



US00D480796S

(12) **United States Design Patent**
Young

(10) **Patent No.:** **US D480,796 S**

(45) **Date of Patent:** **** Oct. 14, 2003**

(54) **COMBINATION CEILING FAN BLADE AND
BLADE ATTACHMENT ASSEMBLY**

(75) Inventor: **Stanfield Young**, Cypress, CA (US)

(73) Assignee: **Minka Lighting, Inc.**, Corona, CA
(US)

(**) Term: **14 Years**

(21) Appl. No.: **29/163,995**

(22) Filed: **Jul. 15, 2002**

(51) **LOC (7) Cl.** **23-04**

(52) **U.S. Cl.** **D23/411**

(58) **Field of Search** D23/411, 413,
D23/377, 379, 385; 416/5, 210 R; 392/364

(56) **References Cited**

U.S. PATENT DOCUMENTS

D408,904 S	*	4/1999	Liu	D23/377
D417,494 S	*	12/1999	Evans	D23/377
D424,187 S	*	5/2000	Lo	D23/377

OTHER PUBLICATIONS

Minka Lighting, Inc.; MinkaAire Two Thousand Two; Apr. 22, 2002; pp. 2, 3; Minka Lighting, Inc.; U.S.A.

* cited by examiner

Primary Examiner—Lisa Lichtenstein

(74) *Attorney, Agent, or Firm*—Jenkins & Gilchrist, P.C.

(57) **CLAIM**

The ornamental design for a combination ceiling fan blade and blade attachment assembly, as shown and described.

DESCRIPTION

FIG. 1 is a perspective view from below of the combination ceiling fan blade and blade attachment assembly in accordance with my design, including the environment thereof;

FIG. 2 is a bottom plan view of the combination ceiling fan blade and blade attachment assembly in accordance with my design, on a reduced scale including the environment thereof;

FIG. 3 is a front elevation view of the combination ceiling fan blade and blade attachment assembly in accordance with my design, on a reduced scale including the environment thereof;

FIG. 4 is a perspective view from above of the combination ceiling fan blade and blade attachment assembly in accordance with my design;

FIG. 5 is a left side elevation of the combination ceiling fan blade and blade attachment assembly in accordance with my design;

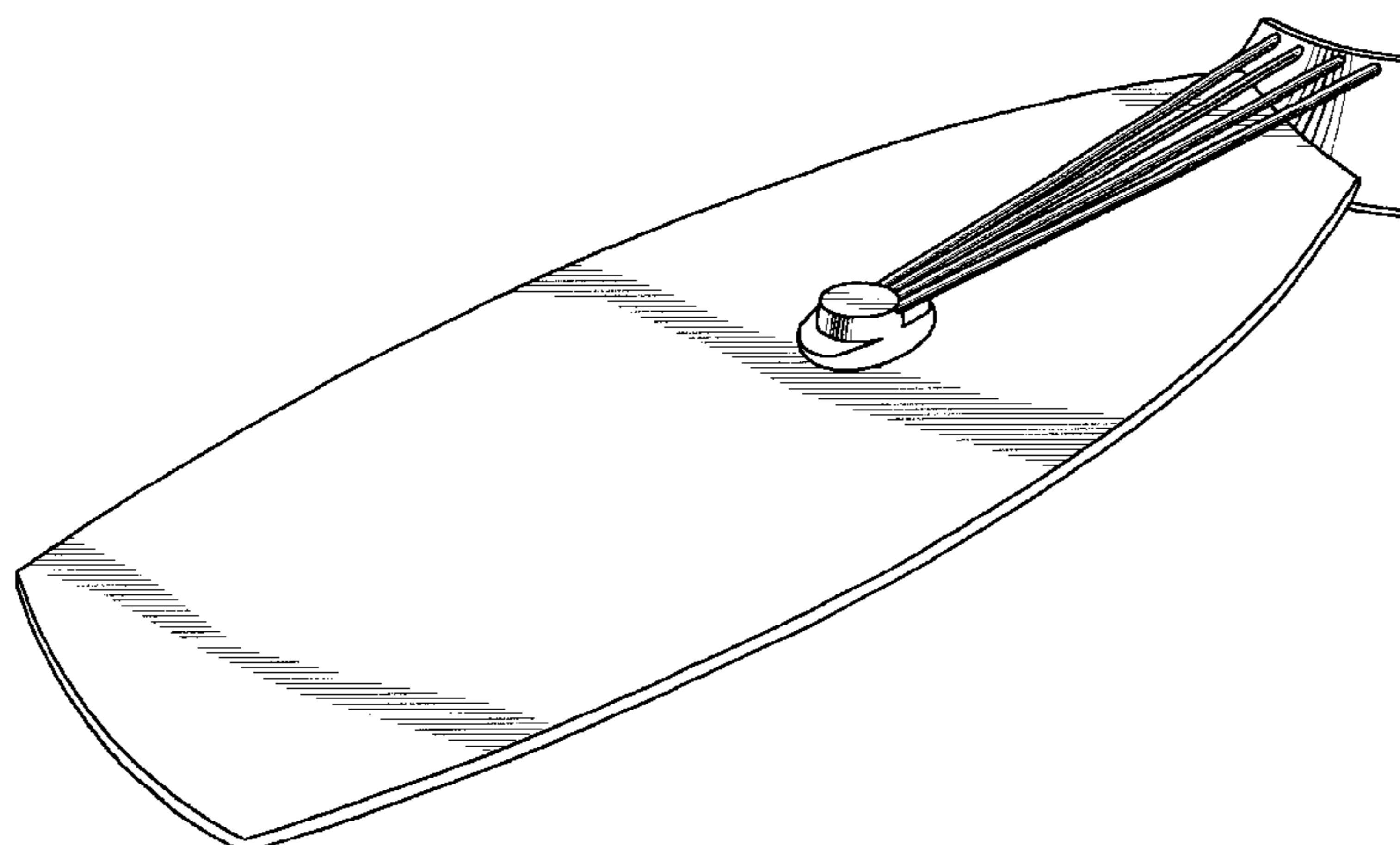
FIG. 6 is a right side elevation view of the bottom side of the combination ceiling fan blade and blade attachment assembly in accordance with my design, turned upright for purposes of illustration;

FIG. 7 is a front end view of the combination ceiling fan blade and blade attachment assembly in accordance with my design; and,

FIG. 8 is a rear end view of the combination ceiling fan blade and blade attachment assembly in accordance with my design.

The broken line showing of environmental structure in FIGS. 1–3 is for illustrative purposes only and forms no part of the claimed design.

1 Claim, 3 Drawing Sheets



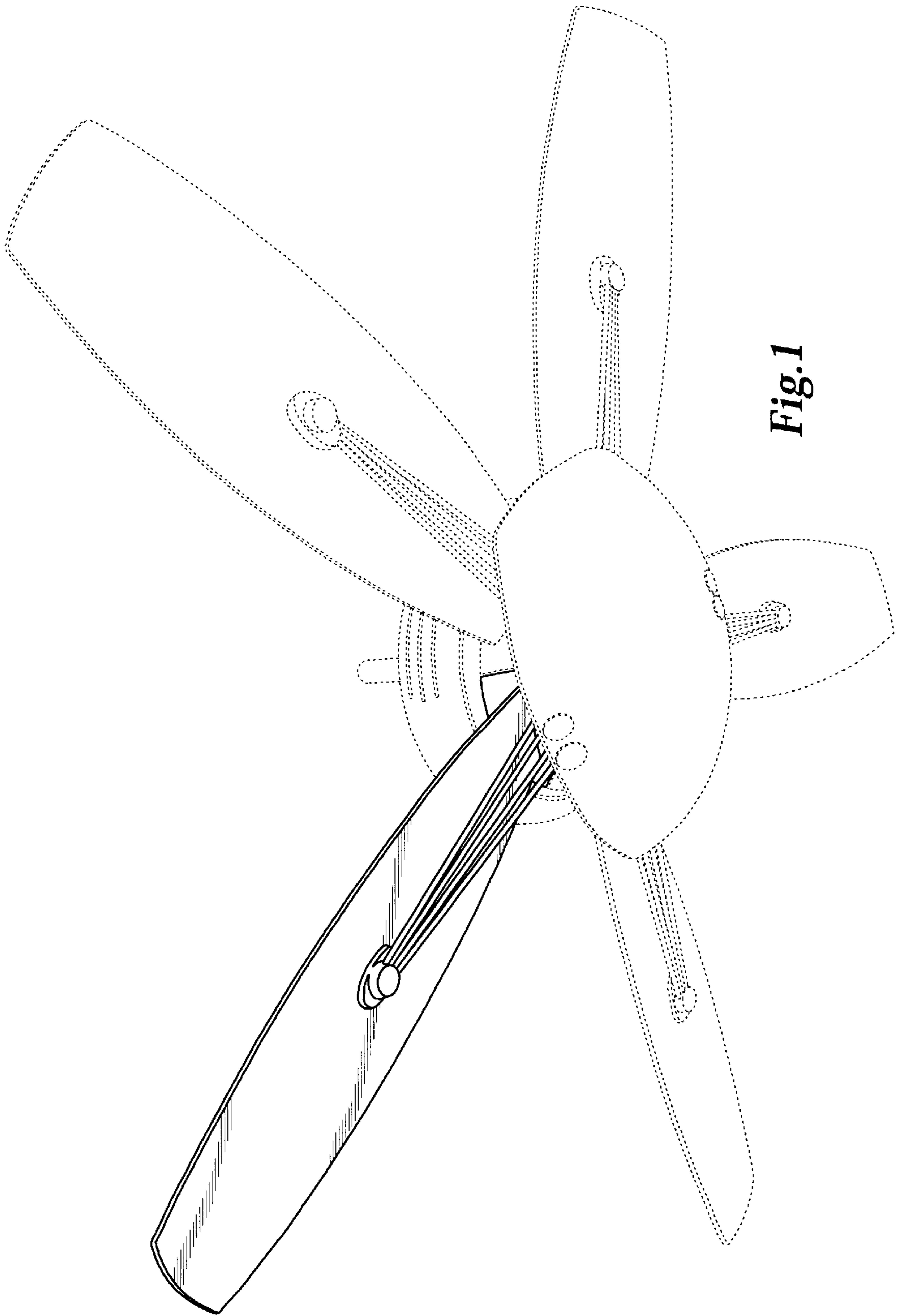


Fig. 1

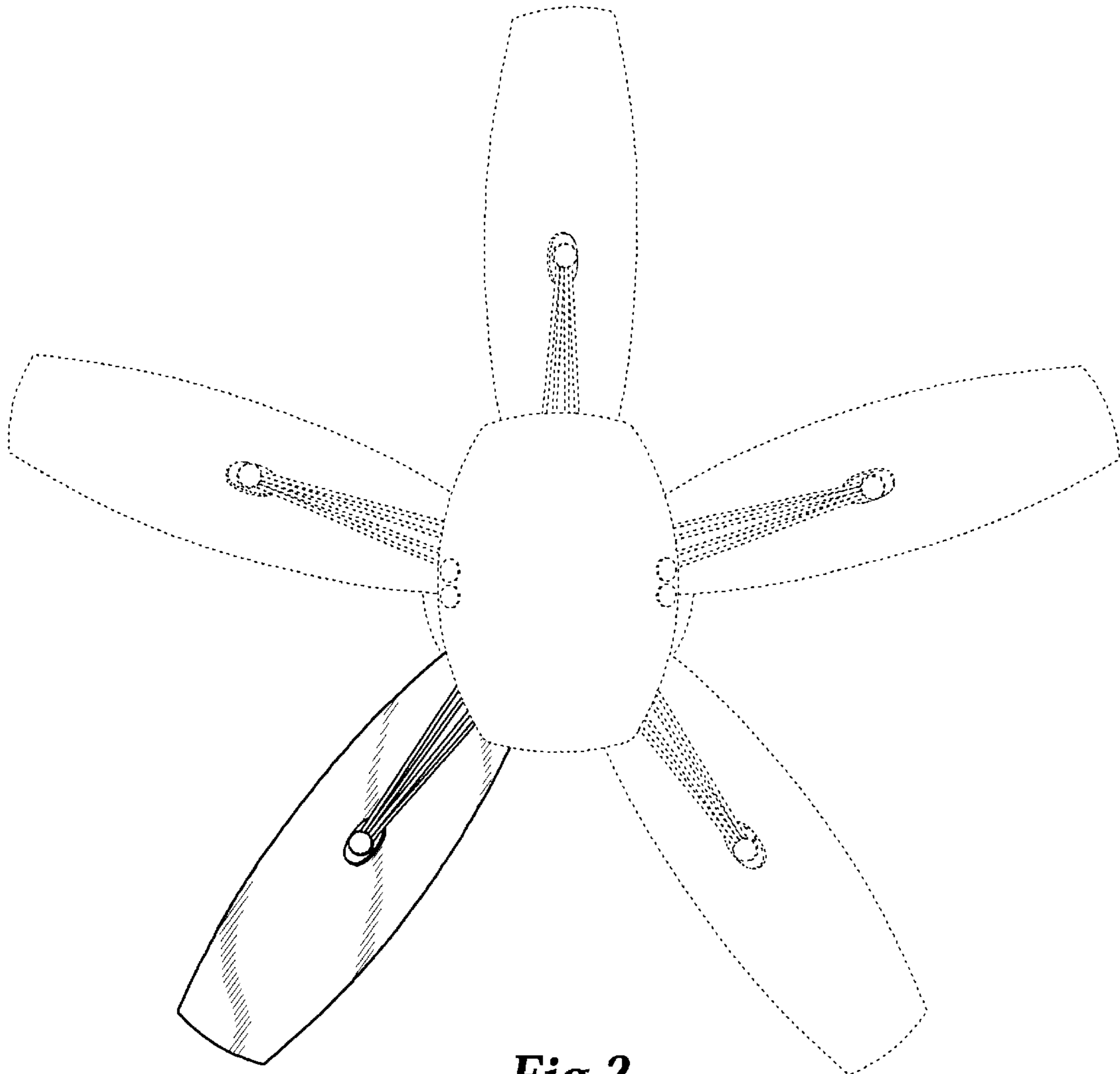


Fig.2

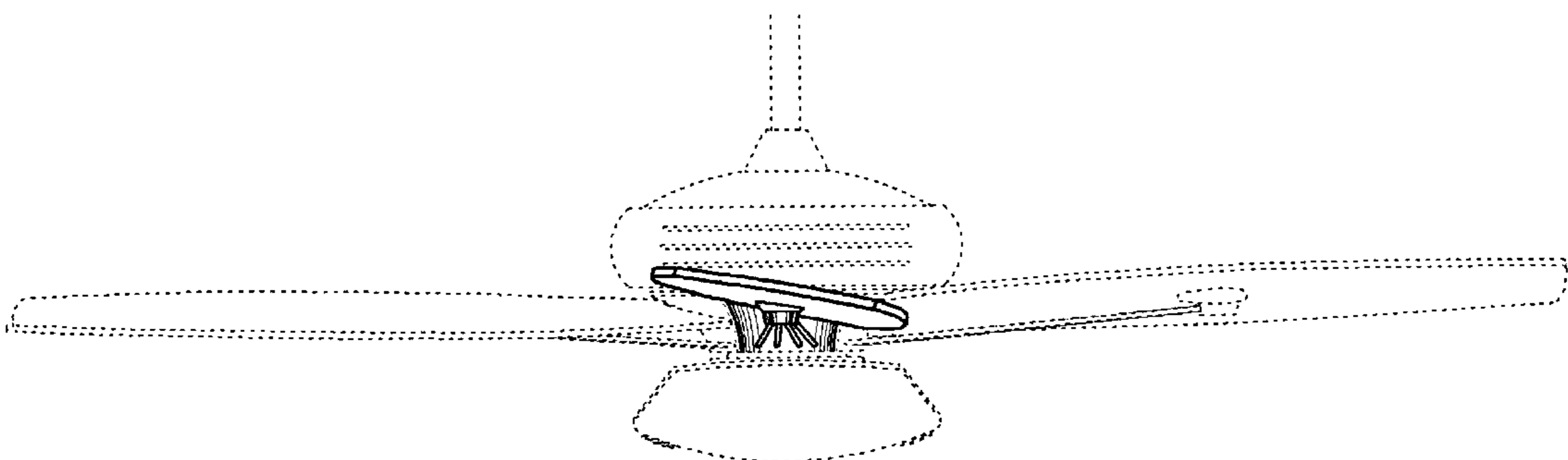


Fig.3

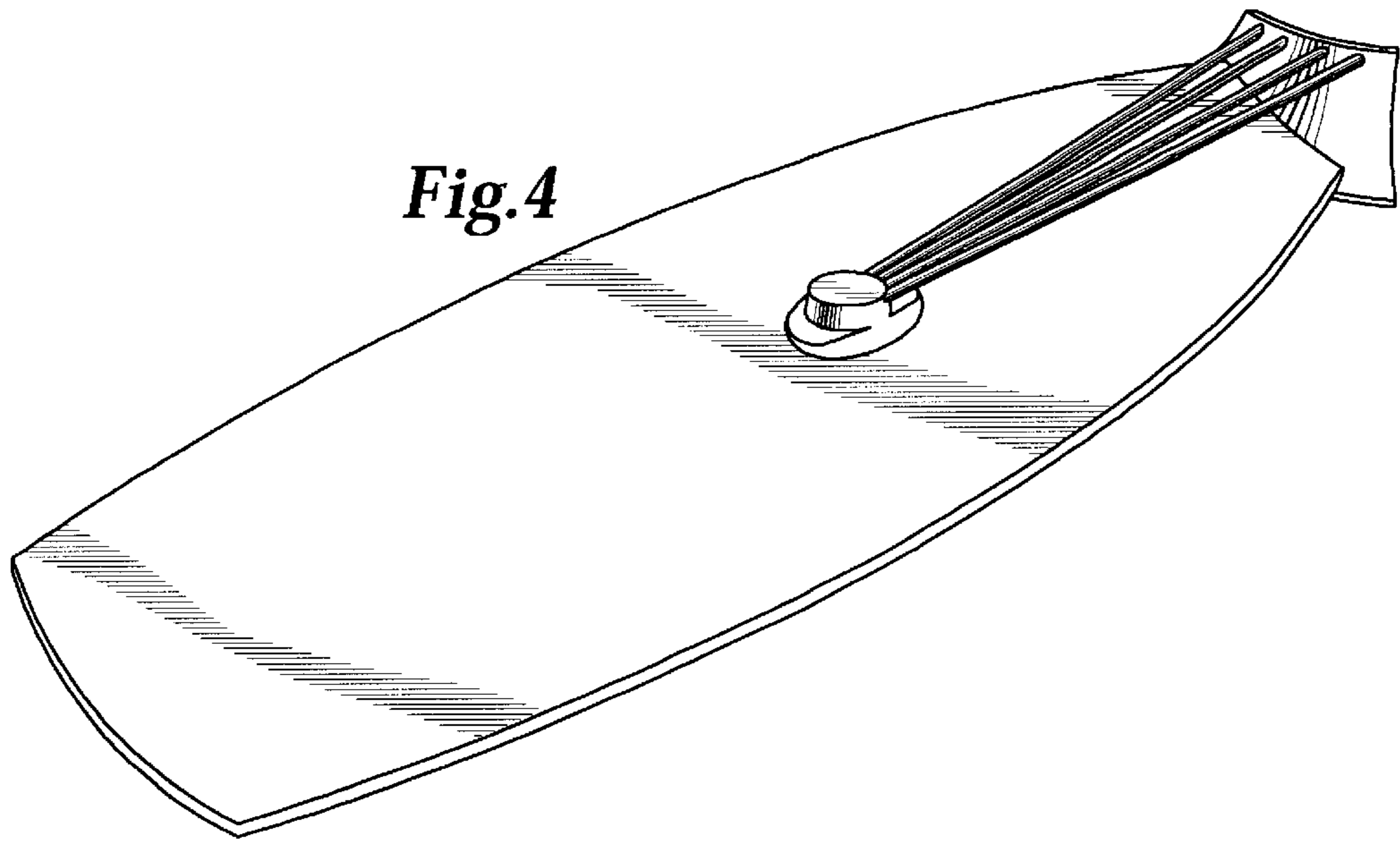


Fig.4

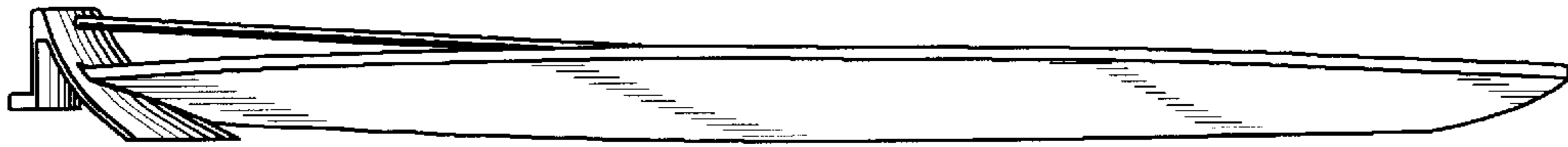


Fig.5

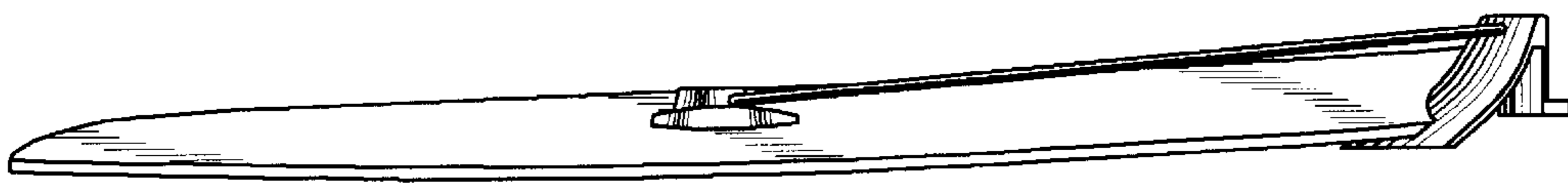


Fig.6

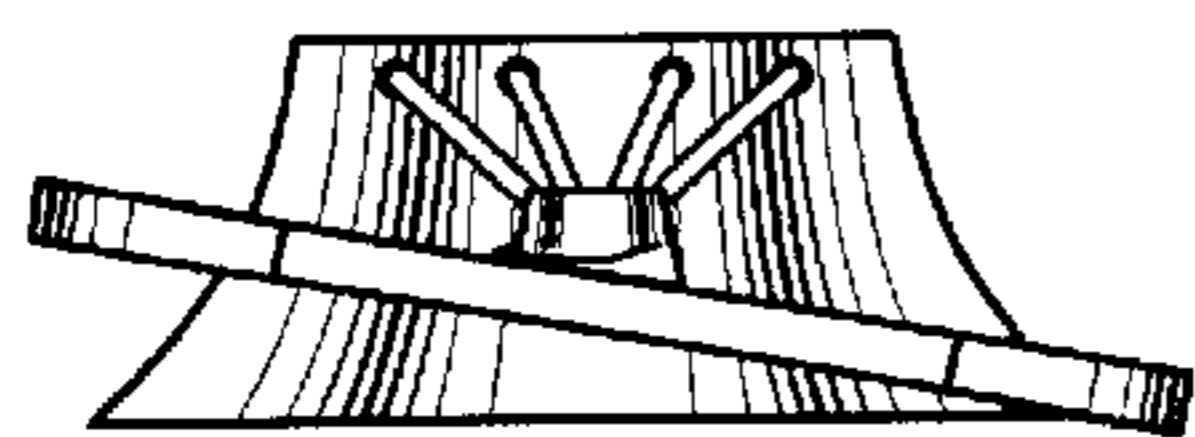


Fig.7

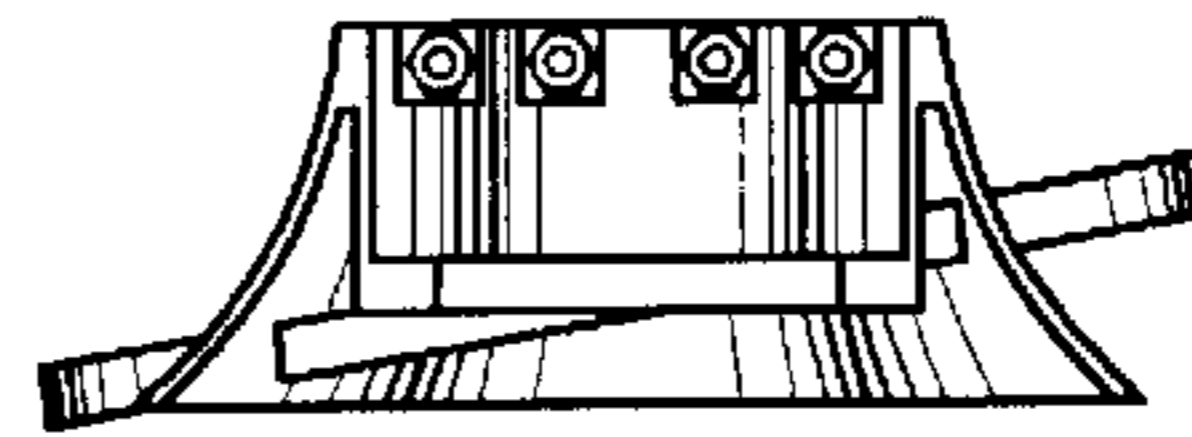


Fig.8