



US00D480794S

(12) **United States Design Patent**
Chen

(10) **Patent No.:** **US D480,794 S**

(45) **Date of Patent:** **** Oct. 14, 2003**

(54) **FAN HOLDER**

D461,238 S * 8/2002 Horng D23/411

(75) **Inventor:** **Li Ping Chen, Tu-Chen (TW)**

* cited by examiner

(73) **Assignee:** **Hon Hai Precision Ind. Co., Ltd.,
Taipei Hsien (TW)**

Primary Examiner—Lisa Lichtenstein
(74) *Attorney, Agent, or Firm*—Wei Te Chung

(**) **Term:** **14 Years**

(57) **CLAIM**

(21) **Appl. No.:** **29/163,849**

The ornamental design for a fan holder, as shown.

(22) **Filed:** **Jul. 12, 2002**

DESCRIPTION

(30) **Foreign Application Priority Data**

Jun. 12, 2002 (CN) 02 3 56938

FIG. 1 is a perspective view of a fan holder of my new design;

(51) **LOC (7) Cl.** **23-04**

FIG. 2 is a front elevational view thereof;

(52) **U.S. Cl.** **D23/411**

FIG. 3 is a rear elevational view thereof;

(58) **Field of Search** D23/411, 379,
D23/370; 361/695, 697; 165/122, 80.3,
121; 454/184

FIG. 4 is a left side elevational view thereof;

FIG. 5 is a right side elevational view thereof;

FIG. 6 is a top plan view thereof; and,

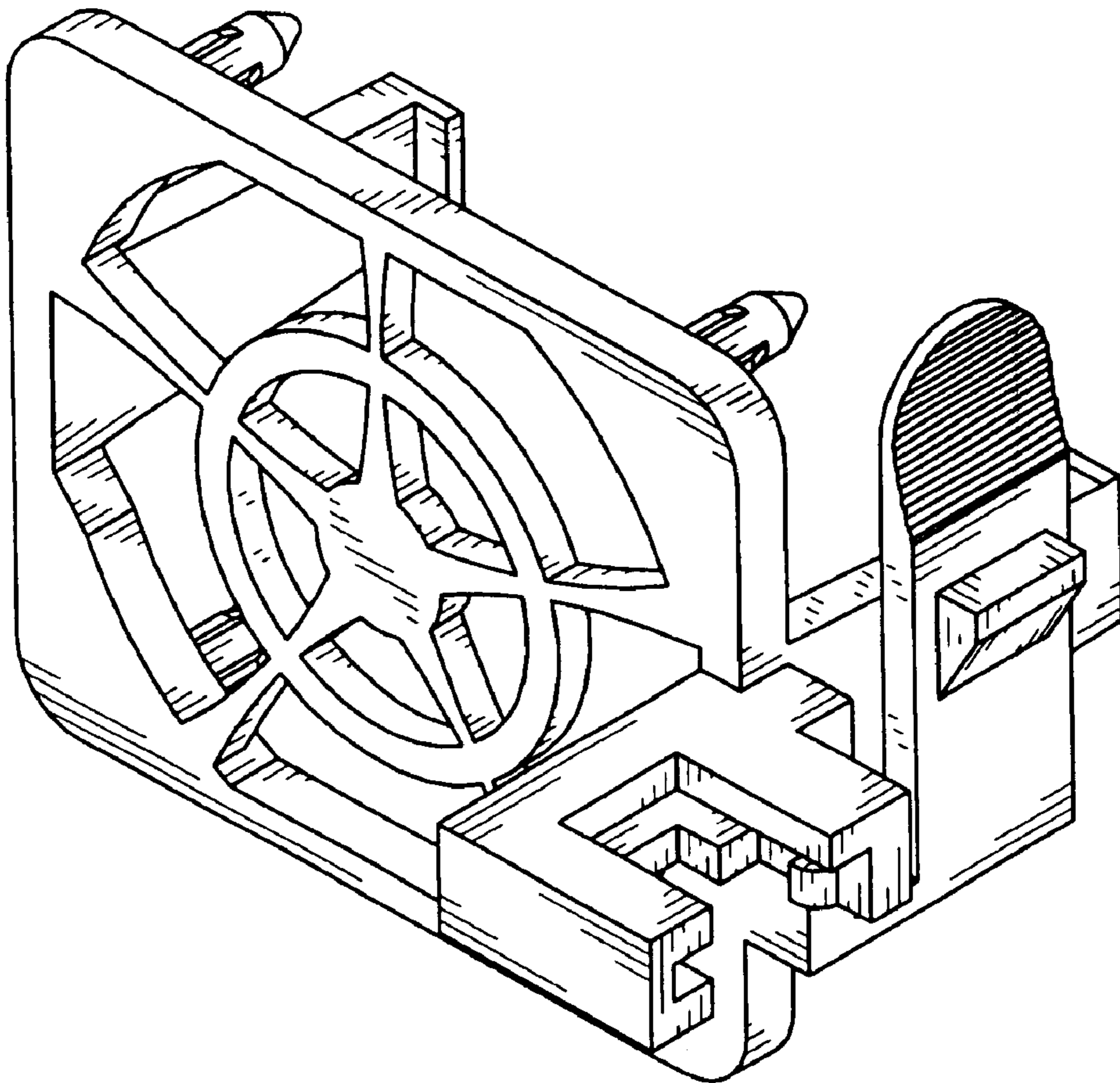
FIG. 7 is a bottom plan view thereof.

(56) **References Cited**

U.S. PATENT DOCUMENTS

6,411,510 B2 * 6/2002 Sasa et al. 361/697

1 Claim, 4 Drawing Sheets



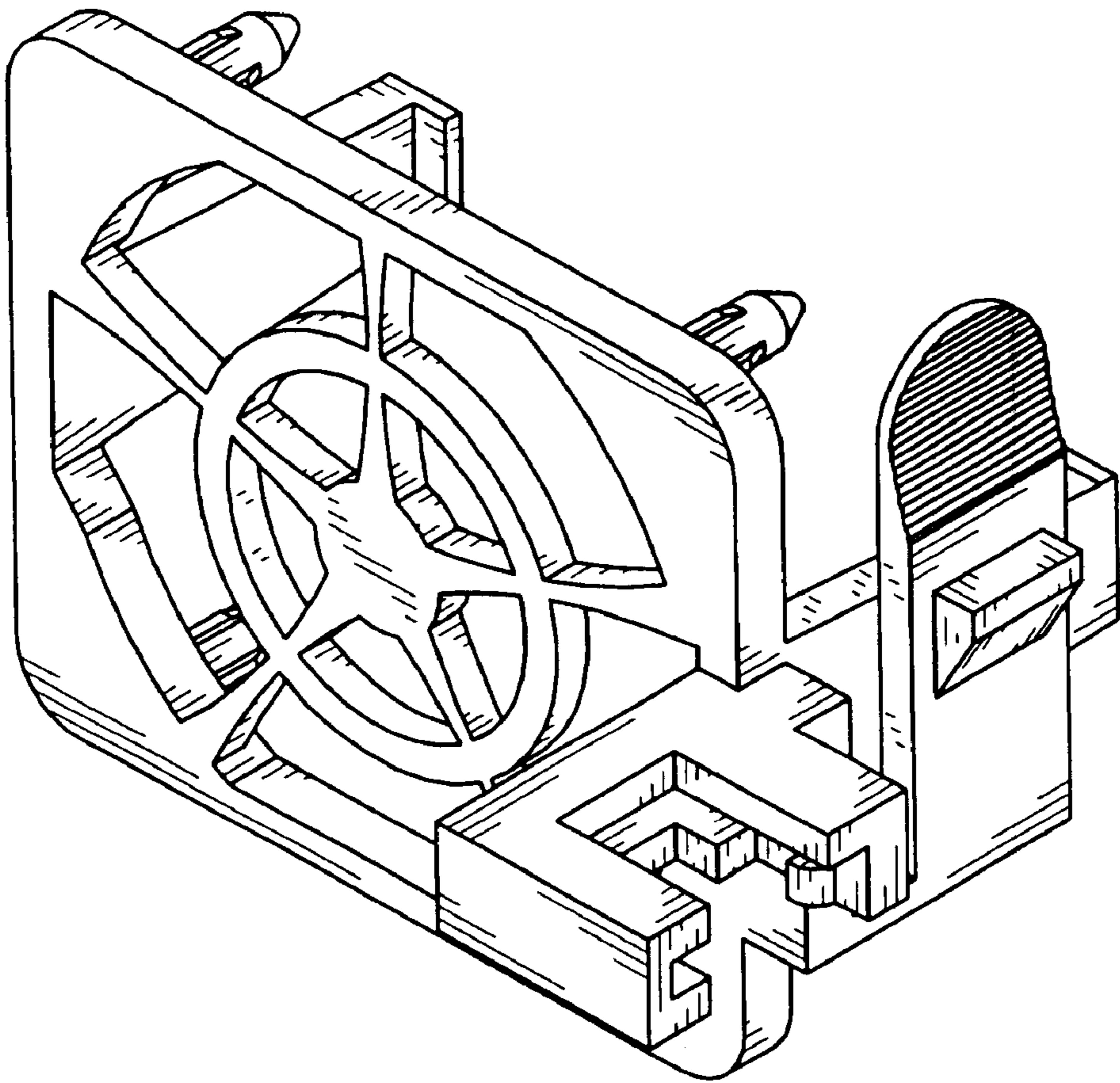


FIG. 1

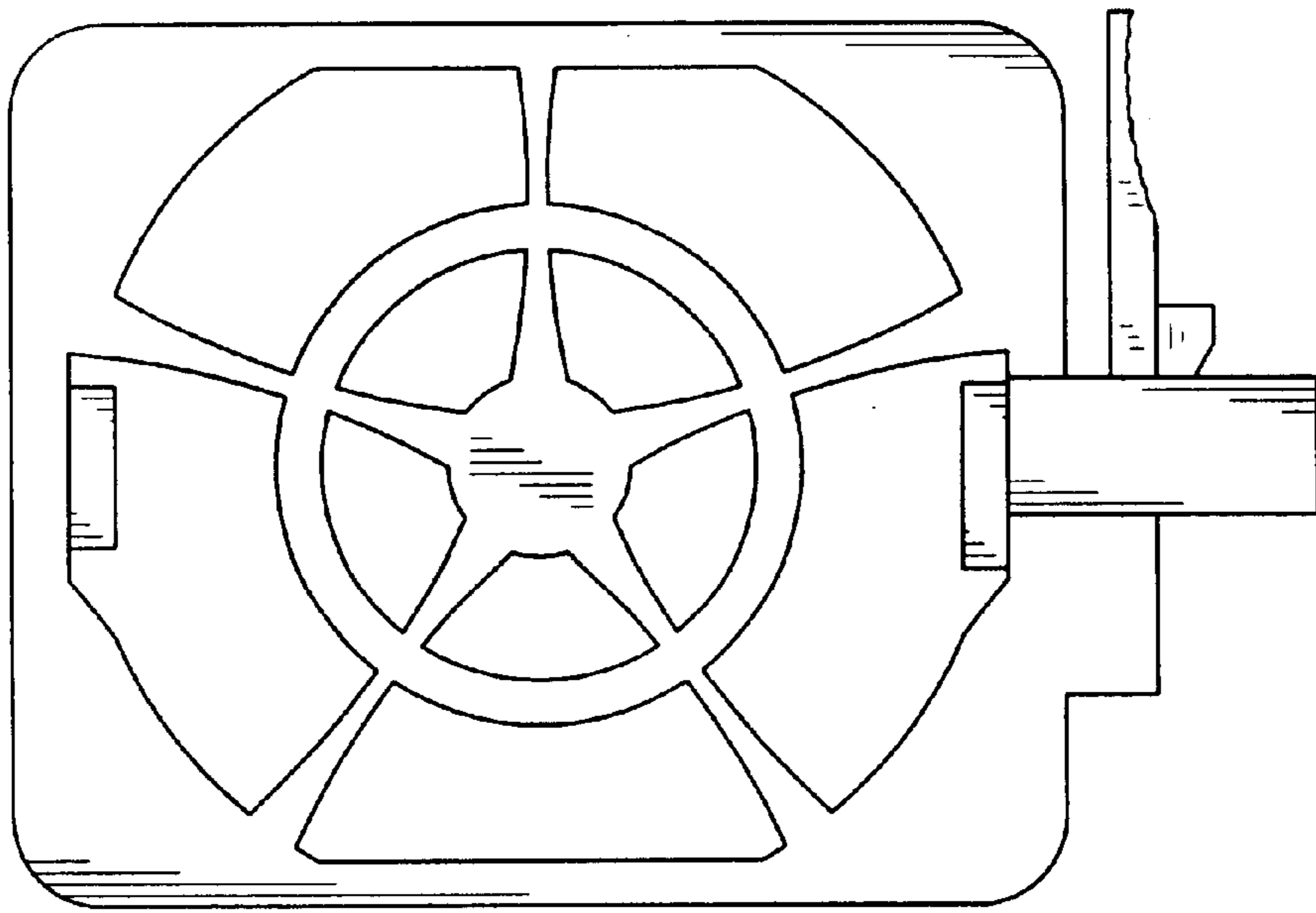


FIG. 2

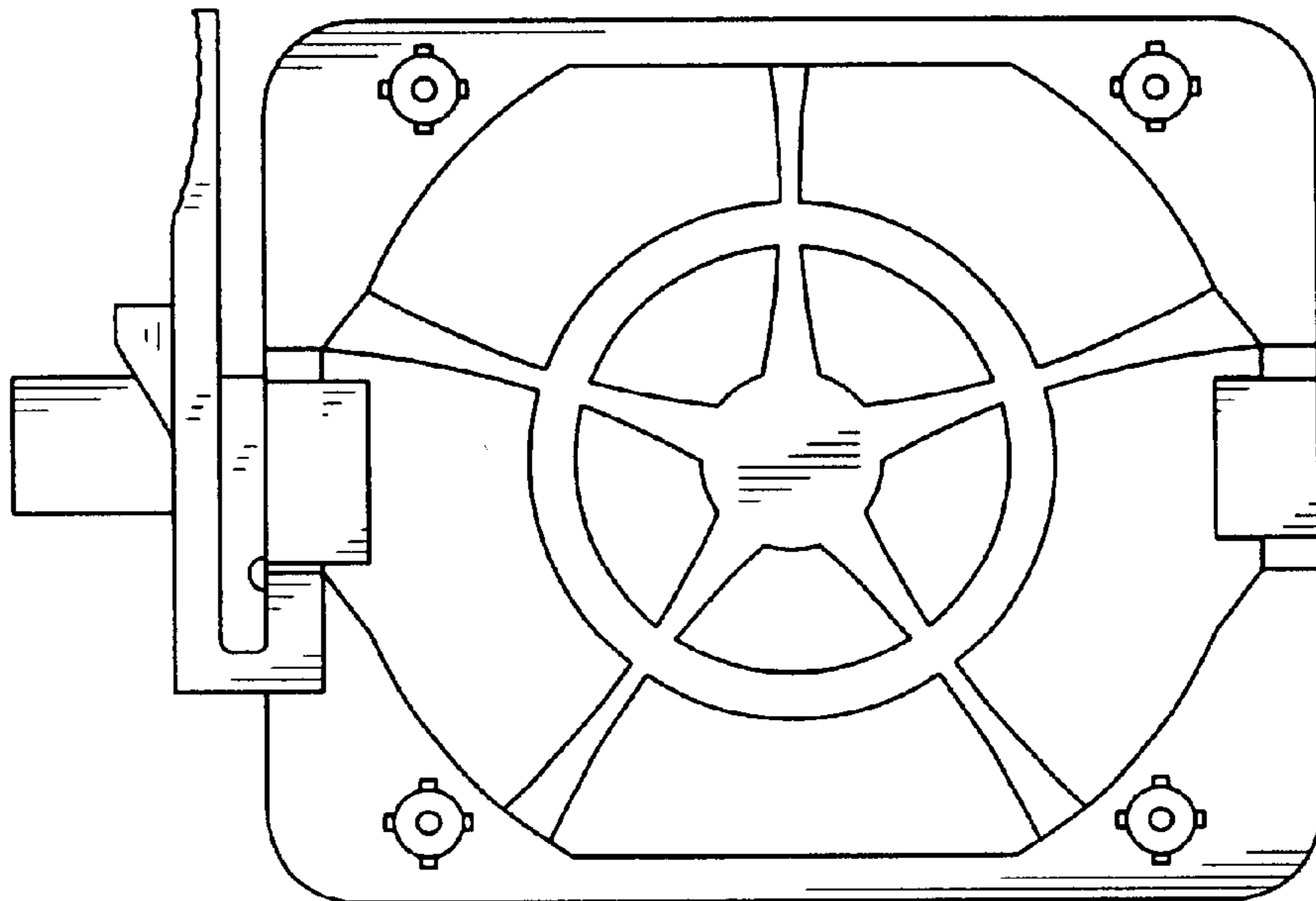


FIG. 3

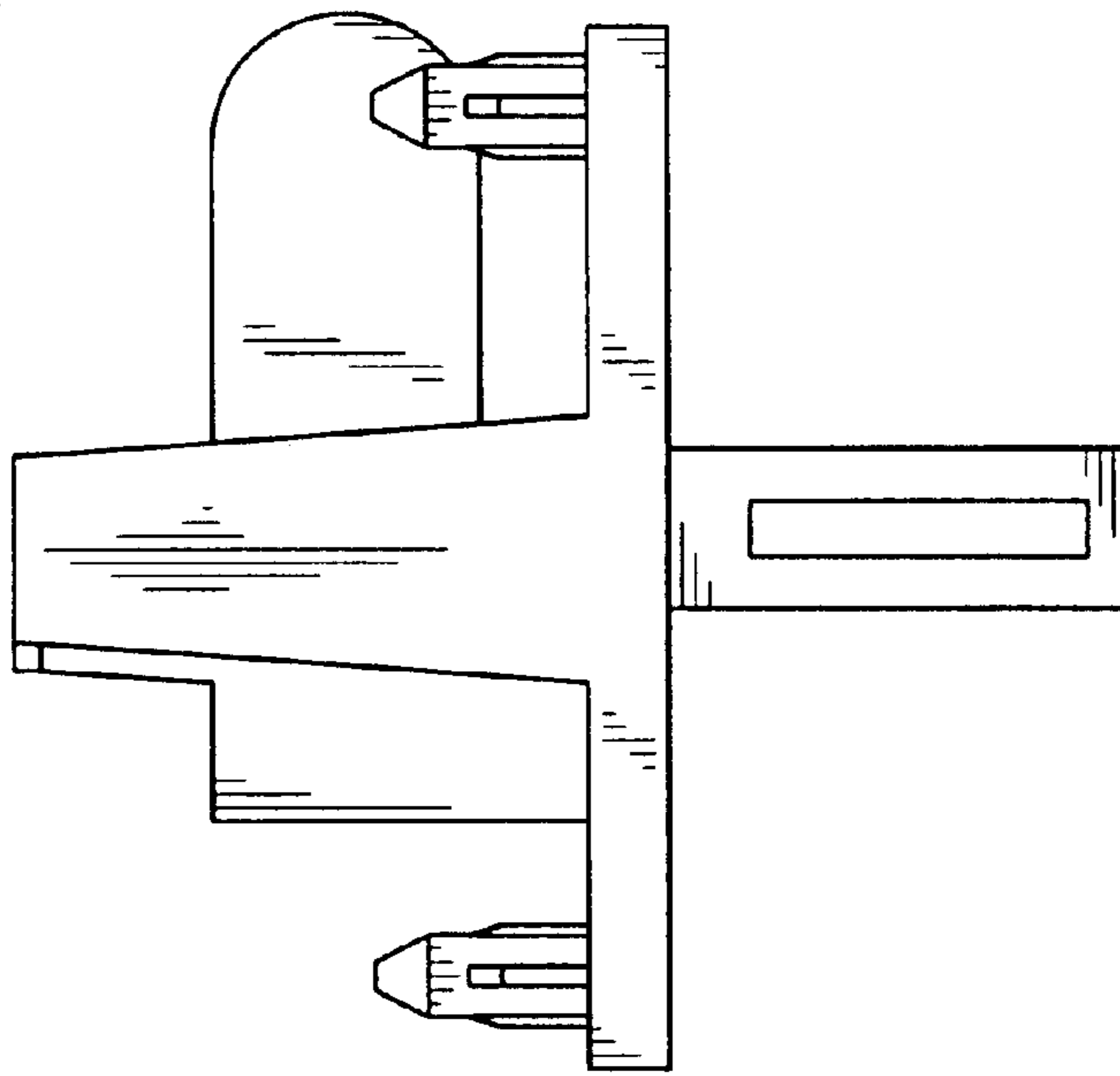


FIG. 4

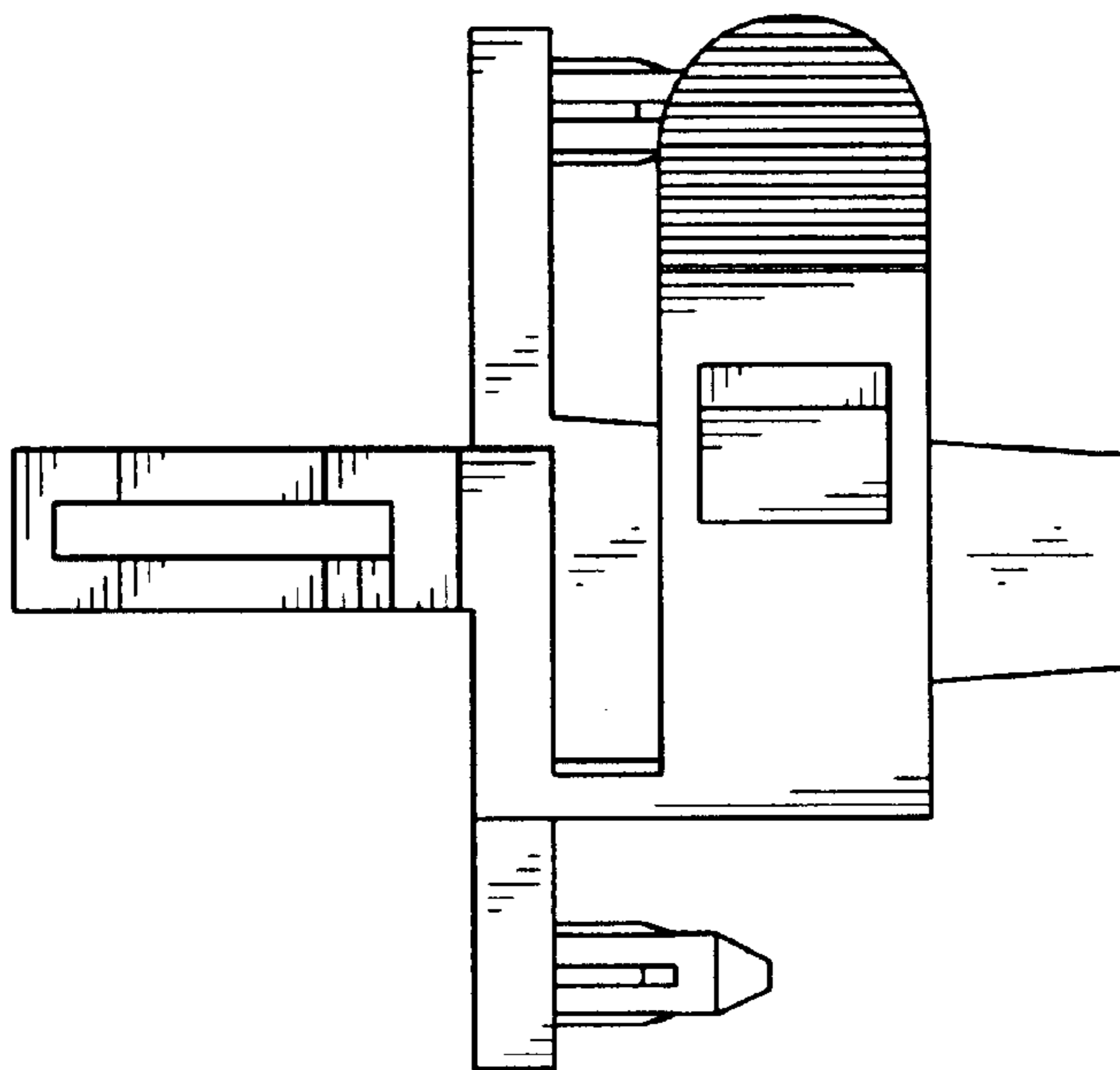


FIG. 5

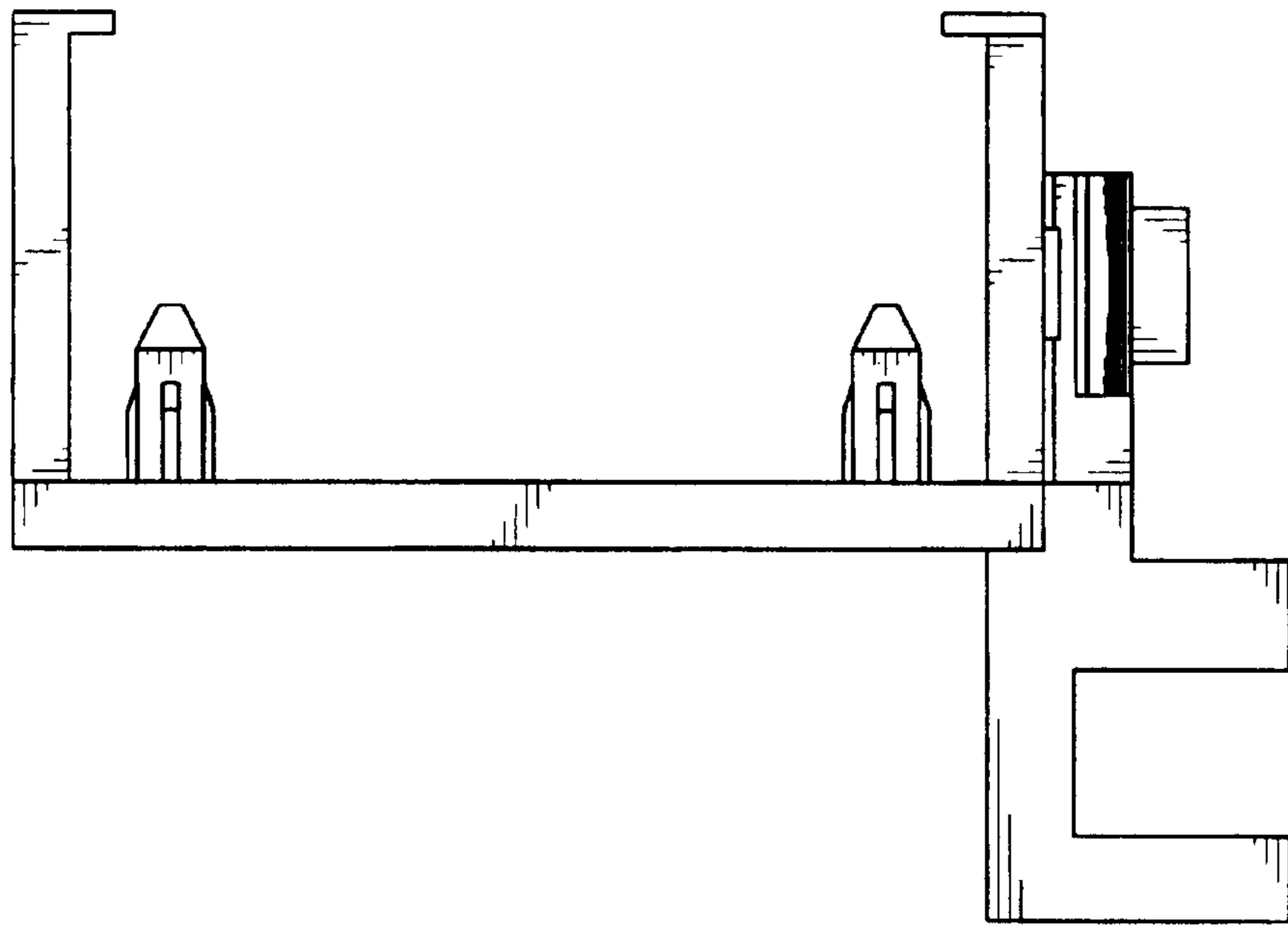


FIG. 6

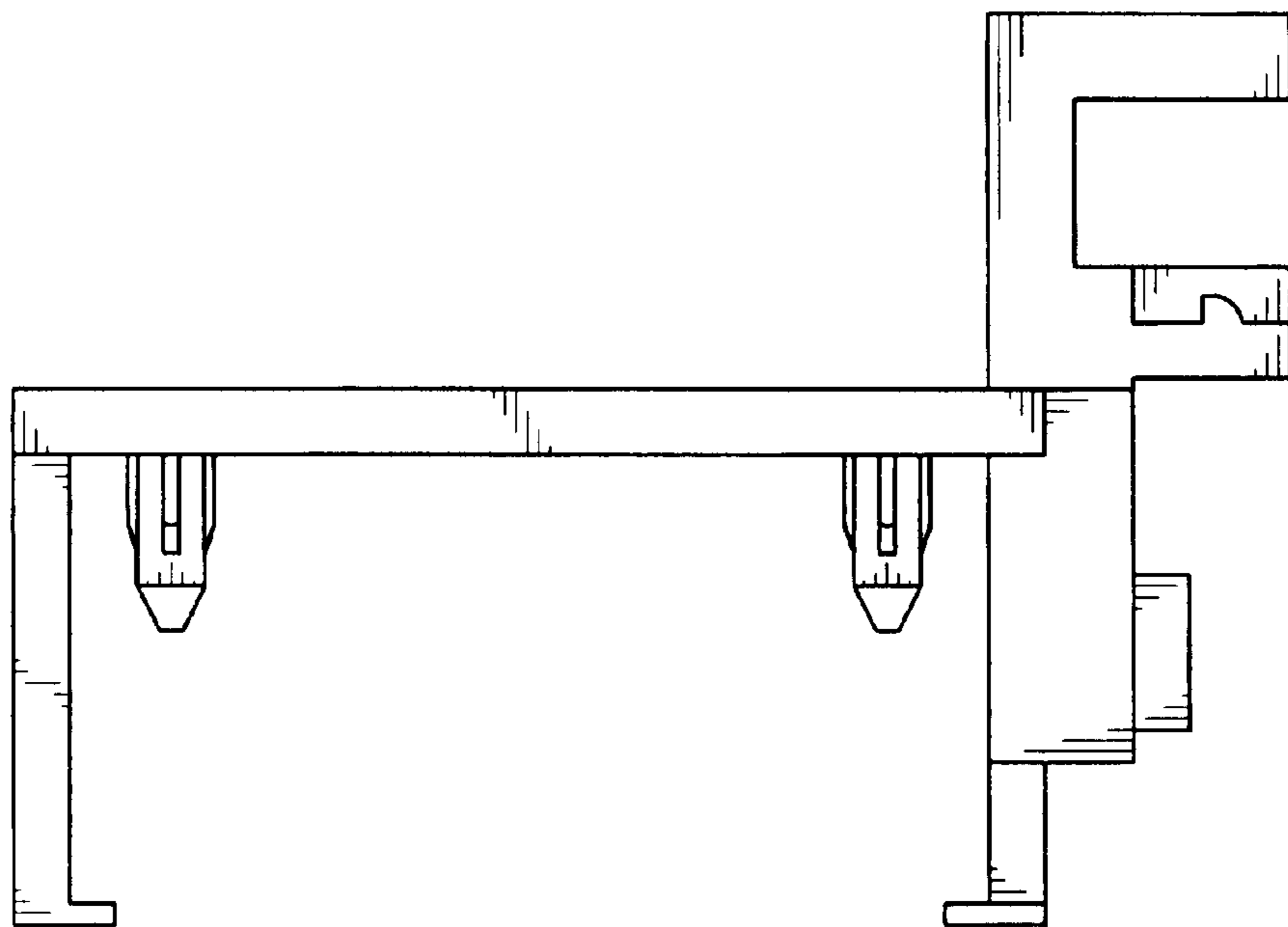


FIG. 7