



US00D480793S

(12) **United States Design Patent**
Burns

(10) **Patent No.:** **US D480,793 S**

(45) **Date of Patent:** **** Oct. 14, 2003**

(54) **CEILING FAN MOTOR HOUSING**

(75) Inventor: **James P. Burns**, Memphis, TN (US)

(73) Assignee: **Hunter Fan Company**, Memphis, TN (US)

(**) Term: **14 Years**

(21) Appl. No.: **29/162,769**

(22) Filed: **Jun. 20, 2002**

(51) **LOC (7) Cl.** **23-04**

(52) **U.S. Cl.** **D23/411**

(58) **Field of Search** D23/411, 377,
D23/379, 385; 416/5; 392/364; 362/96

(56) **References Cited**

U.S. PATENT DOCUMENTS

D464,424 S * 10/2002 Campbell D23/411

* cited by examiner

Primary Examiner—Lisa Lichtenstein
(74) *Attorney, Agent, or Firm*—Baker Donelson

(57) **CLAIM**

The ornamental design for a ceiling fan motor housing, as shown and described.

DESCRIPTION

FIG. 1 is a perspective view of a ceiling fan motor housing showing my new design.

FIG. 2 is a top view on a reduced scale thereof.

FIG. 3 is a bottom view on a reduced scale thereof.

FIG. 4 is a front view thereof, the rear view being the same thereas; and,

FIG. 5 is a right side view thereof, the left side view being the same thereas.

1 Claim, 3 Drawing Sheets

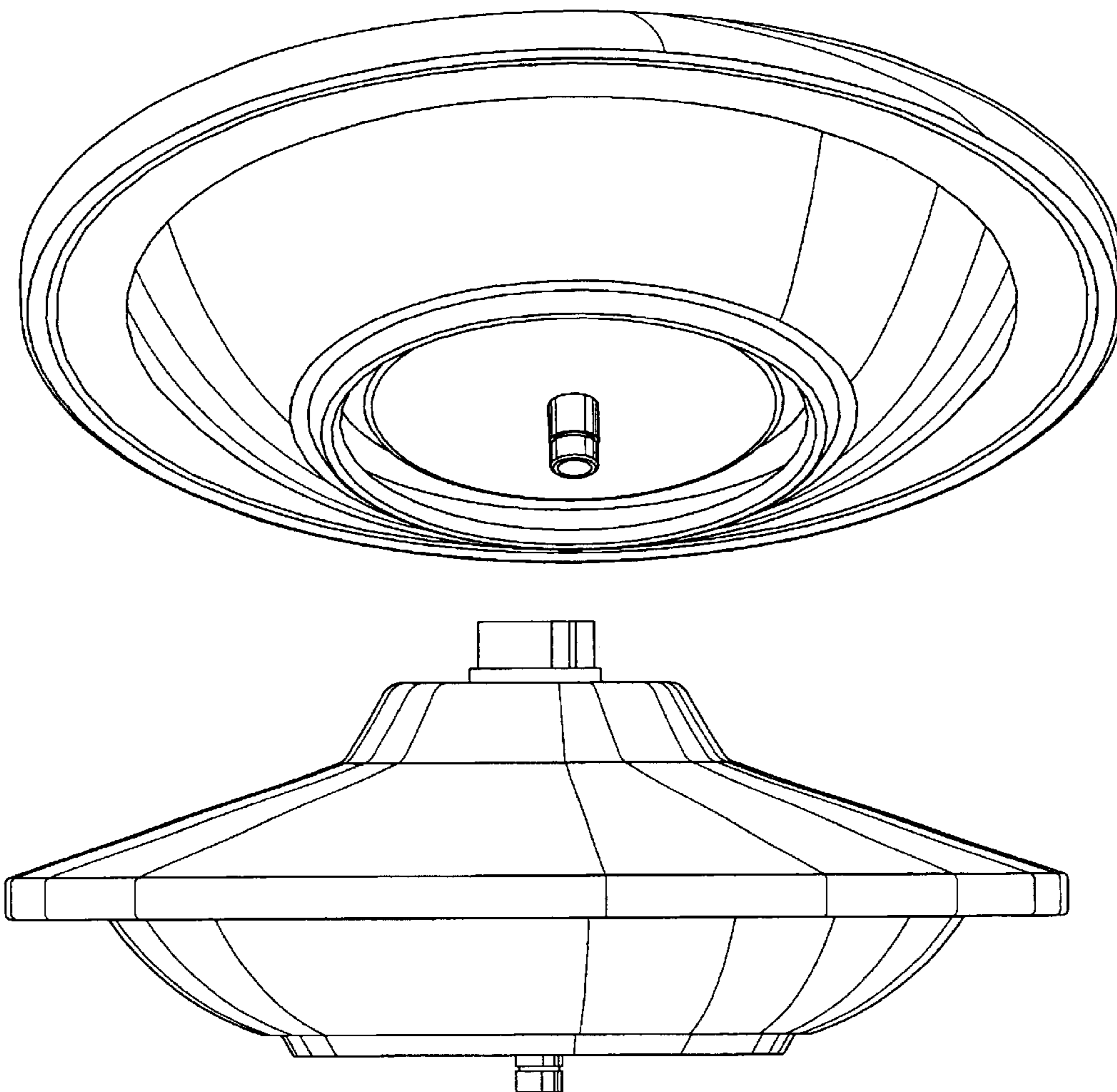


Fig. 1

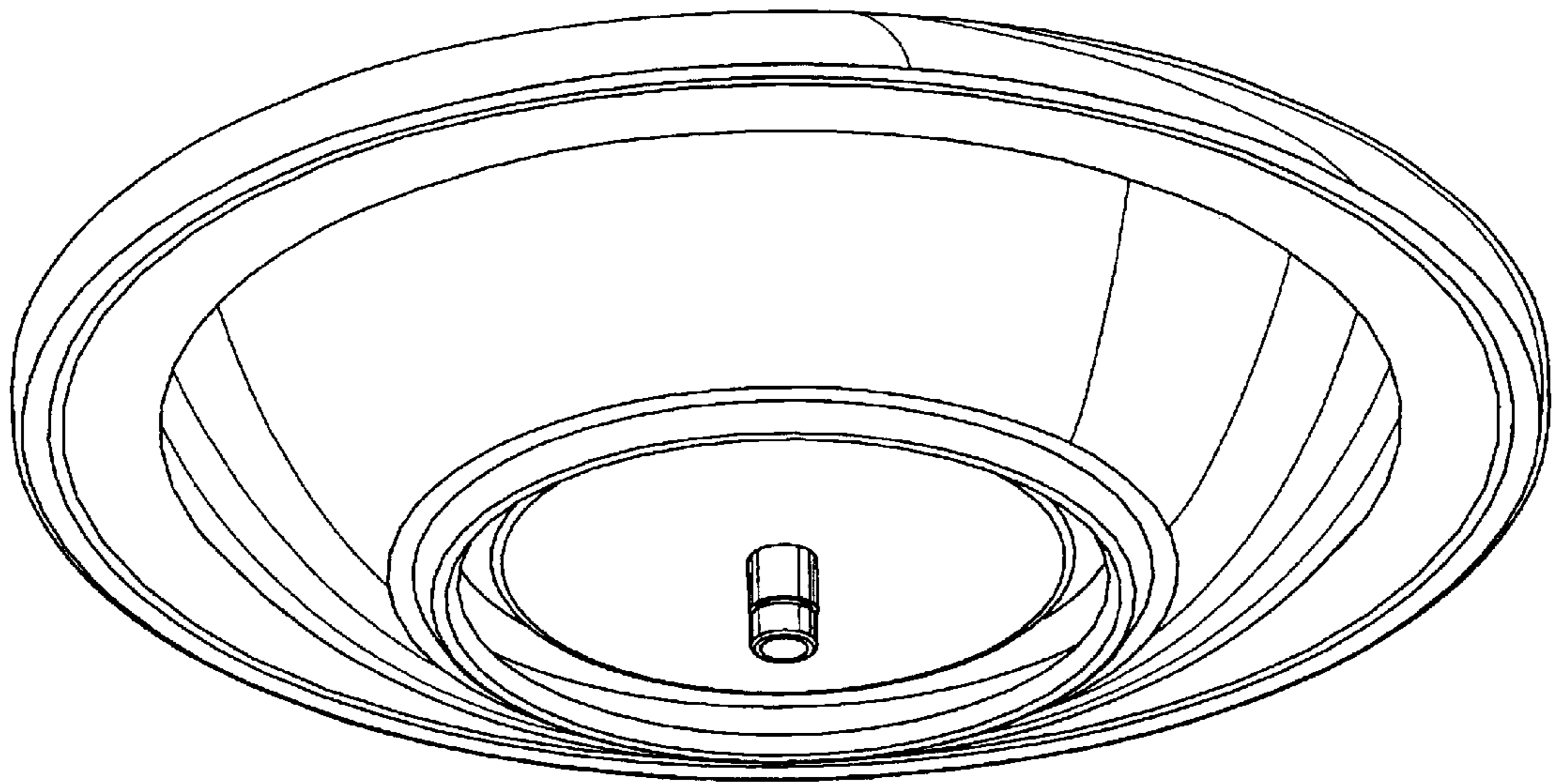


Fig. 2

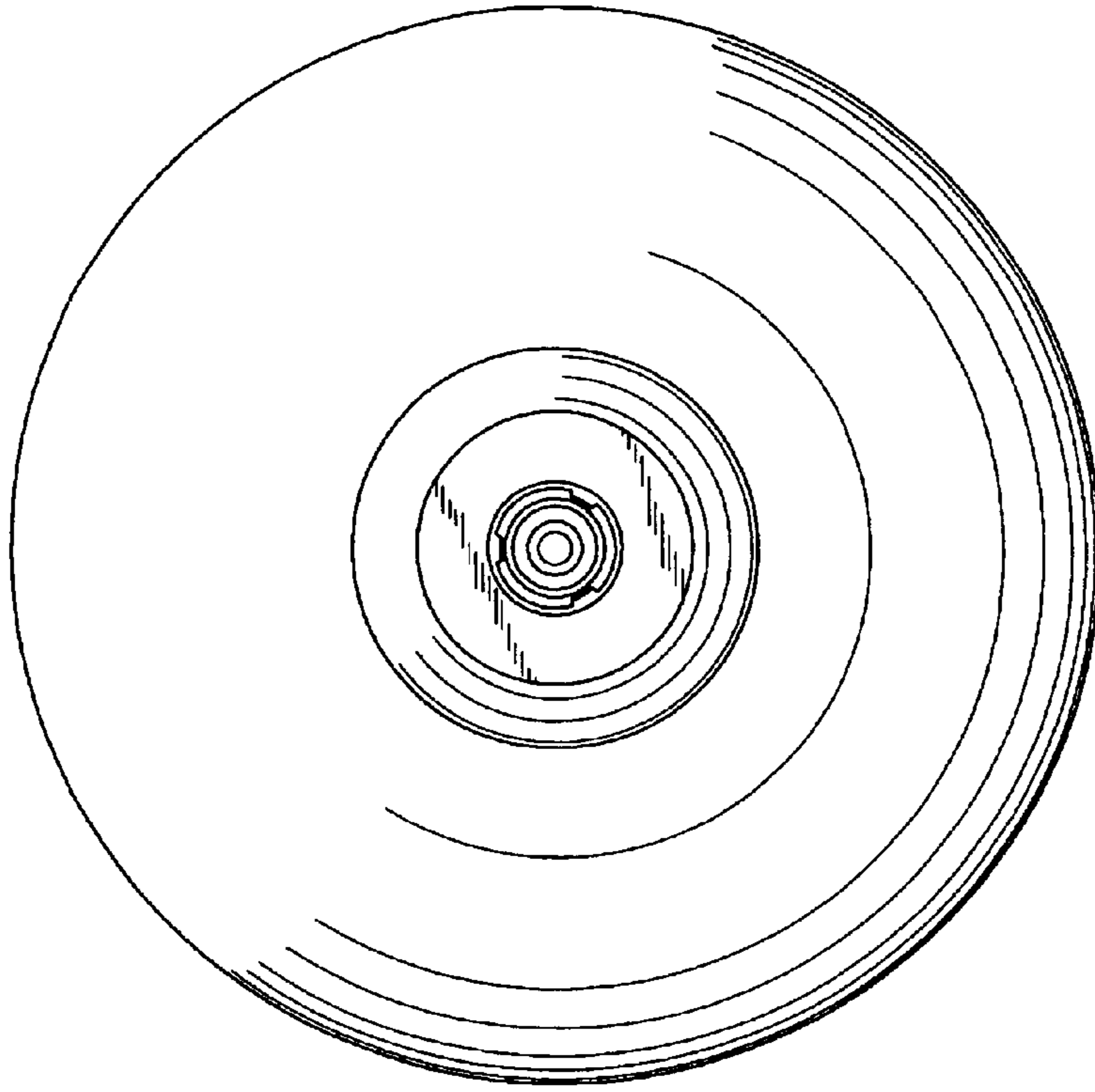


Fig. 3

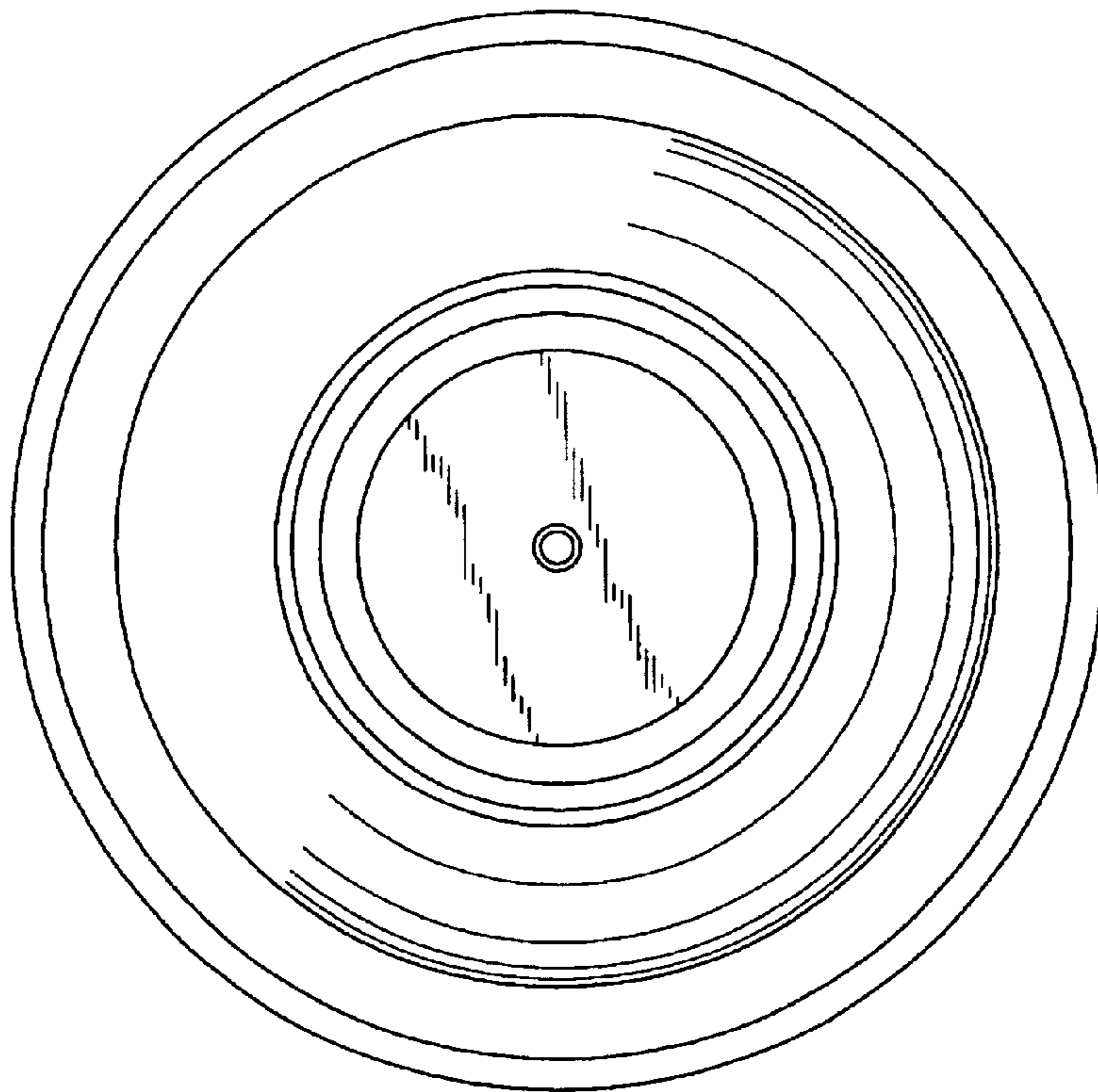


Fig. 4

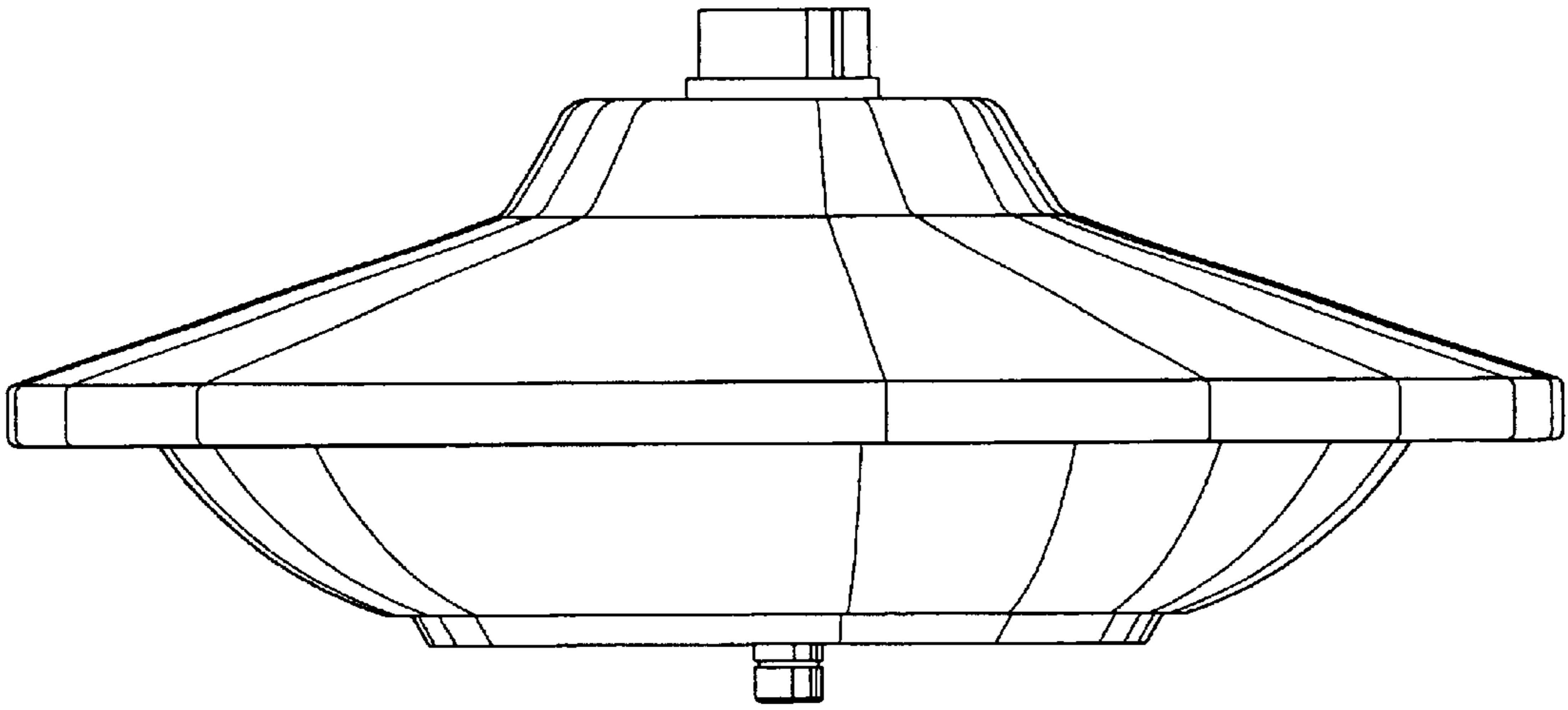


Fig. 5

