



US00D480792S

(12) **United States Design Patent**  
**Millan**

(10) **Patent No.:** **US D480,792 S**

(45) **Date of Patent:** **\*\* Oct. 14, 2003**

(54) **EVAPORATOR OF ACTIVE SUBSTANCES**

(75) Inventor: **Jordi Basagañas Millan**, Barcelona (ES)

(73) Assignee: **DBK Espana, S.A.**, Barcelona (ES)

(\*\*) Term: **14 Years**

(21) Appl. No.: **29/174,206**

(22) Filed: **Jan. 14, 2003**

(30) **Foreign Application Priority Data**

Dec. 12, 2002 (ES) ..... 155764

(51) **LOC (7) Cl.** ..... **23-04**

(52) **U.S. Cl.** ..... **D23/366**

(58) **Field of Search** ..... D23/366-369,  
D23/356-363; 392/390, 392; 239/135, 136,  
58; 261/DIG. 17, DIG. 65; 96/97

(56) **References Cited**

**U.S. PATENT DOCUMENTS**

D432,222 S \* 10/2000 Rymer et al. .... D23/366

D449,101 S \* 10/2001 Wolpert et al. .... D23/366

D461,549 S \* 8/2002 Garcia ..... D23/360

\* cited by examiner

*Primary Examiner*—Lisa Lichtenstein

(74) *Attorney, Agent, or Firm*—Katten Muchin Zavis  
Rosenman

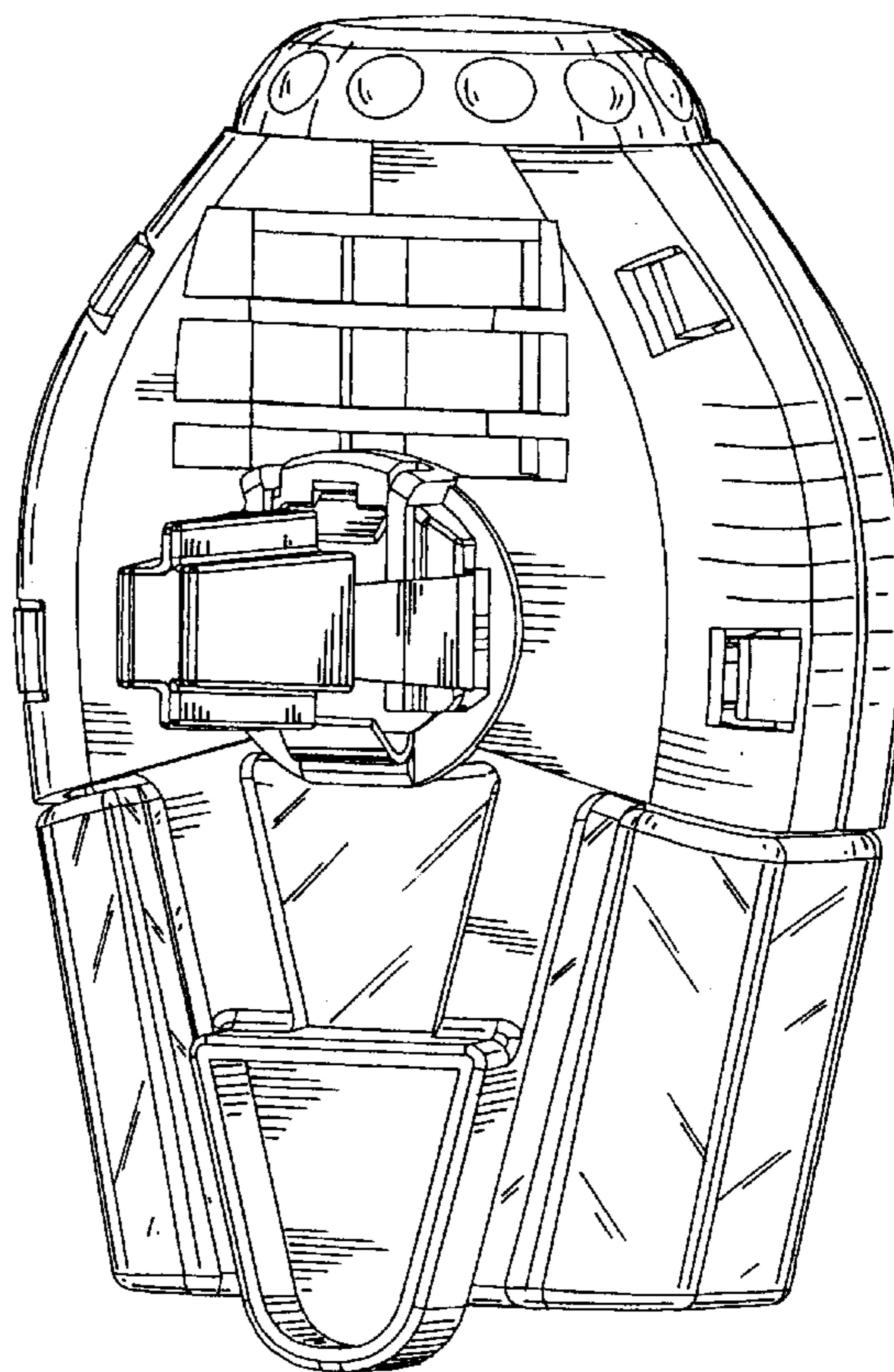
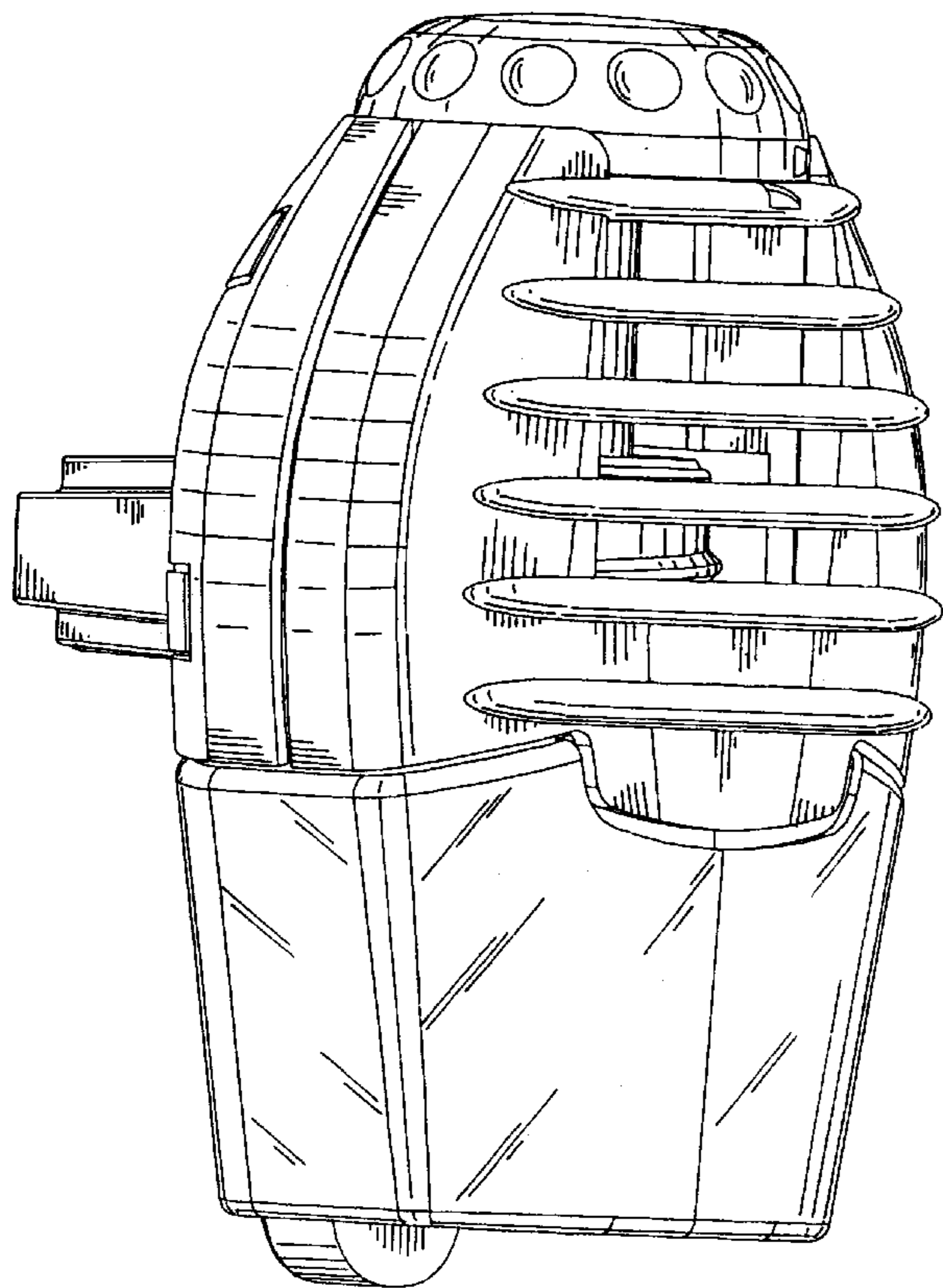
(57) **CLAIM**

The ornamental design for an evaporator of active substances, as shown and described.

**DESCRIPTION**

FIG. 1 is a front perspective view of an evaporator of active substances of the design of the present invention;  
FIG. 2 is a rear perspective view thereof;  
FIG. 3 is a front elevation thereof;  
FIG. 4 is a right side elevation thereof;  
FIG. 5 is a top view thereof;  
FIG. 6 is a left side elevation thereof; and,  
FIG. 7 is a bottom view thereof.

**1 Claim, 7 Drawing Sheets**



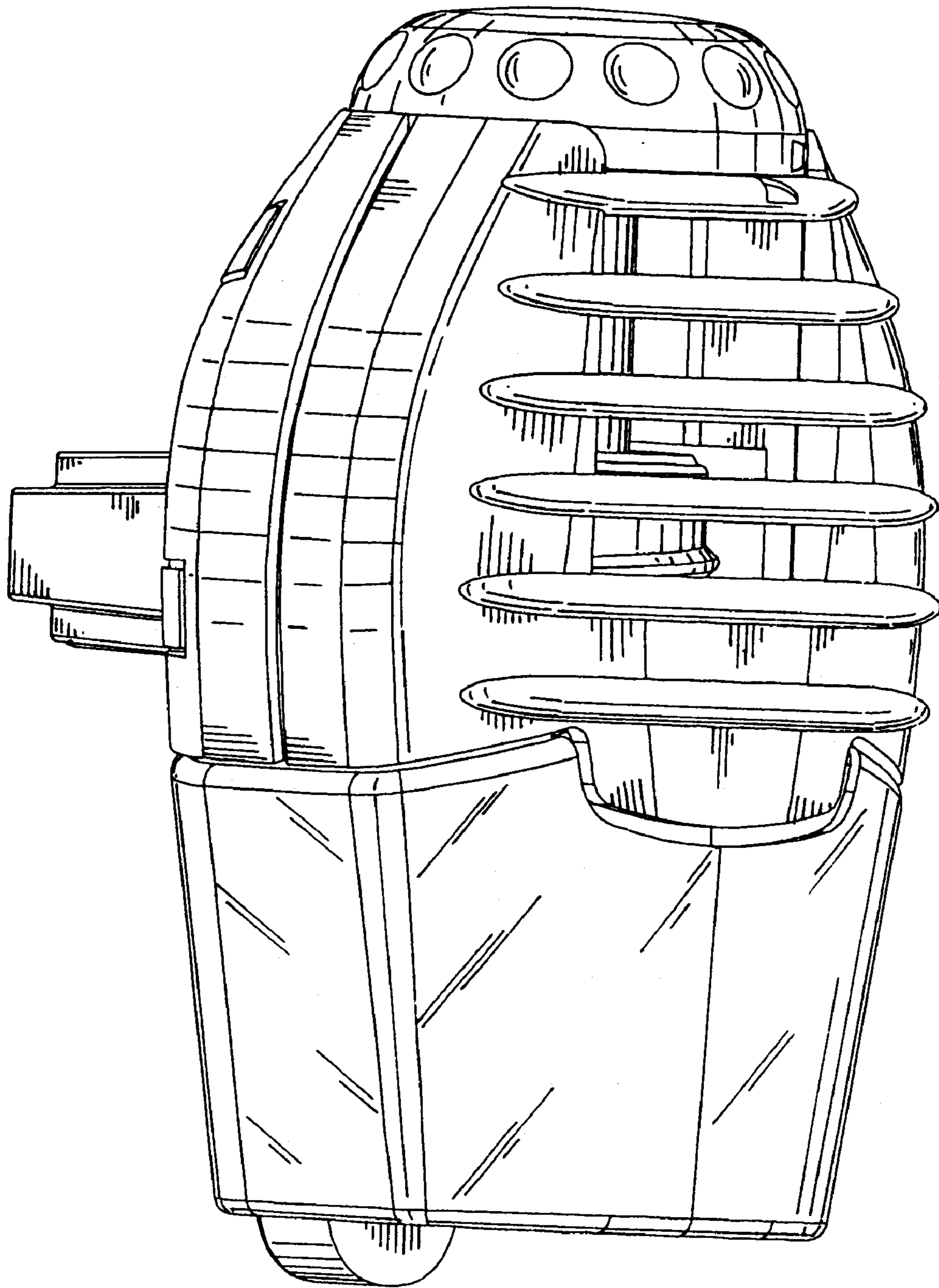


FIG. 1

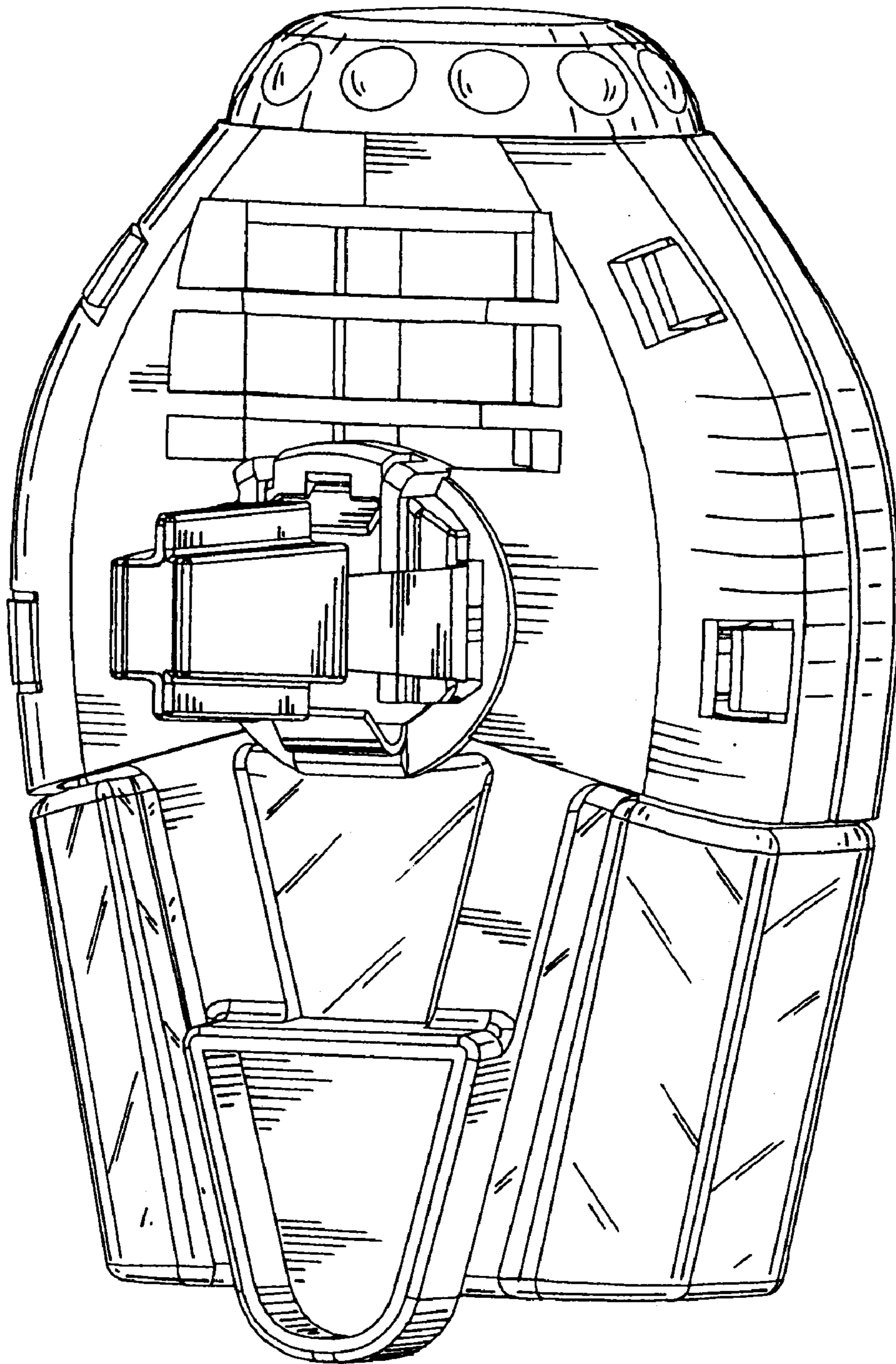


FIG. 2

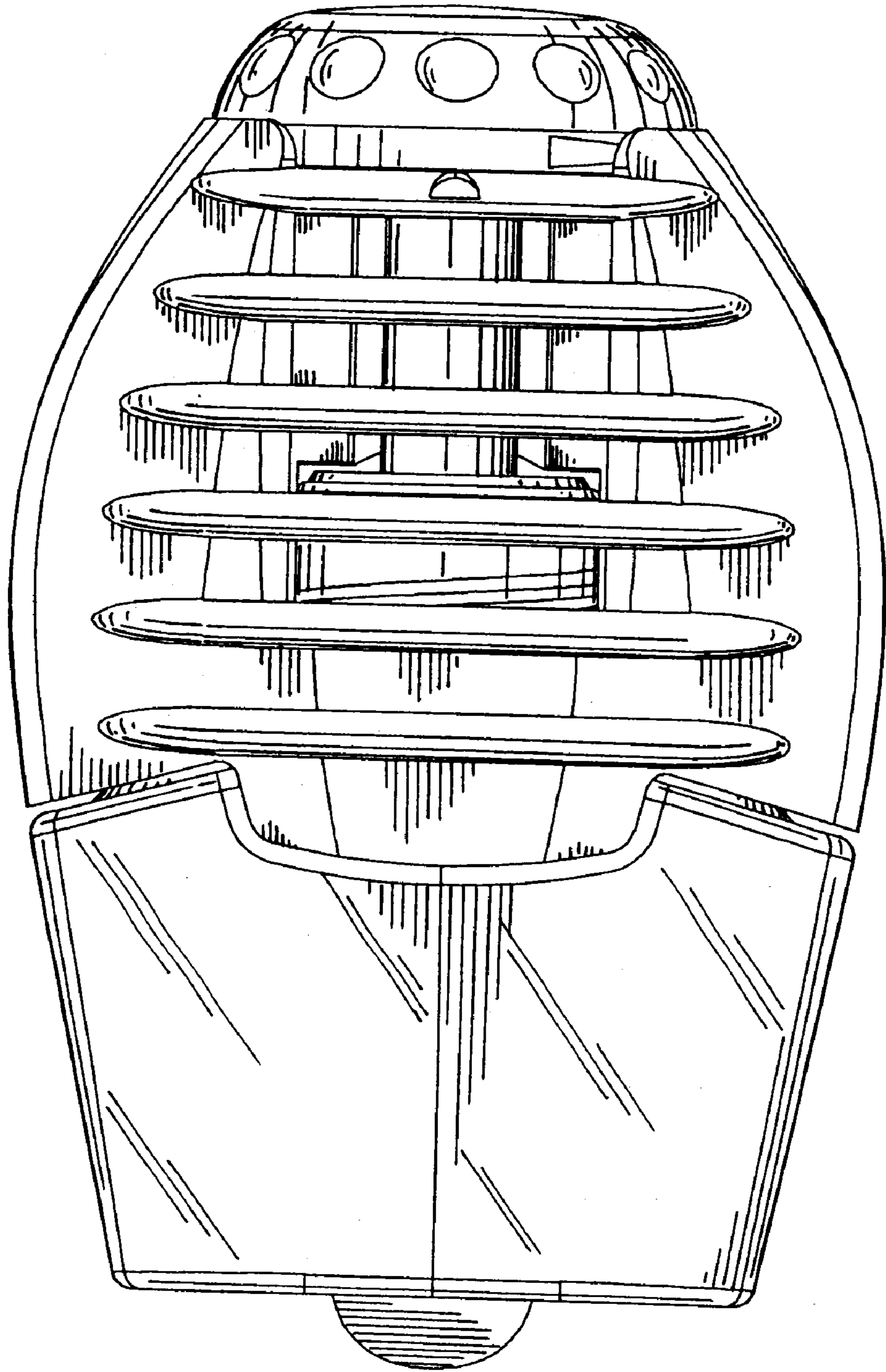


FIG. 3

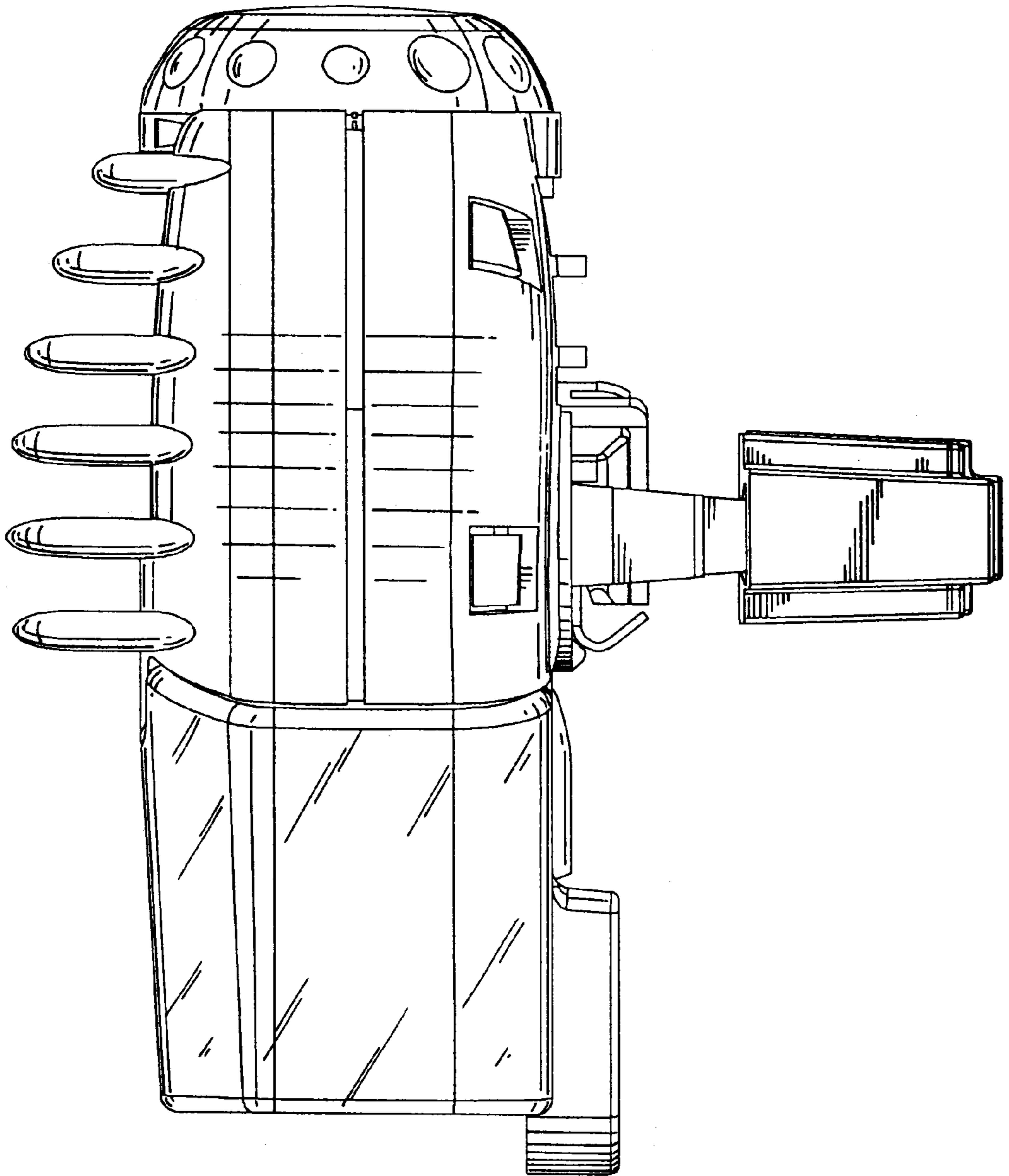


FIG.4

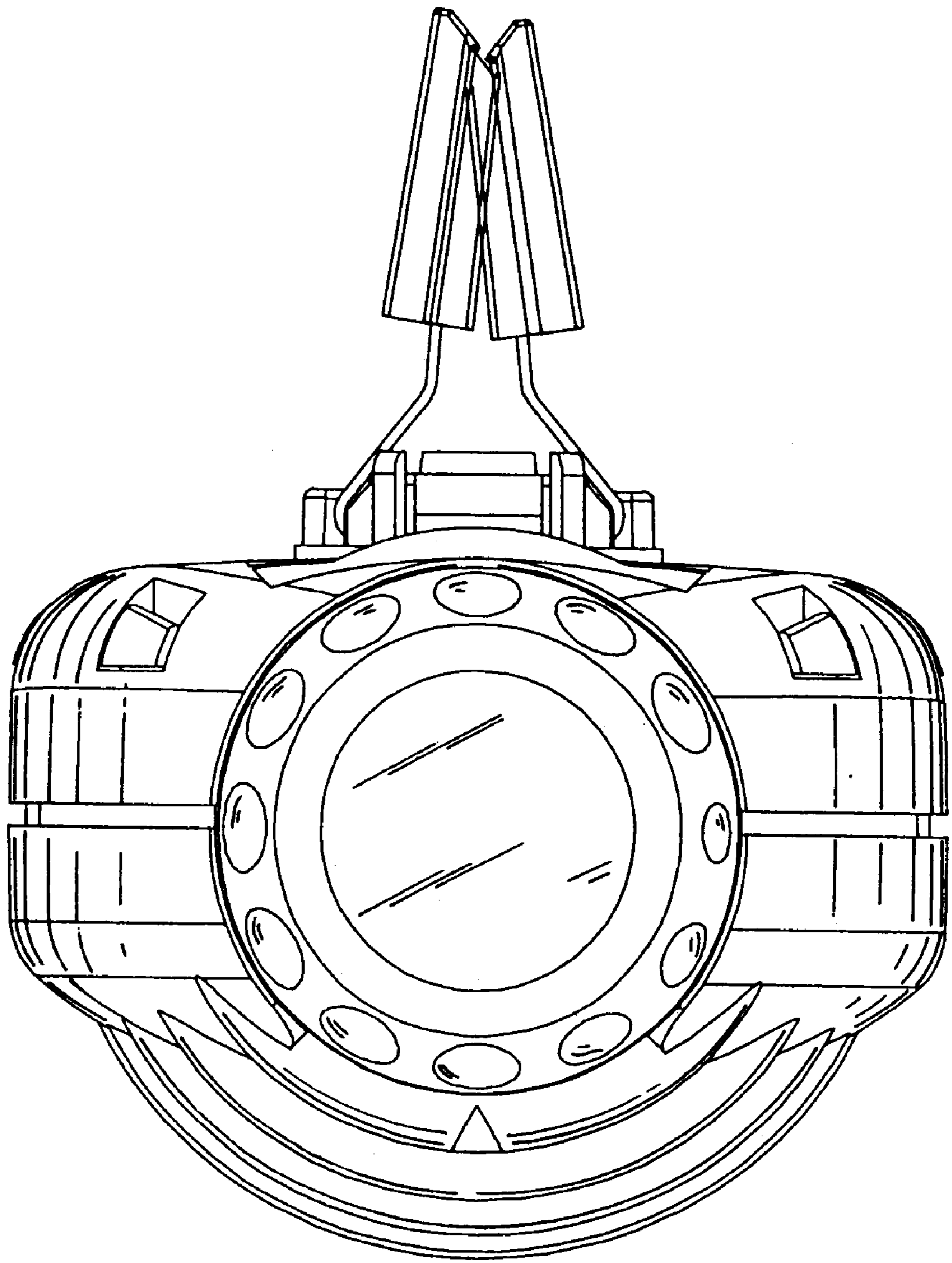


FIG. 5

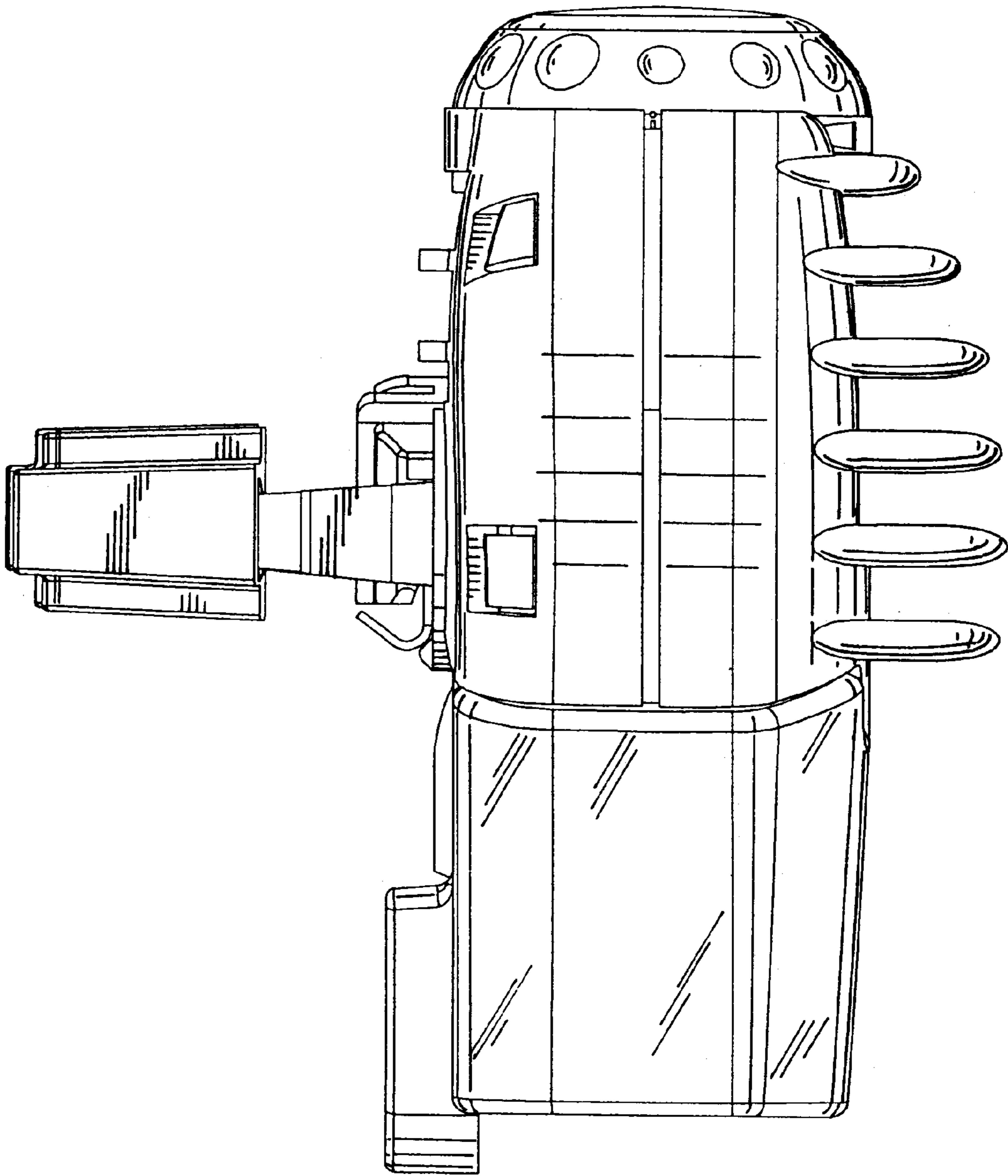
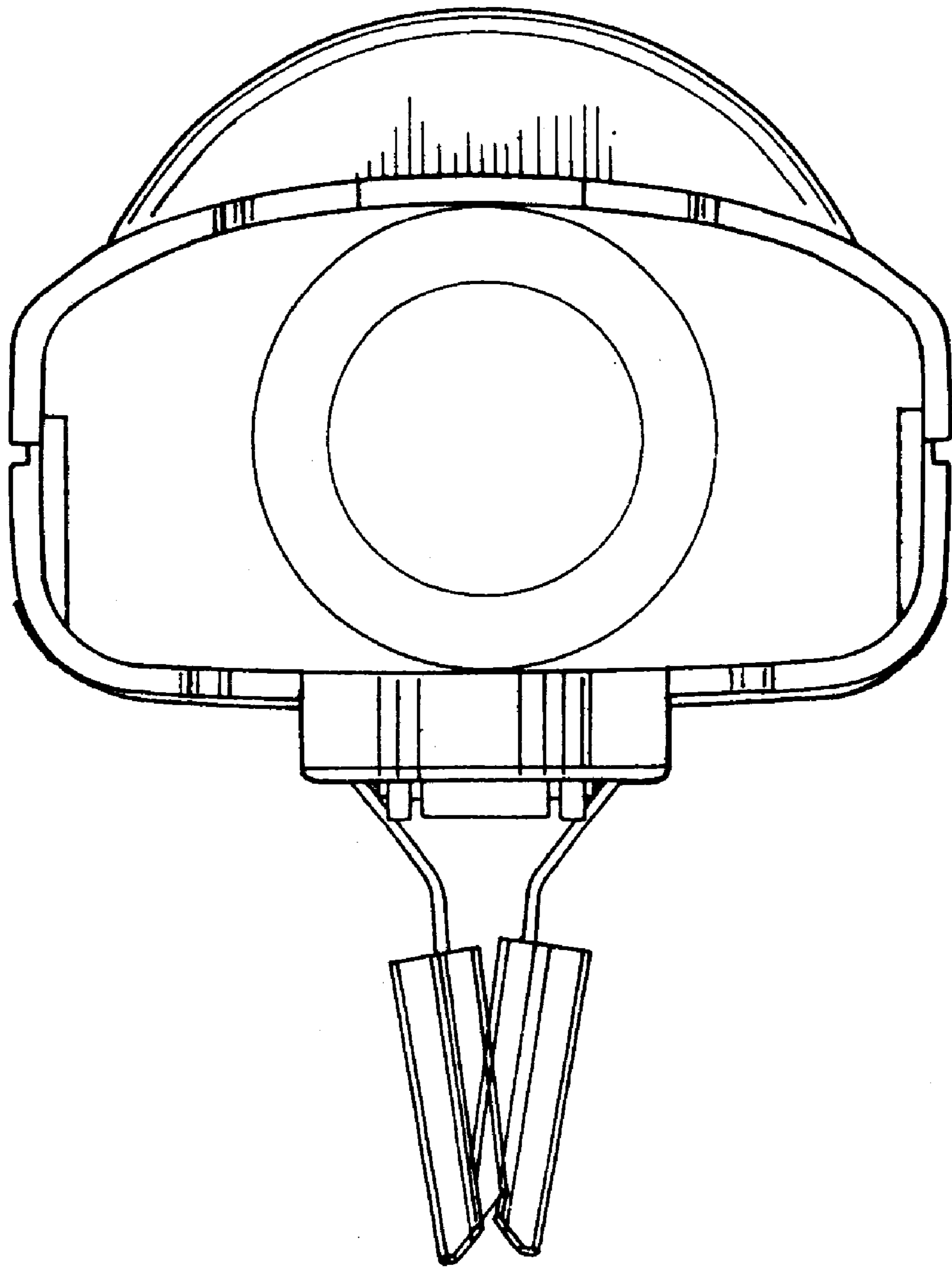


FIG.6



**FIG. 7**