



US00D480791S

(12) **United States Design Patent**
Phillips

(10) **Patent No.:** **US D480,791 S**

(45) **Date of Patent:** **** Oct. 14, 2003**

(54) **FRONT PANEL FOR AN AIR CONDITIONER**

D454,389 S * 3/2002 Kishita et al. D23/353
D456,068 S * 4/2002 Oya et al. D23/353

(75) Inventor: **Brian J. Phillips**, Smyrna, TN (US)

* cited by examiner

(73) Assignee: **Whirlpool Corporation**, Benton Harbor, MI (US)

Primary Examiner—B. J. Bullock

(**) Term: **14 Years**

(74) *Attorney, Agent, or Firm*—Robert O. Rice; Stephen Krefman; John F. Colligan

(21) Appl. No.: **29/158,397**

(57) **CLAIM**

(22) Filed: **Apr. 3, 2002**

The ornamental design for front panel for an air conditioner, as shown and described.

(51) **LOC (7) Cl.** **23-04**

DESCRIPTION

(52) **U.S. Cl.** **D23/354; D23/353**

(58) **Field of Search** D23/351-354;
62/262, 259.1; 312/236; 454/204

FIG. 1 is a frontal perspective view of the air conditioner front panel showing the new design;
FIG. 2 is a front elevational view thereof;
FIG. 3 is a left side elevational view thereof;
FIG. 4 is a right side elevational view thereof; and,
FIG. 5 is a top plan view thereof.

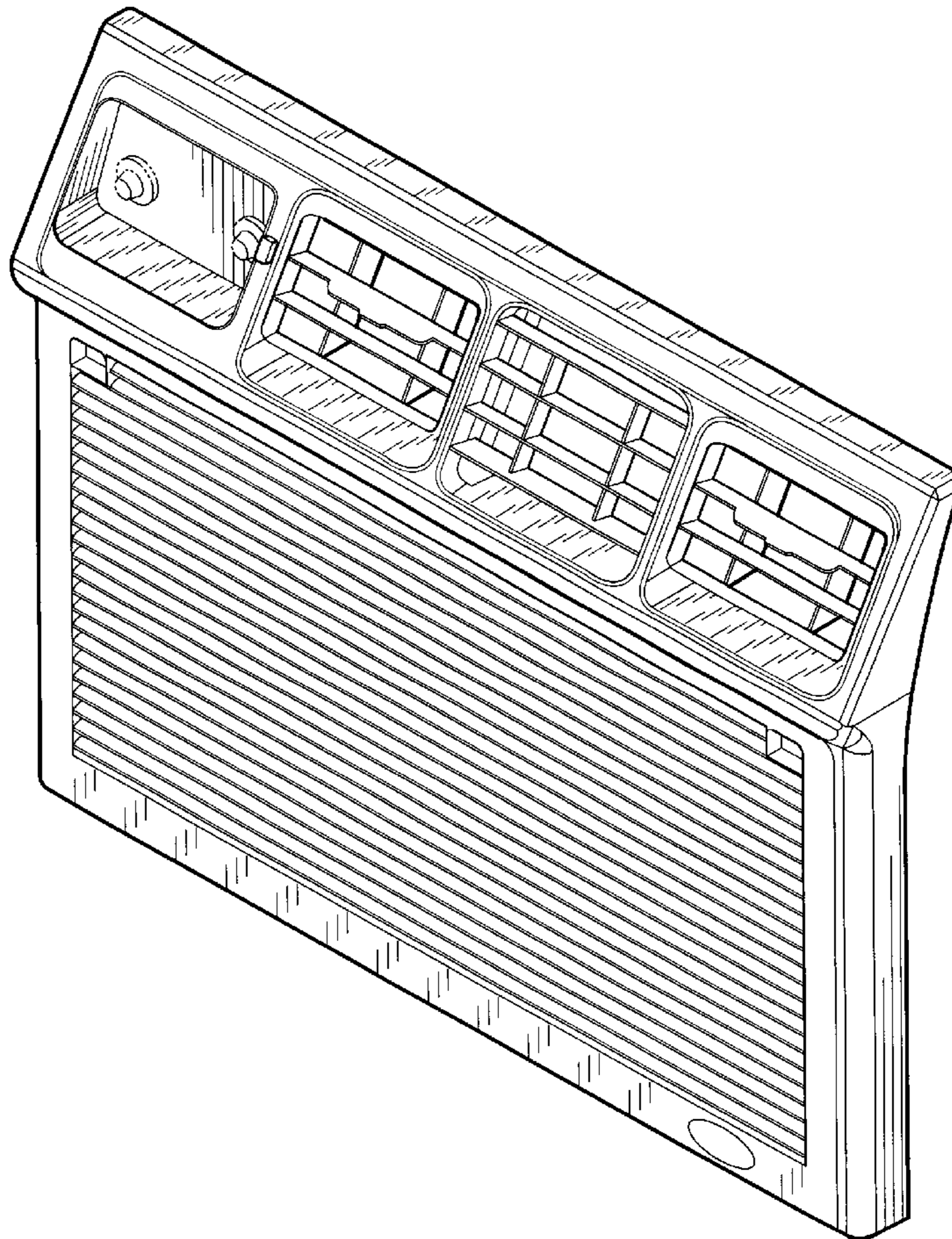
(56) **References Cited**

U.S. PATENT DOCUMENTS

- 5,272,886 A * 12/1993 Ukai et al. 62/262
- D426,877 S * 6/2000 Kawata D23/353
- 6,085,538 A * 7/2000 Bascaran et al. 62/262
- D433,492 S * 11/2000 Oya et al. D23/351
- D442,681 S * 5/2001 Kishita et al. D23/353
- D446,576 S * 8/2001 Bushnell et al. D23/353

The structure depicted in broken lines in FIGS. 1, 2 and 5 has been shown for illustrative purposes only and forms no part of the claimed design.

1 Claim, 2 Drawing Sheets



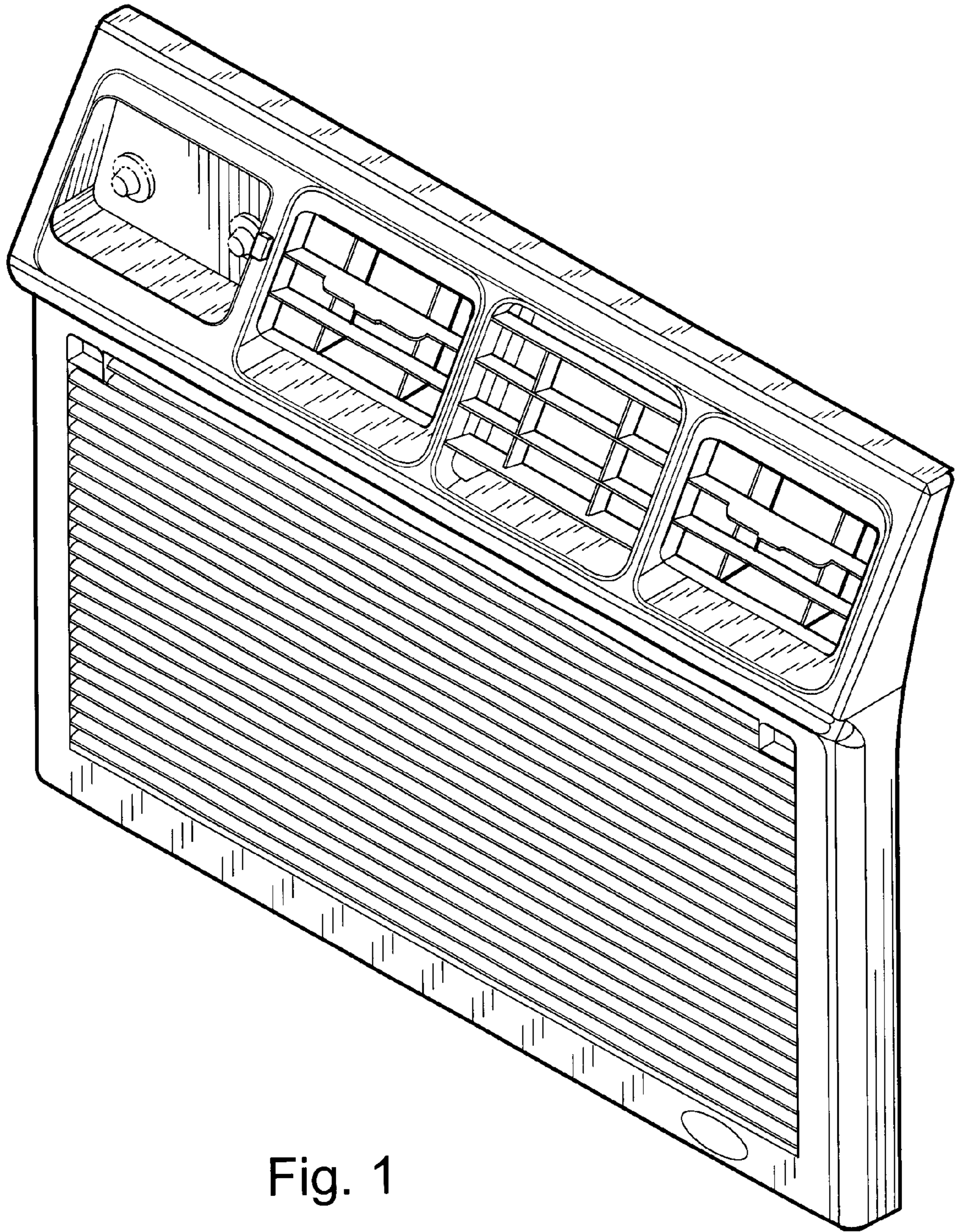


Fig. 1

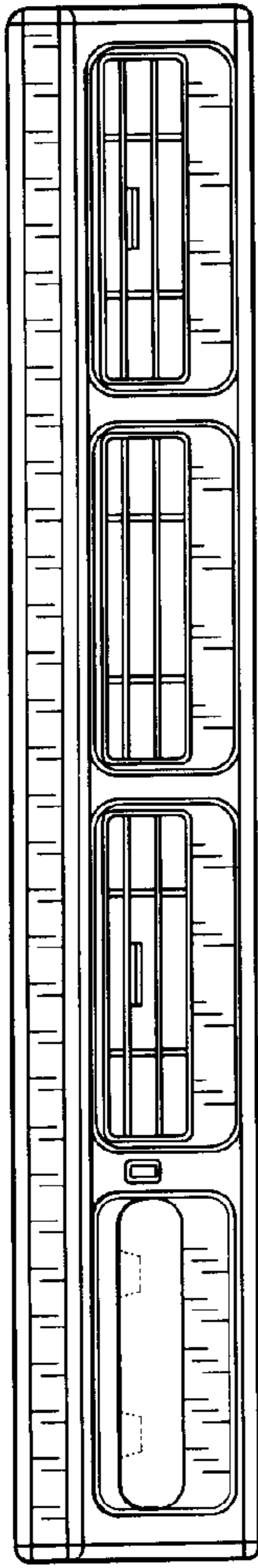


Fig. 5

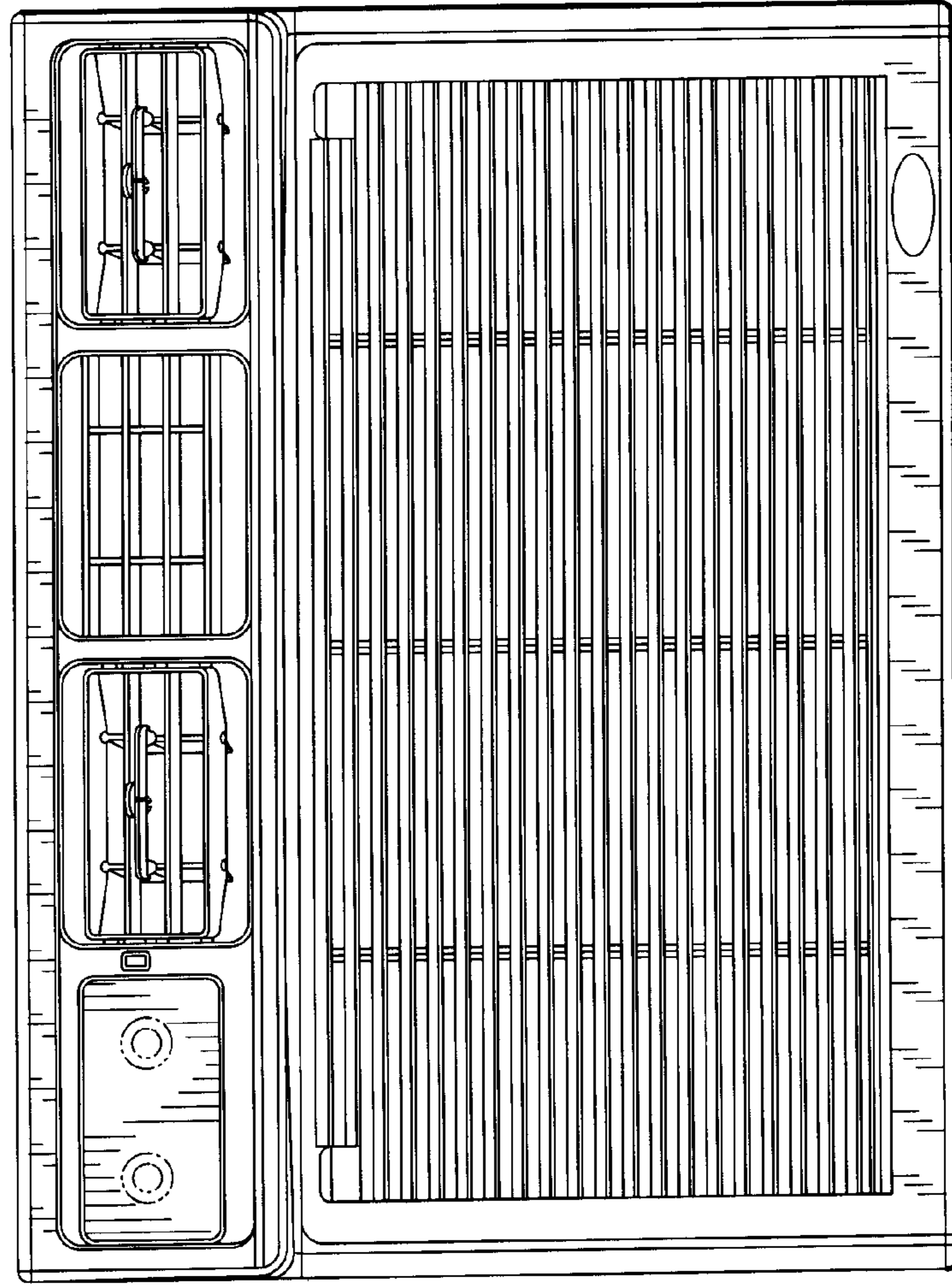


Fig. 2

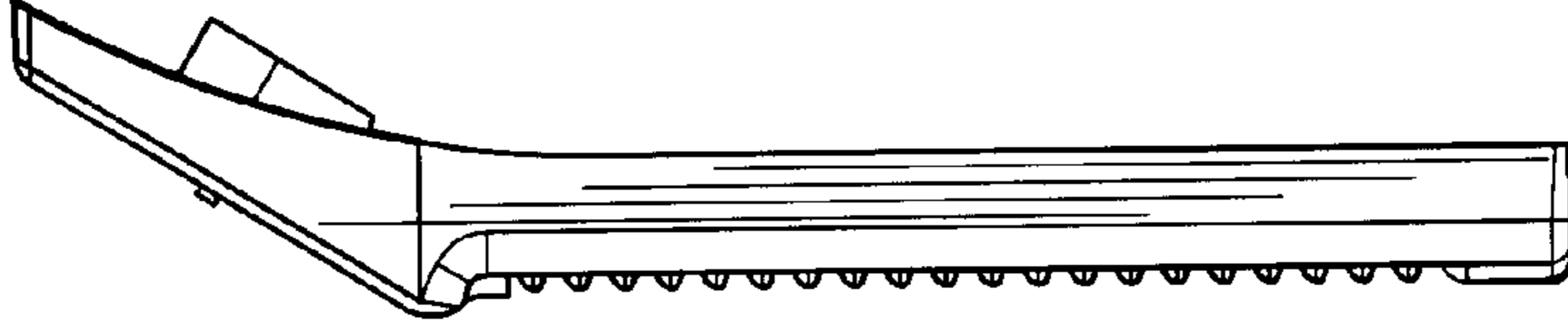


Fig. 4

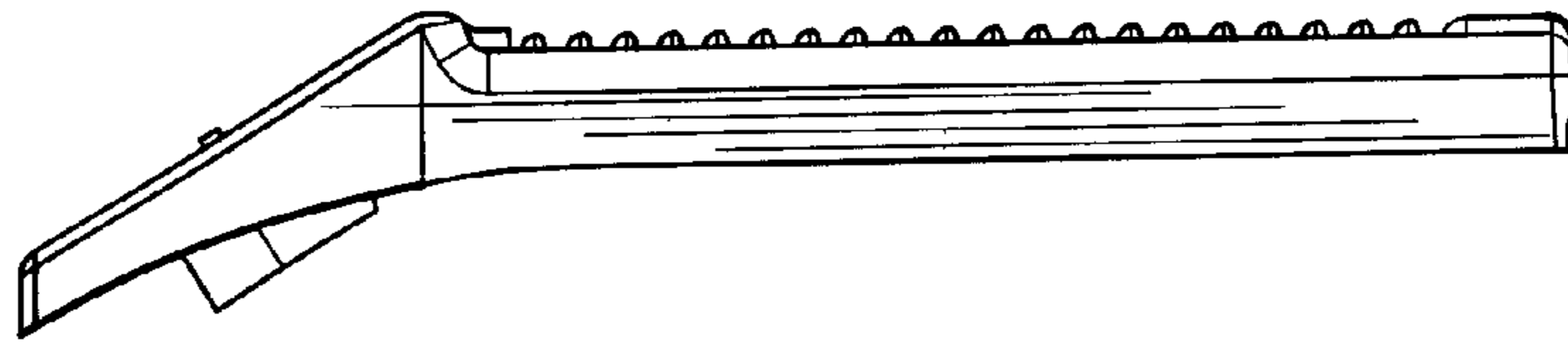


Fig. 3