



US00D480788S

(12) **United States Design Patent**
Carey

(10) **Patent No.:** **US D480,788 S**

(45) **Date of Patent:** **** Oct. 14, 2003**

(54) **BATHING TUB**

D438,627 S * 3/2001 Jacuzzi et al. D24/204
D443,045 S * 5/2001 Salmon D23/277

(75) Inventor: **Michael R. Carey**, Coloma, MI (US)

* cited by examiner

(73) Assignee: **Whirlpool Corporation**, Benton Harbor, MI (US)

Primary Examiner—Louis S. Zarfes
Assistant Examiner—Robert A. Delehanty

(**) Term: **14 Years**

(74) *Attorney, Agent, or Firm*—Stephen Krefman; Robert O. Rice; John F. Colligan

(21) Appl. No.: **29/160,343**

(57) **CLAIM**

(22) Filed: **May 9, 2002**

The ornamental appearance of the bathing tub, as shown and described.

(51) **LOC (7) Cl.** **23-02**

(52) **U.S. Cl.** **D23/277**

DESCRIPTION

(58) **Field of Search** D23/273, 275,
D23/276, 277, 278, 279, 280.1, 280.2, 280.3,
303, 304; D24/204, 205; 4/538, 546, 584–586,
589–594, 661

FIG. 1 is a top perspective view of the bathing tub showing the new design;

FIG. 2 is a top plan view thereof;

FIG. 3 is a section view taken along line 3 of FIG. 2 thereof; and,

FIG. 4 is a section view taken along line 4 of FIG. 2.

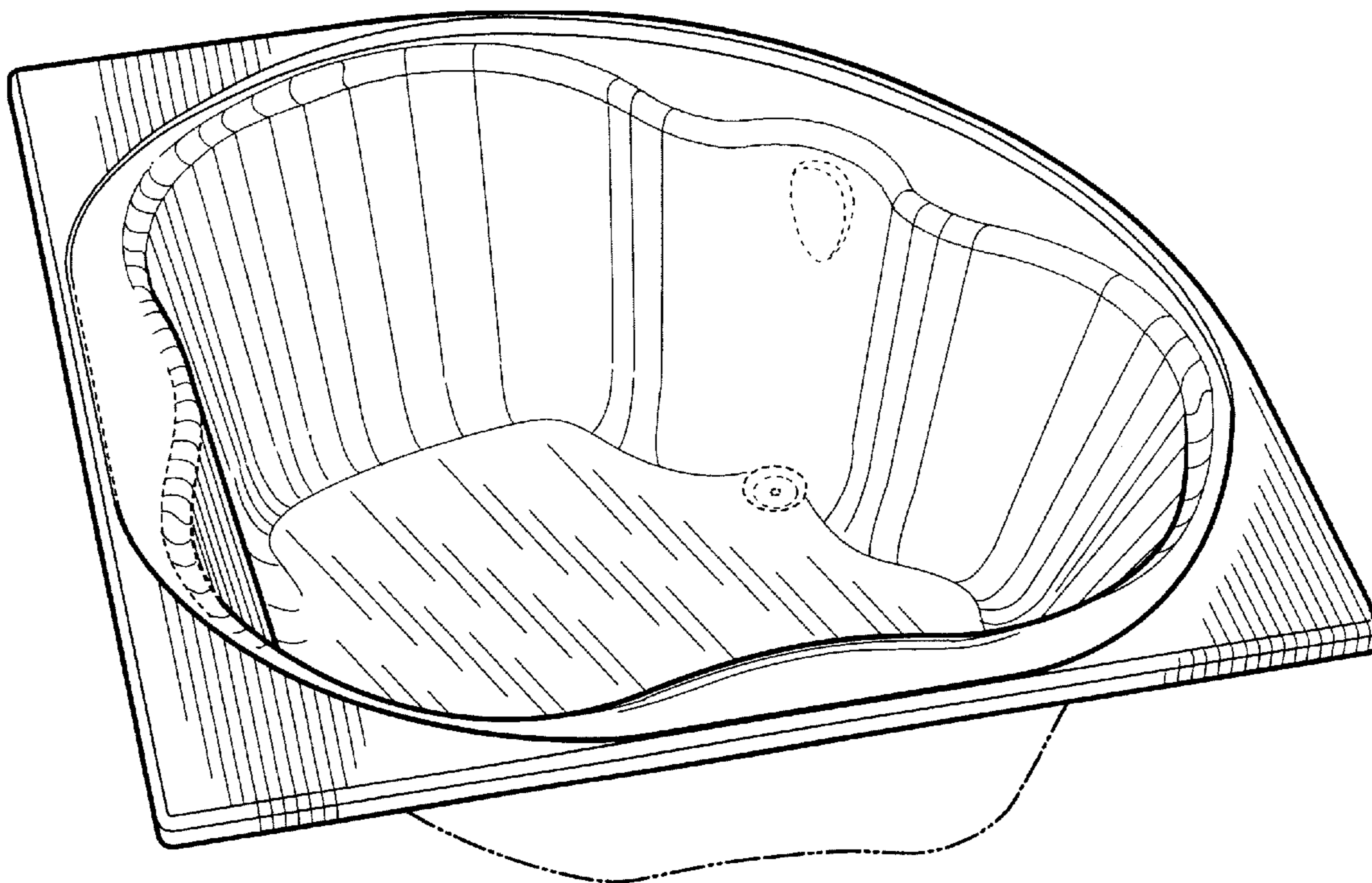
The broken lines showing of the bottom, outside portions of the tub and the plumbing holes and fixtures are for illustrative purposes only and form no part of the claimed design.

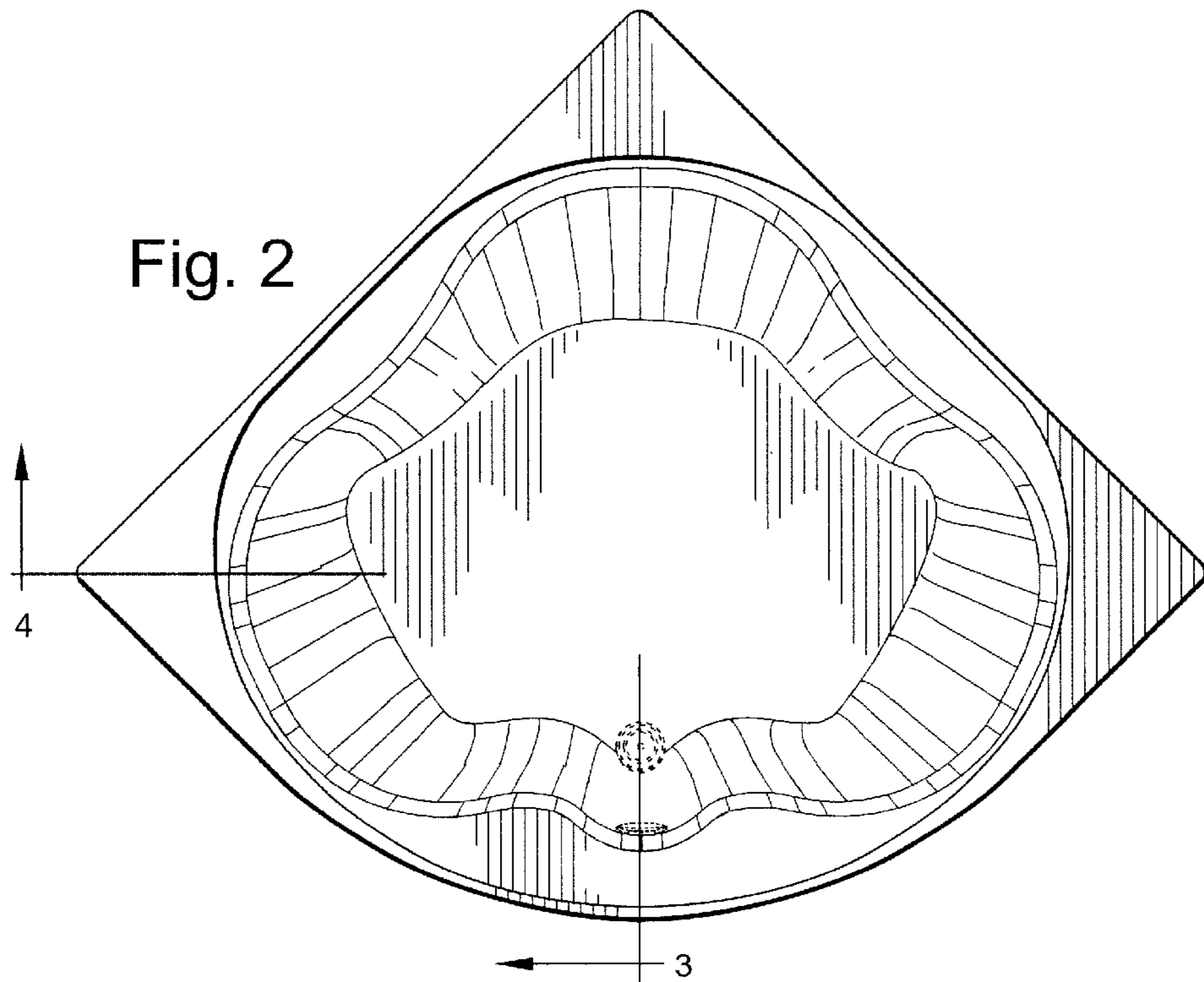
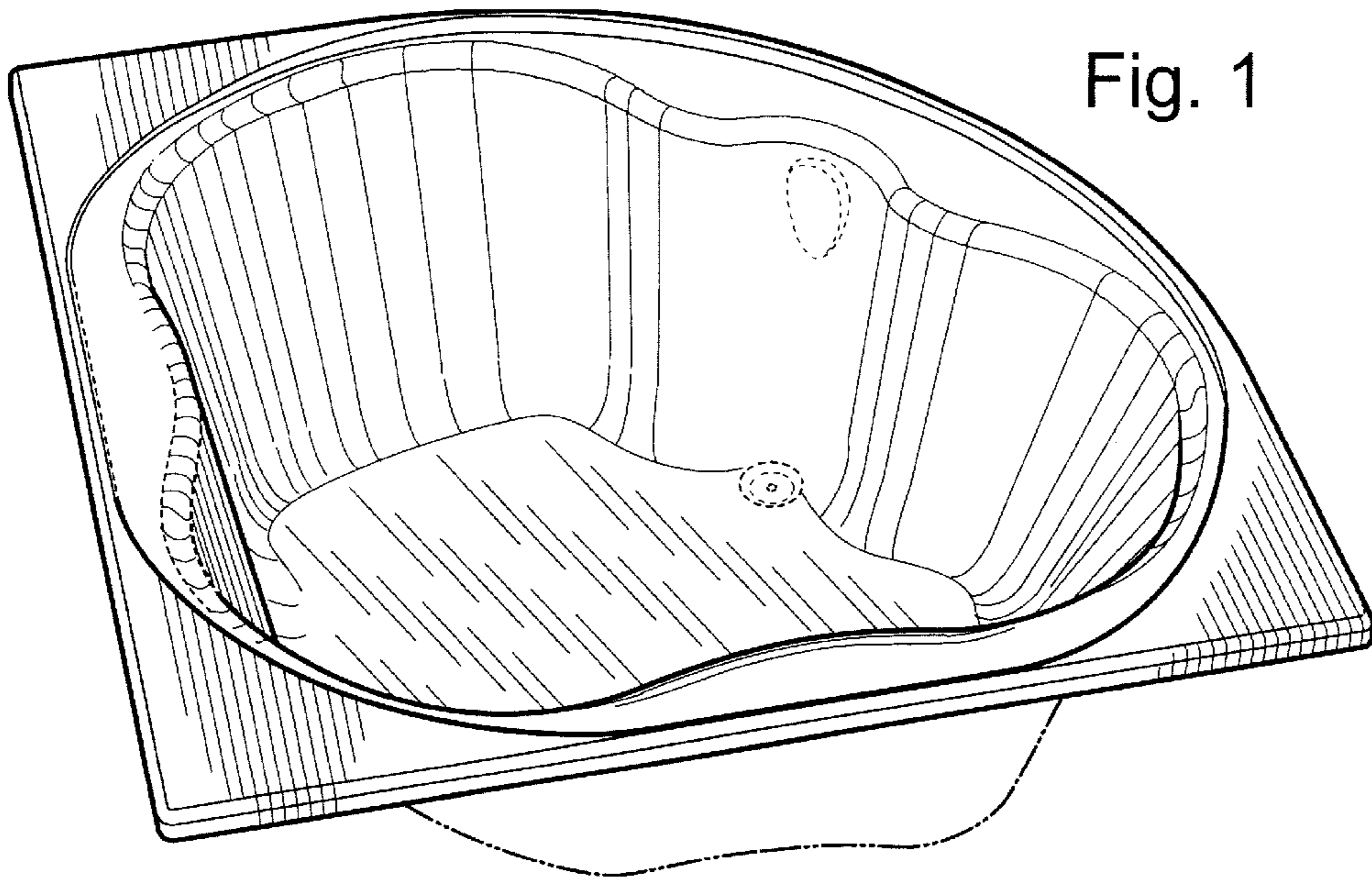
(56) **References Cited**

U.S. PATENT DOCUMENTS

D400,654 S * 11/1998 Jacuzzi D23/277
D405,514 S * 2/1999 Donnelly D23/280.1
D425,606 S * 5/2000 Jones D23/280.1

1 Claim, 2 Drawing Sheets





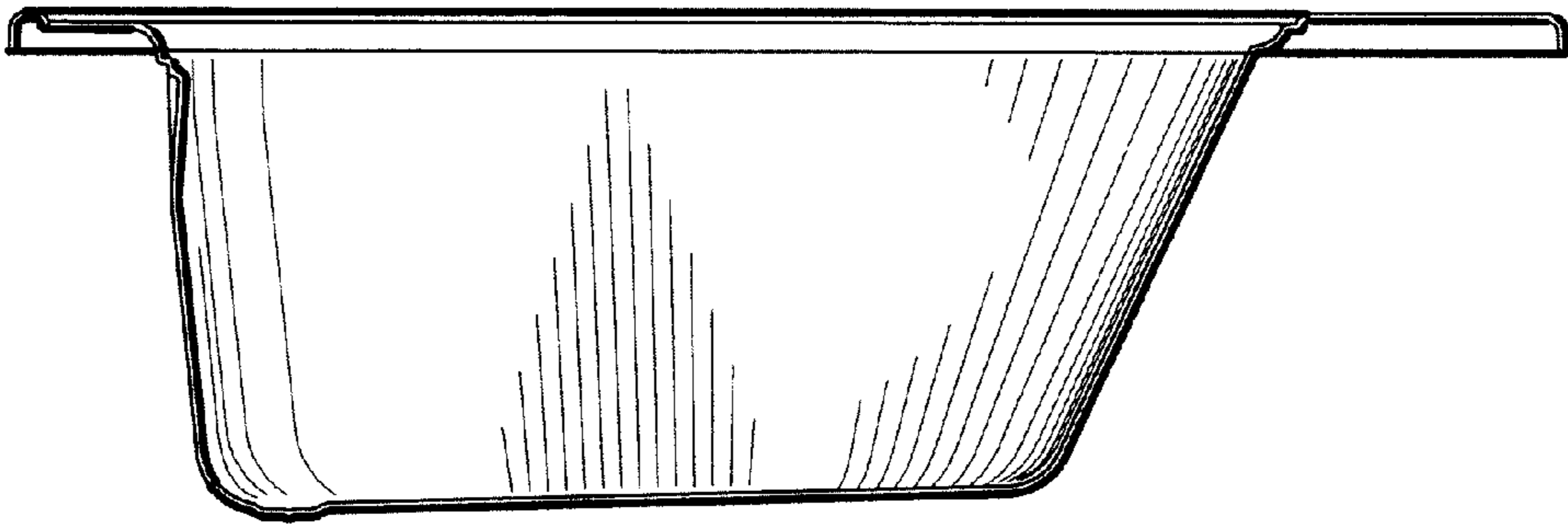


Fig. 3

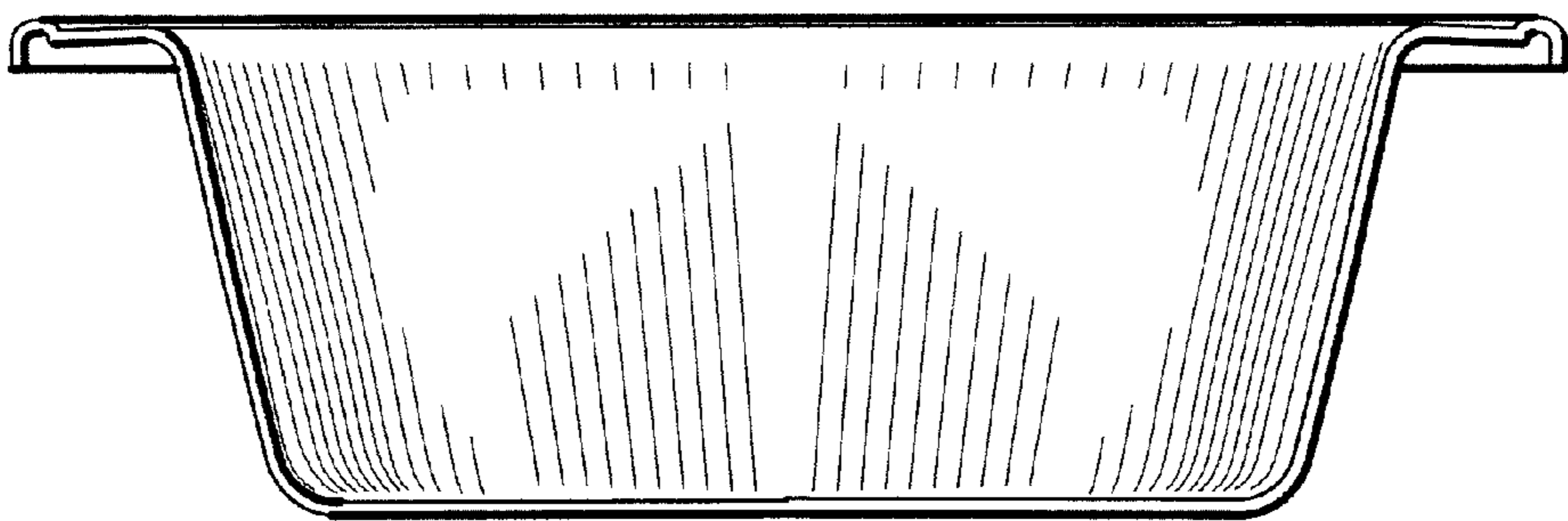


Fig. 4