



US00D480782S

(12) **United States Design Patent**
DeBerry et al.

(10) **Patent No.:** **US D480,782 S**

(45) **Date of Patent:** **** Oct. 14, 2003**

(54) **FISHING ROD HOLDER**

(76) Inventors: **Glenn C. DeBerry**, 40072 Palmerville Rd., New London, NC (US) 28127;
Charles K. DeBerry, 40046 Palmerville Rd., New London, NC (US) 28127

(**) Term: **14 Years**

(21) Appl. No.: **29/171,052**

(22) Filed: **Nov. 15, 2002**

(51) **LOC (7) Cl.** **22-05**

(52) **U.S. Cl.** **D22/147**

(58) **Field of Search** D22/147, 148;
D3/221; 224/922, 267; 43/21.2; 248/515,
520, 521, 538

(56) **References Cited**

U.S. PATENT DOCUMENTS

D348,504 S	*	7/1994	Dahmen	D22/147
D407,137 S	*	3/1999	Thompson	D22/147
D461,521 S	*	8/2002	Krueger	D22/147
D464,705 S	*	10/2002	Ratliffe	D22/147

* cited by examiner

Primary Examiner—Catherine R. Oliver

(74) *Attorney, Agent, or Firm*—Dority & Manning, P.A.

(57) **CLAIM**

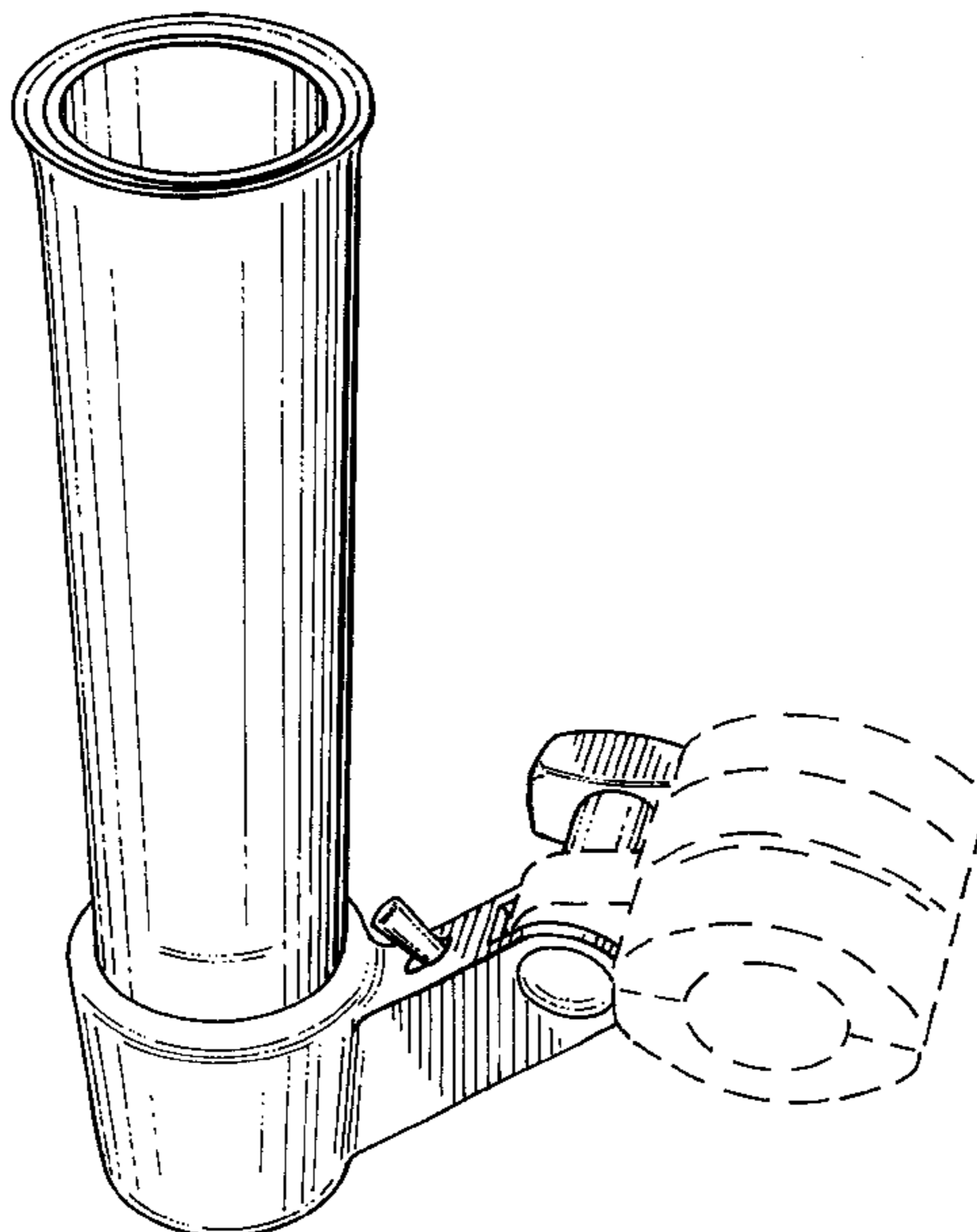
The ornamental design for a fishing rod holder, as shown and described.

DESCRIPTION

FIG. 1 is a isometric view of the front and partial top of the first embodiment of the fishing rod holder illustrating the

new design according to the present invention;
 FIG. 2 is a top view of the first embodiment of the fishing rod holder design of FIG. 1;
 FIG. 3 is a bottom view of the first embodiment of the fishing rod holder design of FIG. 1;
 FIG. 4 is a front view of the first embodiment of the fishing rod holder design of FIG. 1;
 FIG. 5 is a right side view of the first embodiment of the fishing rod holder design of FIG. 1;
 FIG. 6 is a rear view of the first embodiment of the fishing rod holder design of FIG. 1;
 FIG. 7 is a left side view of the first embodiment of the fishing rod holder design of FIG. 1;
 FIG. 8 is a isometric view of the front and partial top of the second embodiment of the fishing rod holder illustrating the new design according to the present invention, showing differences from the first embodiment that are only the absence of a receiving cup for the fishing rod holding cylinder and the attachment directly to the fishing rod holding cylinder, it being understood that all other surfaces are the same as those in the first embodiment;
 FIG. 9 is a top view of the second embodiment of the fishing rod holder design of FIG. 8;
 FIG. 10 is a bottom view of the second embodiment of the fishing rod holder design of FIG. 8;
 FIG. 11 is a front view of the second embodiment of the fishing rod holder design of FIG. 8;
 FIG. 12 is a right side view of the second embodiment of the fishing rod holder design of FIG. 8;
 FIG. 13 is a rear view of the second embodiment of the fishing rod holder design of FIG. 8; and,
 FIG. 14 is a left side view of the second embodiment of the fishing rod holder design of FIG. 8.
 For purposes only of showing environment, each figure shows in dashed lining an exemplary clamp that forms no part of the claimed invention.

1 Claim, 6 Drawing Sheets



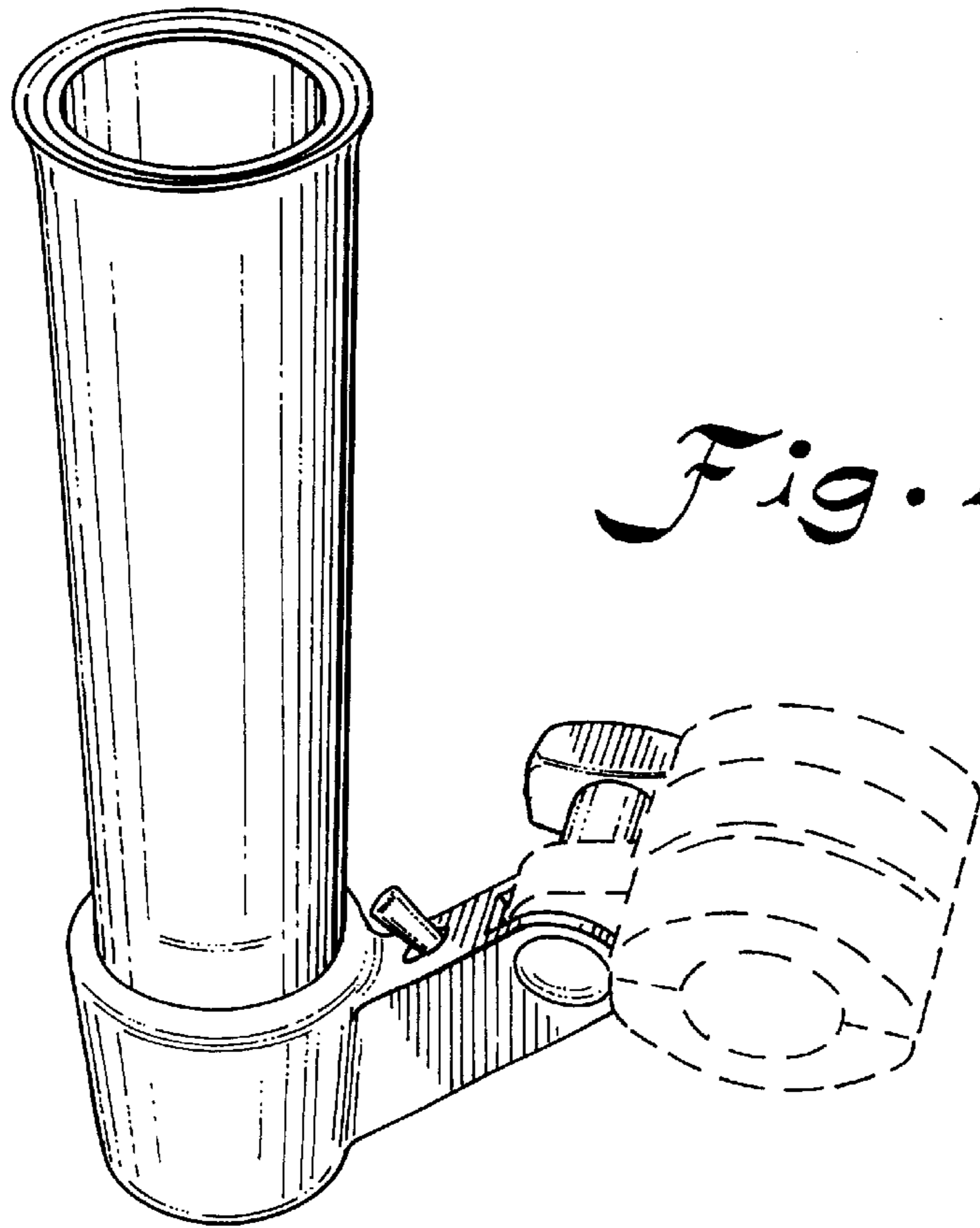


Fig. 1

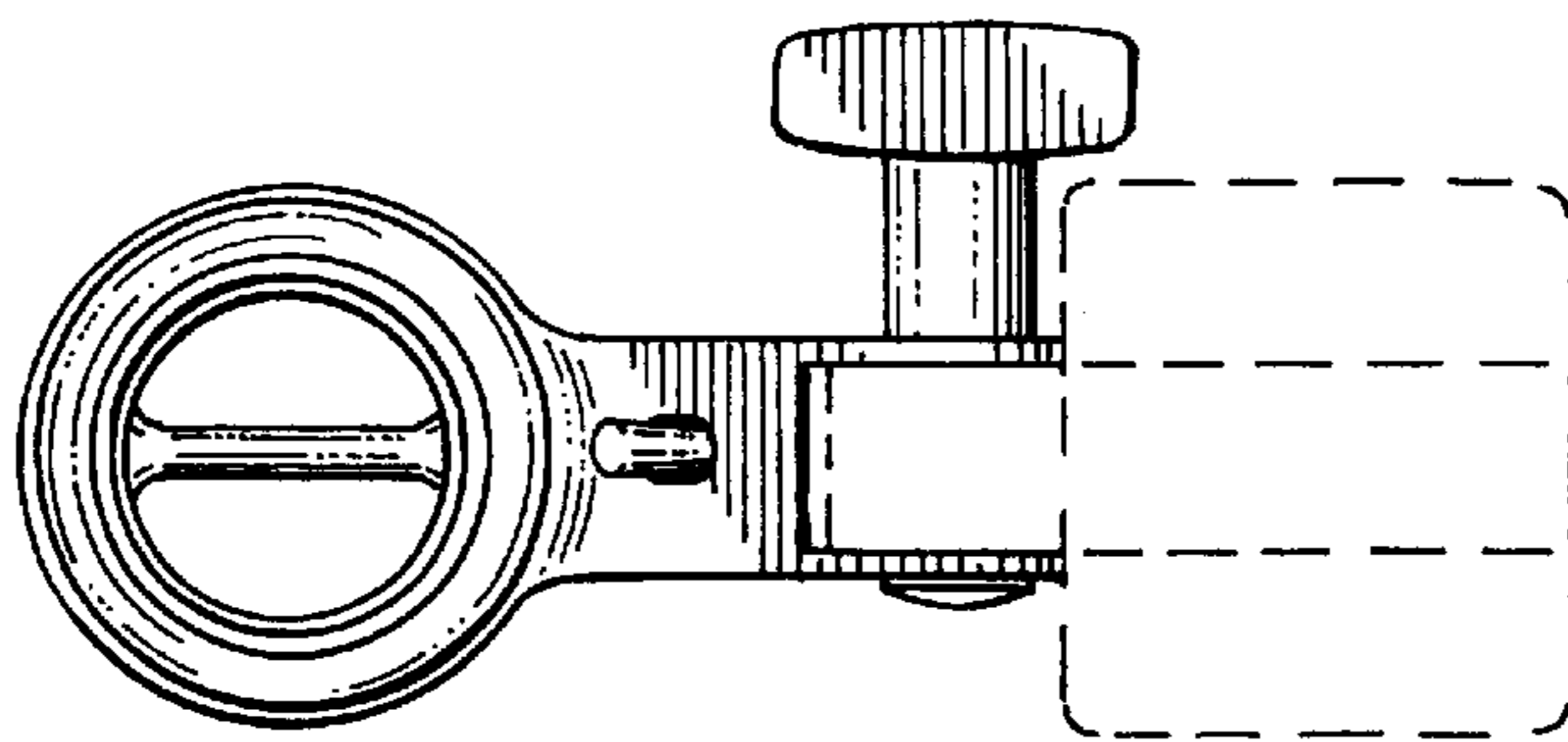


Fig. 2

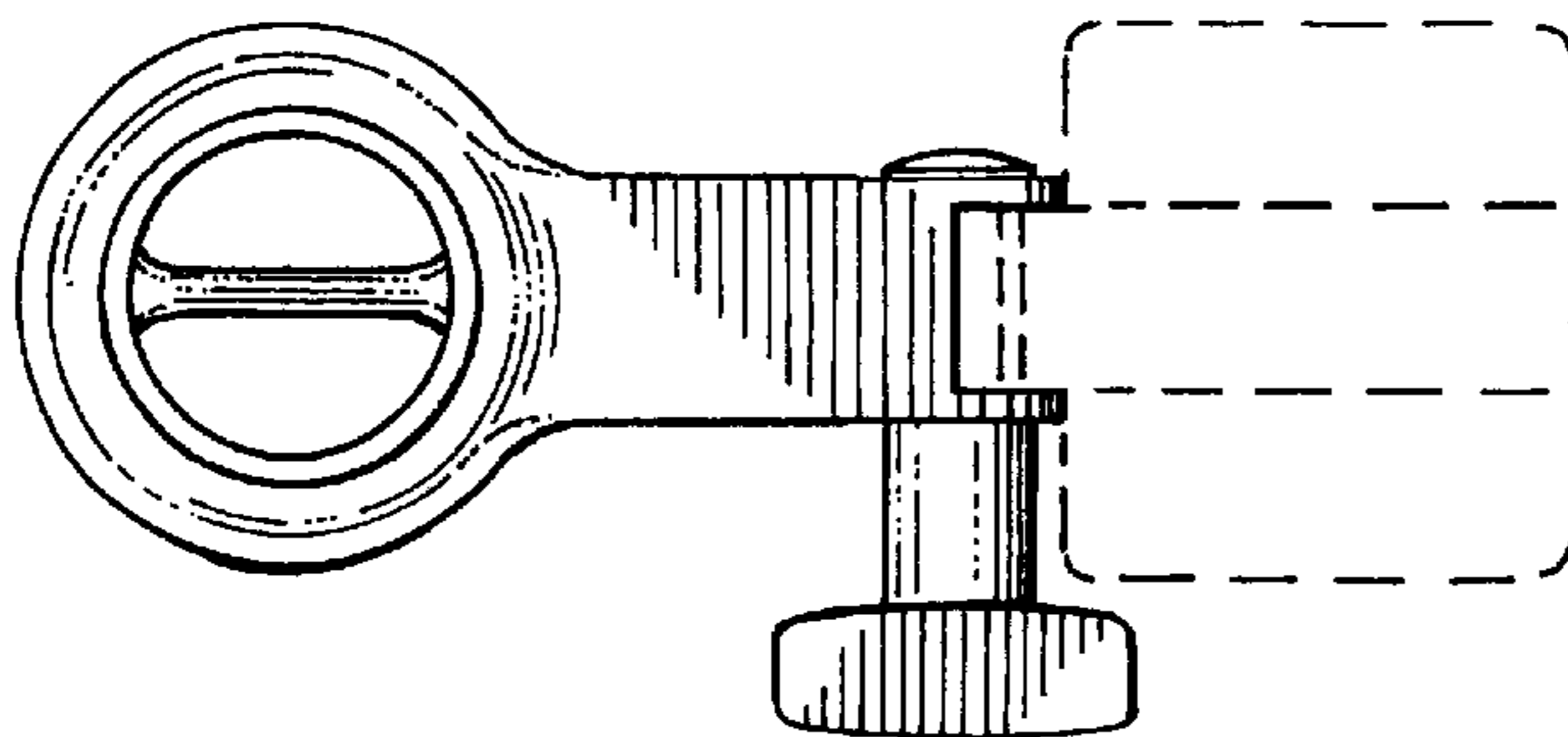


Fig. 3

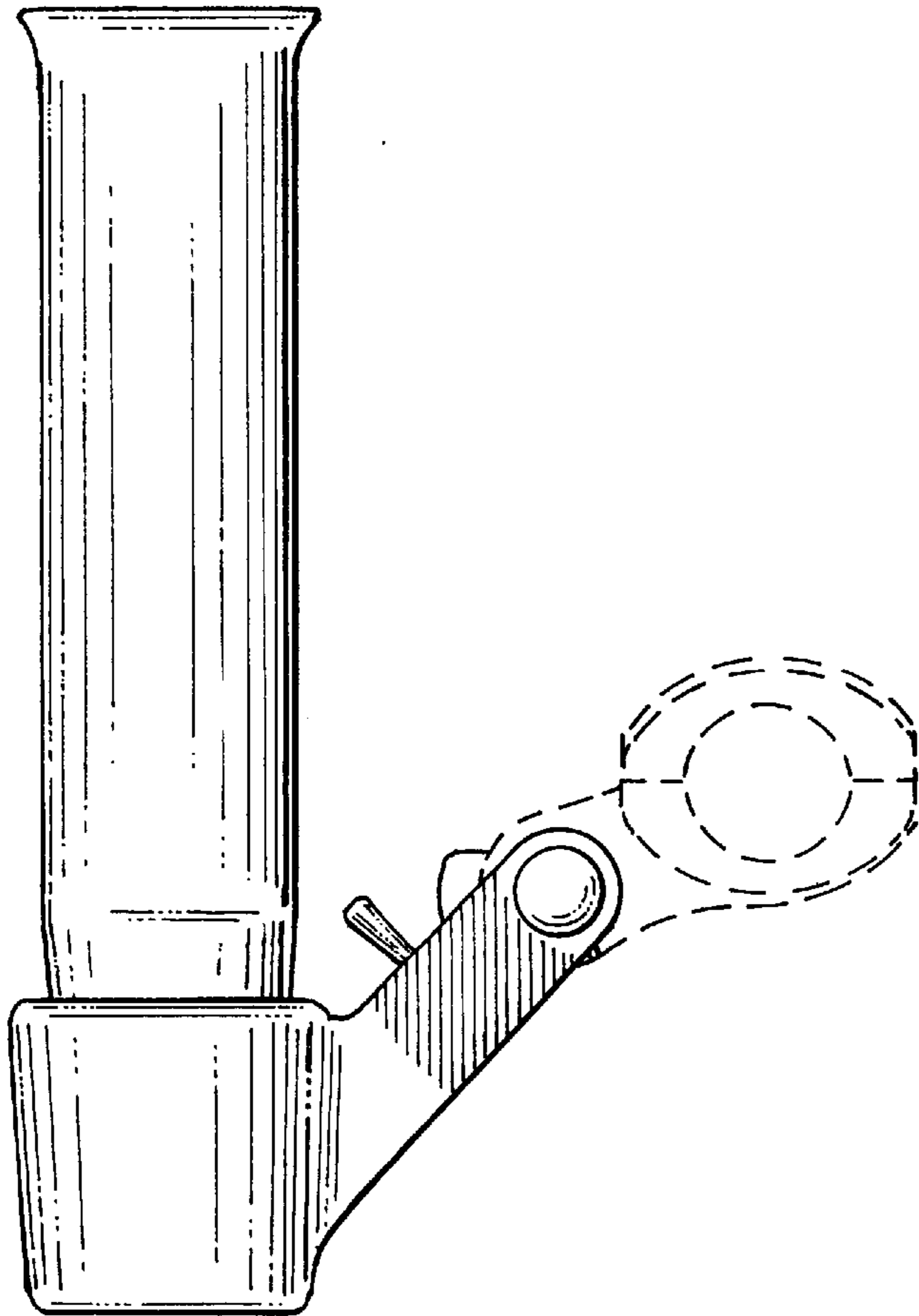


Fig. 4

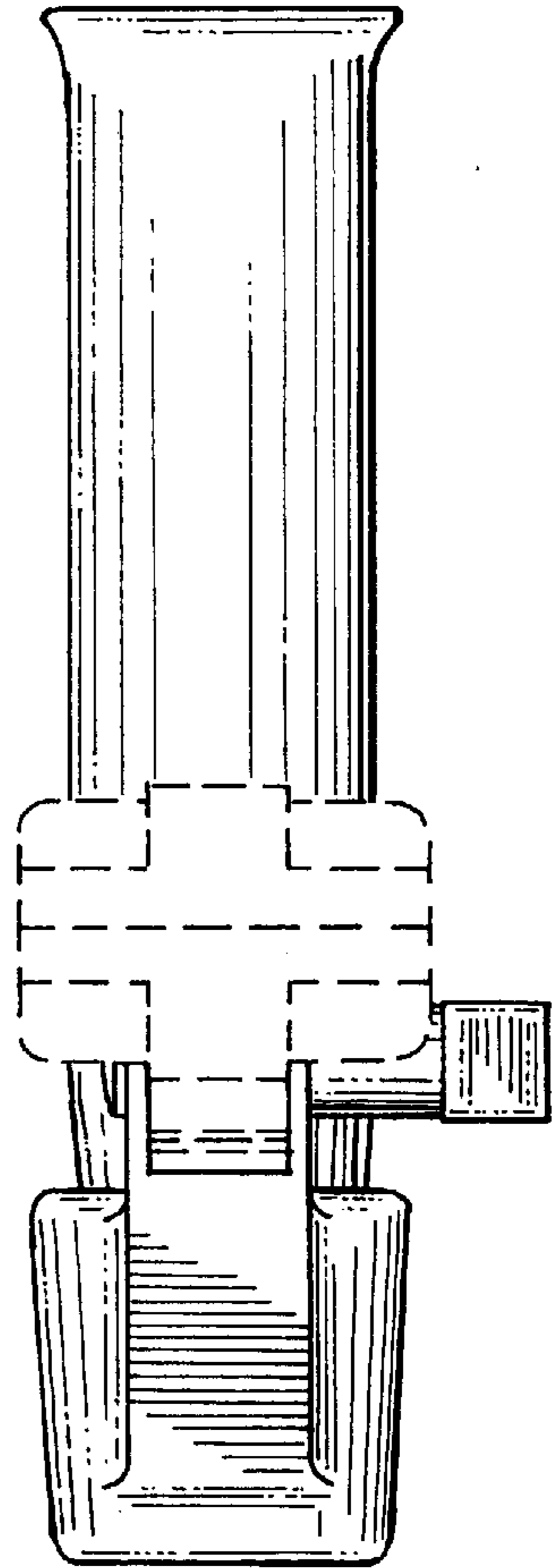


Fig. 5

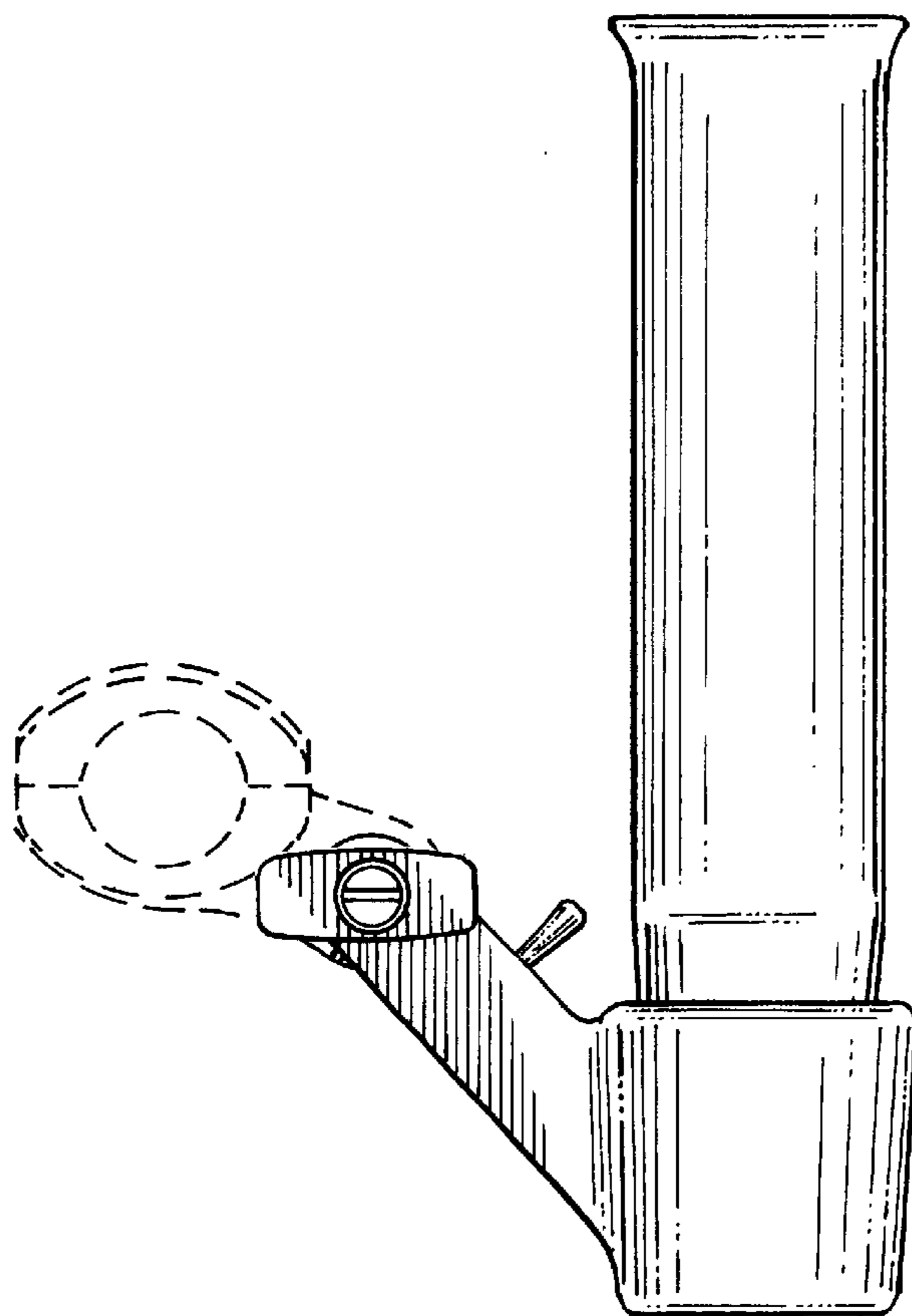


Fig. 6

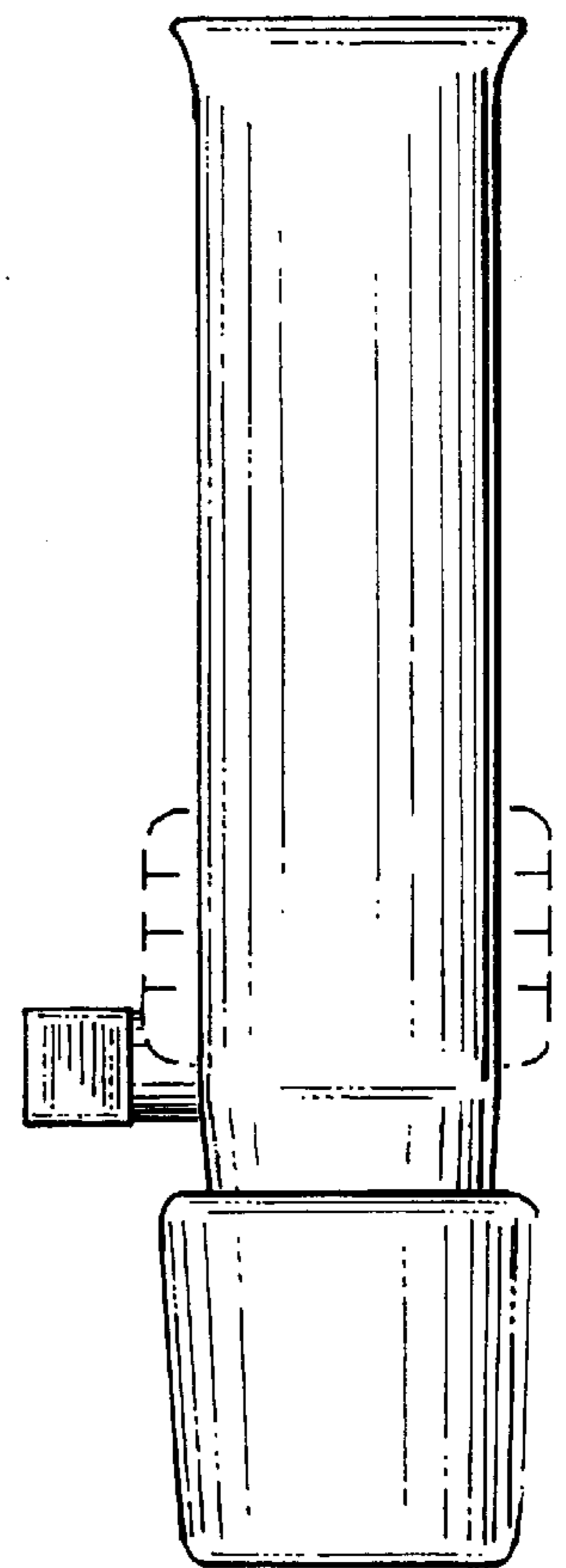


Fig. 7

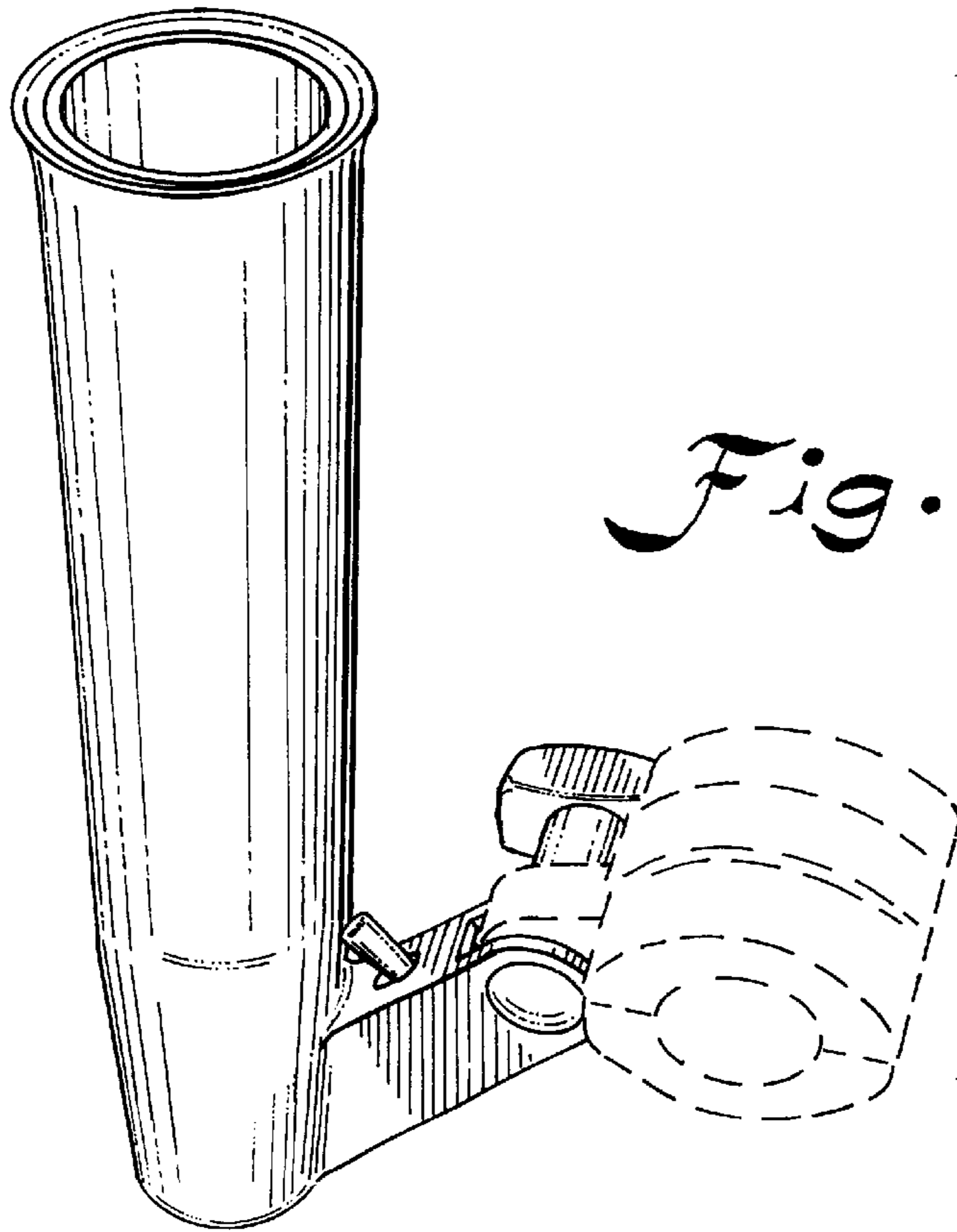


Fig. 8

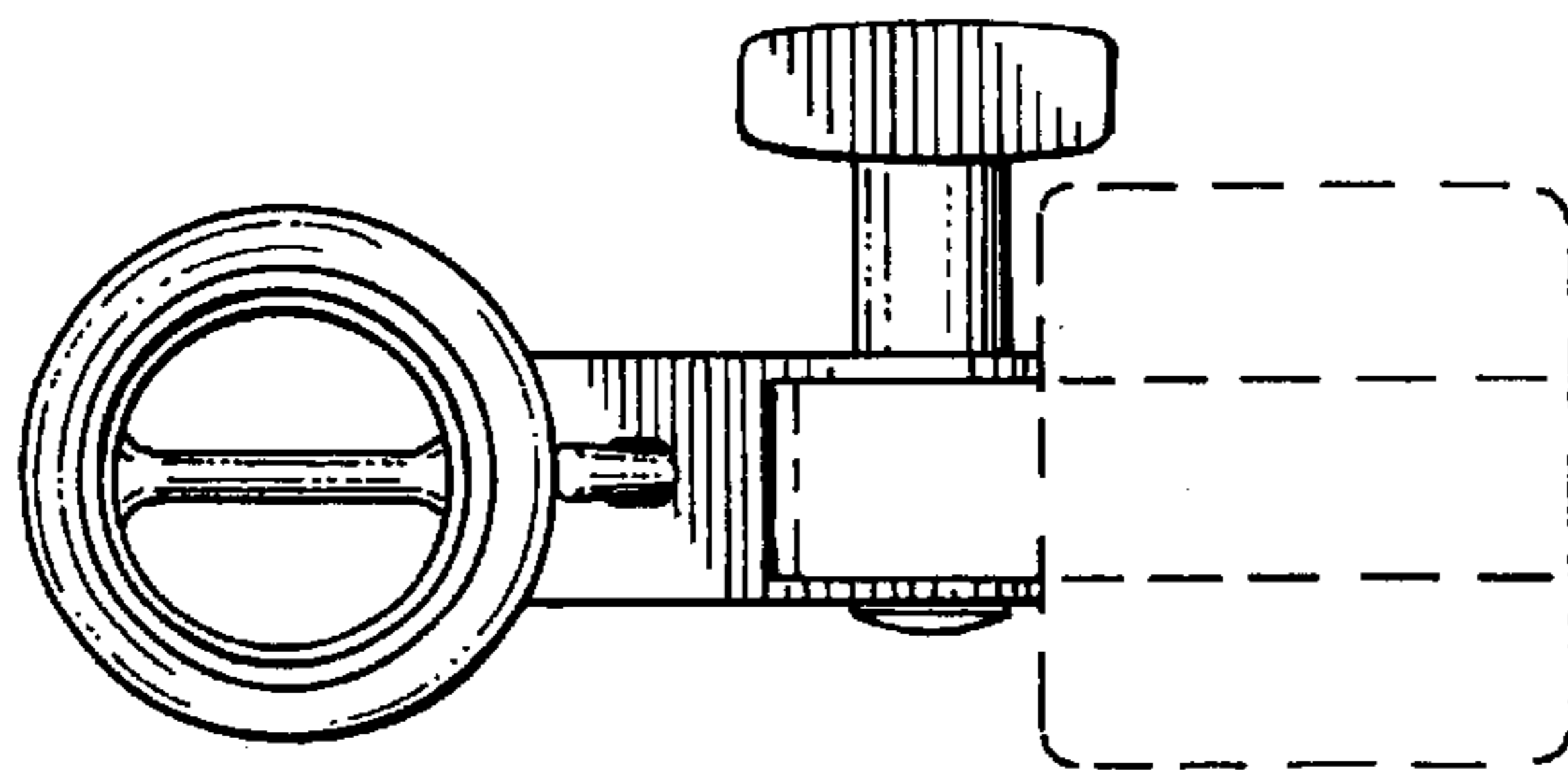


Fig. 9

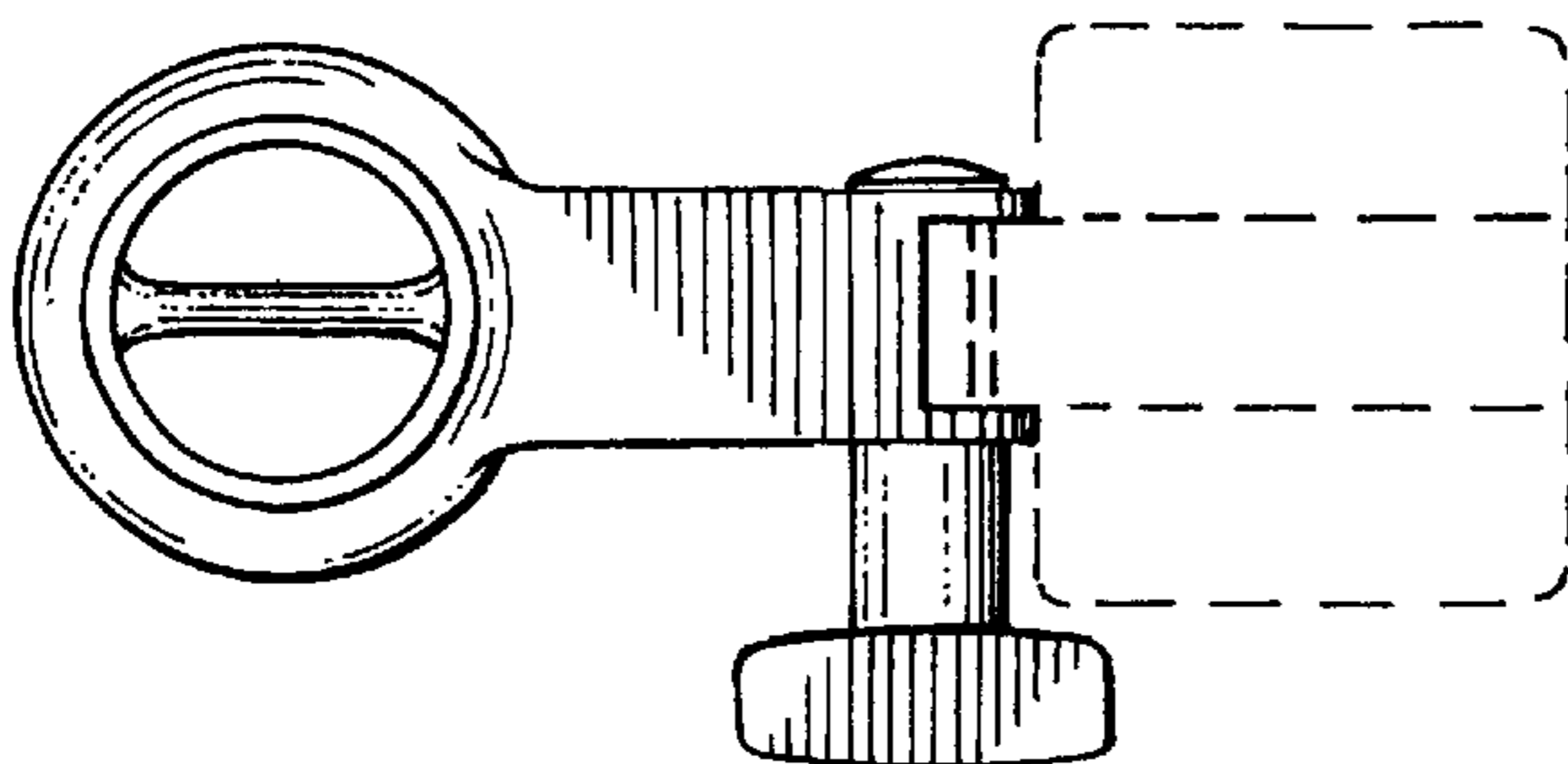


Fig. 10

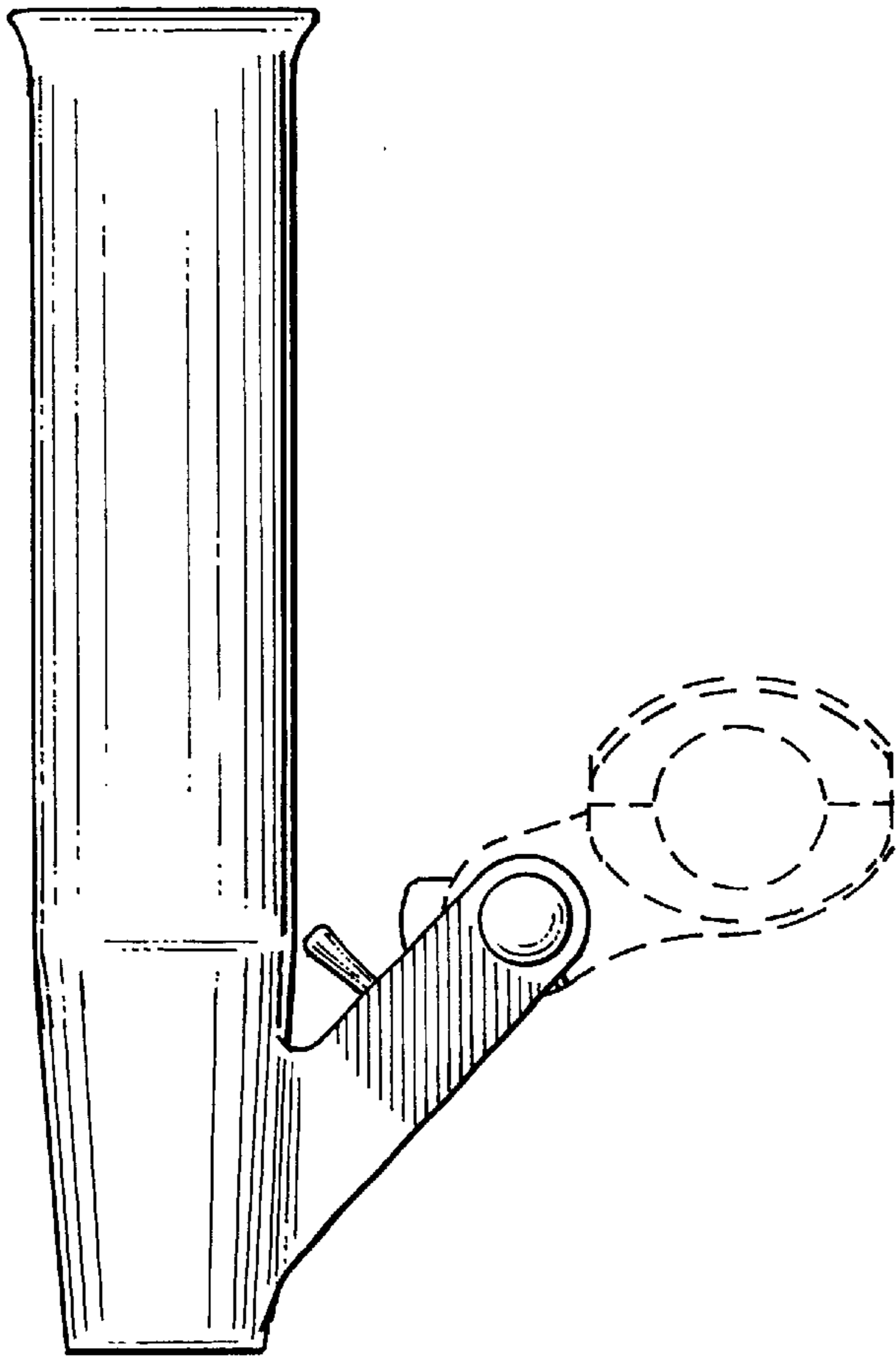


Fig. 11

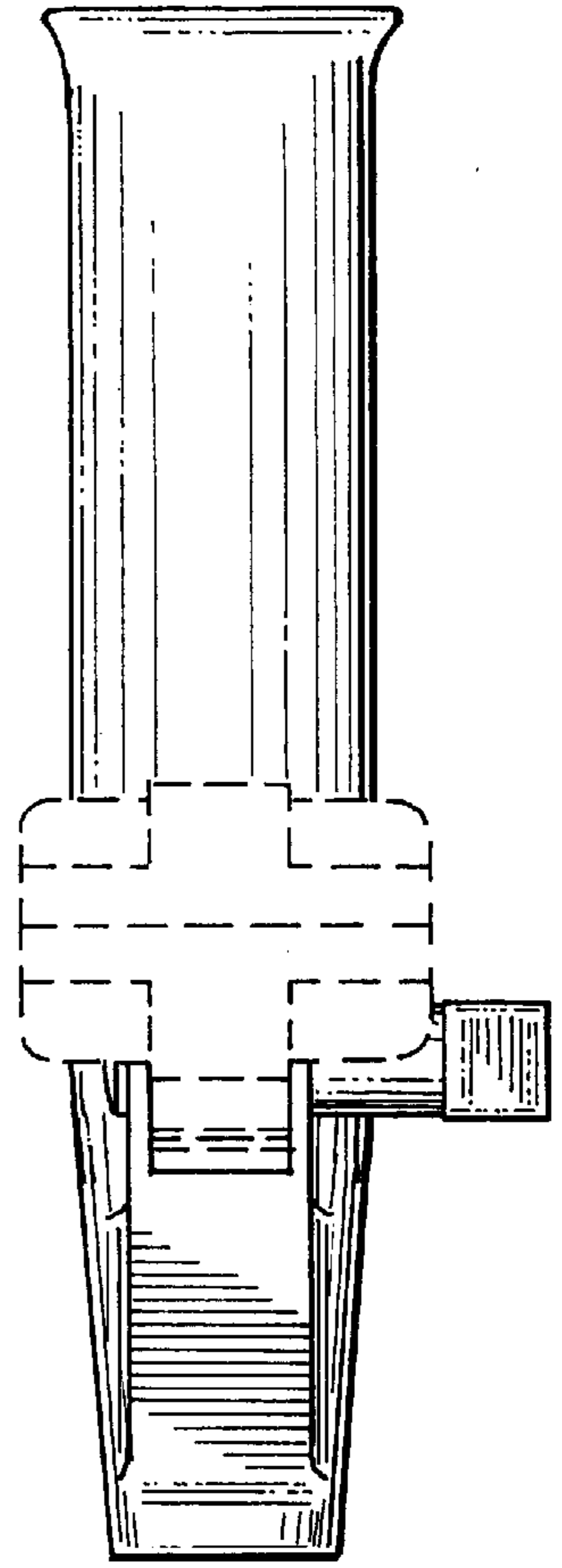


Fig. 12

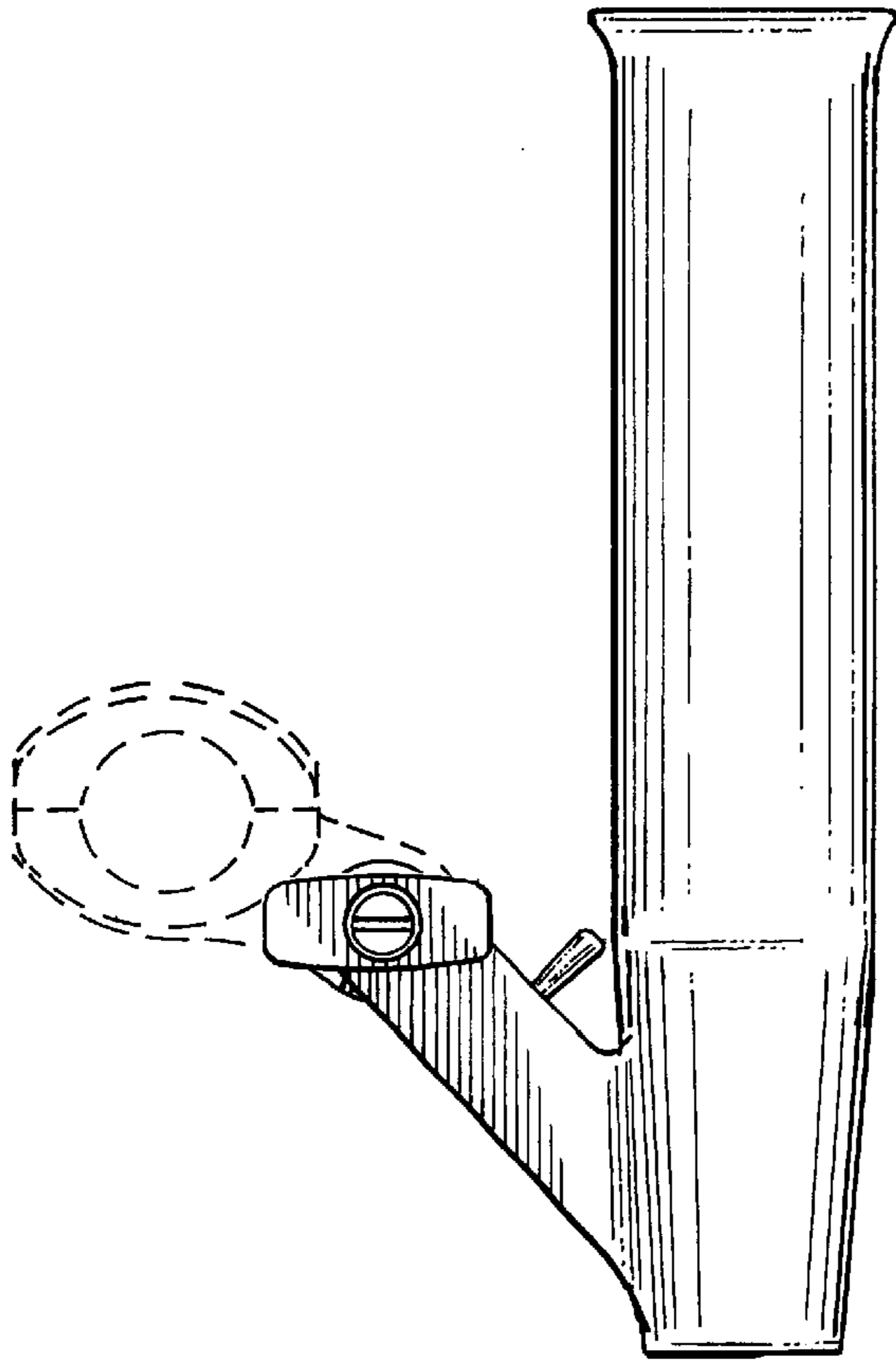


Fig. 13

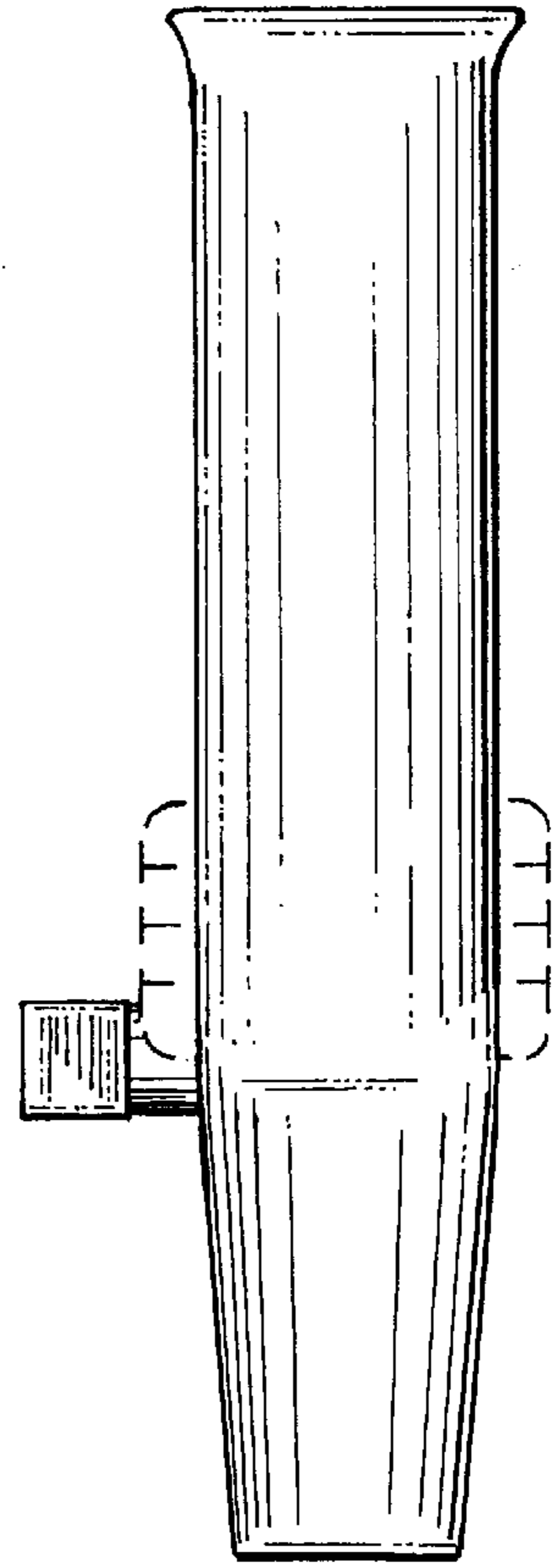


Fig. 14