



US00D480781S

(12) **United States Design Patent**
Pastor

(10) **Patent No.:** **US D480,781 S**

(45) **Date of Patent:** **** Oct. 14, 2003**

(54) **FISHING ROD HOLSTER**

(76) **Inventor:** **Paul A. Pastor**, 240 Lost La., Winston,
OR (US) 97496

(**) **Term:** **14 Years**

(21) **Appl. No.:** **29/170,096**

(22) **Filed:** **Oct. 29, 2002**

(51) **LOC (7) Cl.** **22-05**

(52) **U.S. Cl.** **D22/147**

(58) **Field of Search** D22/147, 148,
D22/109; 43/21.2, 26; 224/922, 242, 151,
253; 248/156, 514, 515, 528, 520

(56) **References Cited**

U.S. PATENT DOCUMENTS

D205,289 S	*	7/1966	Ring	D22/147
3,874,573 A		4/1975	Fruscella et al.	224/242
4,858,364 A		8/1989	Butts	43/21.2
D306,681 S	*	3/1990	Toca, III	D22/147
D315,012 S	*	2/1991	Koga	D22/147
5,024,018 A		6/1991	Ferrigno	43/21.2
5,123,578 A		6/1992	Morse	224/151
5,386,932 A		2/1995	Gross	224/253
5,738,257 A		4/1998	McConnell	224/922
5,813,162 A		9/1998	Tse et al.	43/21.2

D405,500 S	*	2/1999	Burby et al.	D22/147
5,992,717 A		11/1999	Clewes et al.	224/251
6,185,856 B1		2/2001	Yakabe	43/21.2
D459,784 S	*	7/2002	Smith	D22/147

* cited by examiner

Primary Examiner—Catherine R. Oliver

(74) *Attorney, Agent, or Firm*—Richard L. Miller

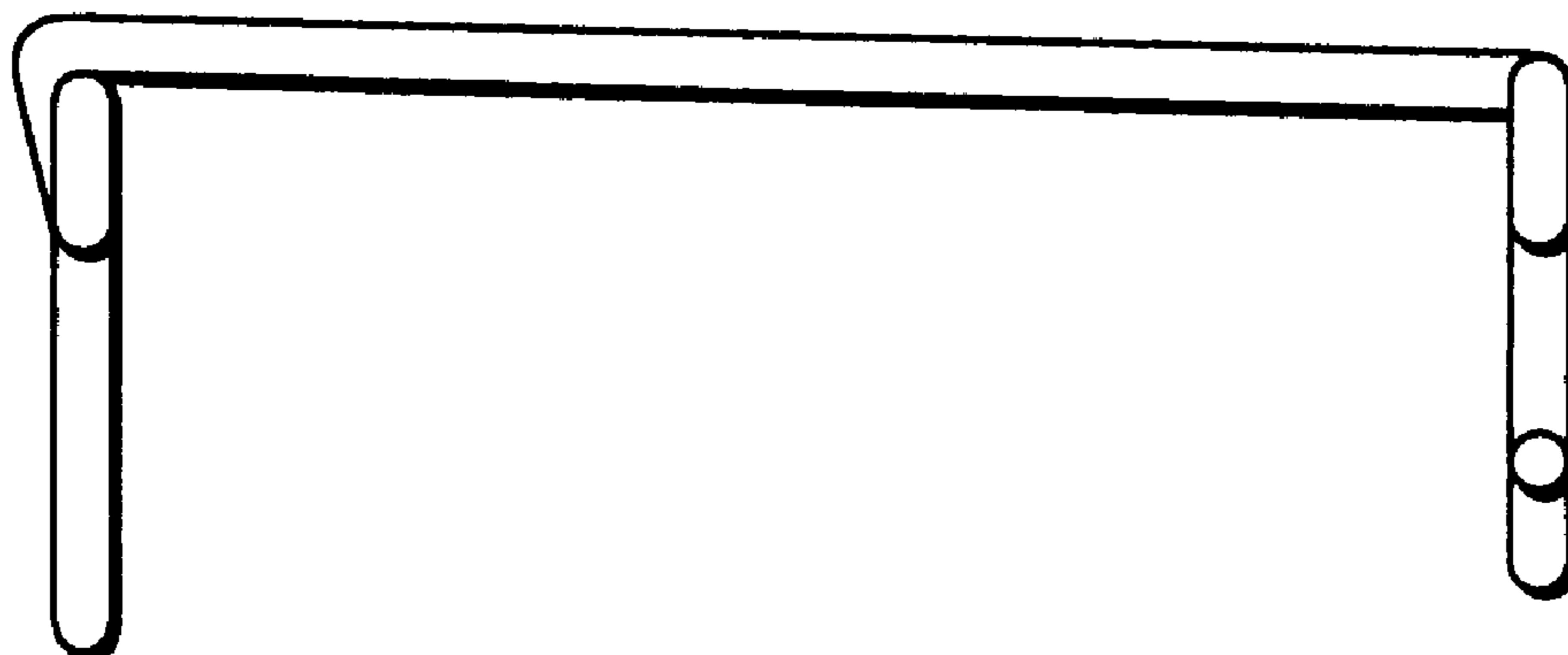
(57) **CLAIM**

The ornamental design for: fishing rod holster, as shown and described.

DESCRIPTION

FIG. 1 is a top plan view of a fishing rod holster showing my new design;
FIG. 2 is a right side elevational view thereof;
FIG. 3 is a front elevational view thereof;
FIG. 4 is a left side elevational view thereof;
FIG. 5 is a bottom plan view thereof;
FIG. 6 is a rear elevational view thereof; and,
FIG. 7 is a perspective view showing the invention in use, the broken line showing of environment being for illustrative purposes only and forming no part of the claimed design.

1 Claim, 1 Drawing Sheet



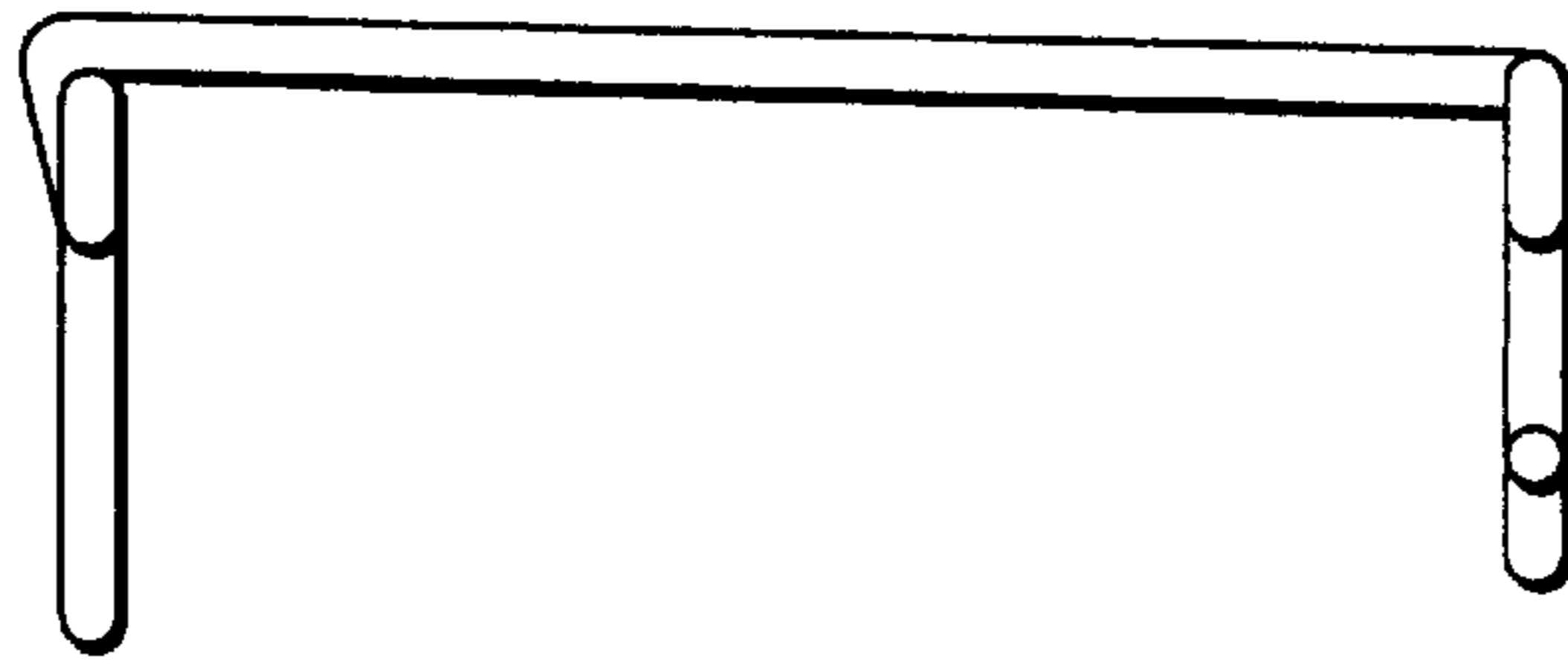


FIG. 1

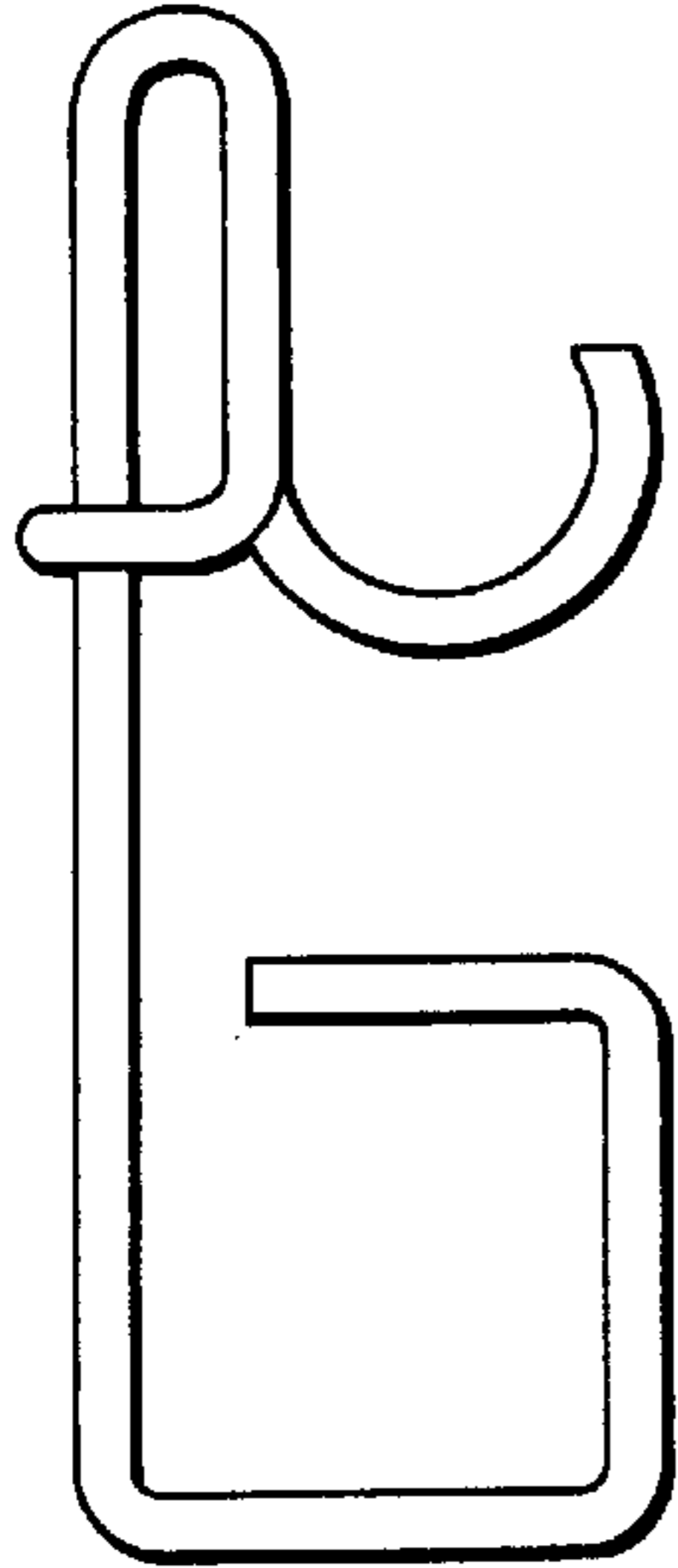


FIG. 2

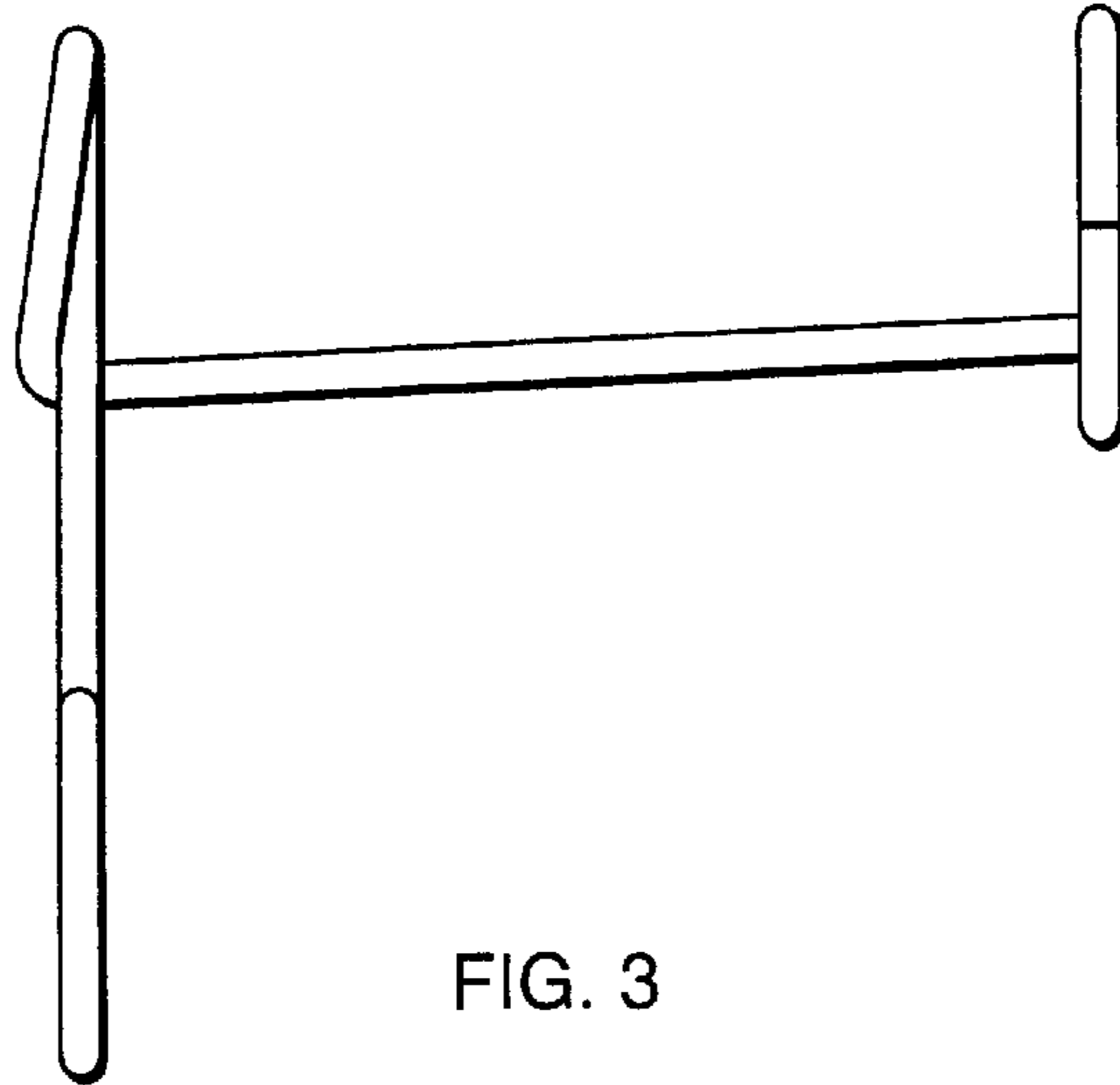


FIG. 3

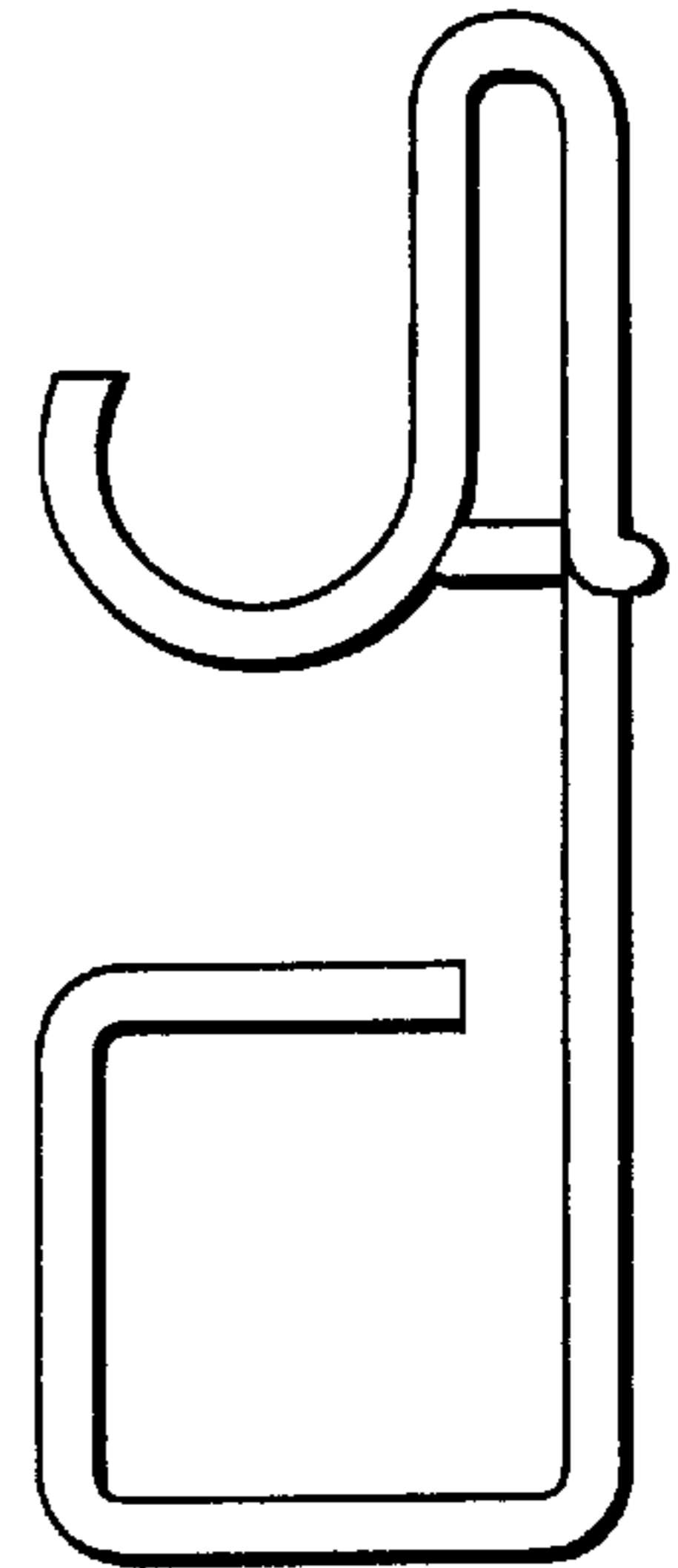


FIG. 4



FIG. 5

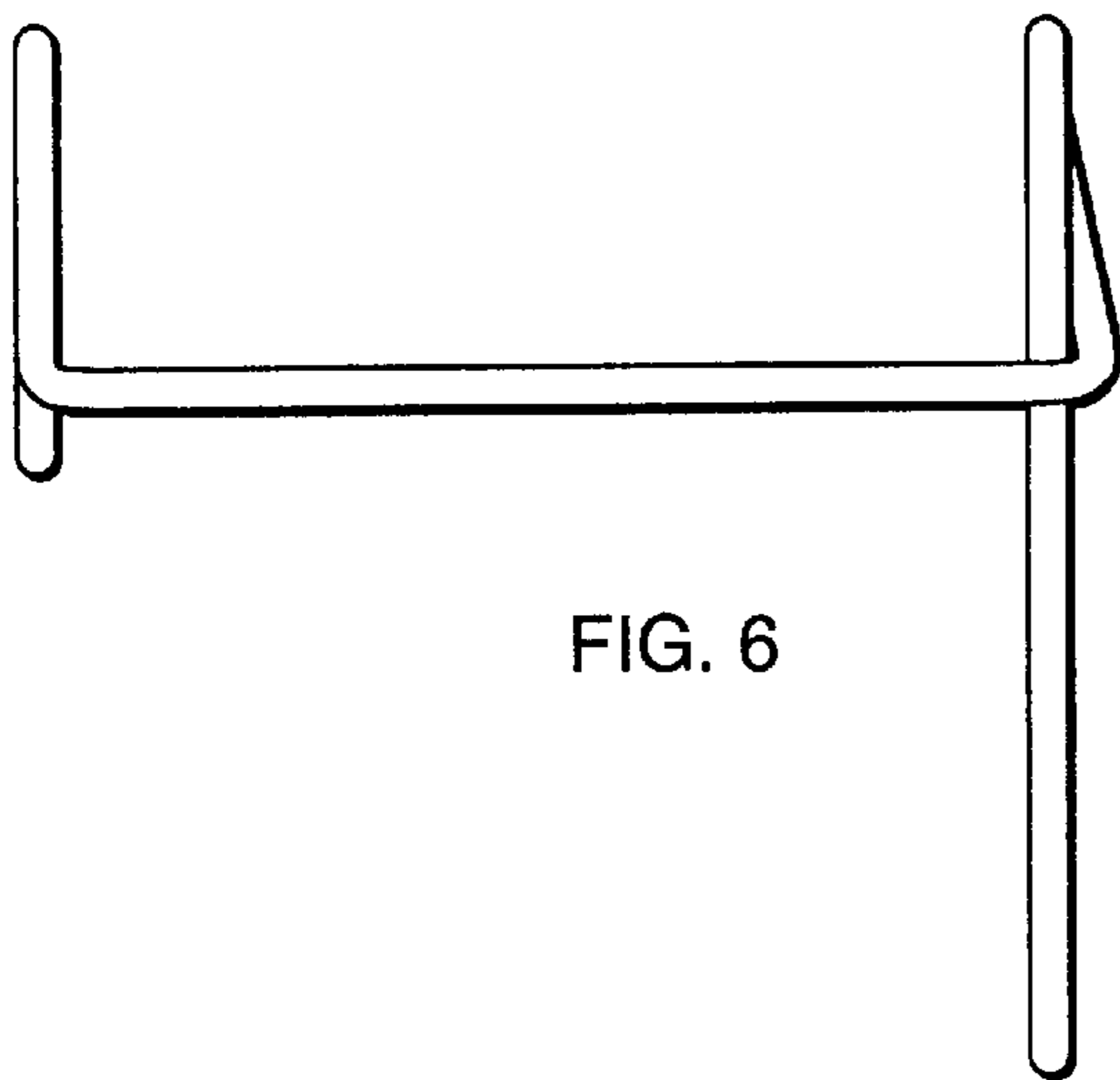


FIG. 6

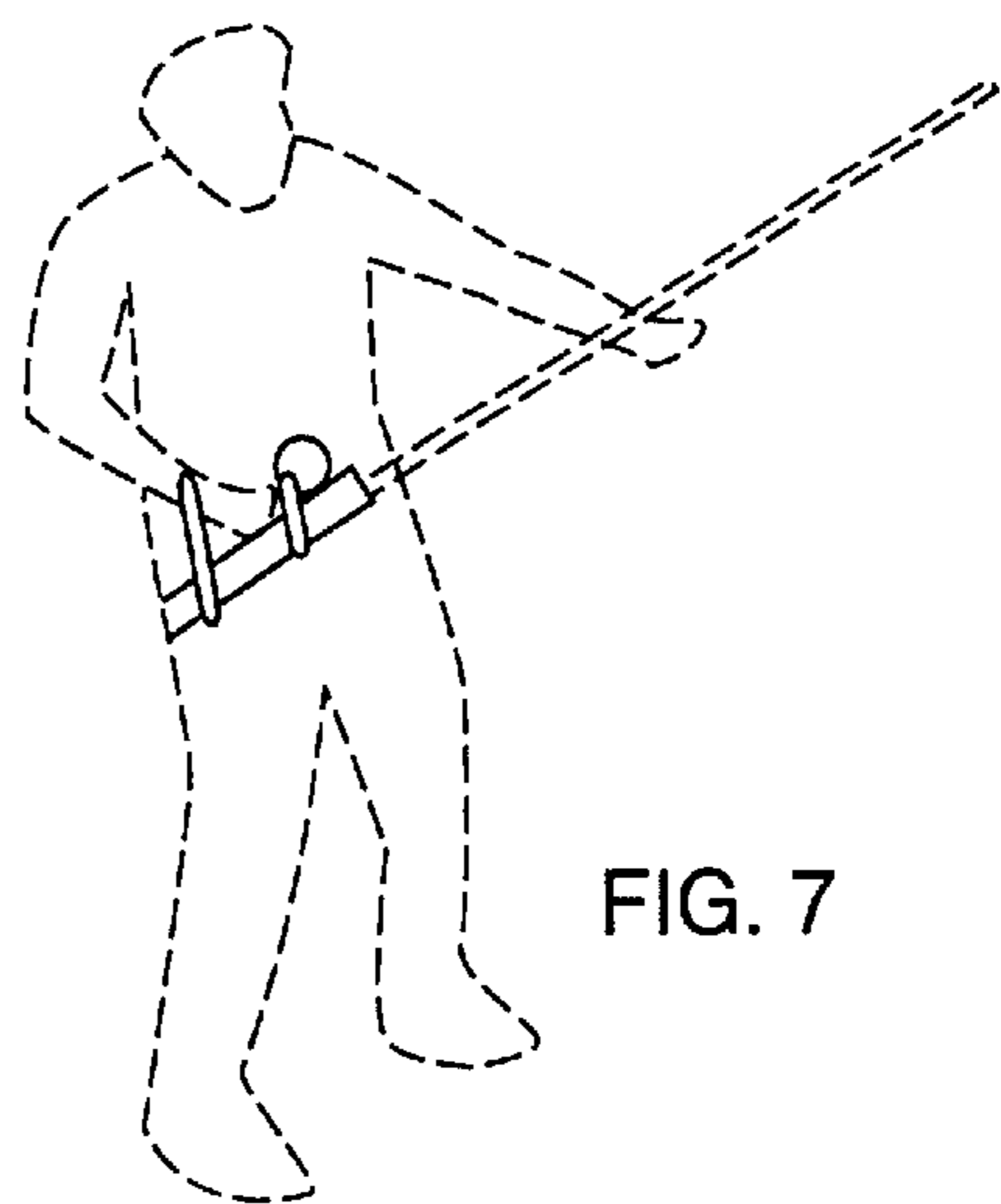


FIG. 7