



US00D480776S

(12) **United States Design Patent**  
**Faulk et al.**

(10) **Patent No.:** **US D480,776 S**

(45) **Date of Patent:** **\*\* Oct. 14, 2003**

(54) **PORTABLE GOLF BALL WASHER**

D366,685 S 1/1996 Faulk et al. .... D21/795  
D371,413 S \* 7/1996 Crausby et al. .... D21/795  
D387,117 S \* 12/1997 Danyluk .... D21/795

(76) Inventors: **Charles A. Faulk**, 1625 S. 109th St.,  
Omaha, NE (US) 68144; **Robert M. Faulk**, 9925 Devonshire Dr., Omaha,  
NE (US) 68114

\* cited by examiner

(\*\*) Term: **14 Years**

*Primary Examiner*—Mitchell Siegel  
(74) *Attorney, Agent, or Firm*—Thomte, Mazour &  
Niebergall; Dennis L. Thomte

(21) Appl. No.: **29/171,294**

(57) **CLAIM**

(22) Filed: **Nov. 20, 2002**

The ornamental design for a portable golf ball washer, as shown and described.

(51) **LOC (7) Cl.** ..... **21-02**

(52) **U.S. Cl.** ..... **D21/789**

(58) **Field of Search** ..... D21/789, 795;  
D7/608; 15/21.2, 21.1, 97.1, 104.92; 206/315.9,  
315.1; 324/918, 919, 163

**DESCRIPTION**

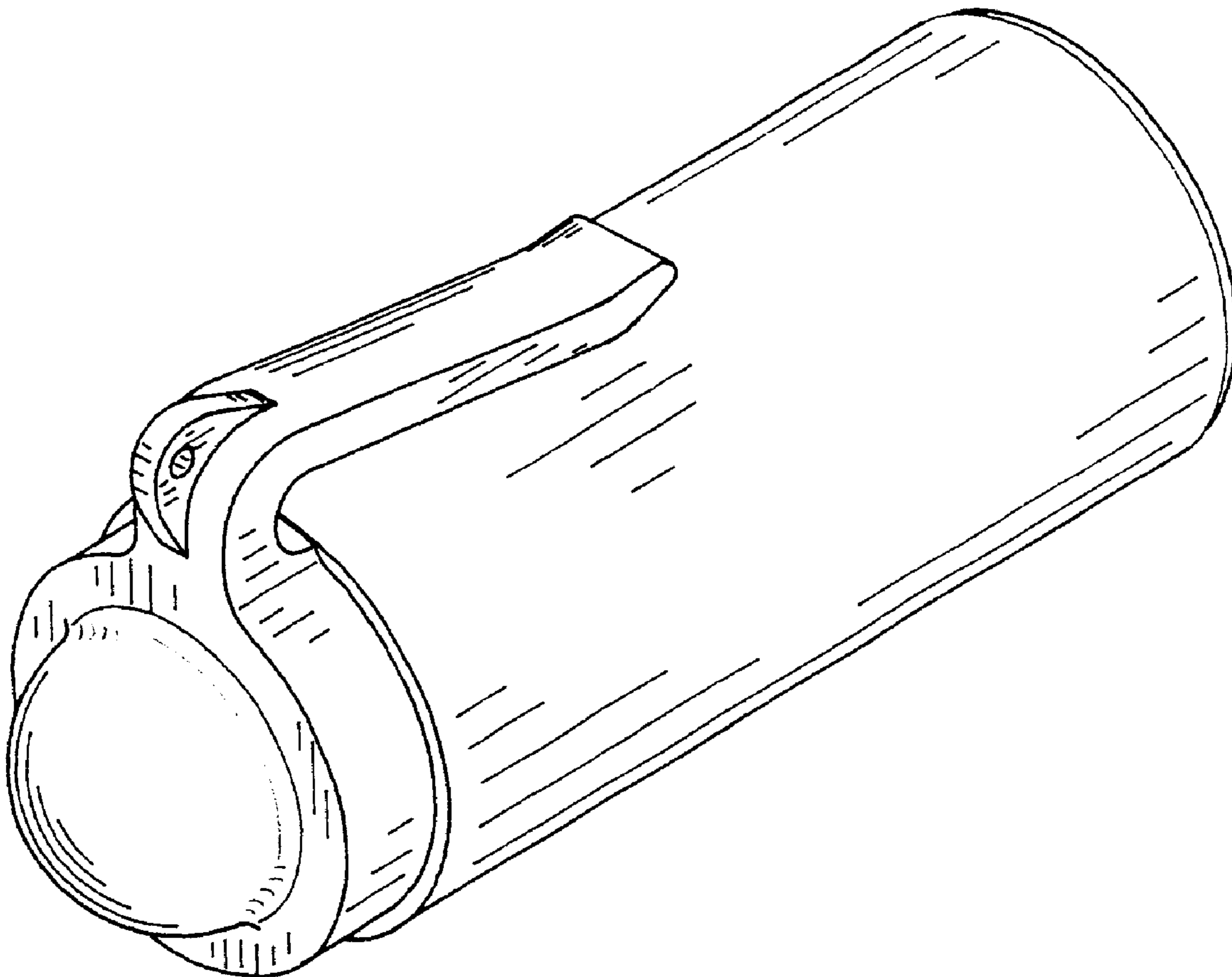
(56) **References Cited**

**U.S. PATENT DOCUMENTS**

3,583,016 A \* 6/1971 McConnell ..... 15/97.1  
D228,799 S \* 10/1973 Reddy ..... D21/795  
D233,361 S \* 10/1974 Norden ..... D21/795  
4,750,232 A \* 6/1988 Doney ..... 15/104.92

FIG. 1 is a perspective view of the portable golf ball washer showing my new design;  
FIG. 2 is a side elevational view thereof, the opposite side view being a mirror image thereof;  
FIG. 3 is a front elevational view thereof;  
FIG. 4 is a rear elevational view thereof;  
FIG. 5 is a top plan view thereof; and,  
FIG. 6 is a bottom plan view thereof.

**1 Claim, 1 Drawing Sheet**



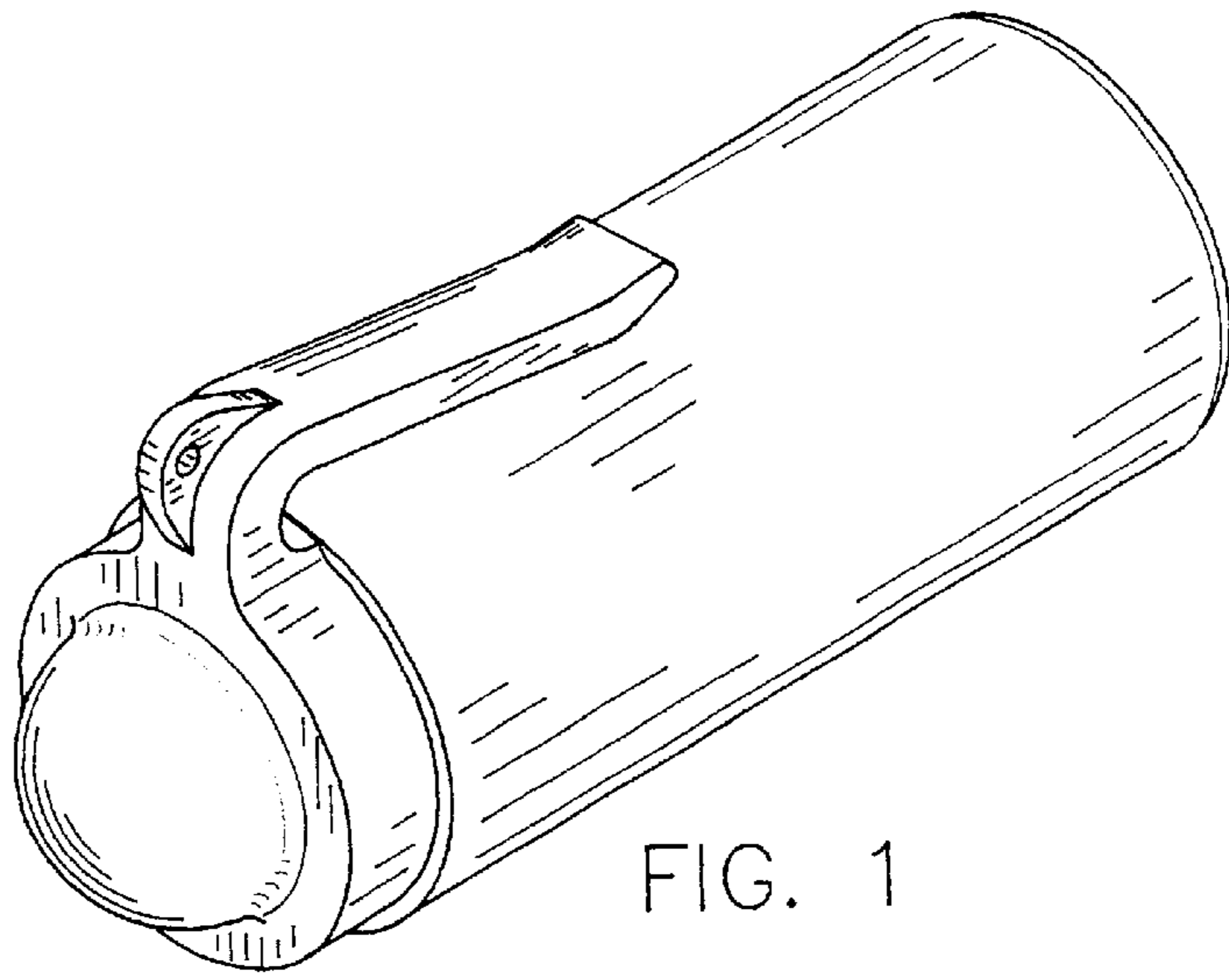


FIG. 1

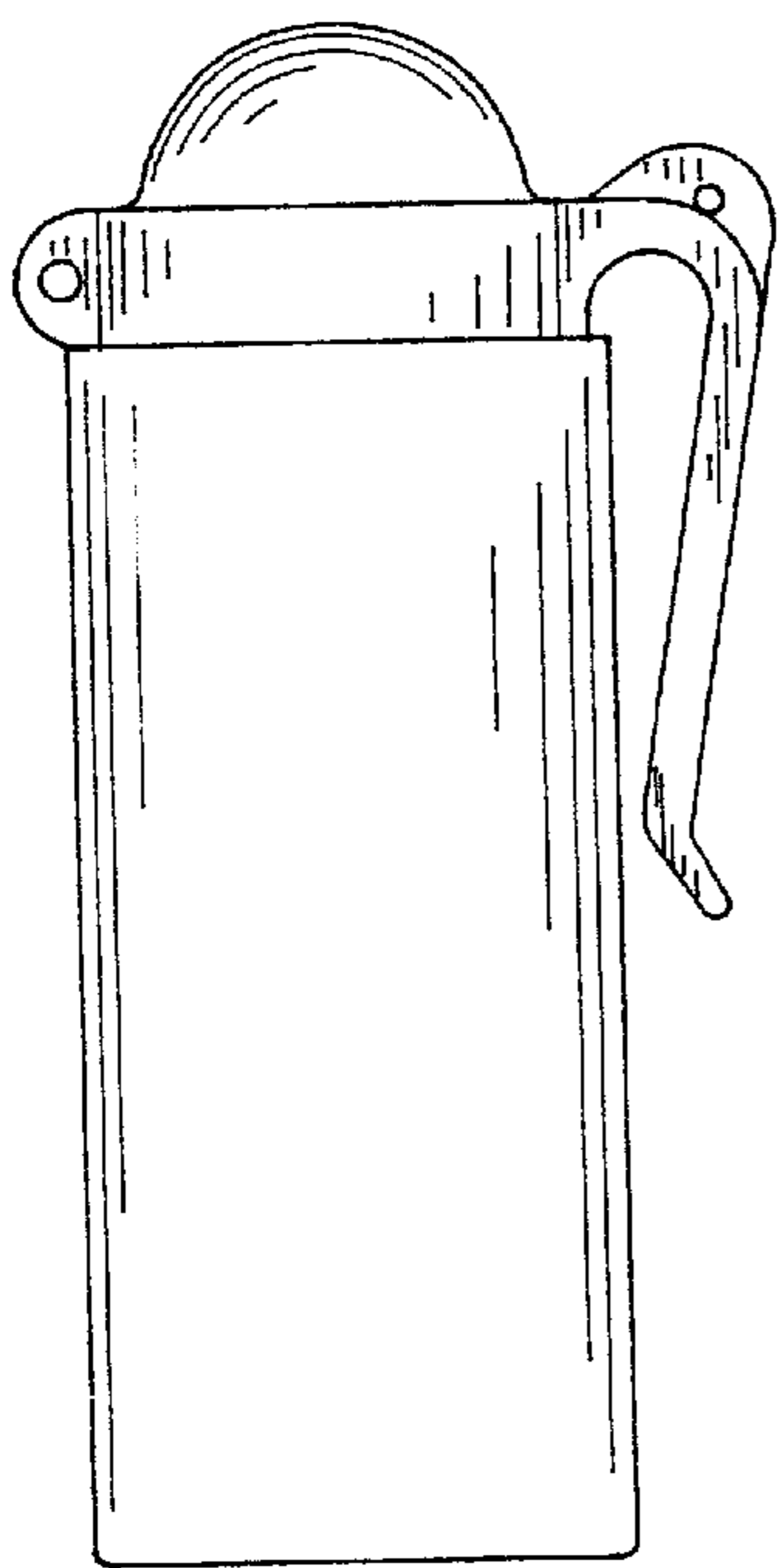


FIG. 2

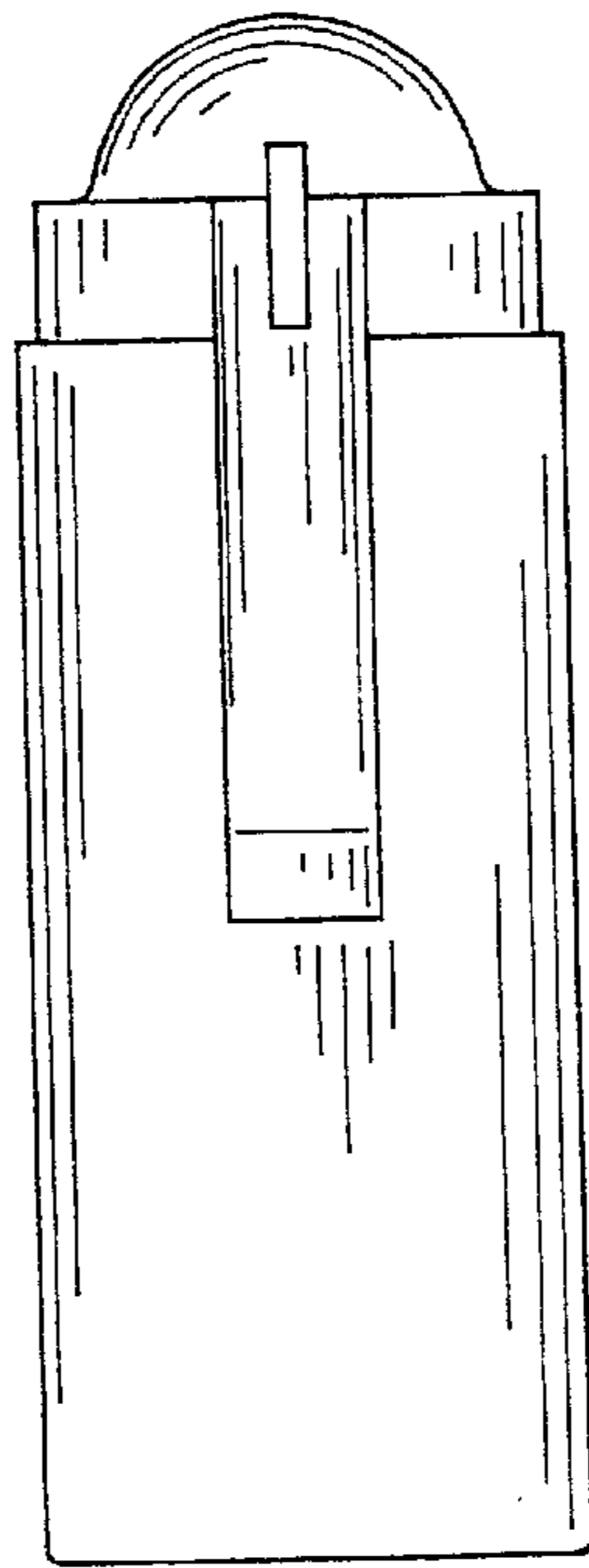


FIG. 3

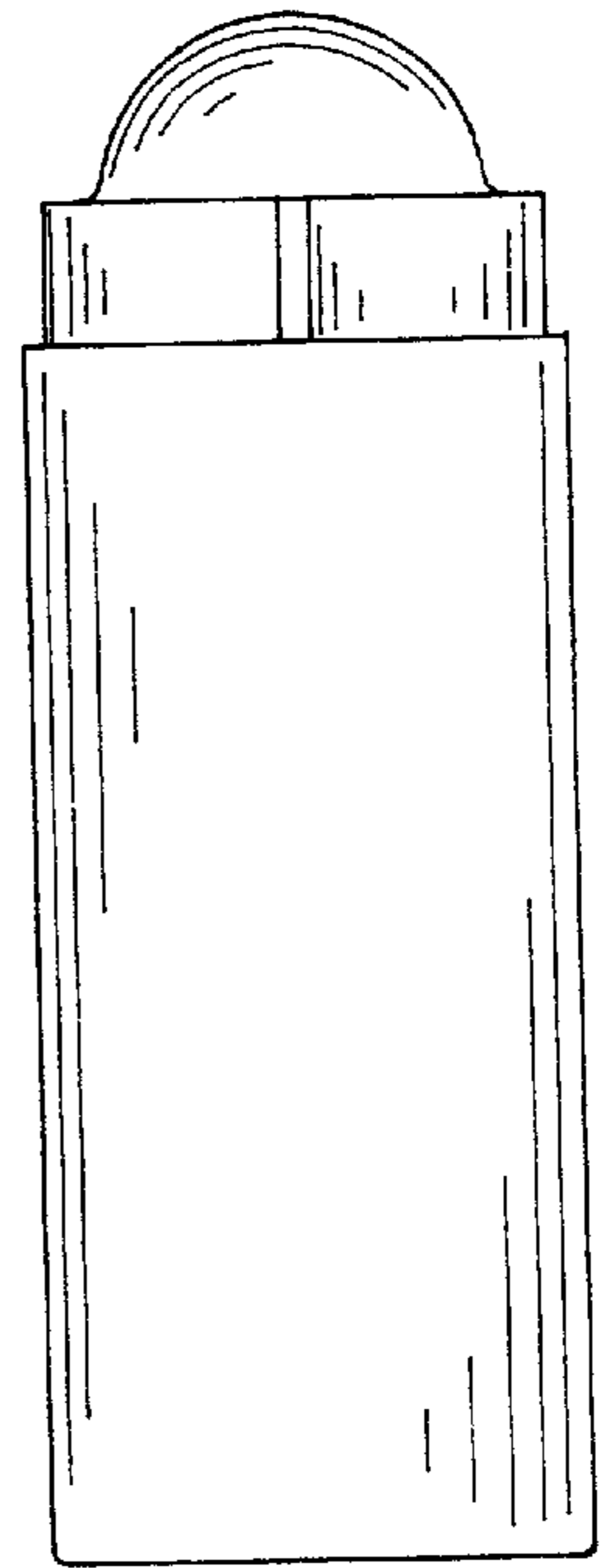


FIG. 4

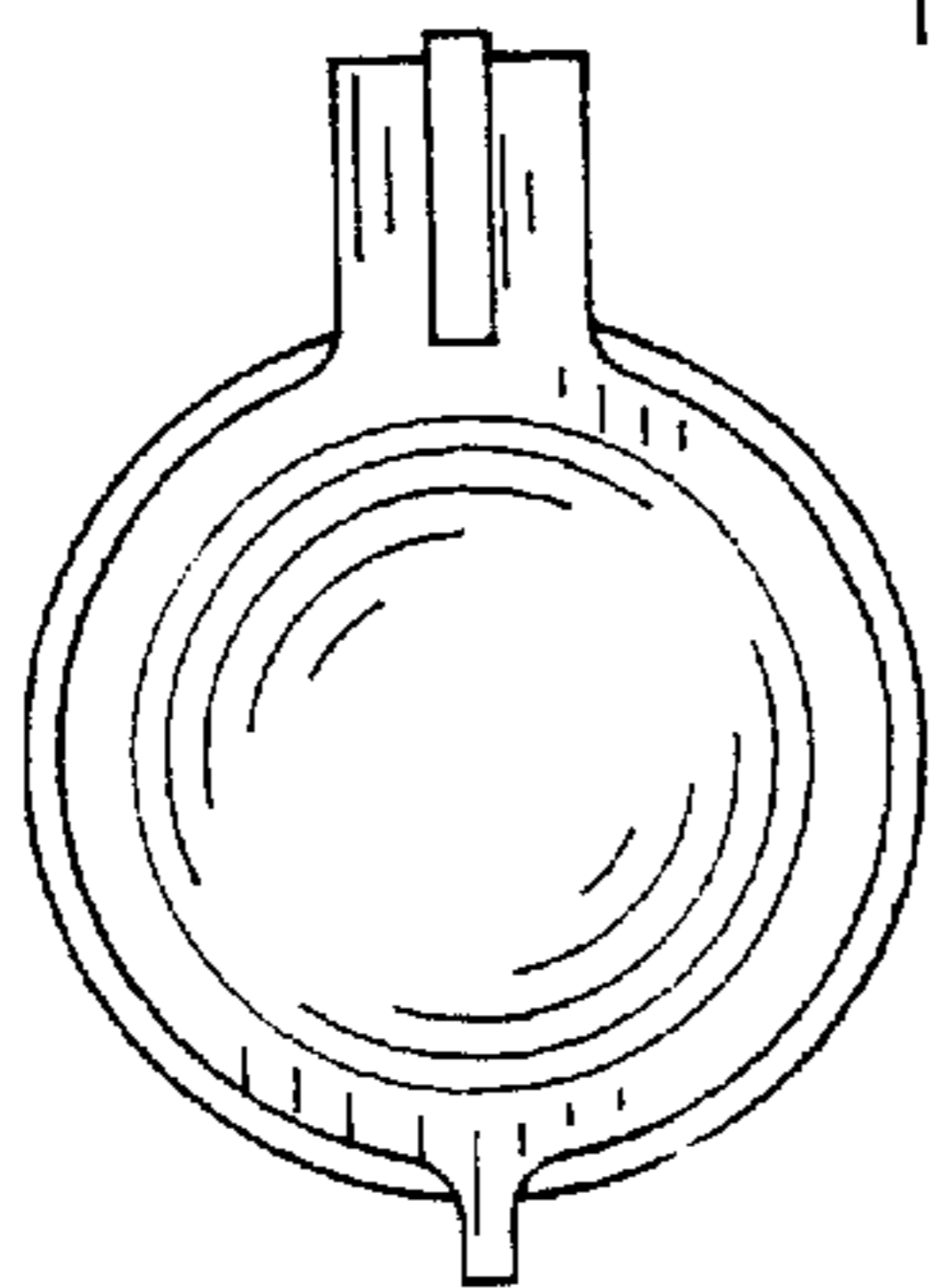


FIG. 5

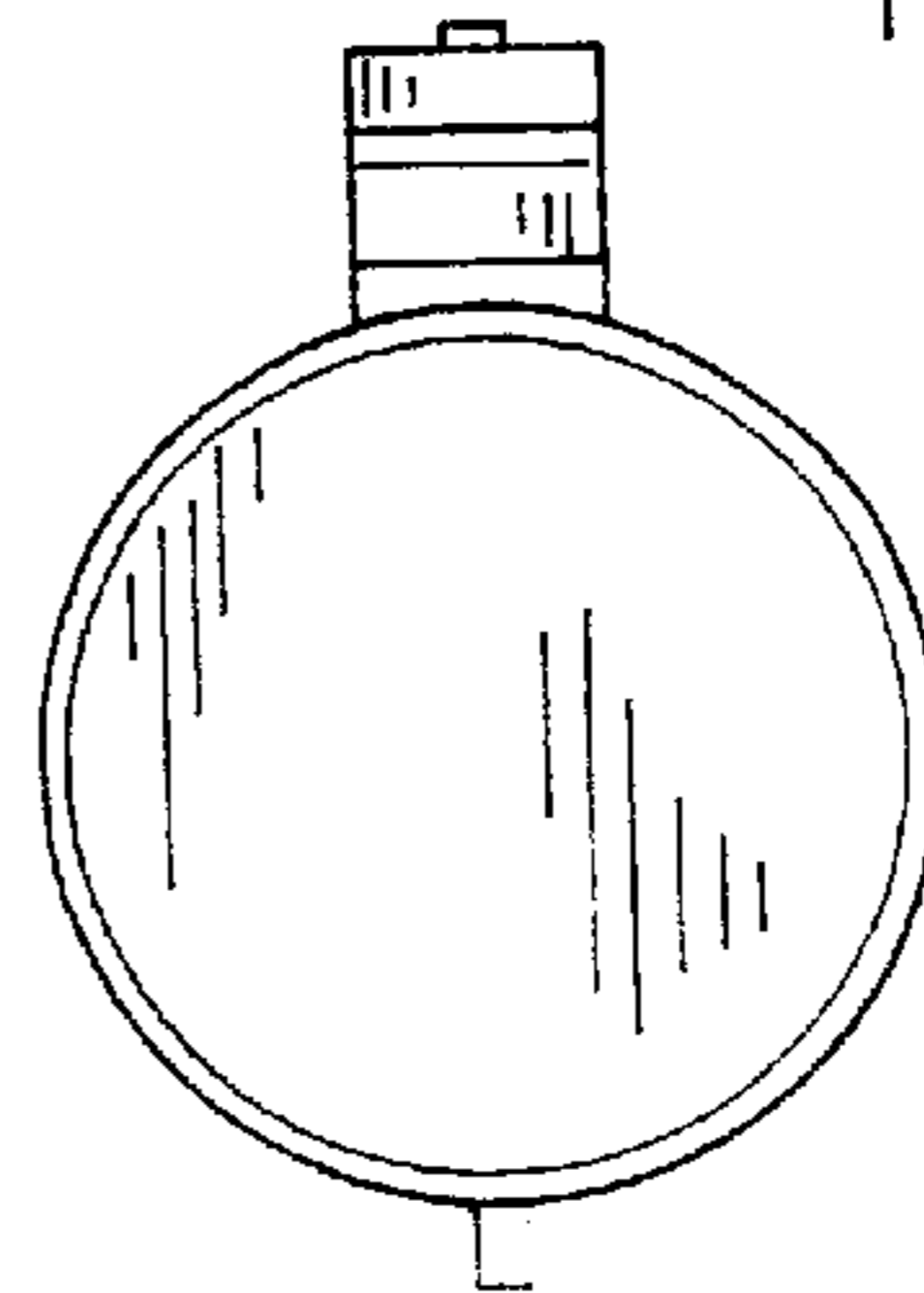


FIG. 6