



US00D480775S

(12) **United States Design Patent**
Fischer

(10) **Patent No.:** **US D480,775 S**

(45) **Date of Patent:** **** Oct. 14, 2003**

(54) **LAWN BILLIARDS**

(76) **Inventor:** **Joseph L. Fischer**, 406 W. Water St.,
Cascade, WI (US) 53011

(**) **Term:** **14 Years**

(21) **Appl. No.:** **29/154,092**

(22) **Filed:** **Jan. 18, 2002**

(51) **LOC (7) Cl.** **21-02**

(52) **U.S. Cl.** **D21/782**

(58) **Field of Search** D21/316, 339,
D21/355, 698, 705, 706, 782-784, 699;
273/108.1; 473/1-53

D249,728 S	*	9/1978	Fried	D21/782
4,160,550 A		7/1979	Barrett		
4,875,680 A		10/1989	Gross		
4,957,288 A		9/1990	Kantner et al.		
D315,007 S	*	2/1991	Monneret	D21/784
5,591,087 A		1/1997	Salinas		
5,833,546 A		11/1998	Wang		

* cited by examiner

Primary Examiner—Ted Shooman

Assistant Examiner—C. Tuttle

(57) **CLAIM**

The ornamental design for the lawn billiards, as shown and described.

DESCRIPTION

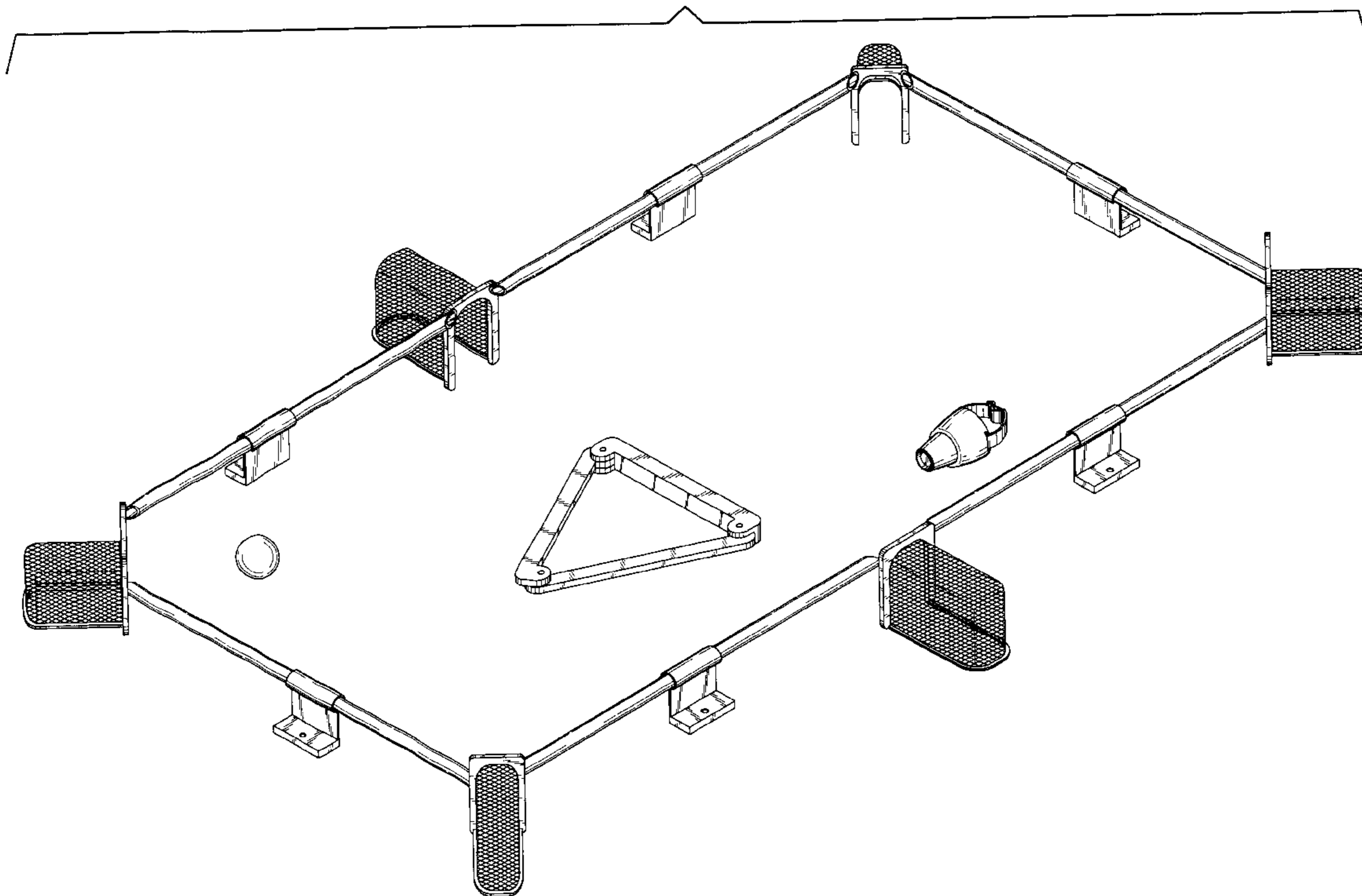
FIG. 1 is a perspective view of the lawn billiards, in accordance with the invention;
FIG. 2 is a left elevational view thereof;
FIG. 3 is a right elevational view thereof;
FIG. 4 is a front elevational view thereof;
FIG. 5 is a rear elevational view thereof;
FIG. 6 is a top plan view thereof; and,
FIG. 7 is a bottom plan view thereof.

(56) **References Cited**

U.S. PATENT DOCUMENTS

278,341 A	*	5/1883	Kelly	473/3
1,625,265 A		4/1927	Malloy		
1,661,965 A	*	3/1928	Ruse et al.	473/13
1,670,608 A	*	5/1928	Christoph	473/13
2,014,788 A	*	9/1935	Strickler et al.	473/3
2,809,040 A	*	10/1957	Trovato	473/3
3,578,321 A		5/1971	Skully		
3,591,176 A		7/1971	Roth		
3,992,005 A	*	11/1976	Richey	473/40

1 Claim, 5 Drawing Sheets



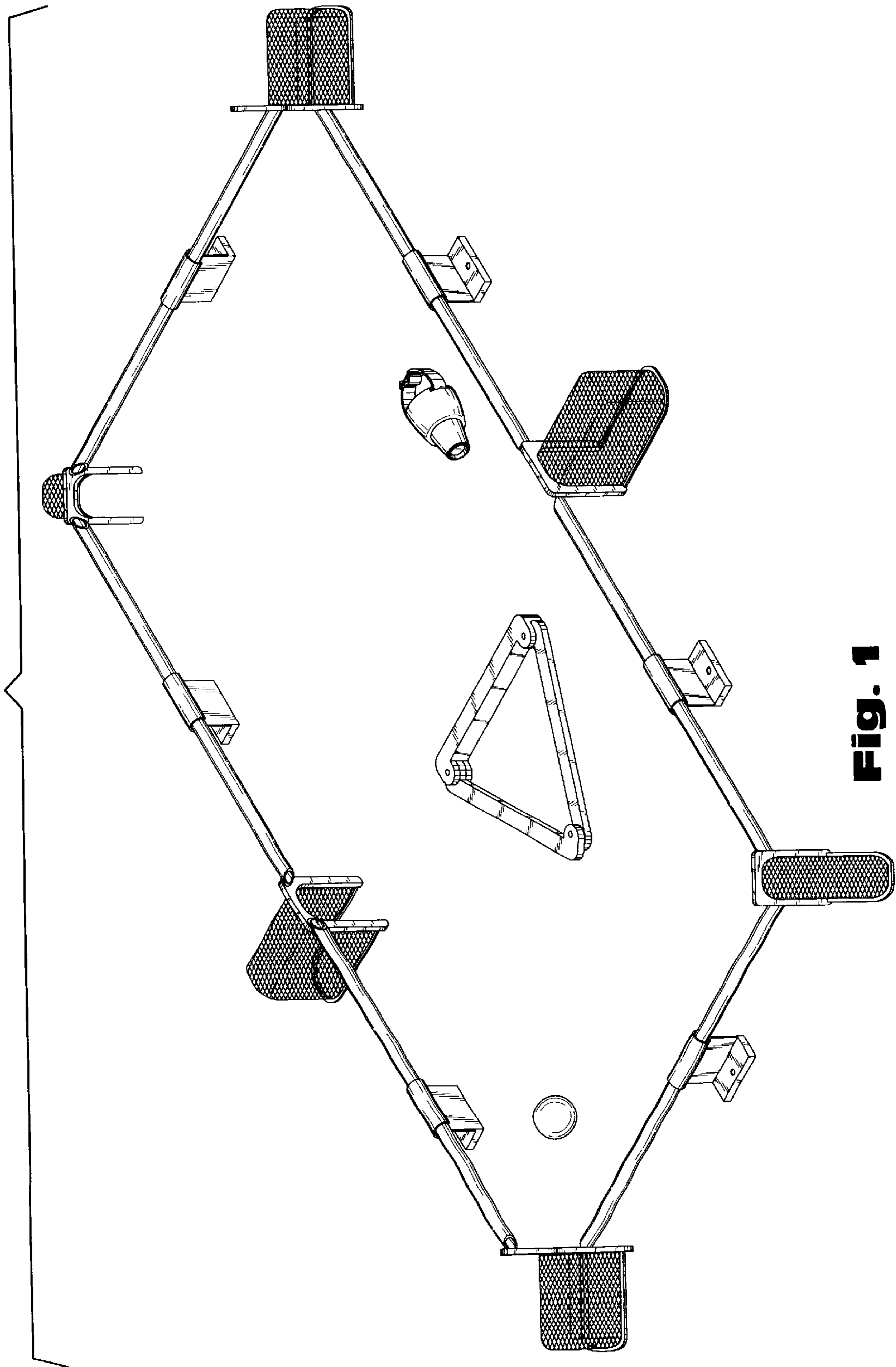


Fig. 1

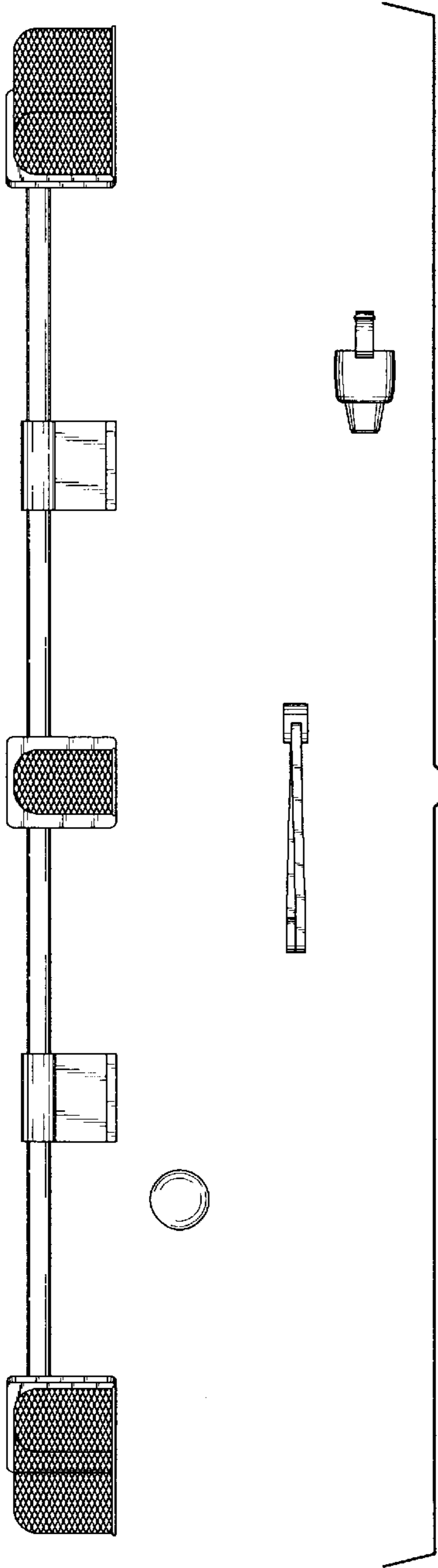


Fig. 2

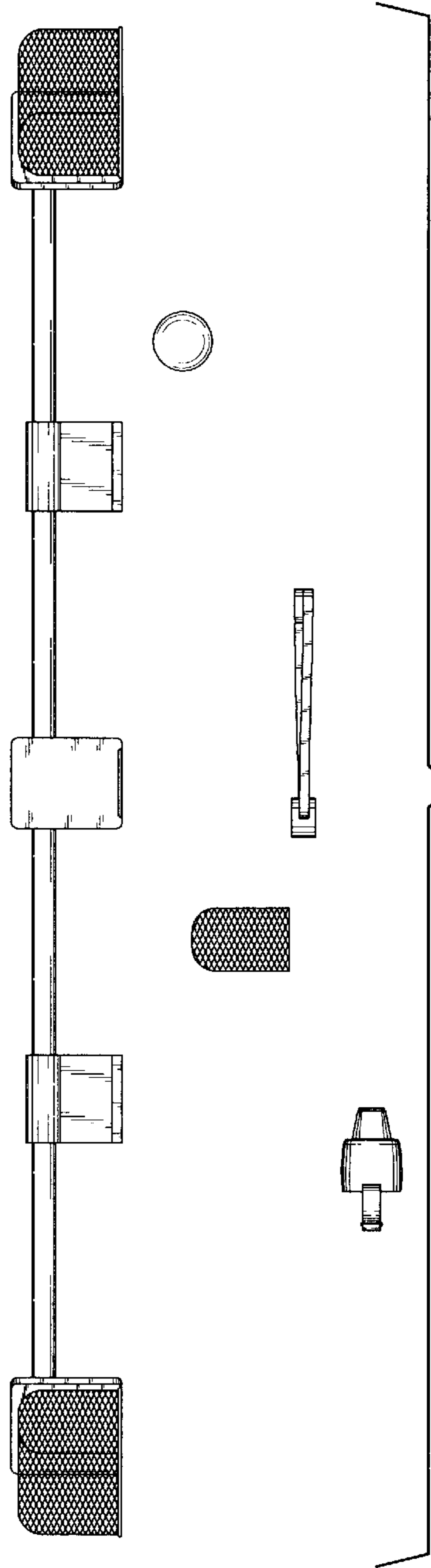


Fig. 3

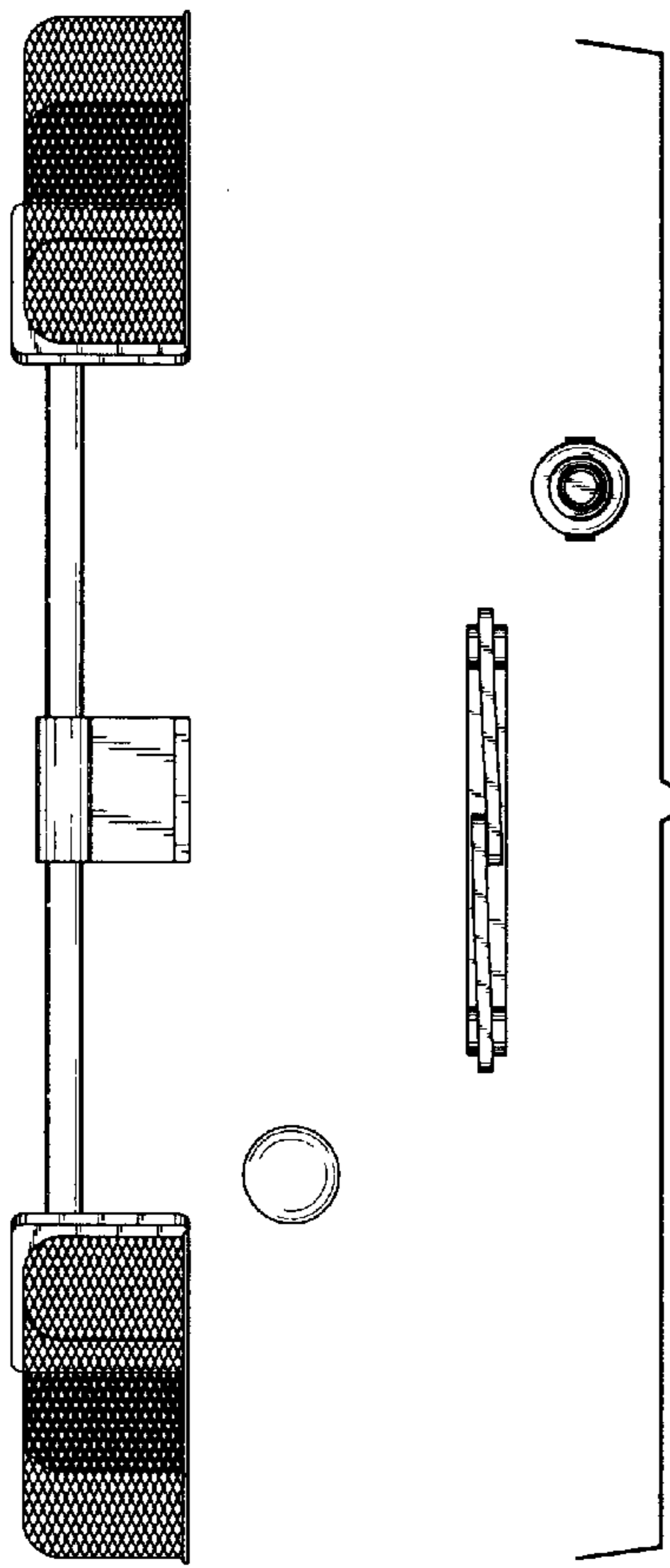


Fig. 4

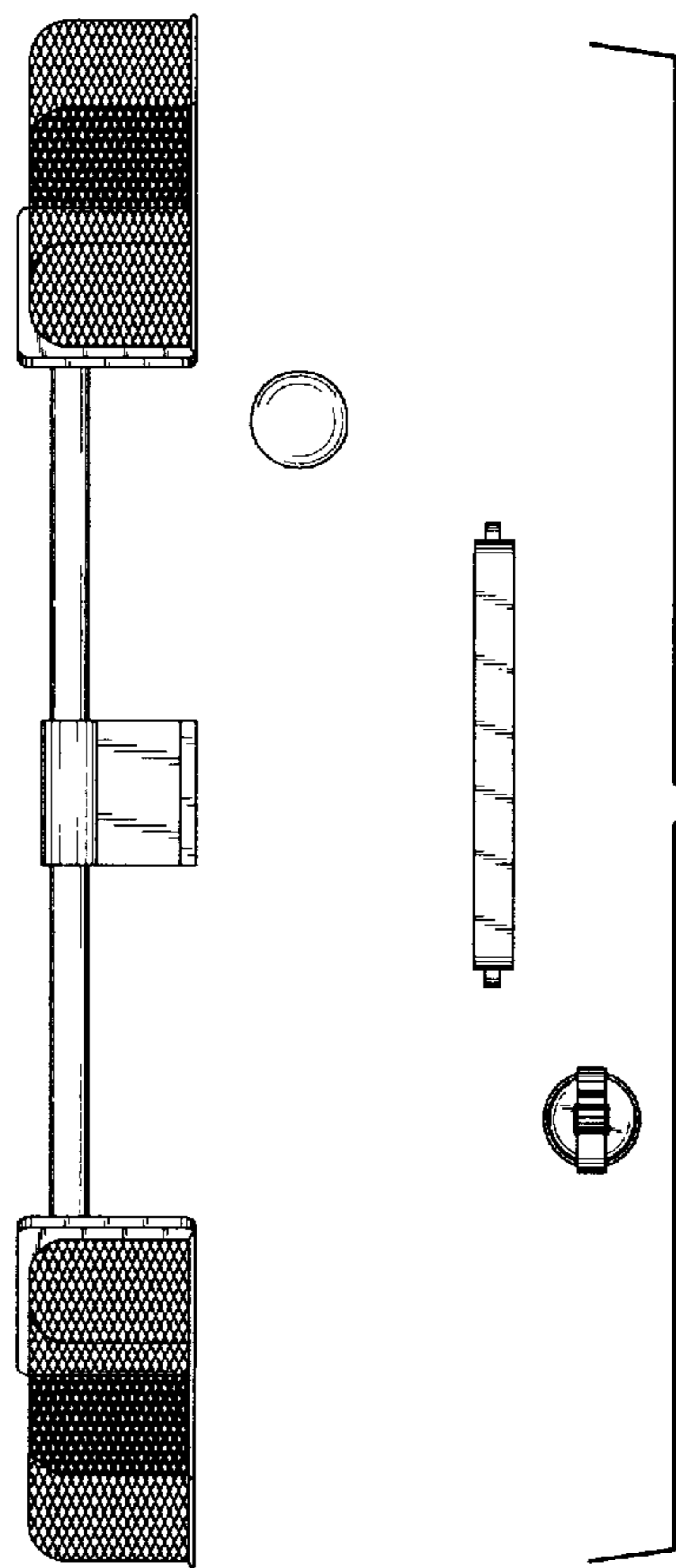


Fig. 5

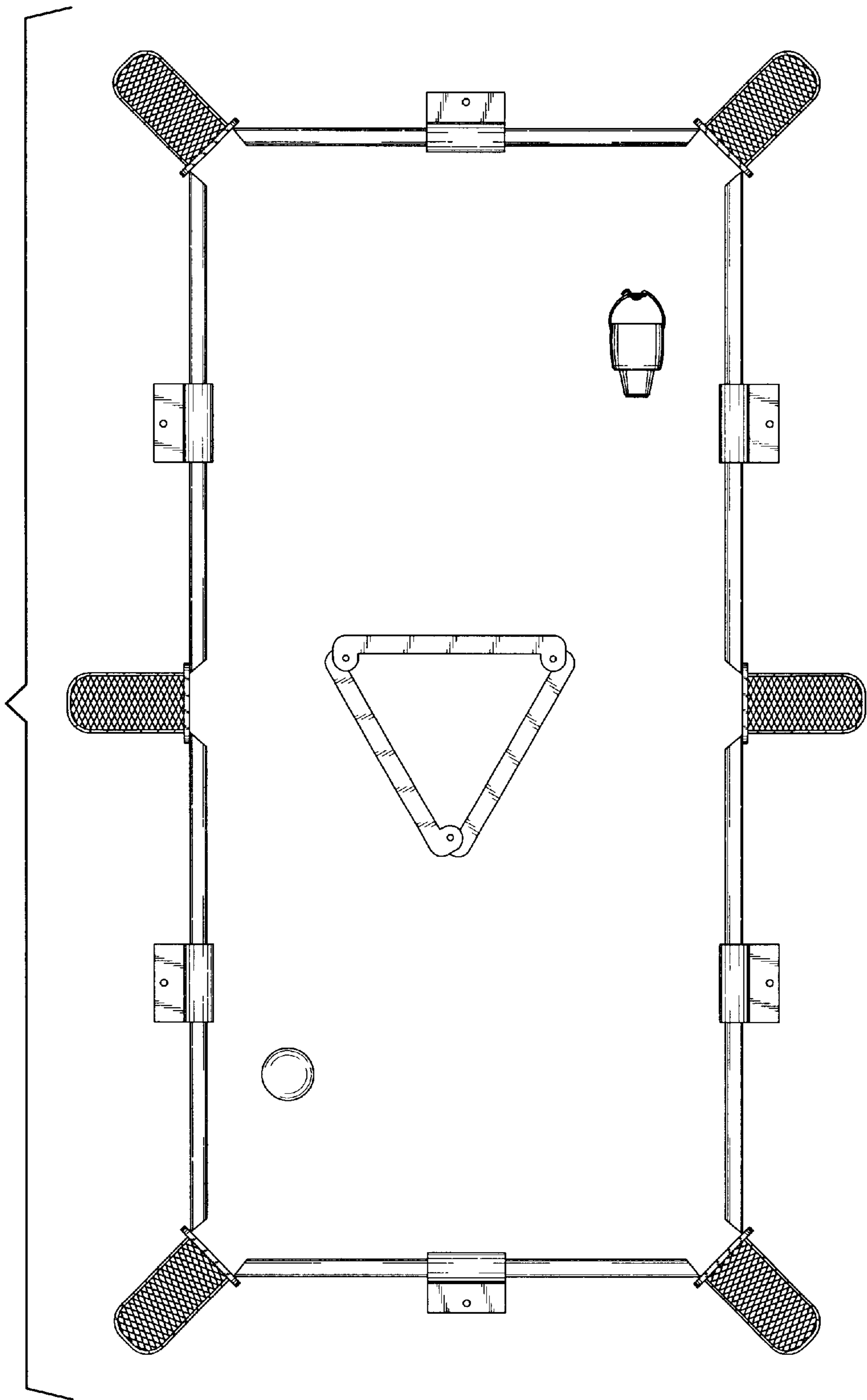


Fig. 6

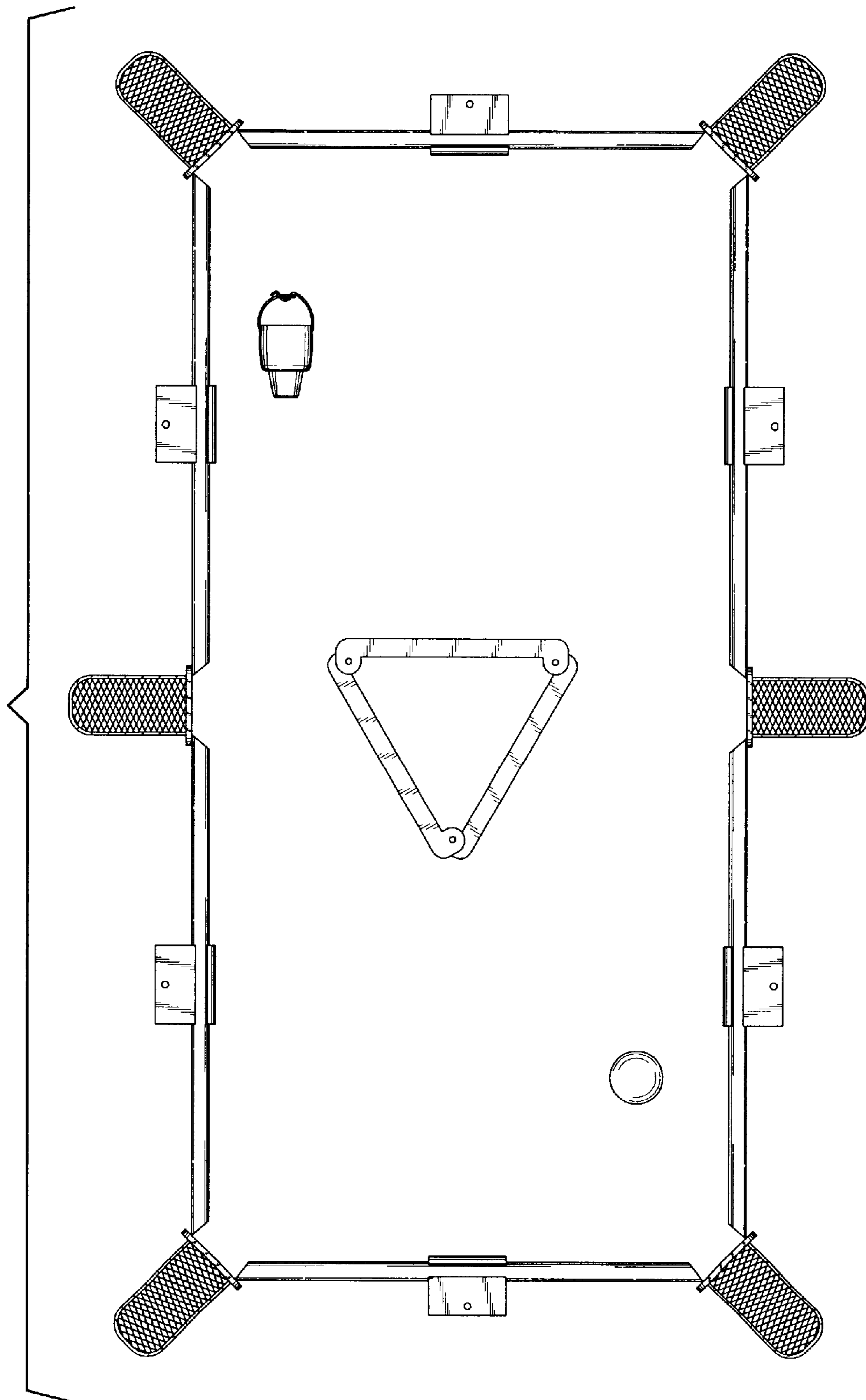


Fig. 7