



US00D480772S

(12) **United States Design Patent**  
**Washington**

(10) **Patent No.:** **US D480,772 S**

(45) **Date of Patent:** **\*\* Oct. 14, 2003**

(54) **STATIONARY EXERCISE APPARATUS**

(76) **Inventor:** **Erick Washington**, 3511 Marble Arch Dr., Pasadena, MD (US) 21122

(\*\*) **Term:** **14 Years**

(21) **Appl. No.:** **29/169,582**

(22) **Filed:** **Oct. 23, 2002**

(51) **LOC (7) Cl.** ..... **21-02**

(52) **U.S. Cl.** ..... **D21/686**

(58) **Field of Search** ..... D21/662, 686,  
D21/687, 690, 691; 482/140, 141, 142,  
148, 38

(56) **References Cited**

**U.S. PATENT DOCUMENTS**

D265,575 S	*	7/1982	Lunford	.....	D21/691
D267,419 S	*	12/1982	Komarnicki	.....	D21/691
4,638,995 A	*	1/1987	Wilson	.....	482/142
D290,033 S	*	5/1987	Policastro	.....	D21/691
D324,708 S	*	3/1992	Walsh	.....	D21/691

D339,835 S	*	9/1993	Hsieh	.....	D21/691
5,407,404 A	*	4/1995	Killian et al.	.....	482/38
D372,059 S	*	7/1996	Taylor	.....	D21/691
6,248,048 B1	*	6/2001	Zuckerman et al.	.....	482/142

\* cited by examiner

*Primary Examiner*—Philip S. Hyder

(74) *Attorney, Agent, or Firm*—Lawrence E. Laubscher, Jr.

(57) **CLAIM**

The ornamental design for a stationary exercise apparatus, as shown.

**DESCRIPTION**

FIG. 1 is a left side elevation view of the invention illustrating my design;  
FIG. 2 is a top view thereof;  
FIG. 3 is a front elevation view thereof;  
FIG. 4 is a rear elevation view thereof;  
FIG. 5 is a right side elevation view thereof; and,  
FIG. 6 is a perspective view thereof.

**1 Claim, 3 Drawing Sheets**

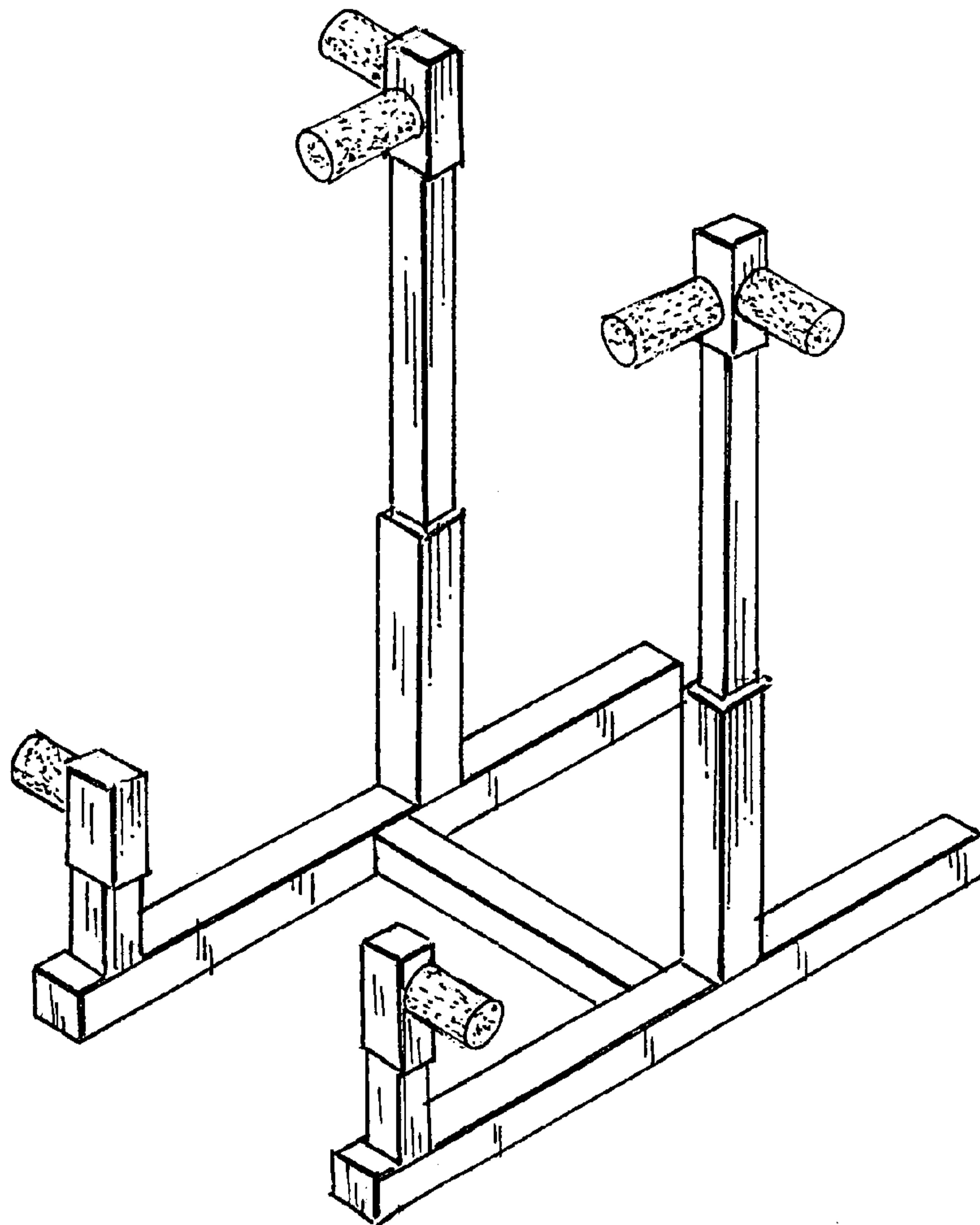


FIG. 1

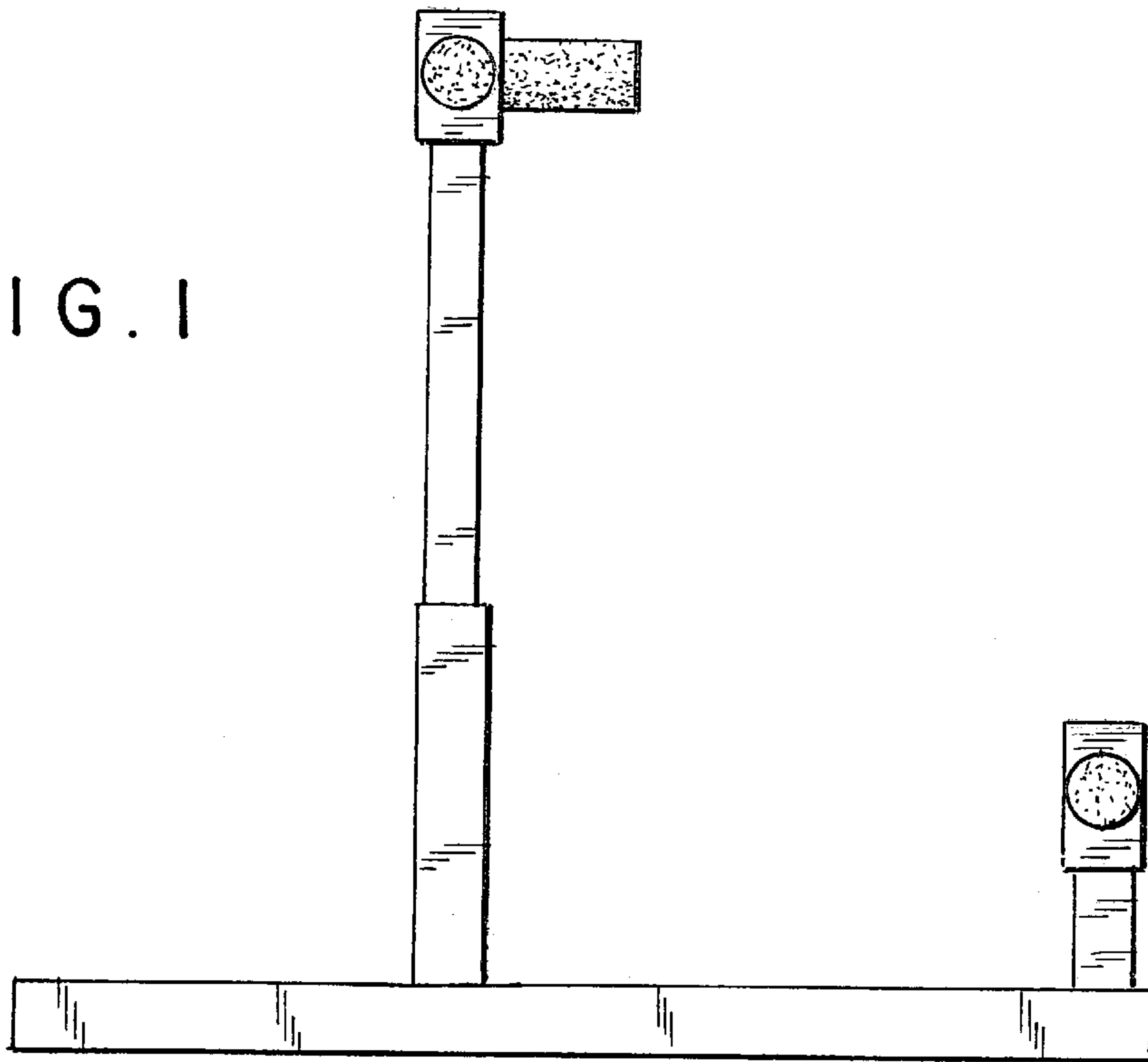


FIG. 2

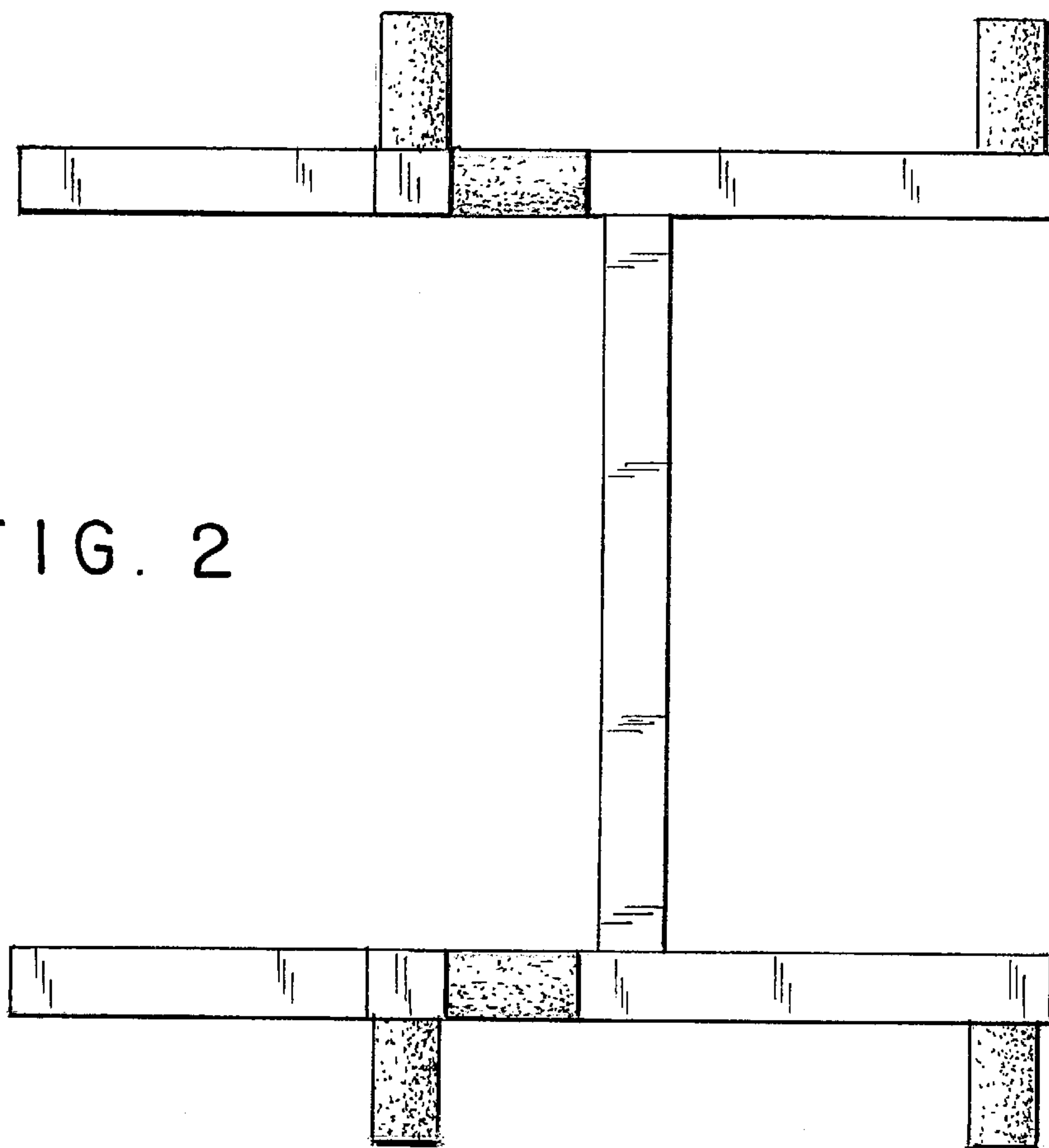


FIG. 3

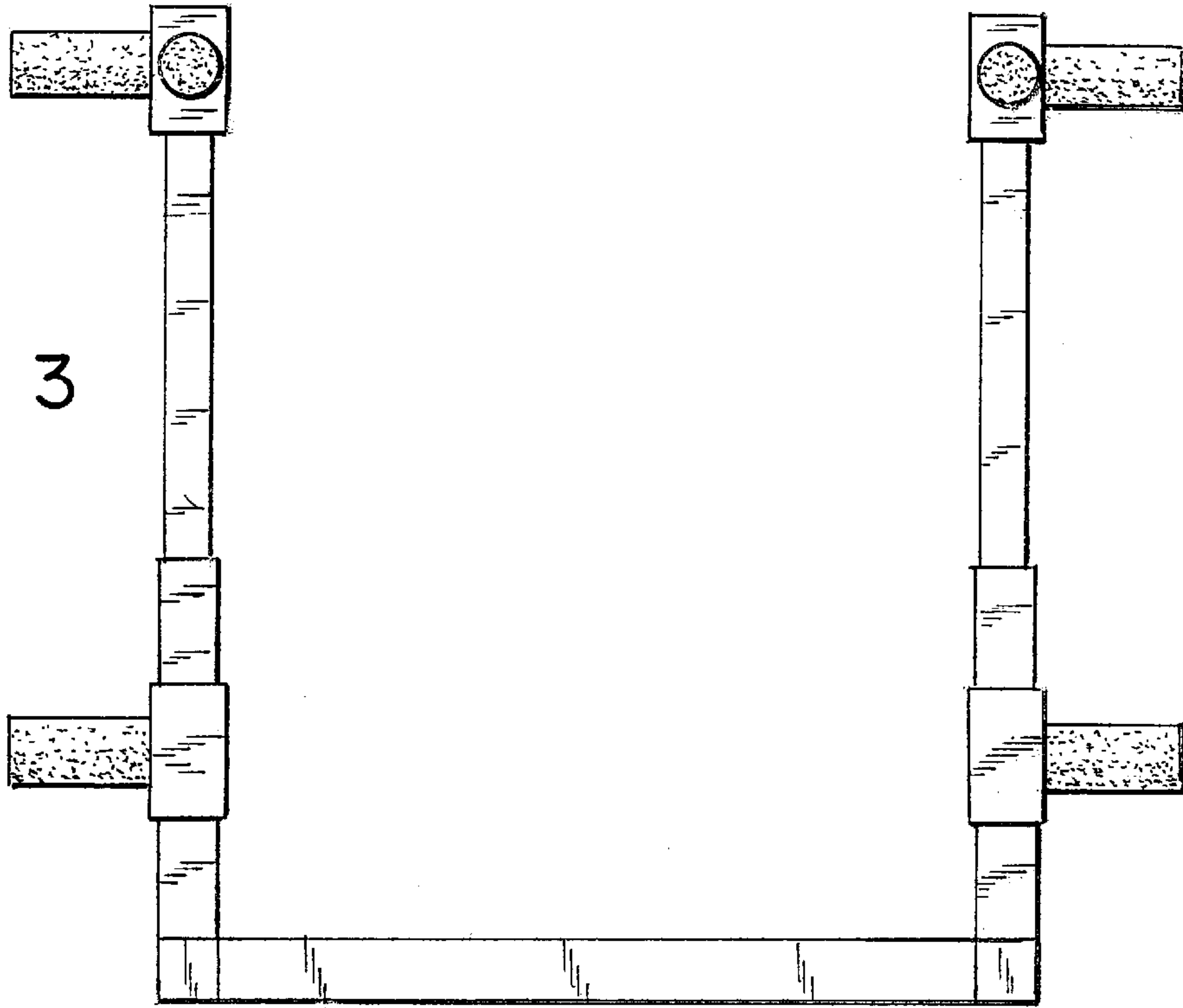


FIG. 4

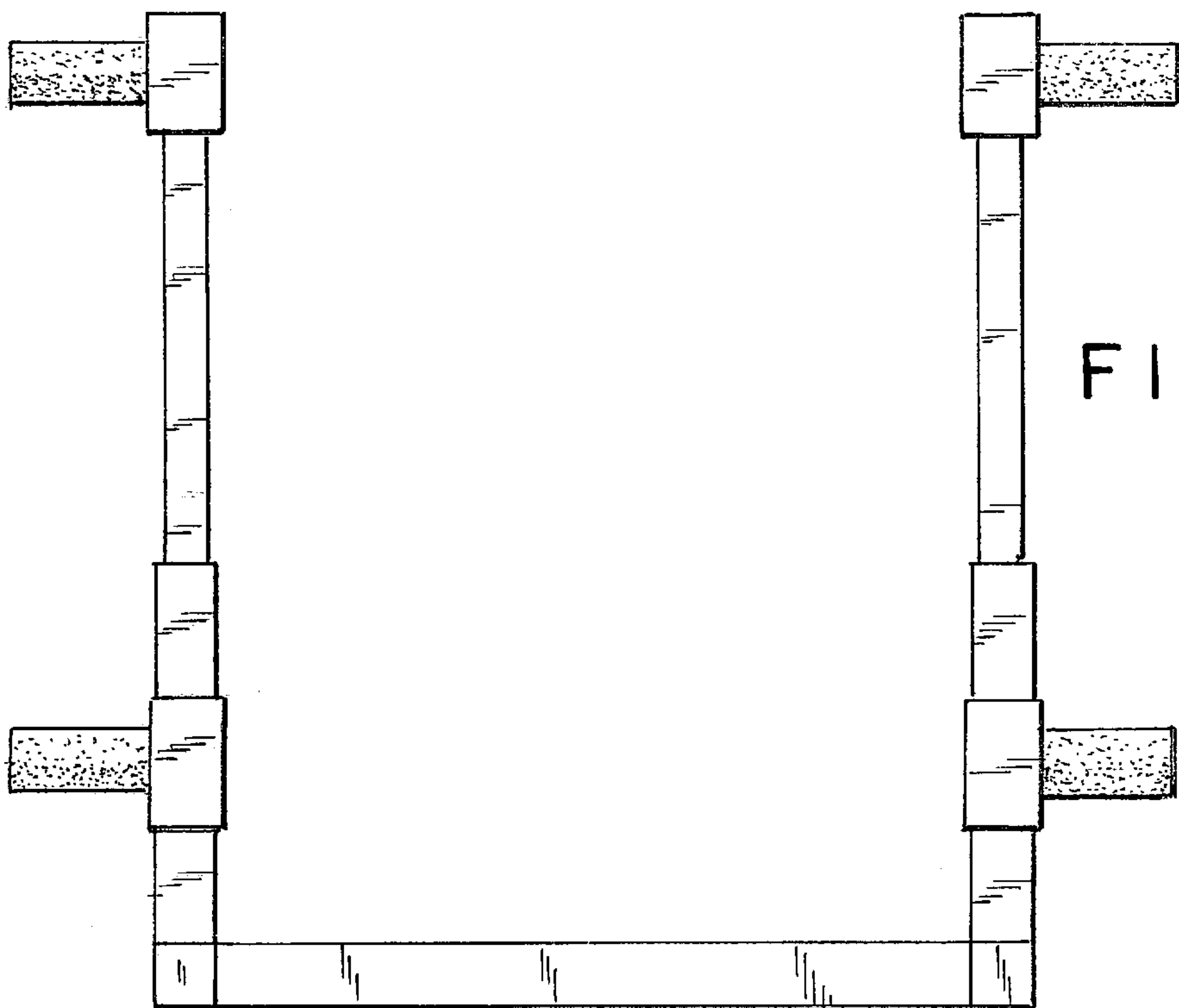


FIG. 5

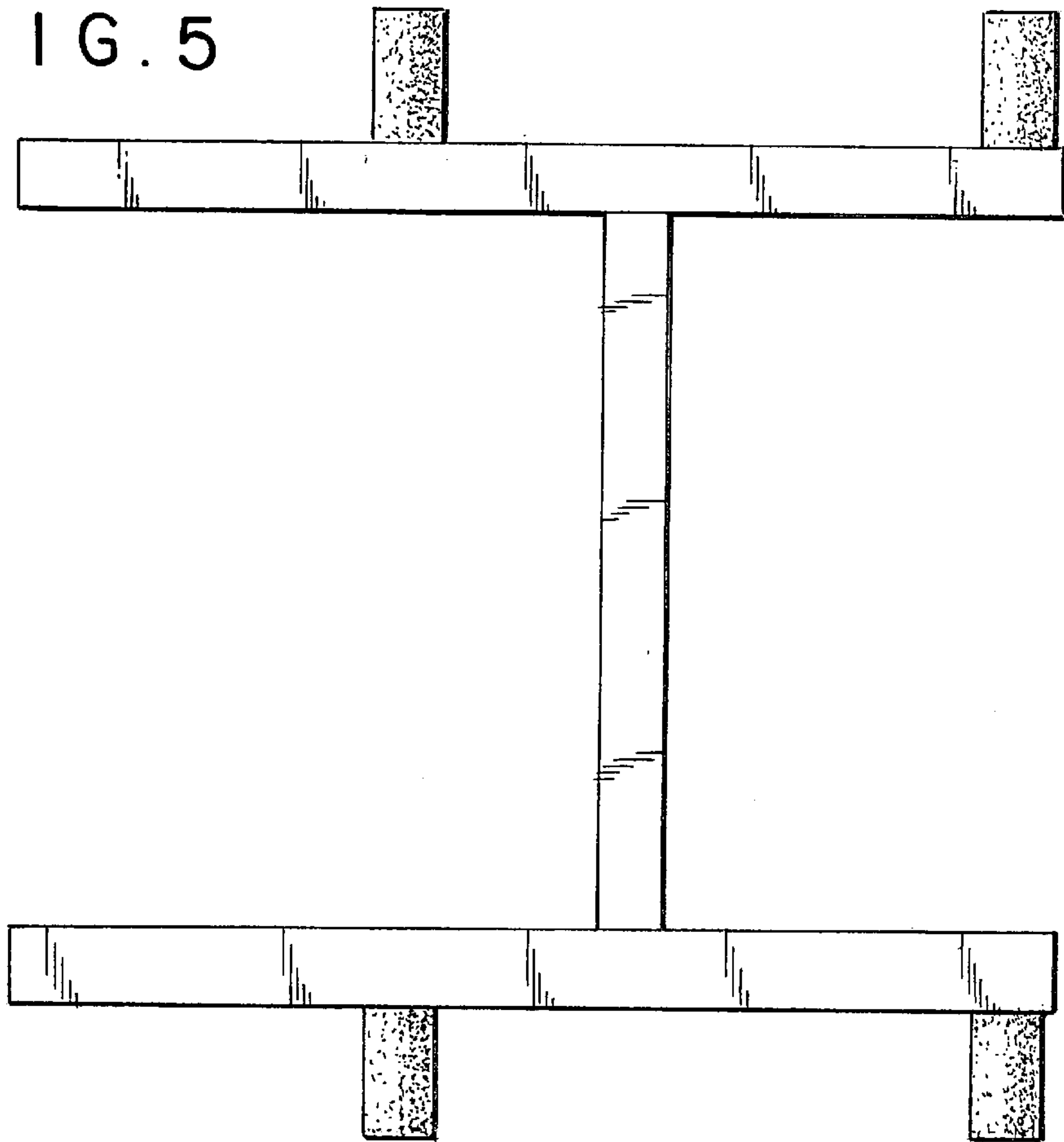


FIG. 6

