



US00D480768S

(12) **United States Design Patent**  
**Hornsby et al.**

(10) **Patent No.:** **US D480,768 S**

(45) **Date of Patent:** **\*\* Oct. 14, 2003**

(54) **TOY**

(75) Inventors: **James Russell Hornsby**, St. Louis, MO (US); **Joseph Lee McGowan**, St. Peters, MO (US); **Christopher Neal Hall**, St. Louis, MO (US); **David Michael Niehaus**, St. Louis, MO (US)

(73) Assignee: **All Season Toys, Inc.**, Malibu, CA (US)

(\*\*) Term: **14 Years**

(21) Appl. No.: **29/130,212**

(22) Filed: **Sep. 28, 2000**

(51) **LOC (7) Cl.** ..... **21-01**

(52) **U.S. Cl.** ..... **D21/578; D21/593**

(58) **Field of Search** ..... **D21/578-585, D21/592, 593, 594, 630, 621, 622, 627; D15/199; 446/279, 280, 290, 268-274, 289-292, 297-303, 352-355, 376, 383, 384**

(56) **References Cited**

**U.S. PATENT DOCUMENTS**

- 3,579,901 A \* 5/1971 Perhacs, Jr. .... 446/271
- 4,217,724 A \* 8/1980 Schoenfield et al.
- 4,282,677 A \* 8/1981 Abe

- D273,215 S \* 3/1984 Sahler ..... D21/592
- D287,986 S \* 1/1987 Matsui ..... D21/578
- 4,654,659 A \* 3/1987 Kubo ..... 446/454
- D290,146 S \* 6/1987 Horiuchi ..... D21/578
- D292,604 S \* 11/1987 Seo ..... D21/578
- D293,344 S \* 12/1987 Shiraishi ..... D21/578
- D293,345 S \* 12/1987 Takizawa ..... D21/578
- 4,717,364 A \* 1/1988 Furukawa ..... 448/280
- D297,749 S \* 9/1988 Rodis-Jamero ..... D21/578
- 6,039,626 A \* 3/2000 Gerold et al. .... 446/268

\* cited by examiner

*Primary Examiner*—Lucy Lieberman

(74) *Attorney, Agent, or Firm*—Dorsey & Whitney LLP

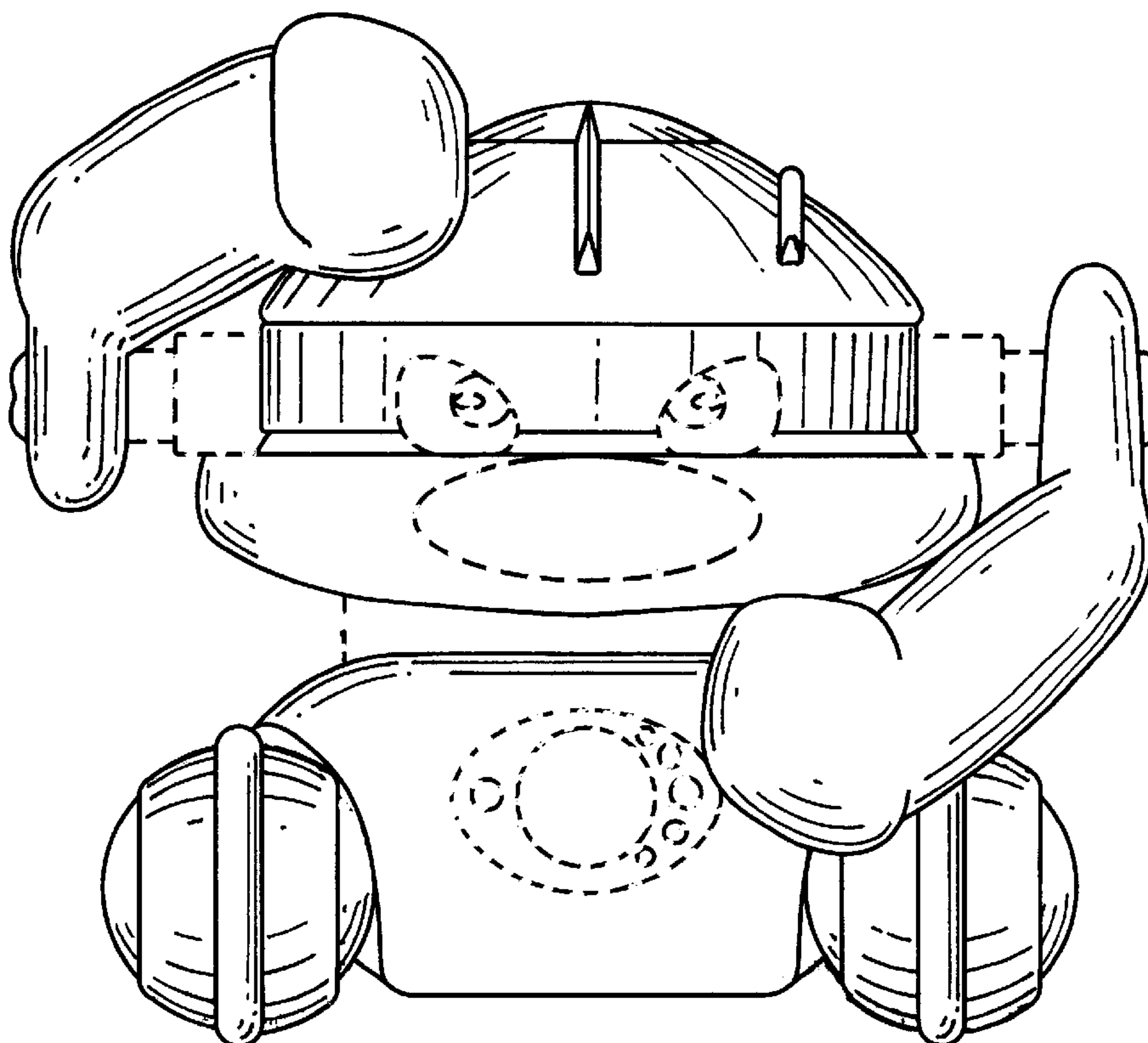
(57) **CLAIM**

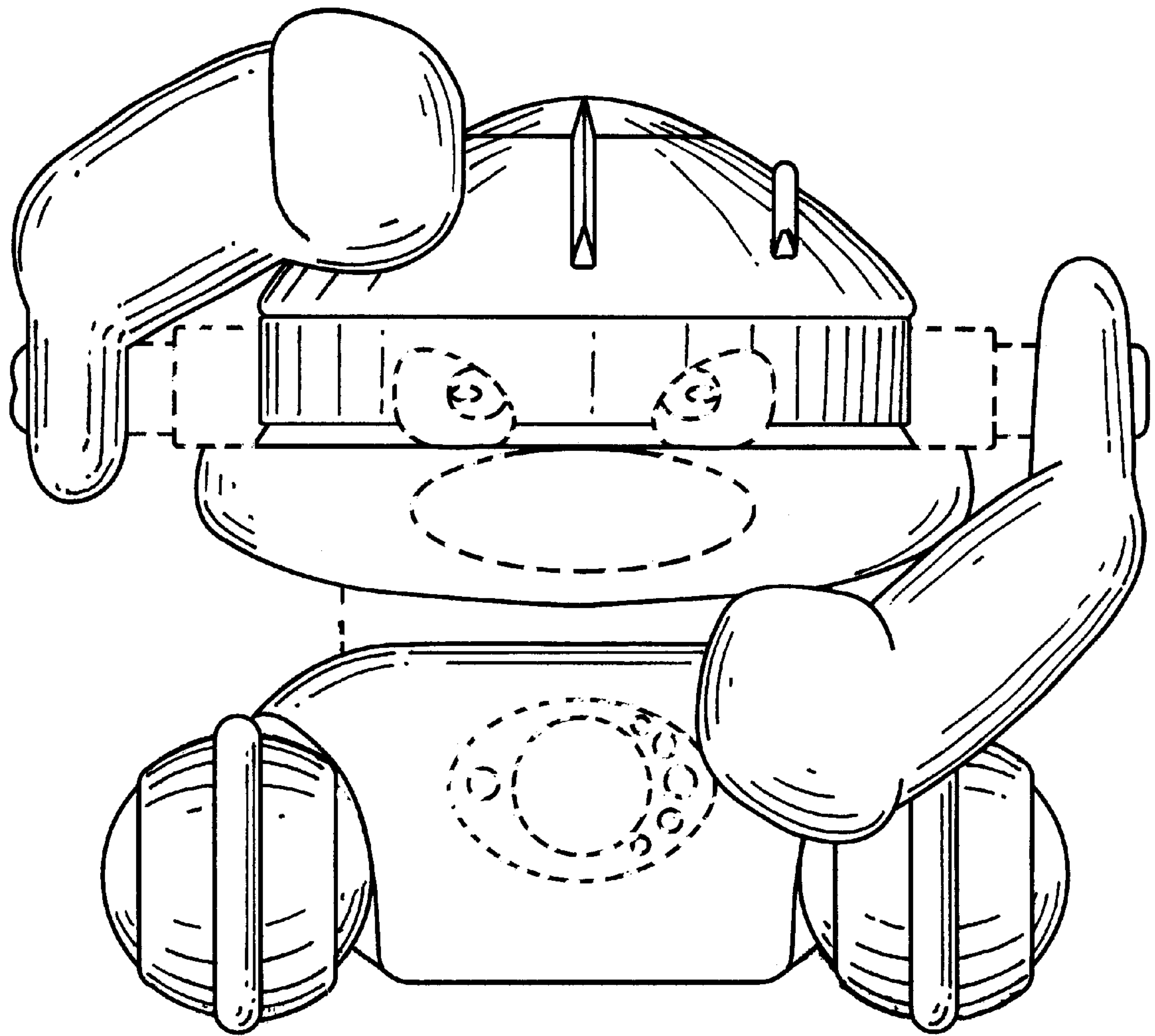
The ornamental design for a toy, as shown and described.

**DESCRIPTION**

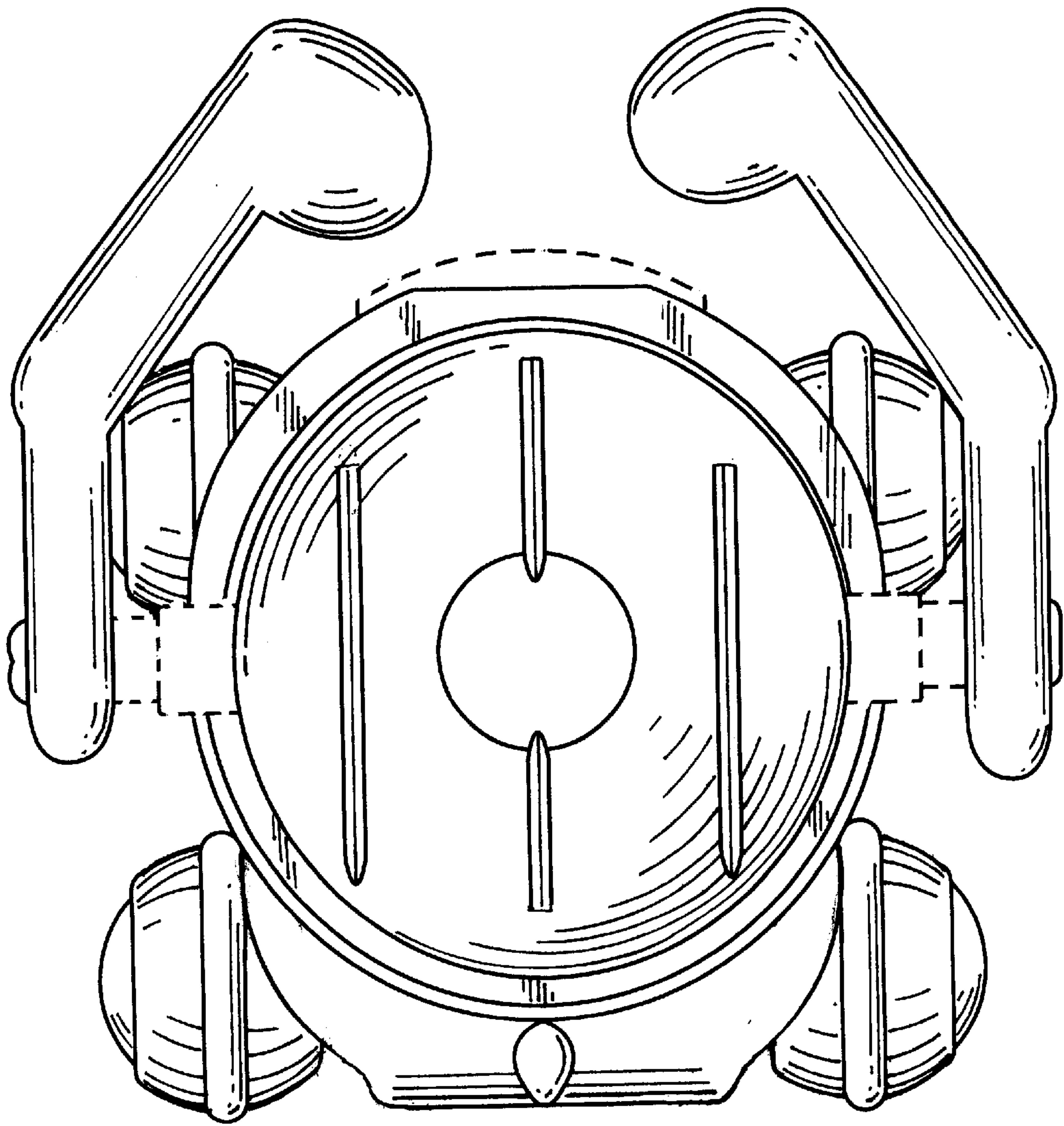
FIG. 1 is a front elevation of a toy showing our new design; FIG. 2 is a top plan view thereof; FIG. 3 is a bottom plan view thereof; FIG. 4 is a side elevation as seen from the right side of FIG. 1; and, FIG. 5 is a rear elevation thereof. The broken lines shown in FIGS. 1 through 5 are for illustrative purposes only and do not form part of the claimed design.

**1 Claim, 5 Drawing Sheets**

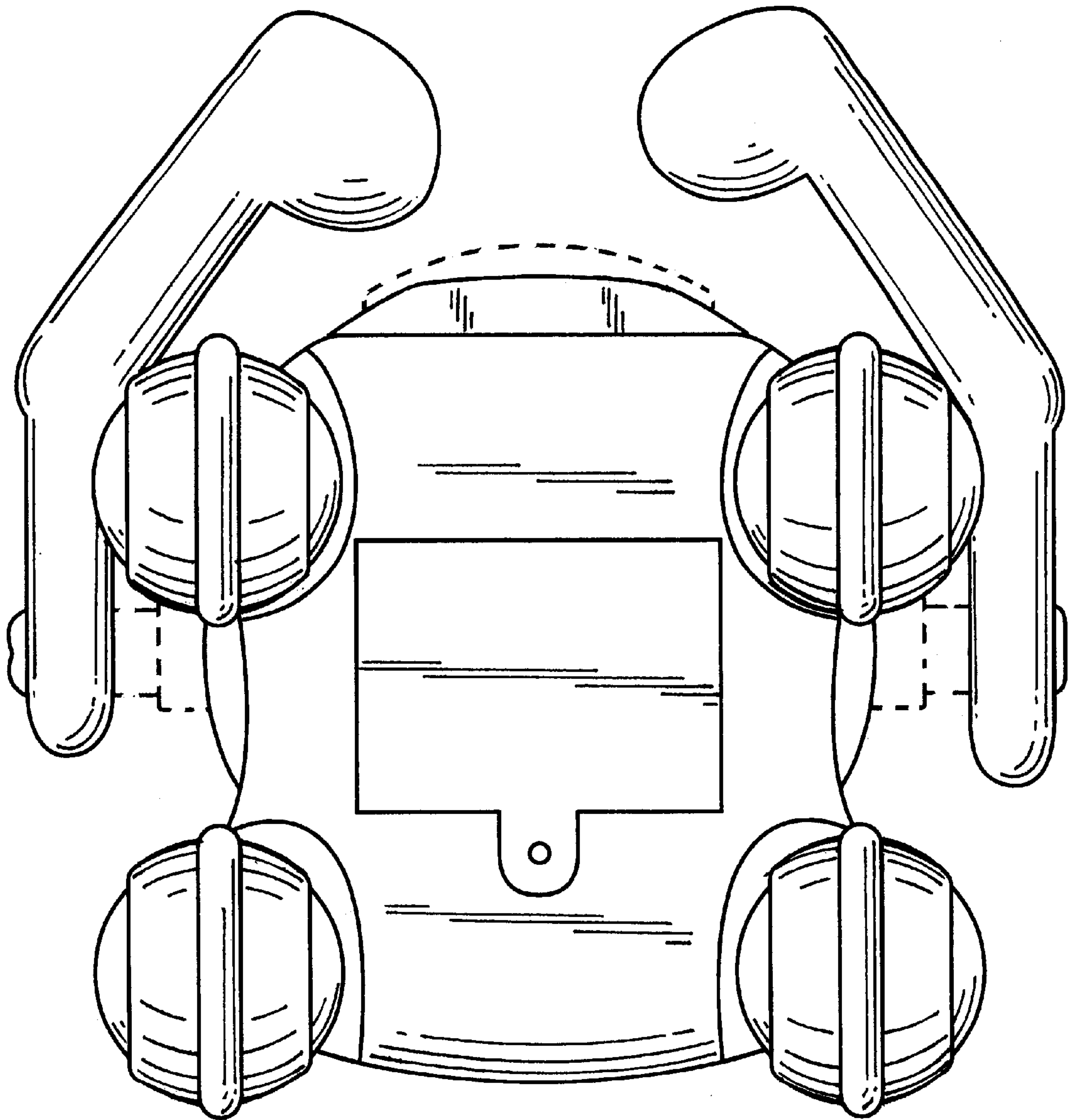




*FIG. 1*

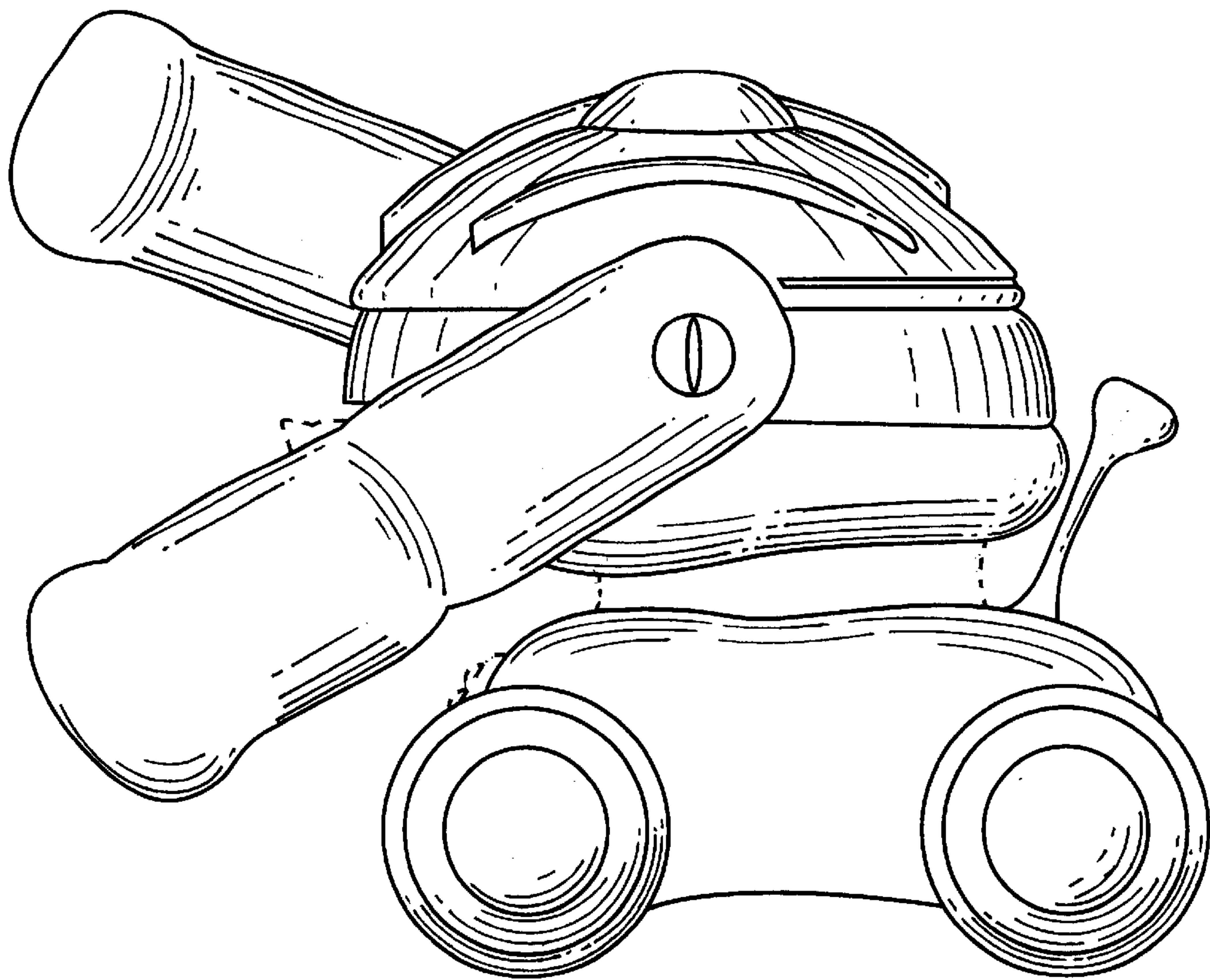


**FIG. 2**

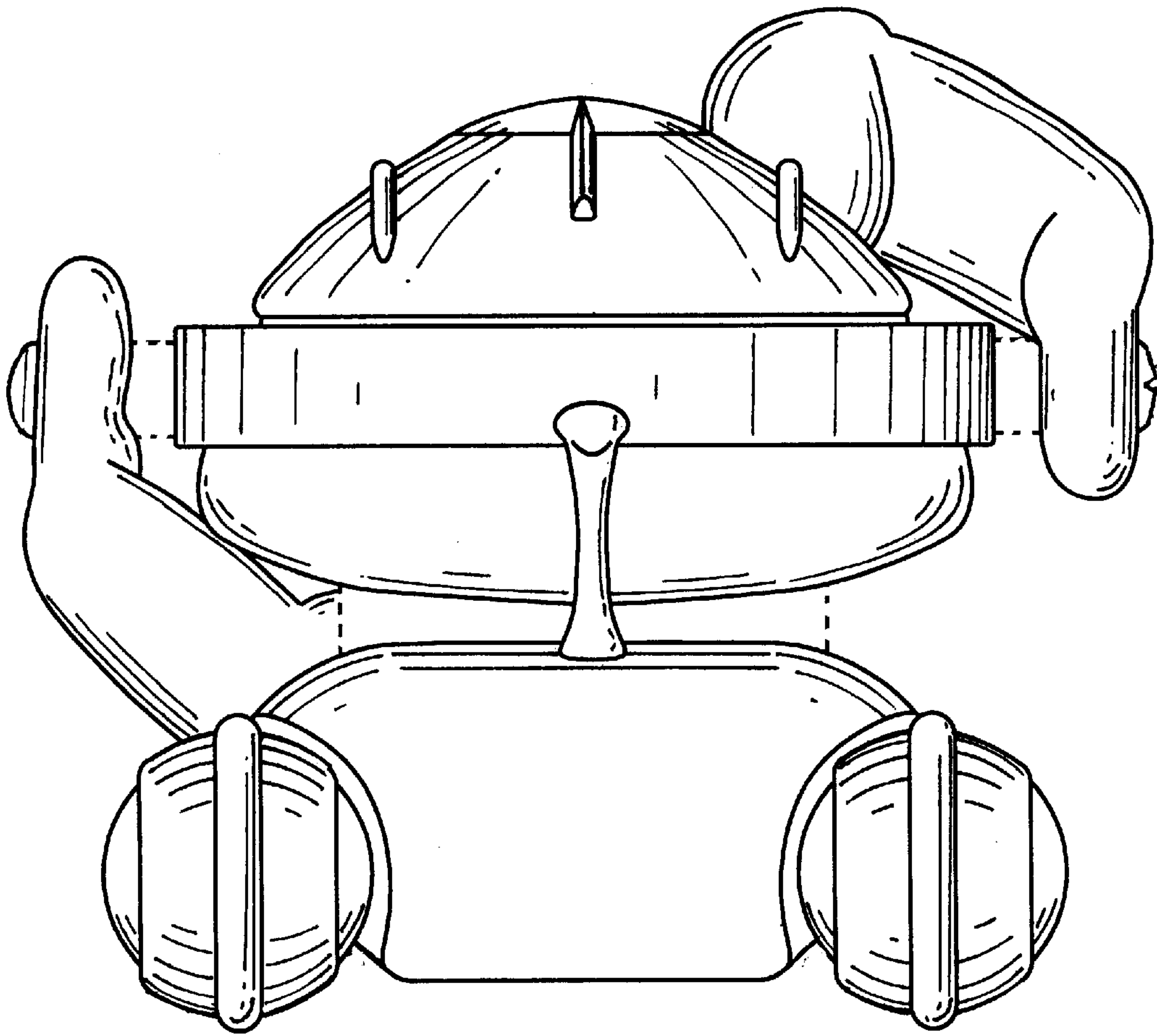


**FIG. 3**





*FIG. 4*



*FIG. 5*