



US00D480766S

(12) **United States Design Patent**  
**Moon**

(10) **Patent No.:** **US D480,766 S**

(45) **Date of Patent:** **\*\* Oct. 14, 2003**

(54) **TOY**

(75) **Inventor:** **Chris Moon**, Gerrards Cross (GB)

(73) **Assignee:** **Logistix Limited** (GB)

(\*\*) **Term:** **14 Years**

(21) **Appl. No.:** **29/168,914**

(22) **Filed:** **Oct. 10, 2002**

(51) **LOC (7) Cl.** ..... **21-01**

(52) **U.S. Cl.** ..... **D21/443; D21/398**

(58) **Field of Search** ..... D21/301, 436,  
D21/437, 441-444; 446/34, 46-48; 473/569-571,  
588-590, 595, 596, 614

(56) **References Cited**

**U.S. PATENT DOCUMENTS**

2,564,053	A	*	8/1951	Donovan	.....	446/40
3,220,142	A	*	11/1965	Butterfield	.....	446/46
4,203,249	A	*	5/1980	Bohm	.....	446/48
4,772,030	A	*	9/1988	Hunt, Jr.	.....	473/598
5,067,923	A	*	11/1991	De Bourbon	.....	446/236

5,199,717	A	*	4/1993	Wimmer	.....	473/590
D380,017	S	*	6/1997	McGowan et al.	.....	D21/443
D398,939	S	*	9/1998	Harned	.....	D21/443
6,443,862	B1	*	9/2002	Darnell	.....	473/590

\* cited by examiner

*Primary Examiner*—Ted Shooman

*Assistant Examiner*—C Tuttle

(74) *Attorney, Agent, or Firm*—Galvano & Burke

(57) **CLAIM**

The ornamental design for a toy, as shown and described.

**DESCRIPTION**

FIG. 1 is a top perspective view of a toy, showing my new design;

FIG. 2 is a bottom perspective view thereof;

FIG. 3 is a top plan view thereof;

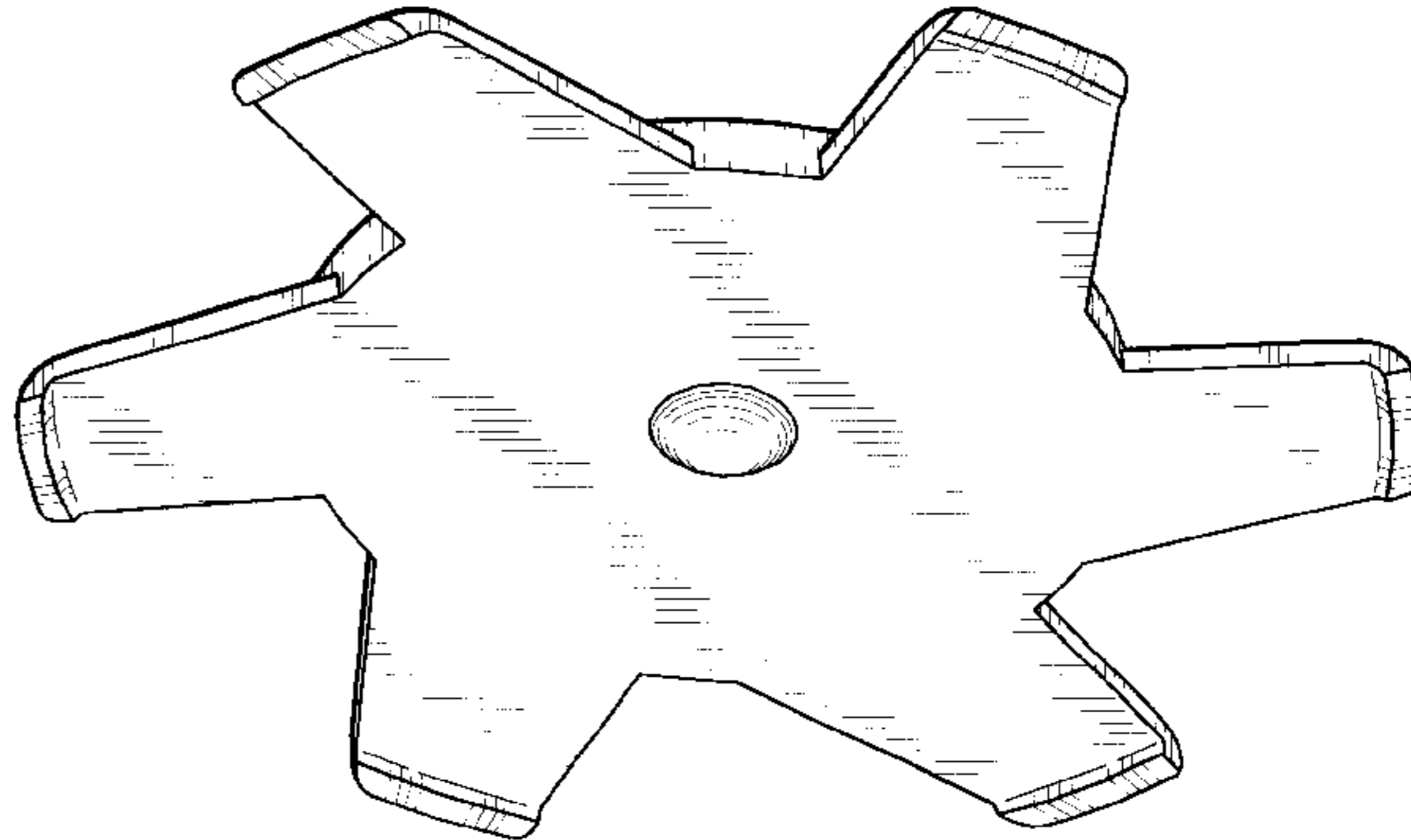
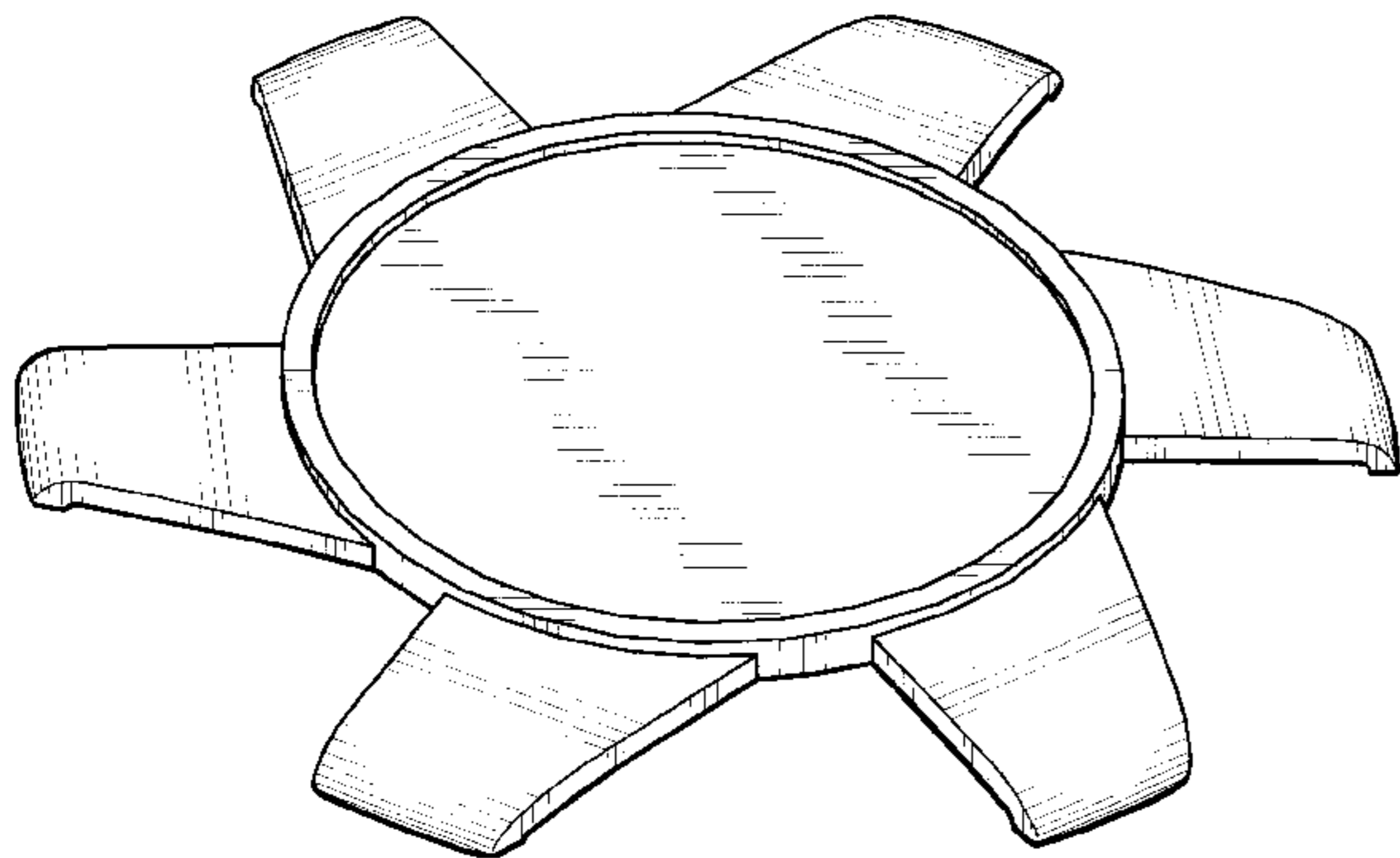
FIG. 4 is a bottom plan view thereof;

FIG. 5 is a front elevational view thereof;

FIG. 6 is a right side elevational view thereof the side opposite appearing the same; and,

FIG. 7 is a rear elevational view thereof.

**1 Claim, 4 Drawing Sheets**



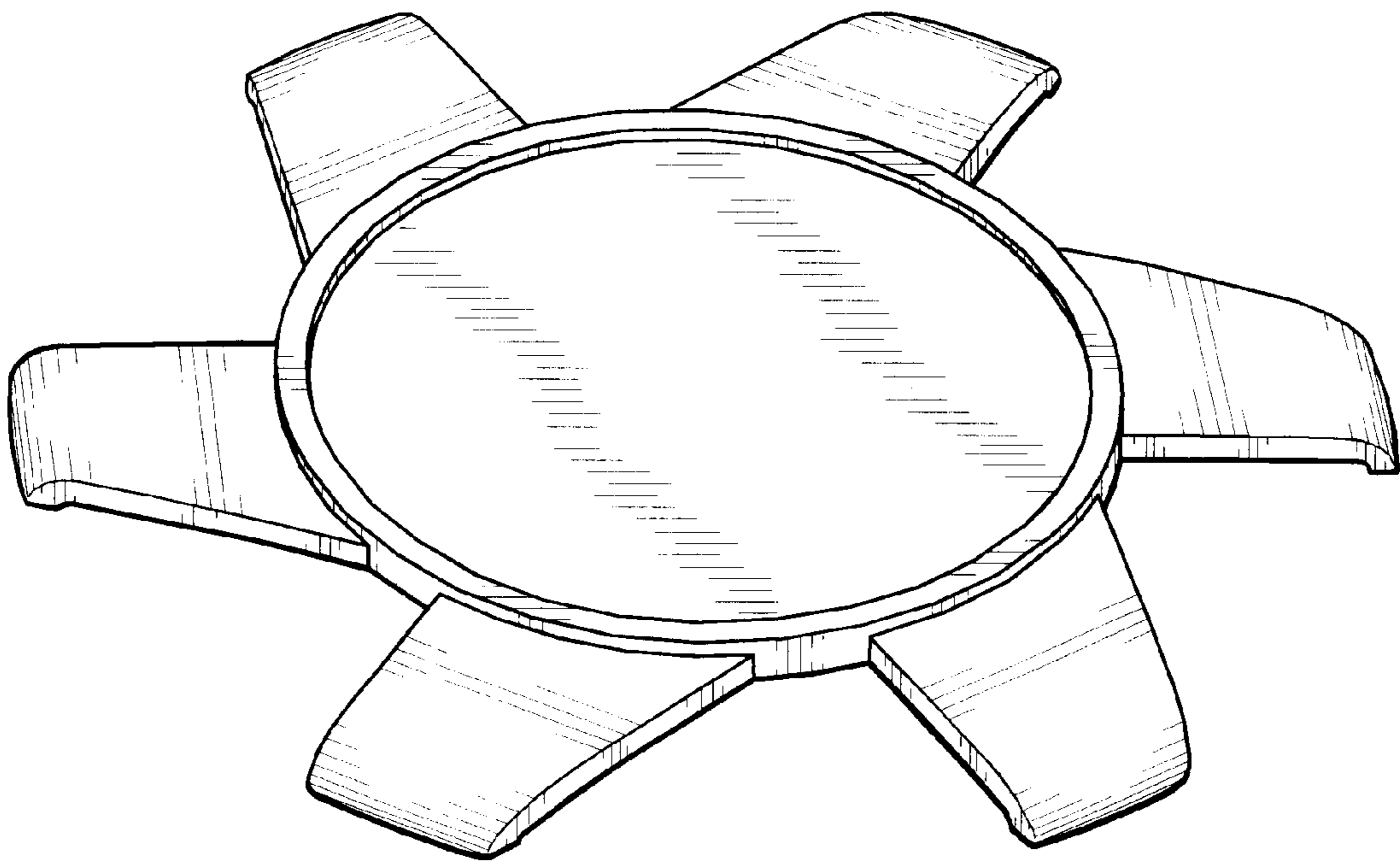


FIG. 1

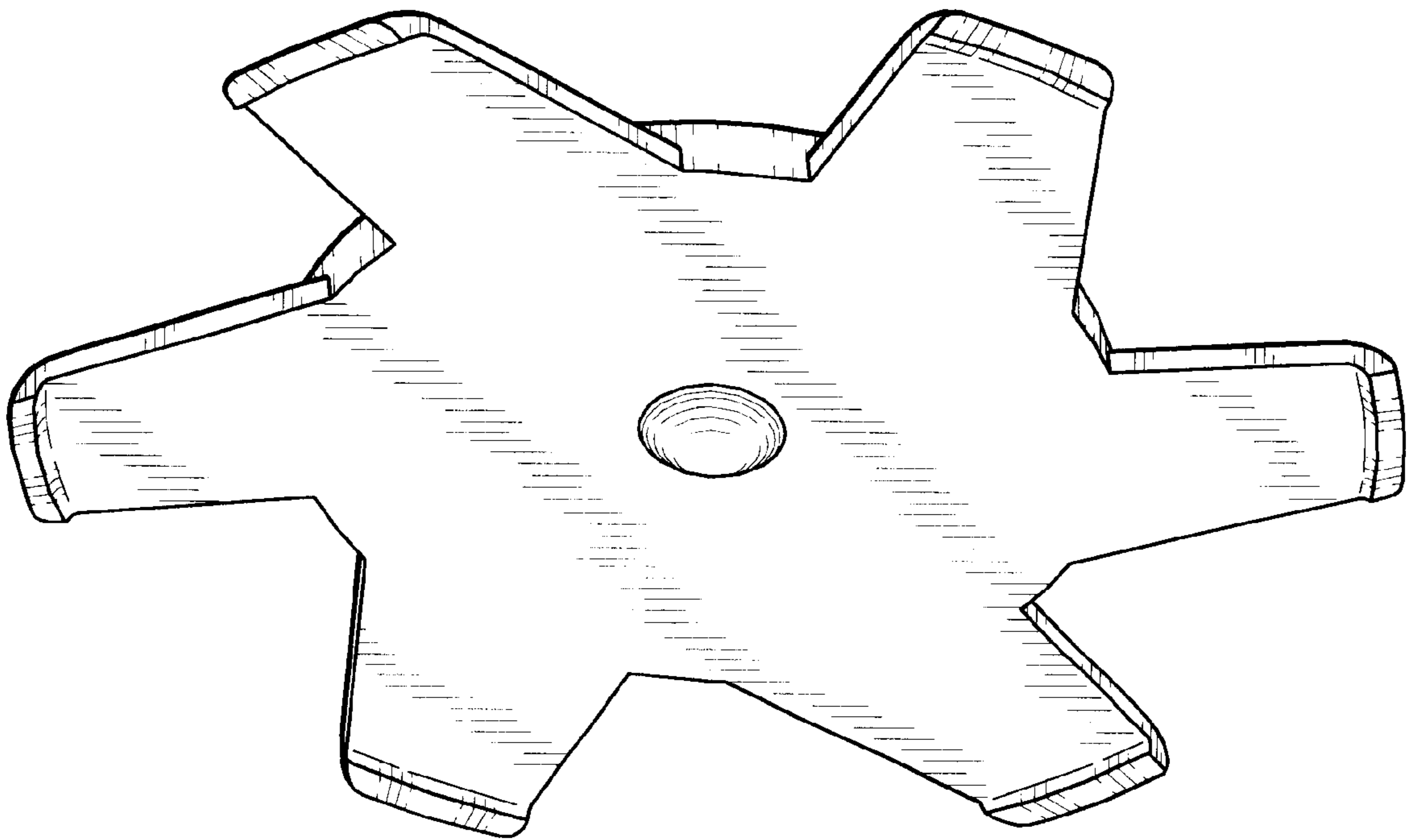


FIG. 2

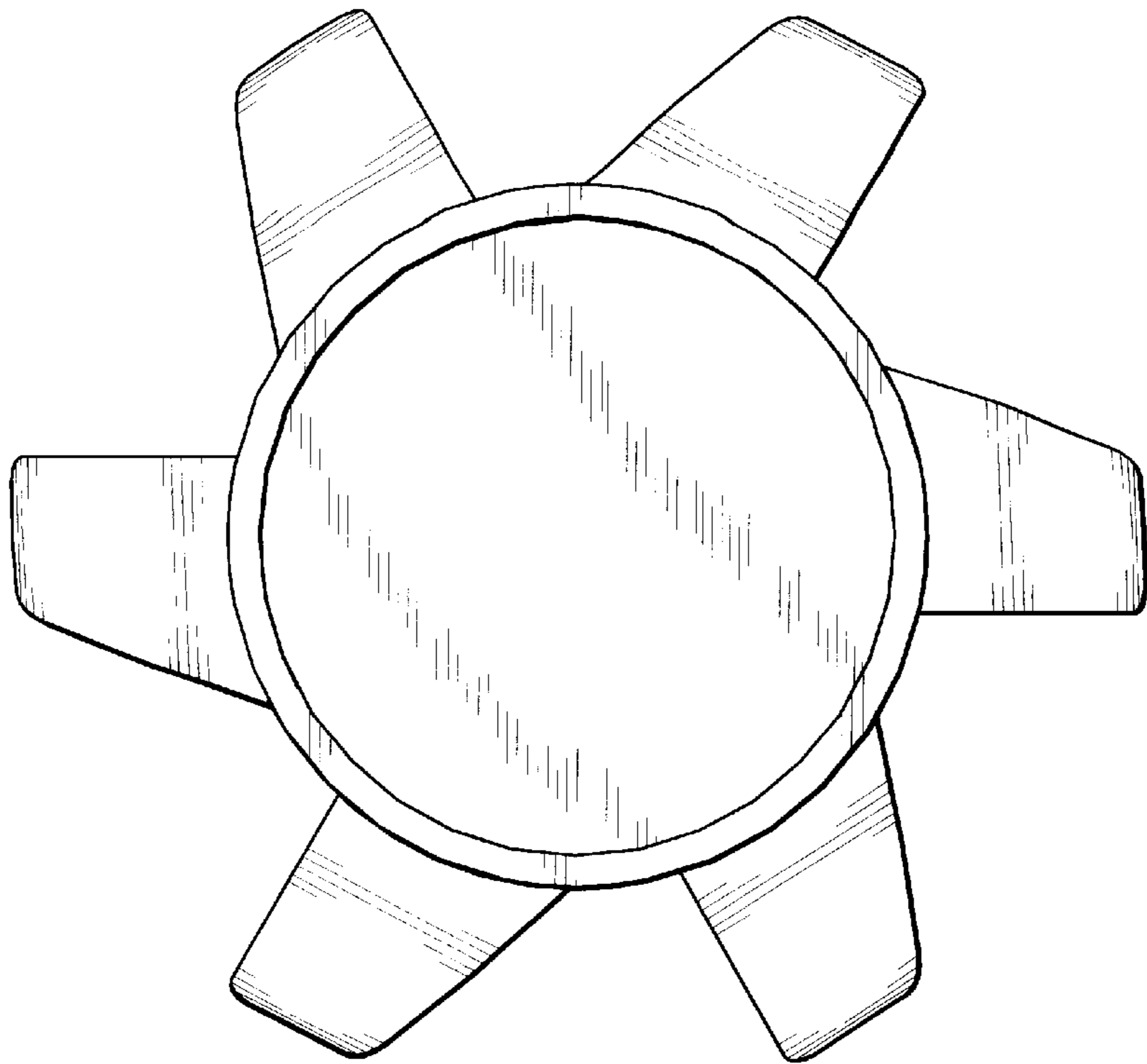


FIG. 3

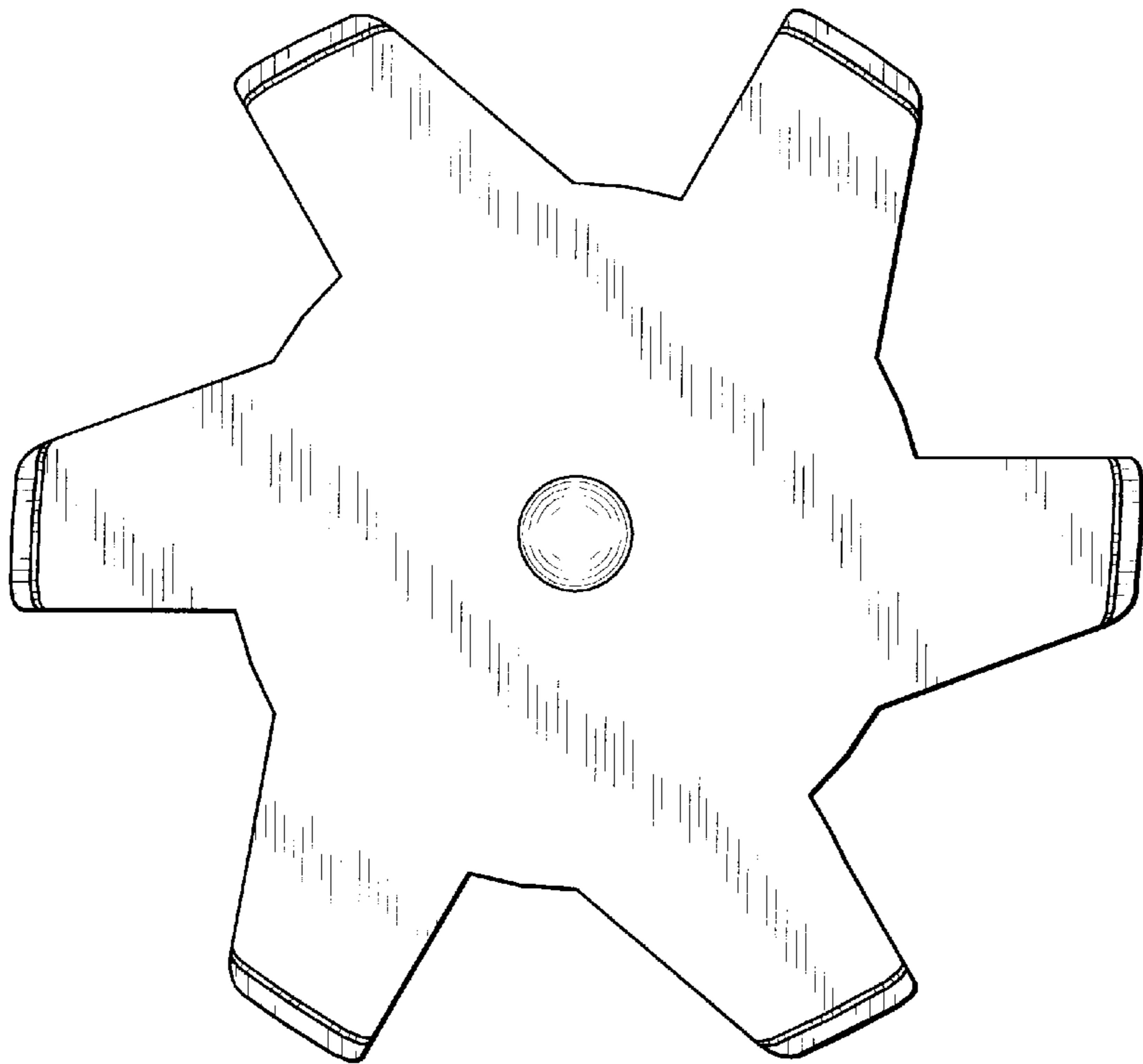


FIG. 4



FIG. 5



FIG. 6



FIG. 7