



US00D480765S

(12) **United States Design Patent**  
**Wang**

(10) **Patent No.:** **US D480,765 S**

(45) **Date of Patent:** **\*\* Oct. 14, 2003**

(54) **FLYING TOY WITH WING ABOVE BODY**

D432,187 S \* 10/2000 Wang ..... D21/445  
6,290,178 B1 \* 9/2001 Wang ..... 244/153 R

(76) Inventor: **Jung-Yuan (Jay) Wang**, 2026 Jacamar Court, Mississauga, Ontario (CA), L5R 3P5

\* cited by examiner

(\*\*) Term: **14 Years**

*Primary Examiner*—Ted Shooman  
*Assistant Examiner*—C. Tuttle  
(74) *Attorney, Agent, or Firm*—Bereskin & Parr

(21) Appl. No.: **29/163,695**

(57) **CLAIM**

(22) Filed: **Jul. 11, 2002**

The ornamental design for a flying toy with wing above body, as shown and described.

(51) **LOC (7) Cl.** ..... **21-01**

(52) **U.S. Cl.** ..... **D21/436; D21/449; D21/453**

(58) **Field of Search** ..... D21/436, 445-454;  
446/30-68, 230-232, 487, 488, 490; 244/153 R,  
154, 155 R, 155 A, 900-903

**DESCRIPTION**

(56) **References Cited**

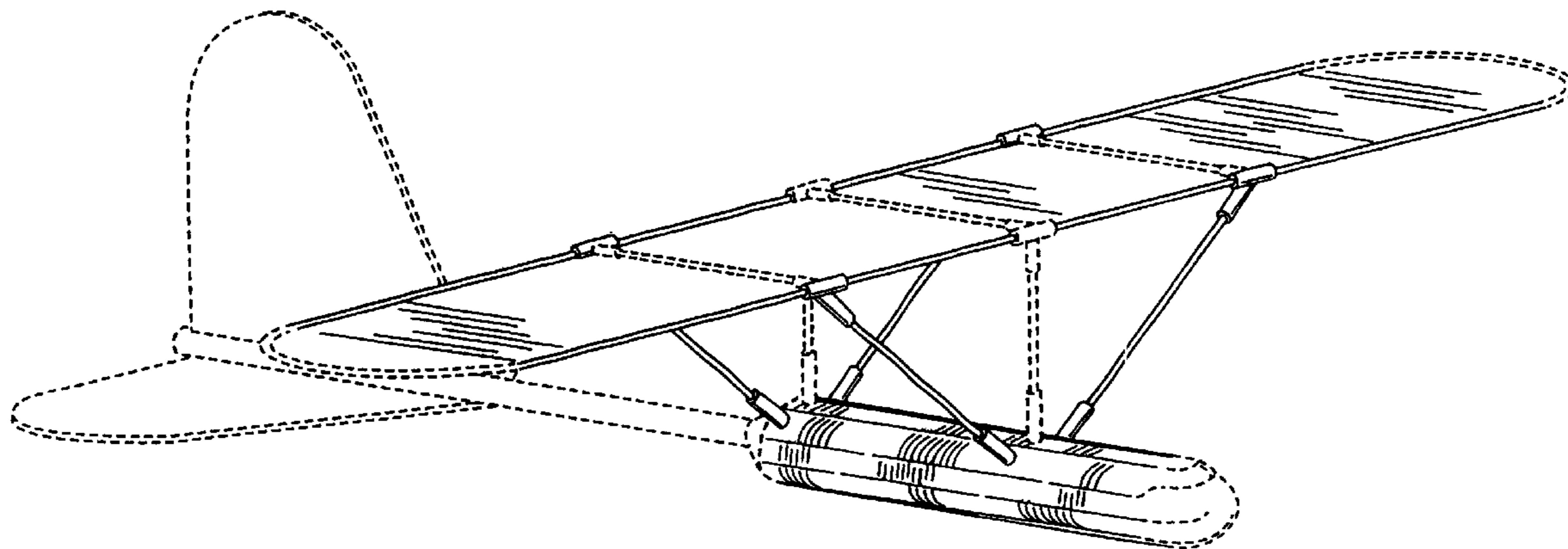
**U.S. PATENT DOCUMENTS**

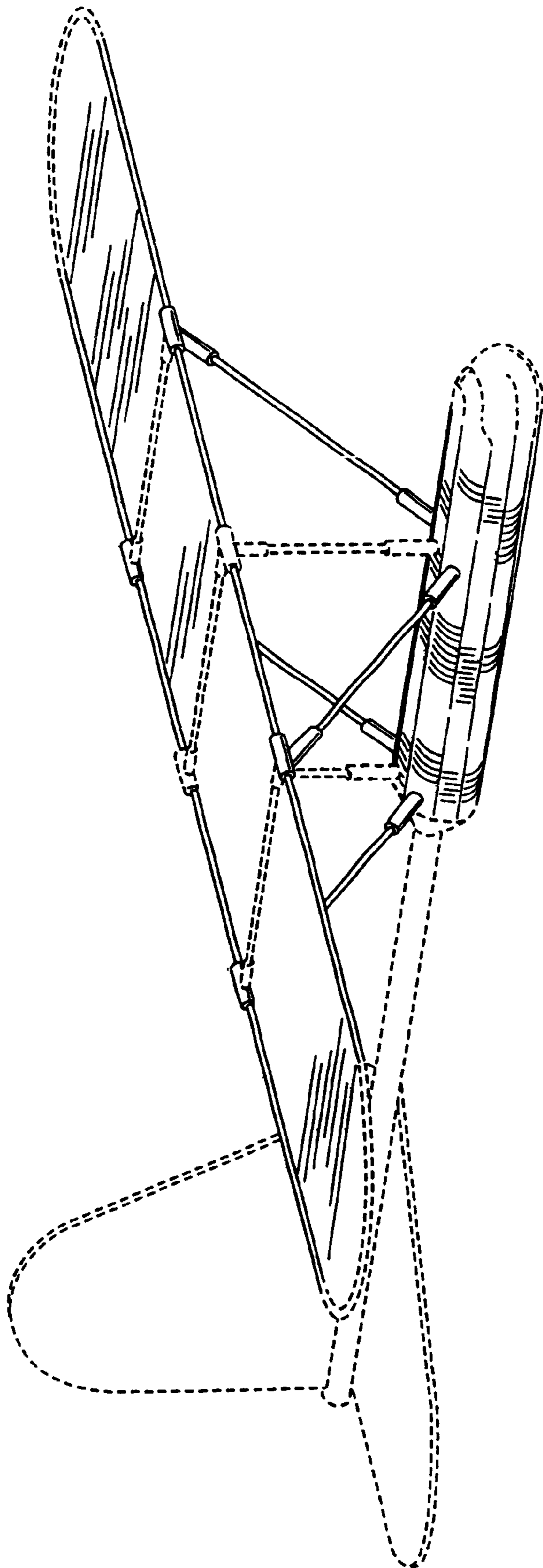
970,829	A	*	9/1910	Humphrey et al.	.....	446/59
1,312,563	A	*	8/1919	Moskowitz	.....	472/130
1,423,819	A	*	7/1922	Shapiro et al.	.....	446/232
2,035,730	A	*	3/1936	Trevor	.....	244/154
D150,011	S	*	6/1948	Guariglia	.....	D21/405
3,991,512	A	*	11/1976	Stanzel	.....	446/33
4,272,912	A	*	6/1981	Lapierre	.....	446/34
D407,126	S	*	3/1999	Wang	.....	D21/445

FIG. 1 is an isometric view from above and to one side of the new design;  
FIG. 2 is a right side elevation view thereof;  
FIG. 3 is a left side elevation view thereof;  
FIG. 4 is a front elevation view thereof;  
FIG. 5 is a rear elevation view thereof;  
FIG. 6 is a top plan view thereof; and,  
FIG. 7 is a bottom plan view thereof.

The portions of the flying toy with wing above body shown in broken lines are for illustrative purposes only and form no part of the claimed design.

**1 Claim, 5 Drawing Sheets**





**FIG. 1**

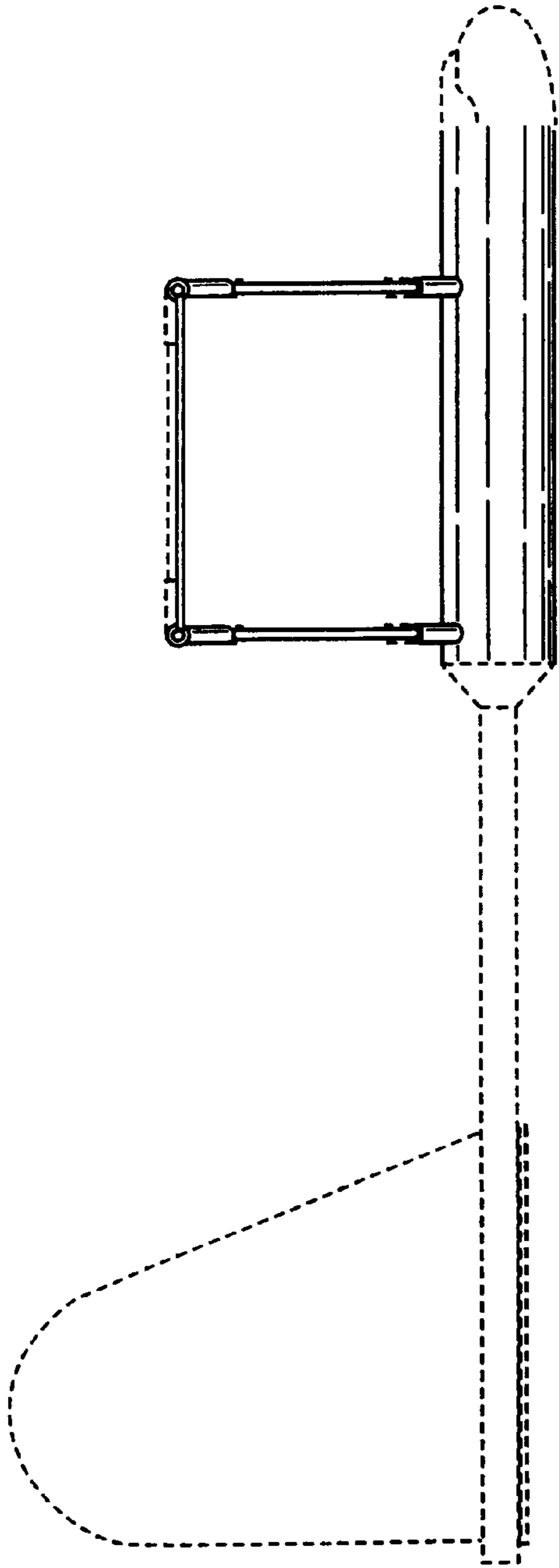


FIG. 2

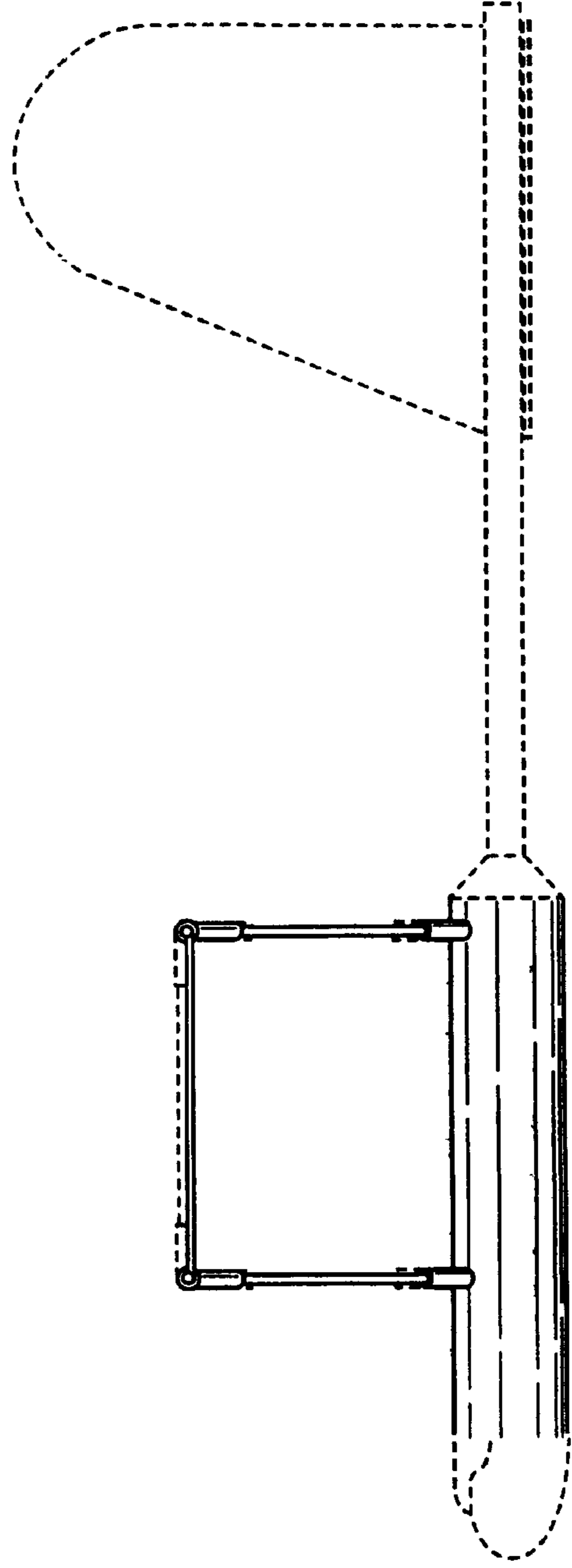
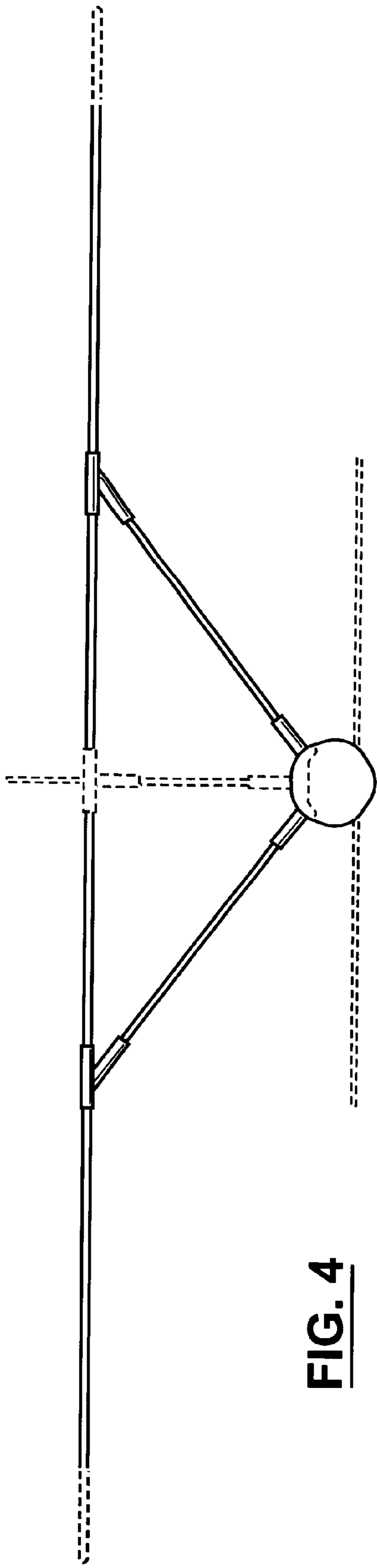
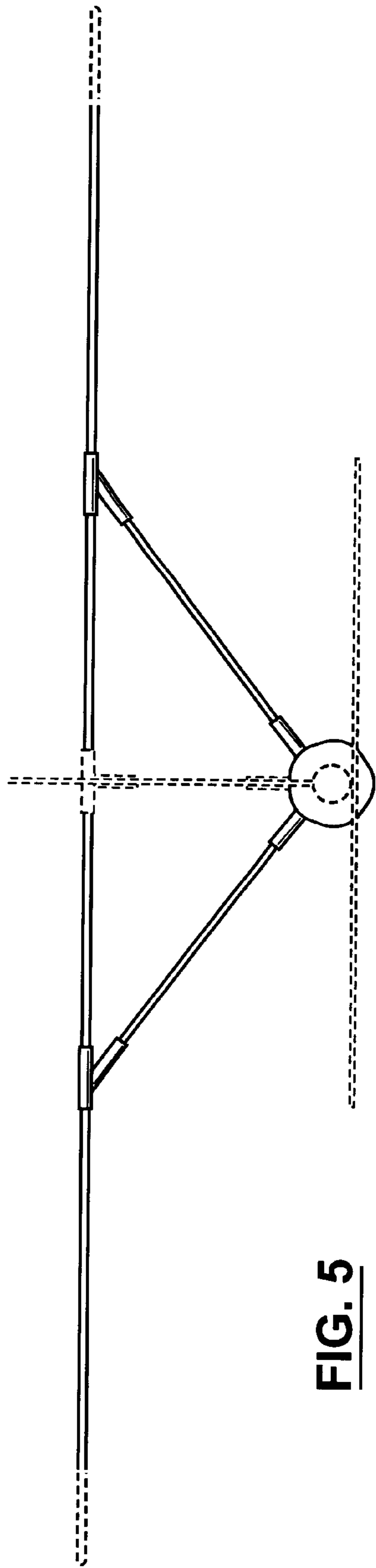


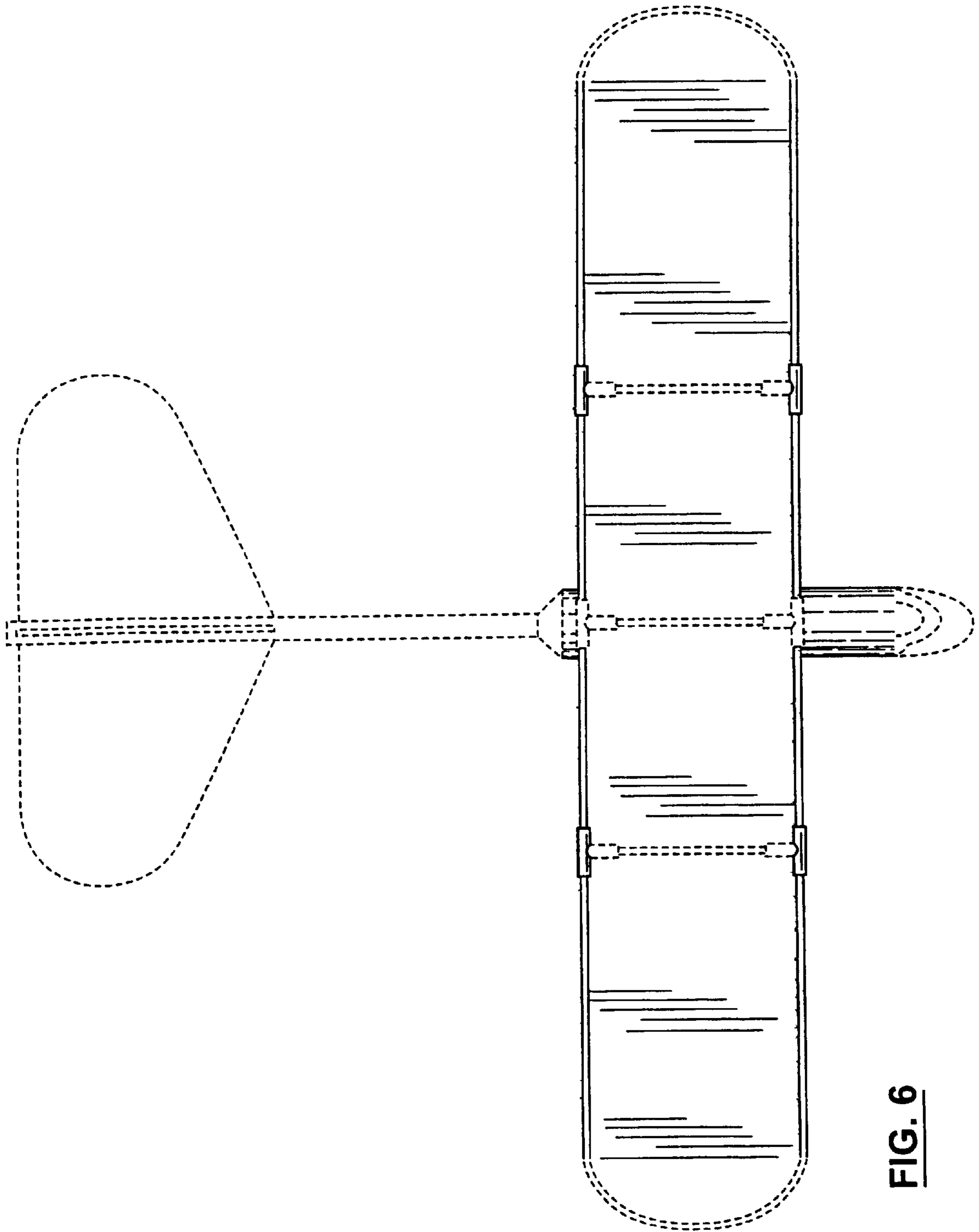
FIG. 3



**FIG. 4**



**FIG. 5**



**FIG. 6**

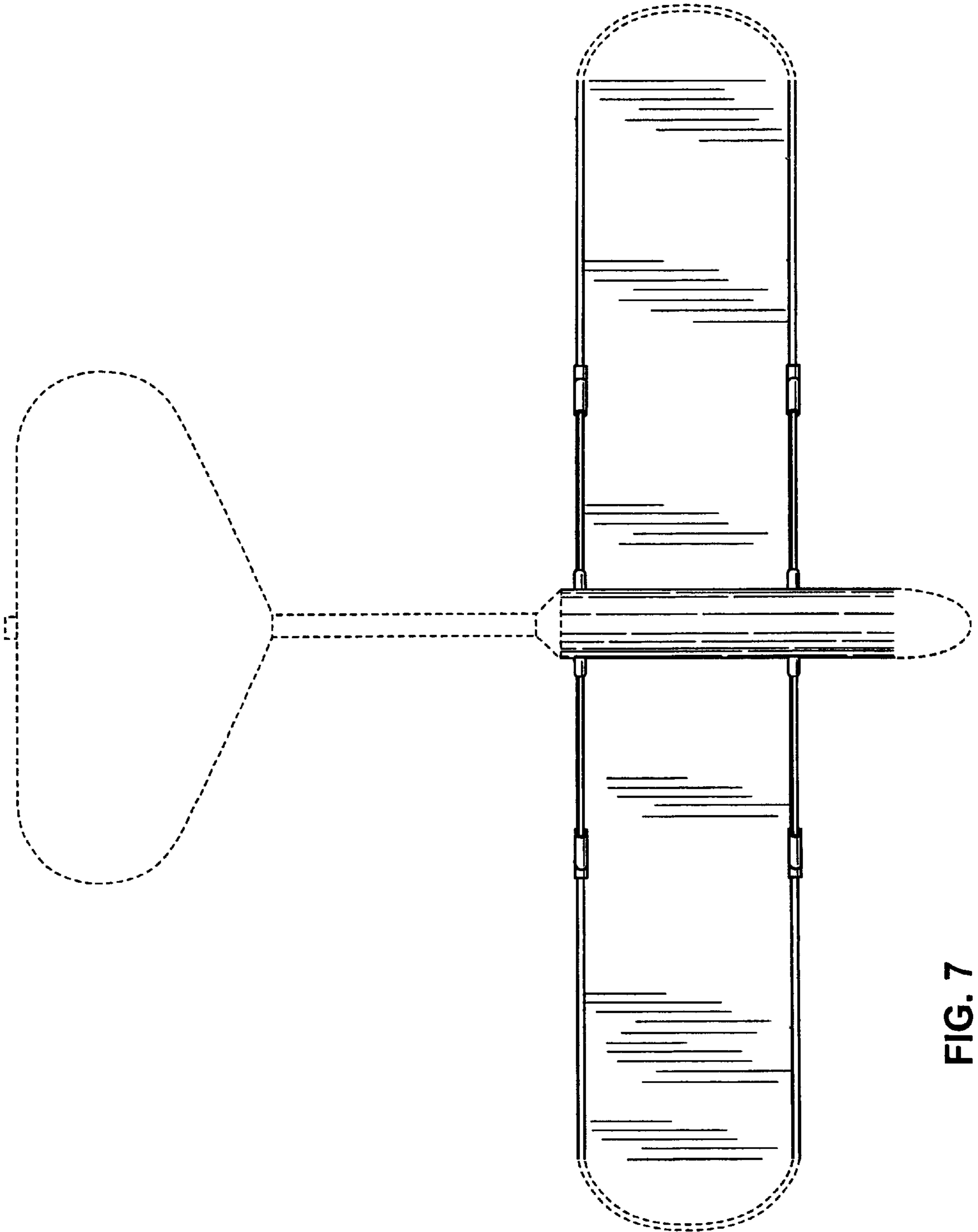


FIG. 7