



US00D480764S

(12) **United States Design Patent**
Inoue et al.

(10) **Patent No.:** **US D480,764 S**
(45) **Date of Patent:** **** Oct. 14, 2003**

(54) **INFORMATION STORAGE CARTRIDGE
FOR ELECTRONIC GAME MACHINE**

(75) Inventors: **Yoshihiro Inoue**, Kyoto (JP); **Kenichi Sugino**, Kyoto (JP); **Yui Ehara**, Kyoto (JP)

(73) Assignee: **Nintendo Co., Ltd.** (JP)

(**) Term: **14 Years**

(21) Appl. No.: **29/159,788**

(22) Filed: **Apr. 30, 2002**

(30) **Foreign Application Priority Data**

Nov. 1, 2001 (JP) 2001-032168

(51) **LOC (7) Cl.** **21-01**

(52) **U.S. Cl.** **D21/332**

(58) **Field of Search** D21/332, 333,
D21/324; D14/435-438; 273/148.13; 463/1,
29, 30, 43-47; 360/132, 133; 242/341,
348, 335; 369/291, 292, 77.2, 75.1

(56) **References Cited**

U.S. PATENT DOCUMENTS

4,149,027 A *	4/1979	Asher et al.	463/44
D269,087 S *	5/1983	Nishi	D14/435
D272,342 S *	1/1984	Cheng	D14/435
D294,020 S *	2/1988	Yukawa	D14/435
4,865,321 A *	9/1989	Nakagawa et al.	273/148 B
D319,823 S	9/1991	Kojo	

D320,203 S	9/1991	Ashida	
5,362,068 A *	11/1994	Liu	463/44
D376,795 S	12/1996	Ashida	
D381,977 S	8/1997	Nagata et al.	
D382,868 S	8/1997	Ashida	
D396,707 S	8/1998	Ashida	
D437,323 S	2/2001	Sugino et al.	
D449,078 S	10/2001	Fujita	
D452,281 S	12/2001	Ohno	
D458,643 S *	6/2002	Ashida	D21/332

* cited by examiner

Primary Examiner—Prabhakar Deshmukh

(74) *Attorney, Agent, or Firm*—Nixon & Vanderhye P.C.

(57) **CLAIM**

The ornamental design for a “information storage cartridge for electronic game machine”, as shown and described.

DESCRIPTION

FIG. 1 is a top plan view of an information storage cartridge for electronic game machine;
FIG. 2 is a bottom plan view thereof;
FIG. 3 is a front elevational view thereof;
FIG. 4 is a right side view thereof, the left side view being identical thereto;
FIG. 5 is a rear elevational view thereof;
FIG. 6 is a top, front and right side perspective view thereof; and,
FIG. 7 is a bottom, rear and right side perspective view thereof.

1 Claim, 3 Drawing Sheets

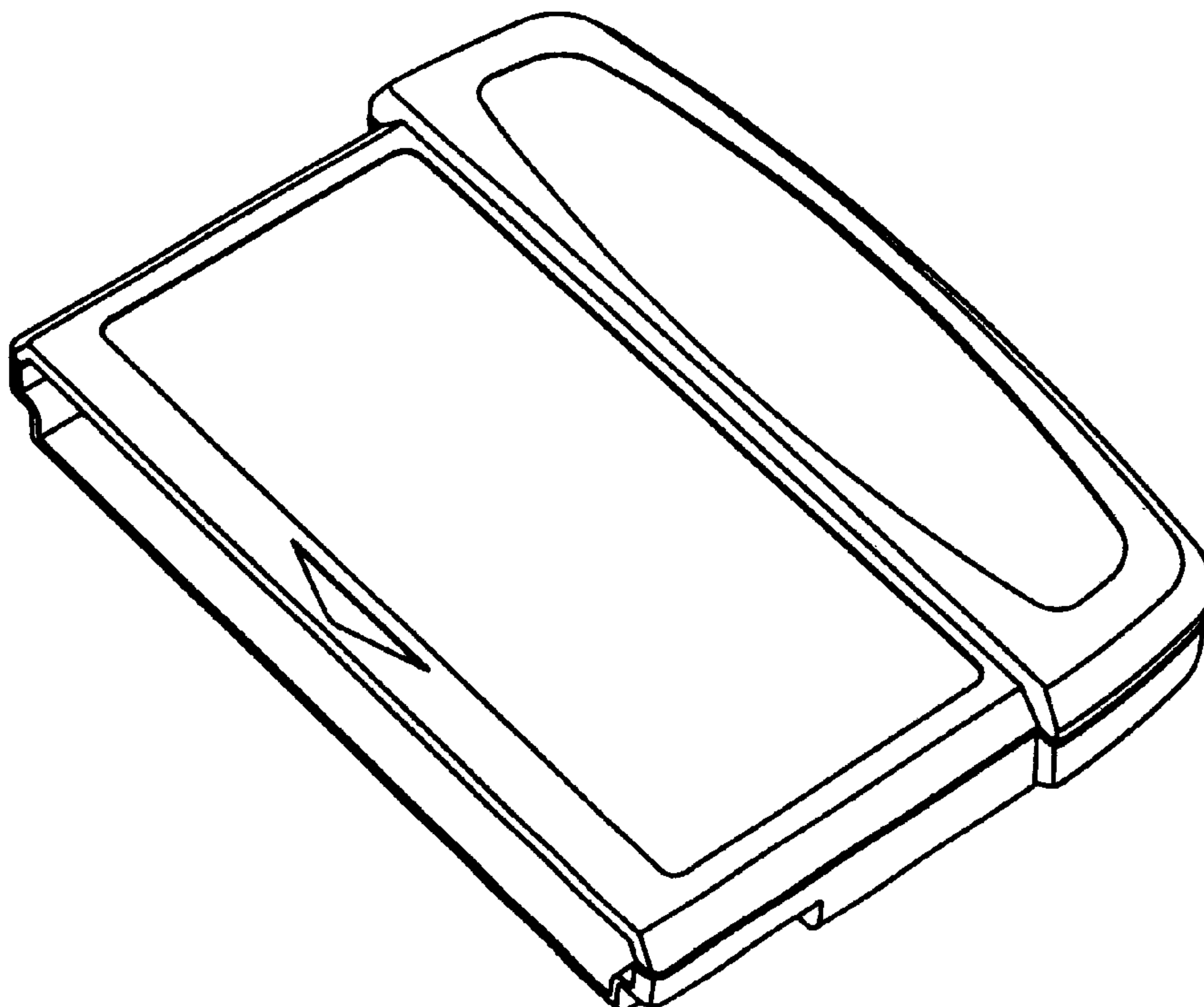


Fig. 1

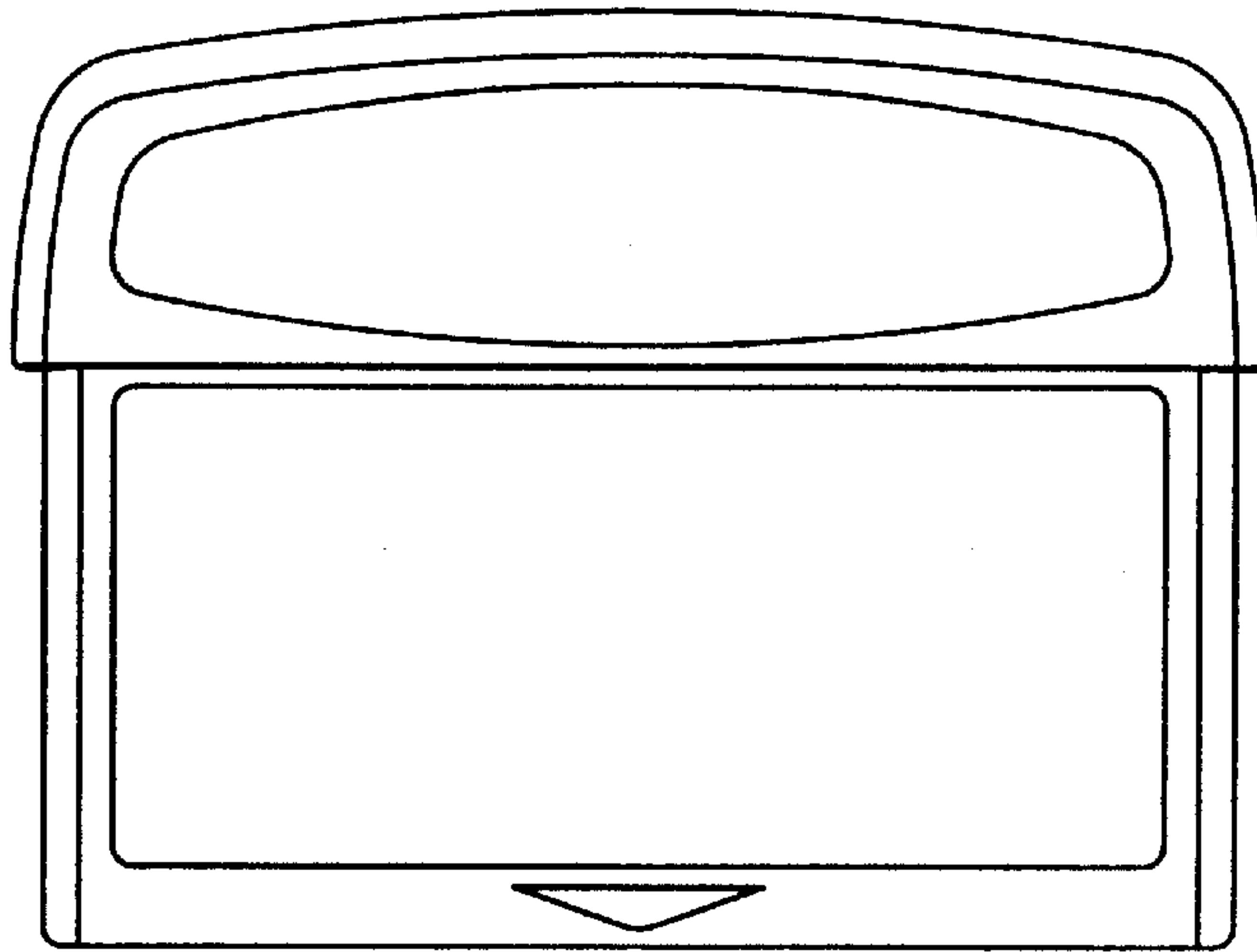


Fig. 2

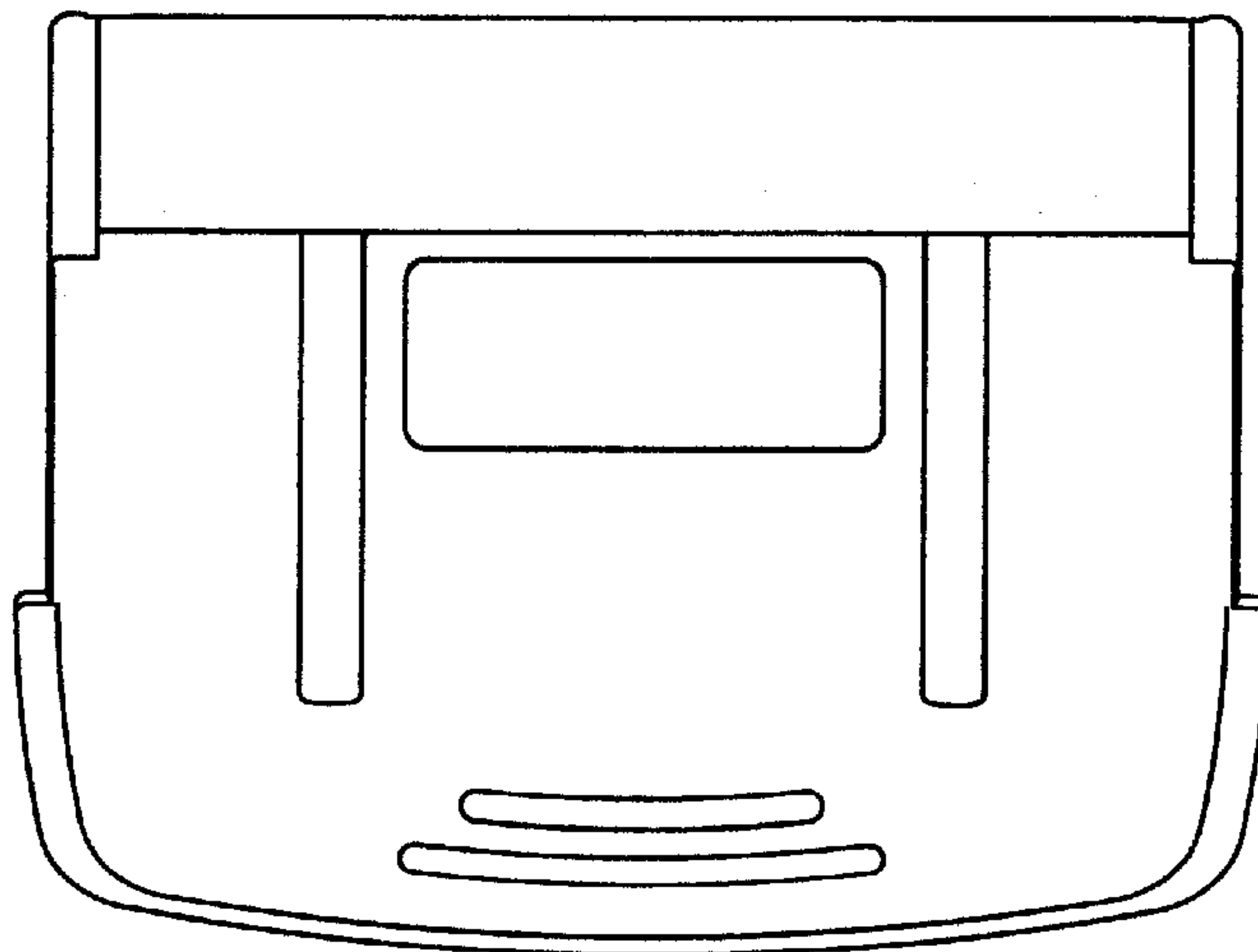


Fig. 3

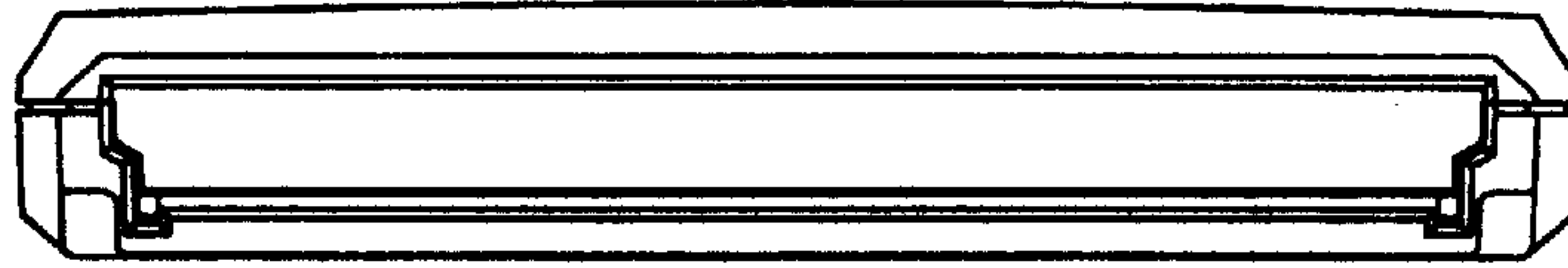


Fig. 4

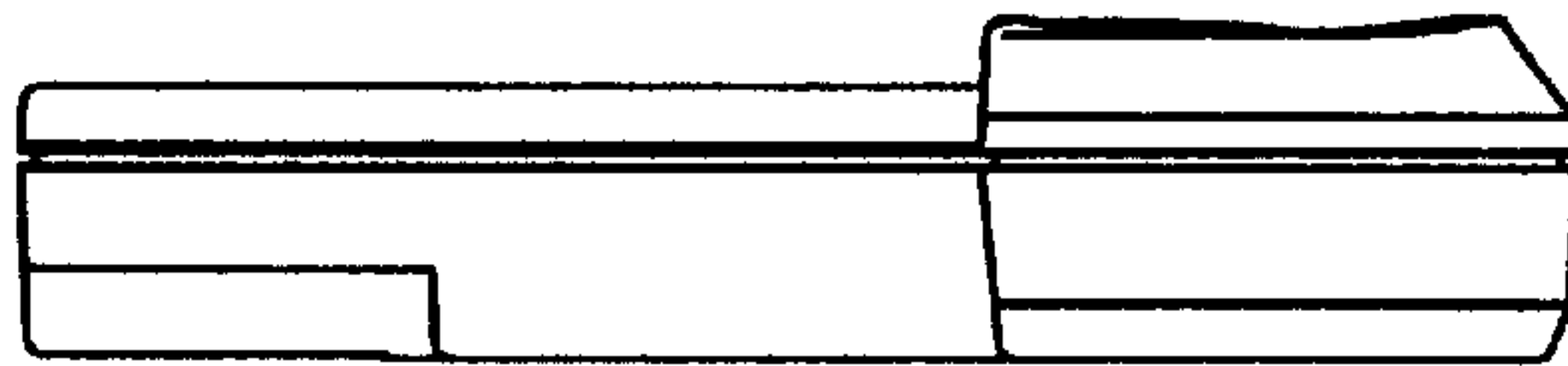


Fig. 5

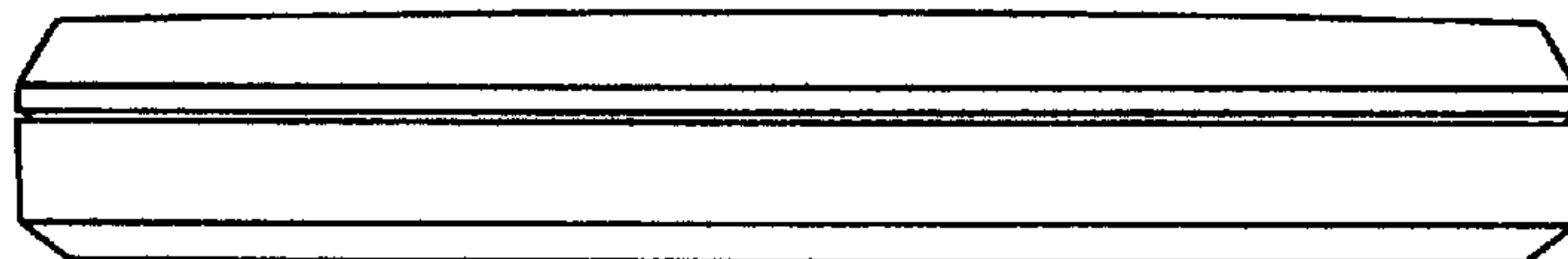


Fig. 6

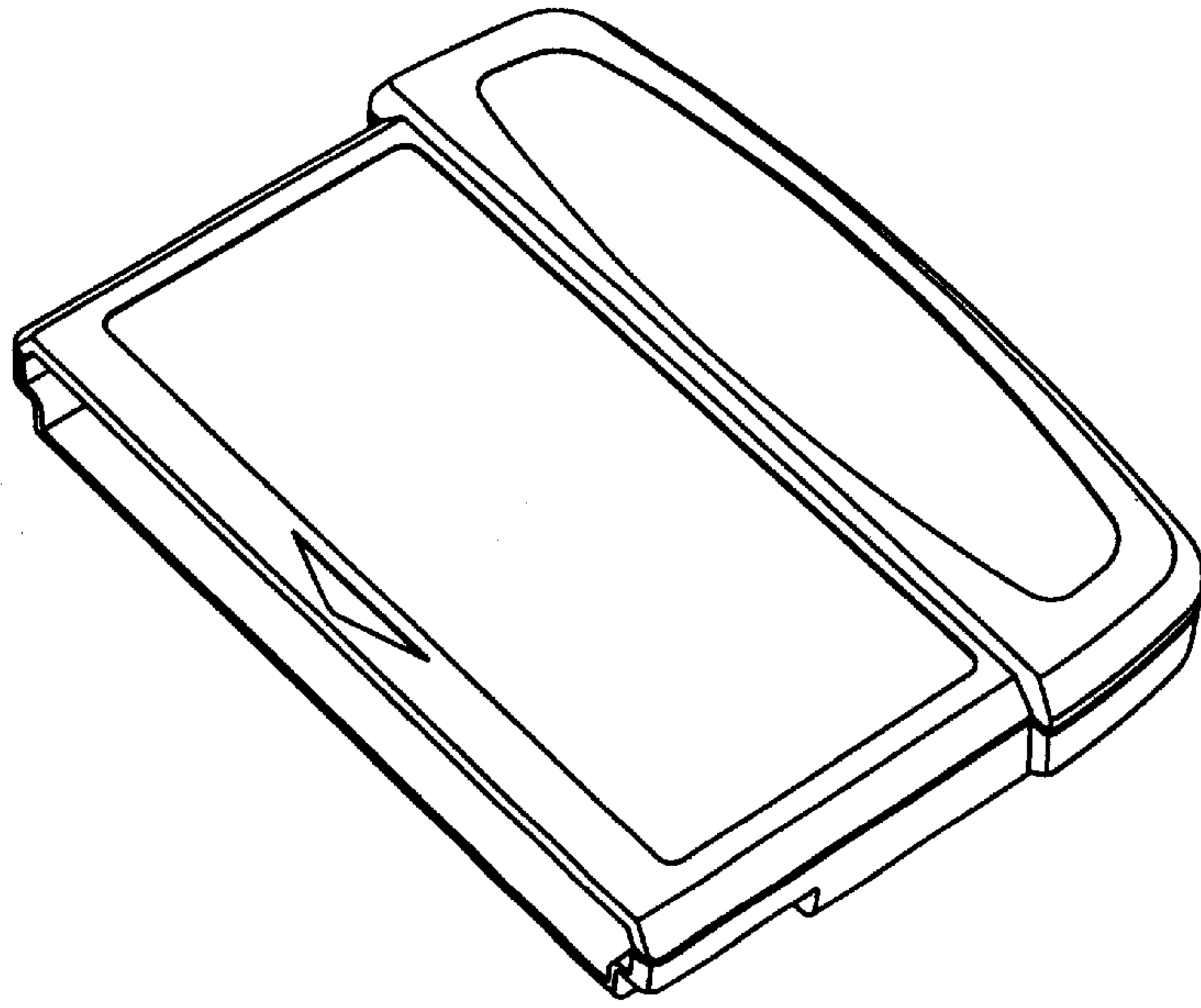
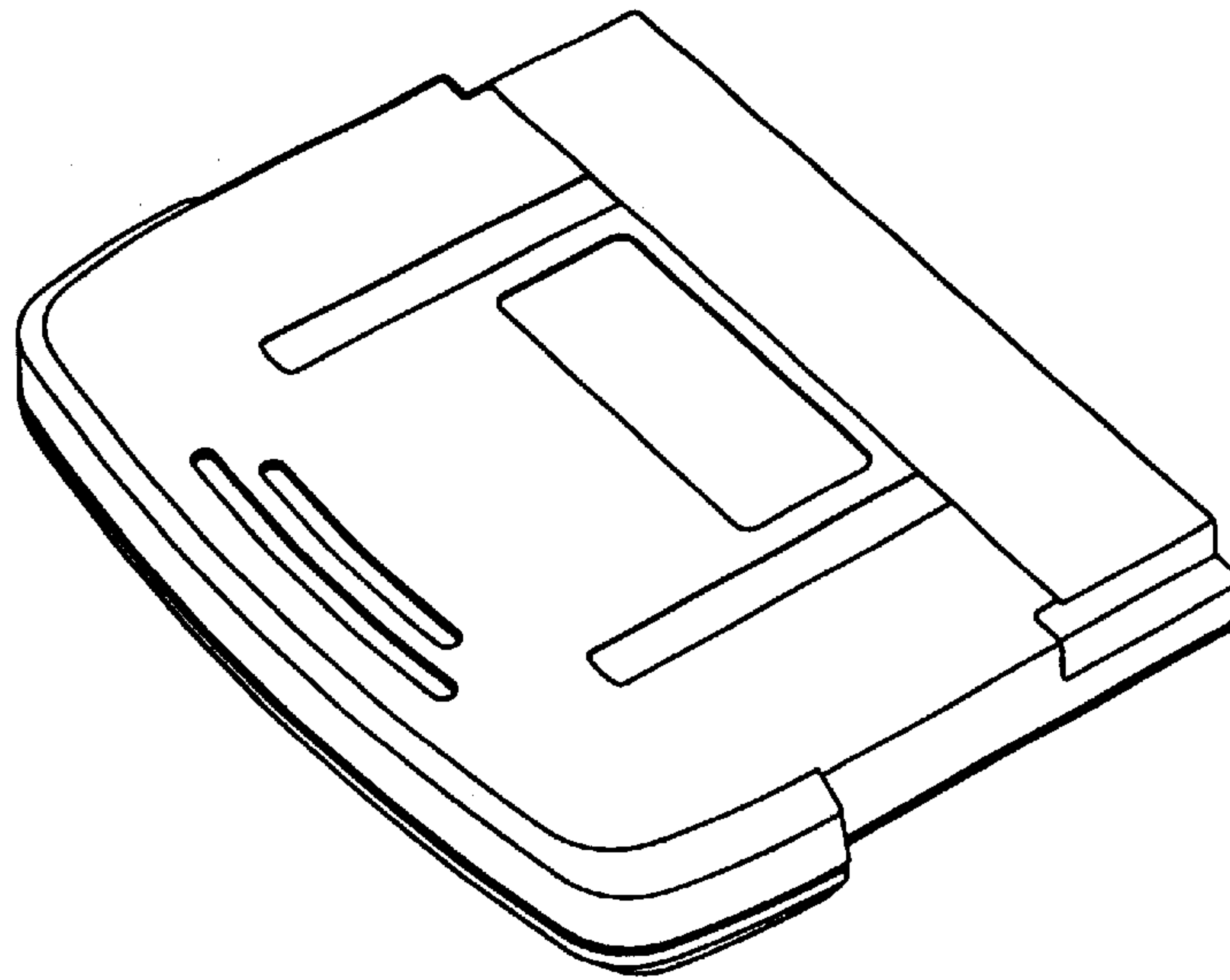


Fig. 7



UNITED STATES PATENT AND TRADEMARK OFFICE
CERTIFICATE OF CORRECTION

PATENT NO. : Des. 480,764 S
DATED : October 14, 2003
INVENTOR(S) : Inoue, Y. et al.

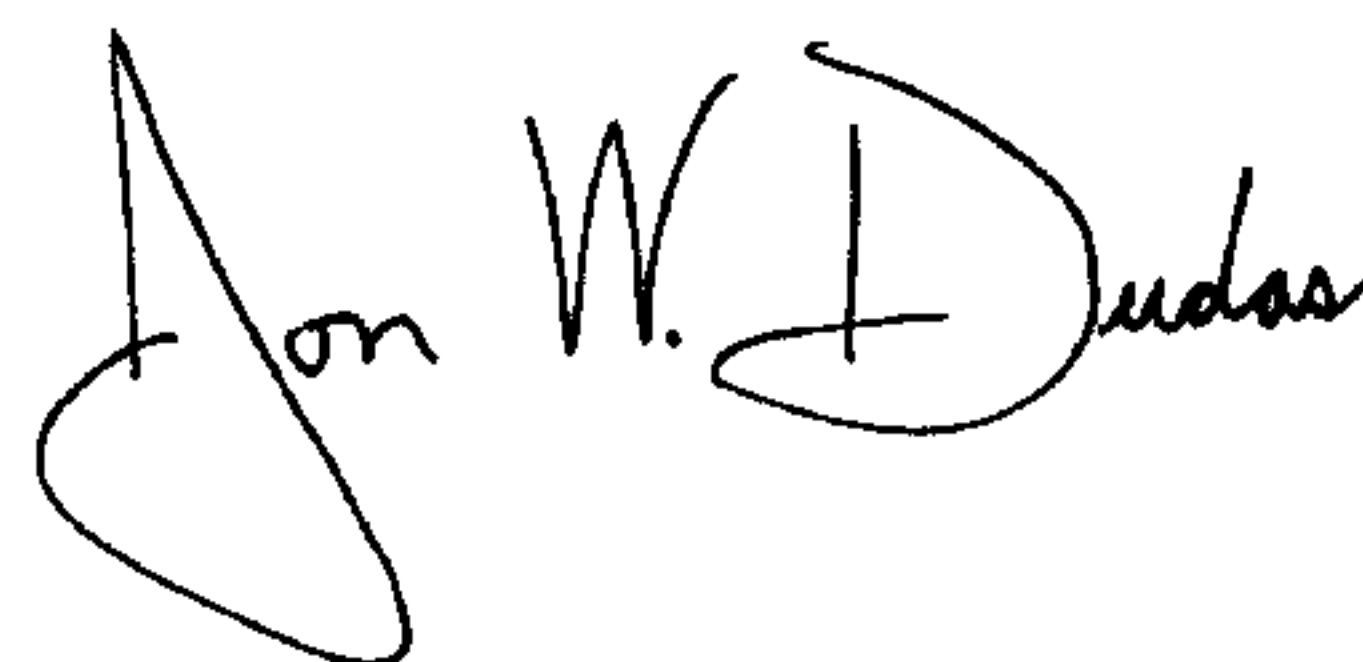
Page 1 of 4

It is certified that error appears in the above-identified patent and that said Letters Patent is hereby corrected as shown below:

Please insert the attached formal drawings to replace the informal drawings.

Signed and Sealed this

Twentieth Day of January, 2004

A handwritten signature in black ink that reads "Jon W. Dudas". The signature is written in a cursive style with a large, looped initial "J".

JON W. DUDAS
Acting Director of the United States Patent and Trademark Office

Fig. 1

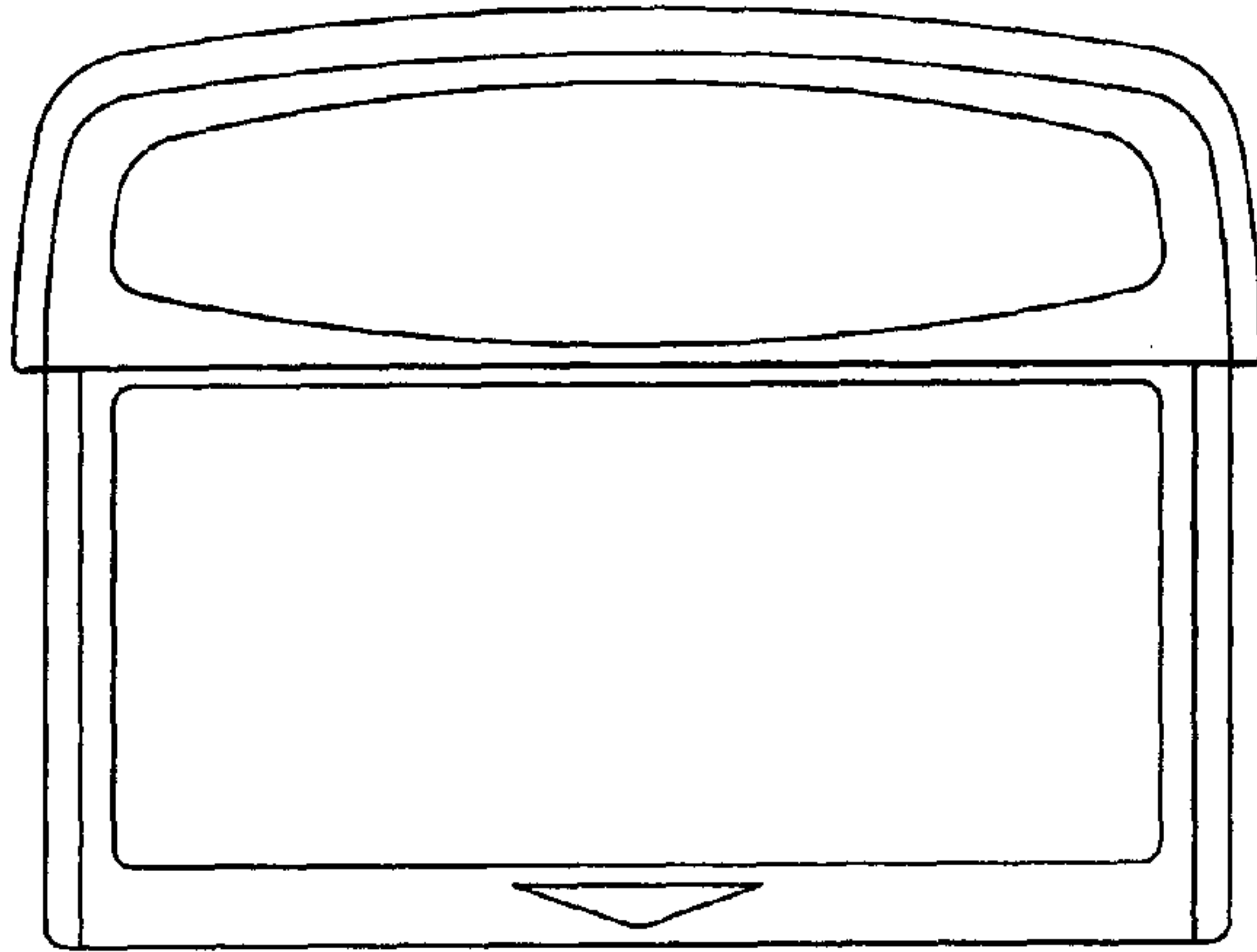


Fig. 2

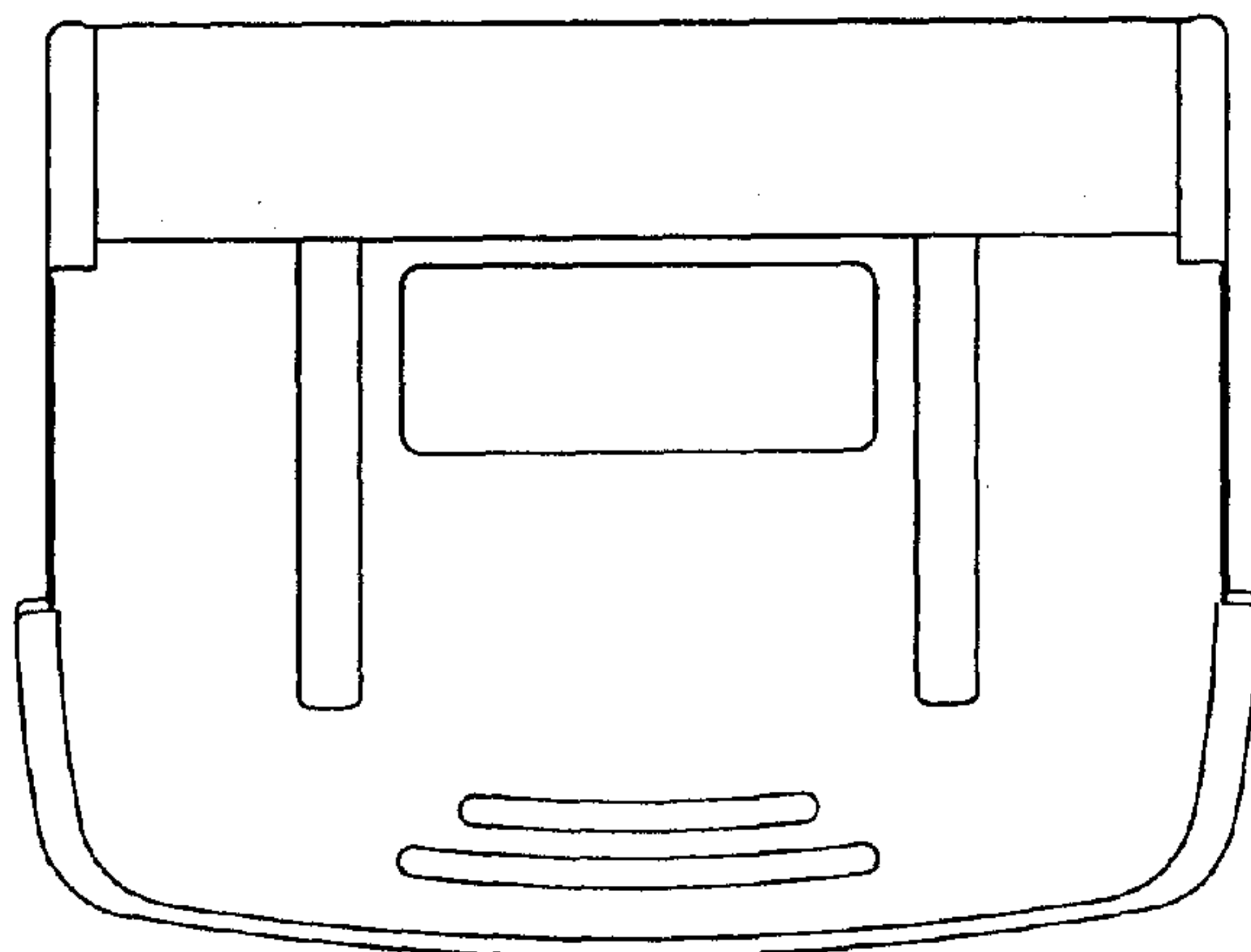


Fig. 3

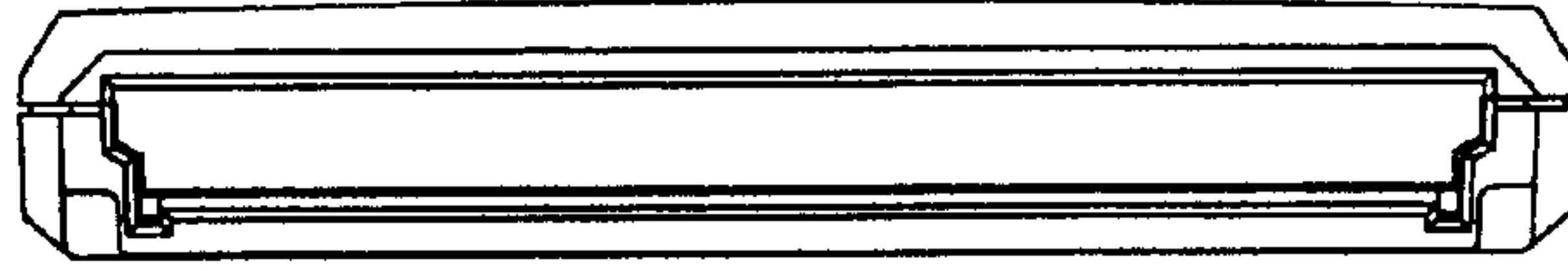


Fig. 4

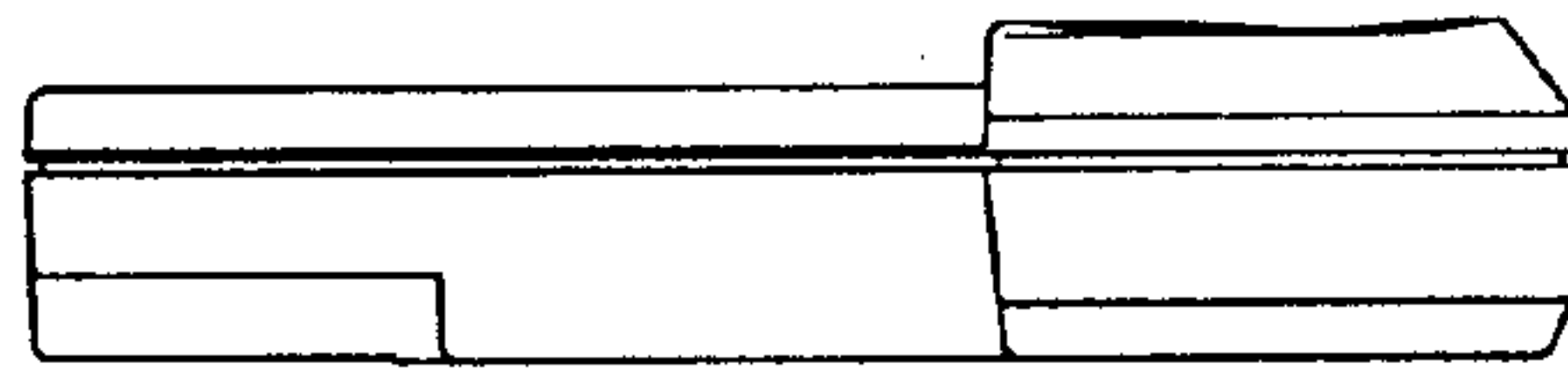


Fig. 5

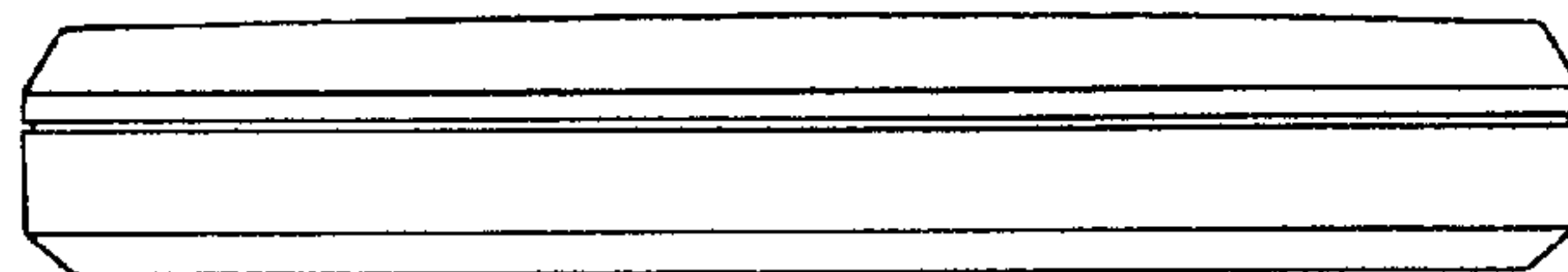


Fig. 6

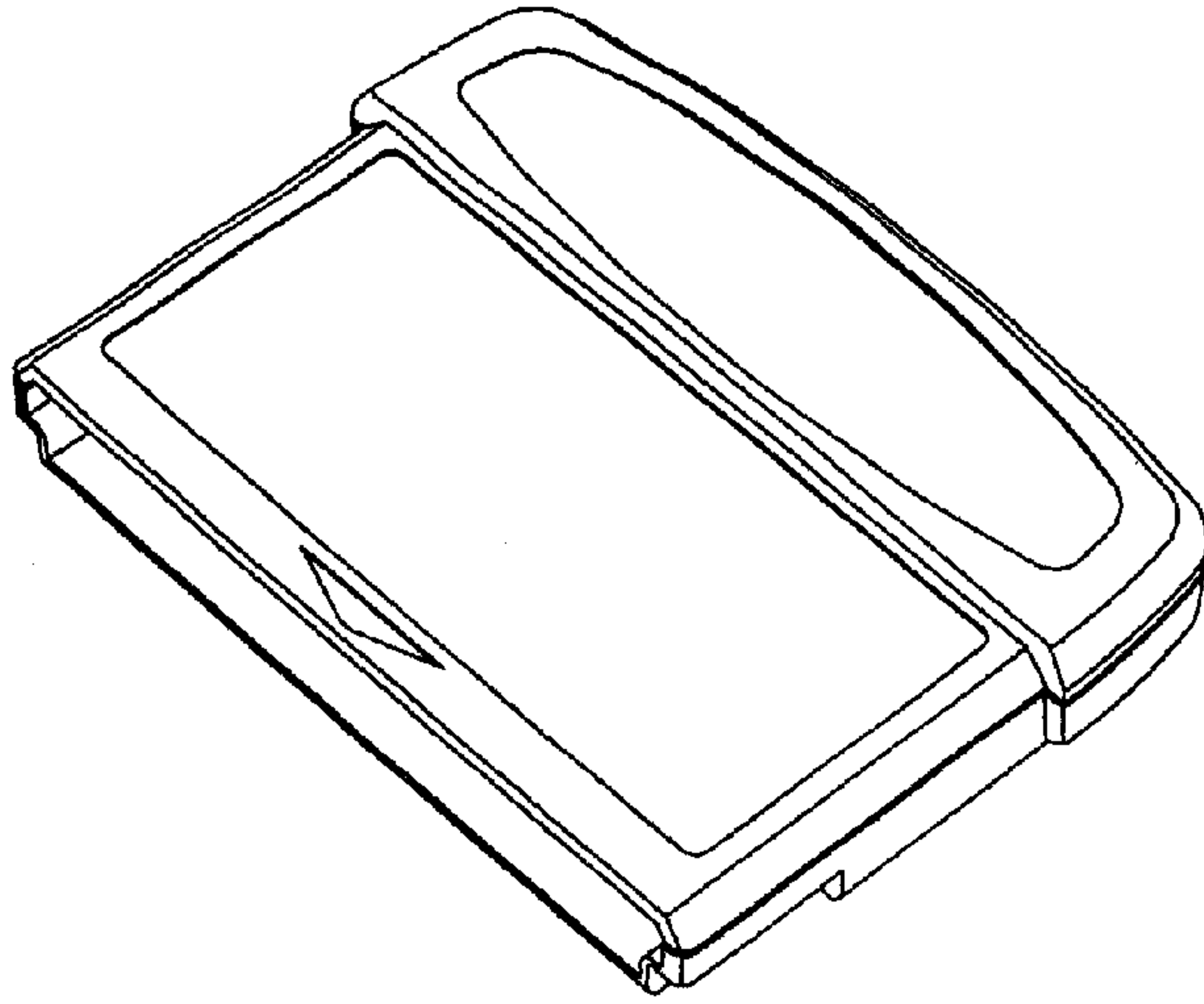


Fig. 7

