



US00D480759S

(12) **United States Design Patent**  
**Heimbecher**

(10) **Patent No.:** **US D480,759 S**

(45) **Date of Patent:** **\*\* Oct. 14, 2003**

(54) **SORTER**

(75) **Inventor:** **Reed R. Heimbecher**, Golden, CO (US)

(73) **Assignee:** **Heimbecher Enterprises, LLC**, Golden, CO (US)

(\*\*) **Term:** **14 Years**

(21) **Appl. No.:** **29/165,413**

(22) **Filed:** **Aug. 8, 2002**

(51) **LOC (7) Cl.** ..... **19-02**

(52) **U.S. Cl.** ..... **D19/90; D19/75**

(58) **Field of Search** ..... D19/65, 75, 78, D19/86, 90, 91, 95, 99, 100; D6/470, 407; 211/40, 43, 10, 11, 126.13, 184, 41.1, 41.12, 41.13, 44, 45, 50, 51; 312/9.47, 234.1, 234.5

(56) **References Cited**

**U.S. PATENT DOCUMENTS**

- 970,103 A \* 9/1910 Parrott ..... 312/234.1
- 1,750,866 A \* 3/1930 Skowron ..... 312/234.1
- 2,825,465 A \* 3/1958 Burgo ..... 211/40

- D221,703 S \* 8/1971 Fleming ..... D19/90
- 4,317,603 A \* 3/1982 Pepicelli et al. .... 312/9.47
- D281,658 S \* 12/1985 Kikutani ..... D6/407
- D281,699 S \* 12/1985 Fukuda ..... D19/90 X
- 4,759,449 A \* 7/1988 Gold ..... 211/43
- 5,732,832 A \* 3/1998 Kordowski ..... 211/43

\* cited by examiner

*Primary Examiner*—Martie K. Holtje

(74) *Attorney, Agent, or Firm*—Reed R. Heimbecher

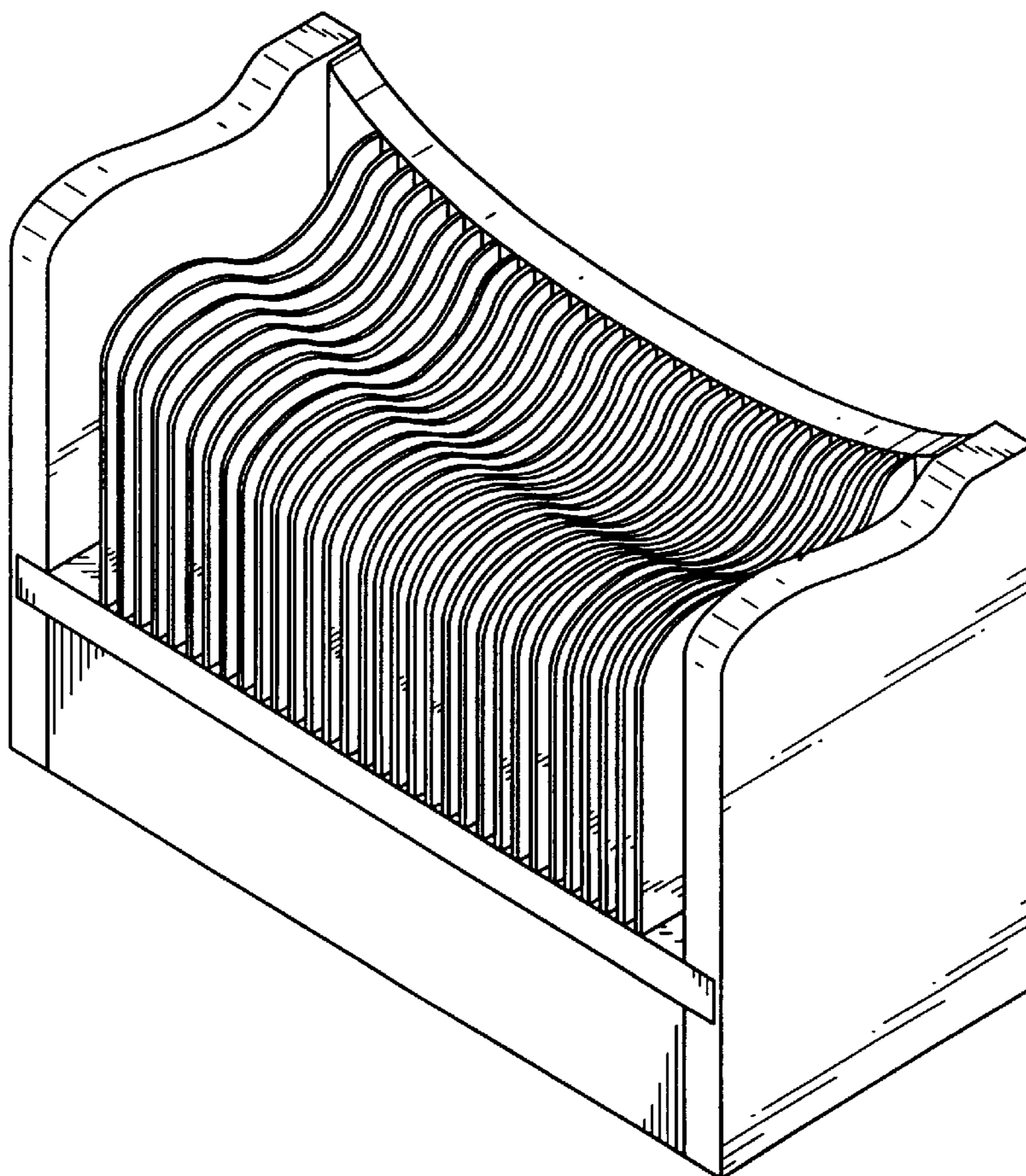
(57) **CLAIM**

I claim the ornamental design for a sorter, as shown and described.

**DESCRIPTION**

FIG. 1 is an isometric view looking downwardly toward the top, front, and right side of the sorter;  
 FIG. 2 is a front elevation of the sorter;  
 FIG. 3 is a rear elevation of the sorter;  
 FIG. 4 is a right side elevation of the sorter;  
 FIG. 5 is a left side elevation of the sorter;  
 FIG. 6 is a top plan view of the sorter; and,  
 FIG. 7 is a bottom plan view of the sorter.

**1 Claim, 4 Drawing Sheets**



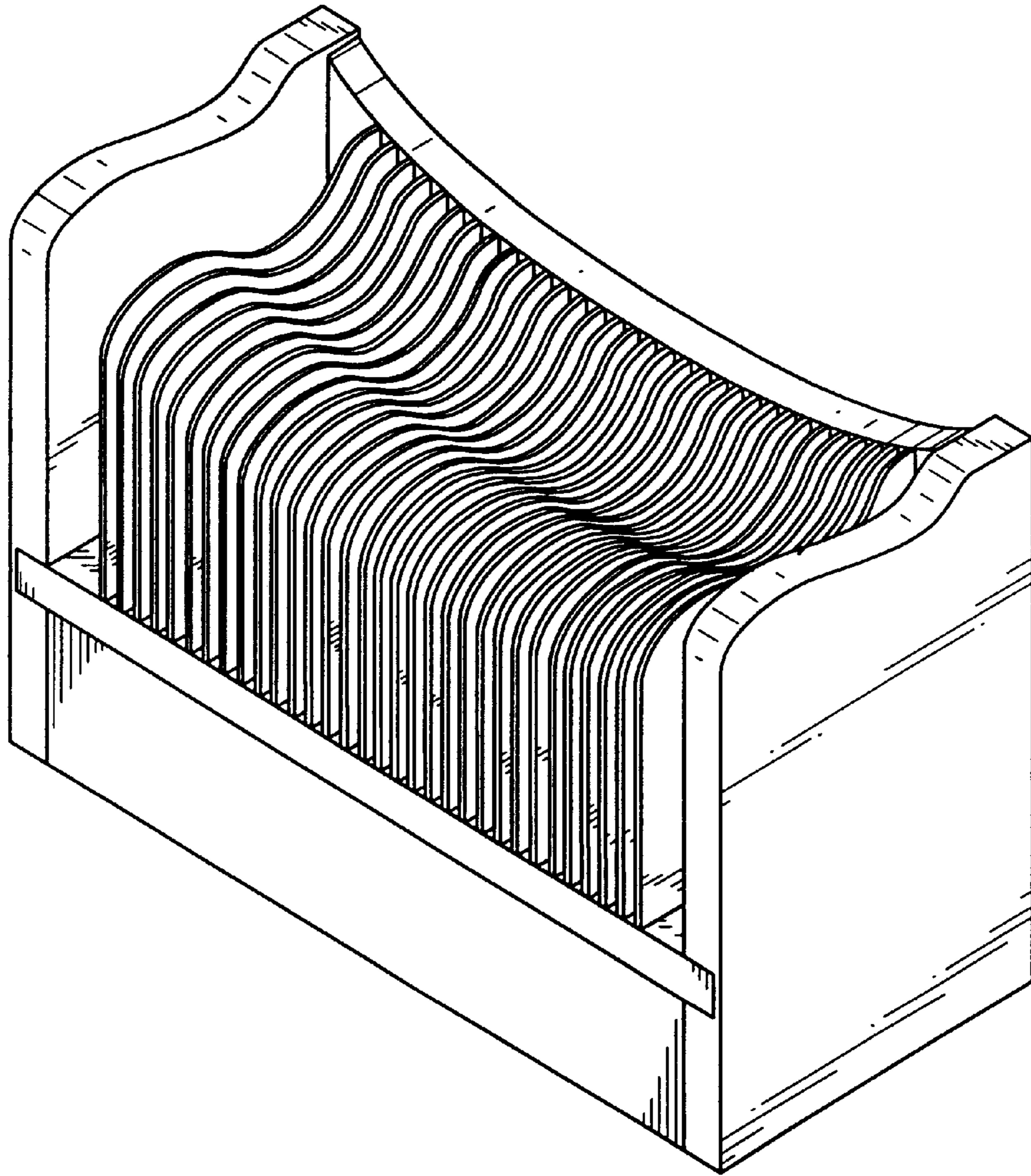


FIG.1

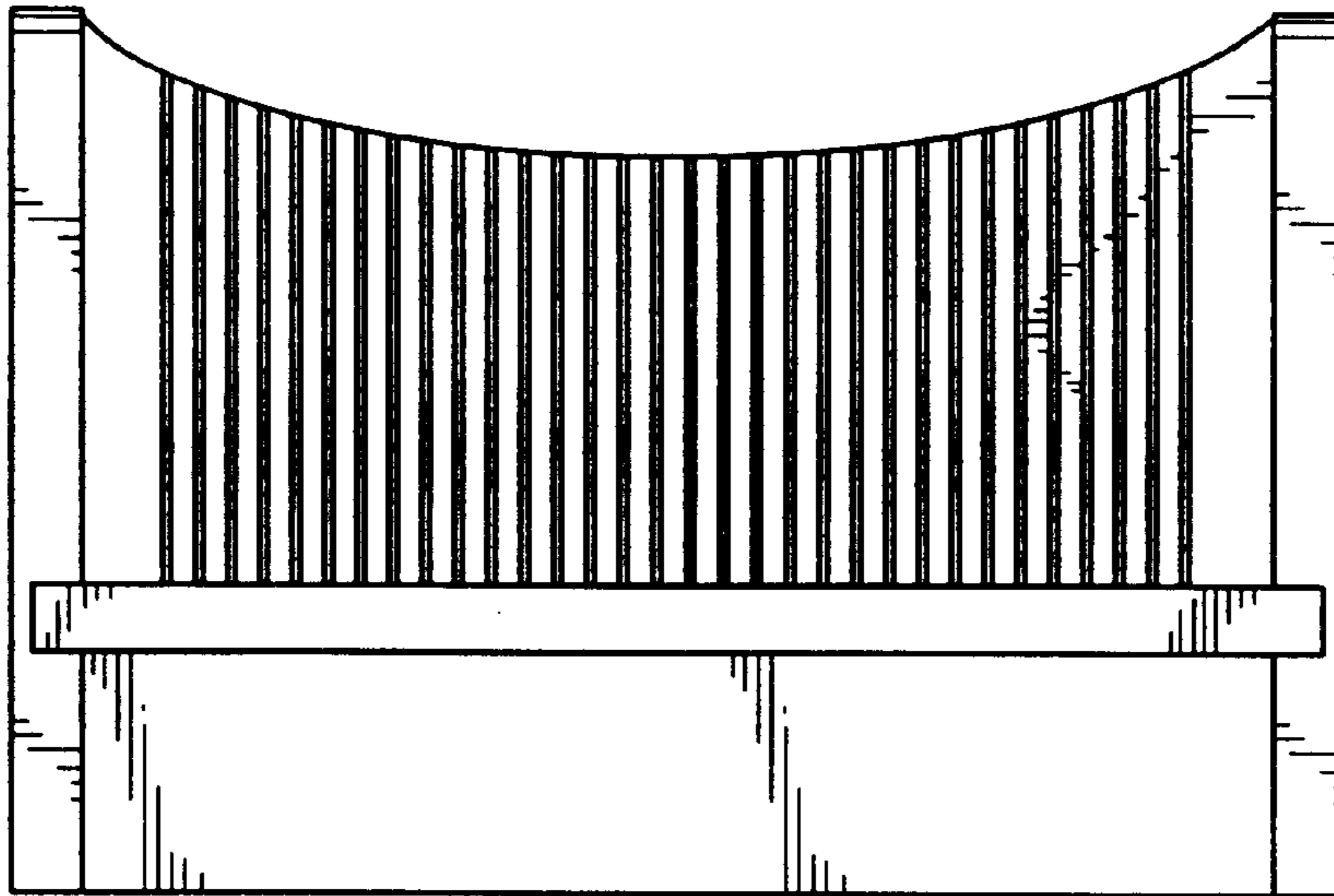


FIG. 2

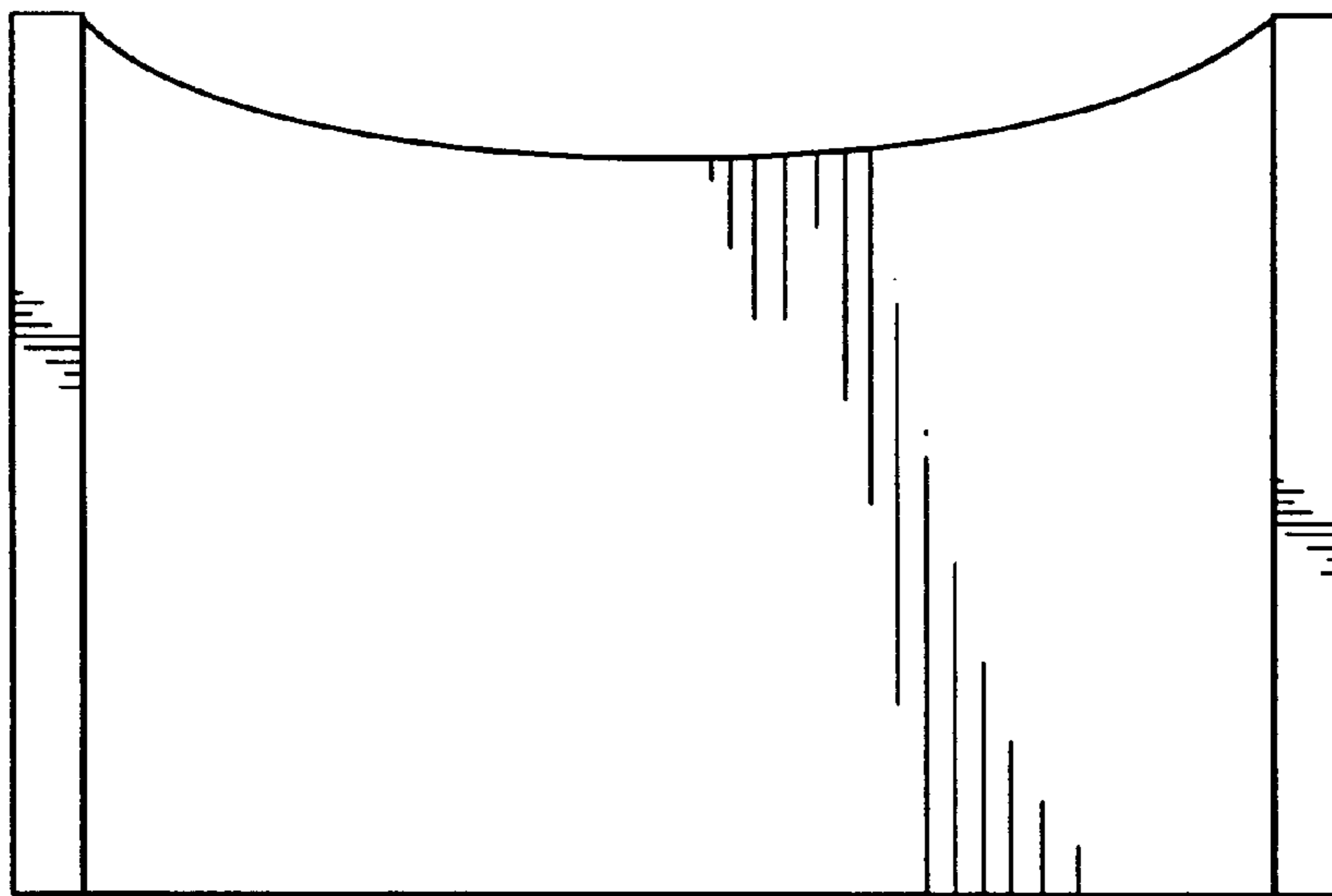


FIG. 3

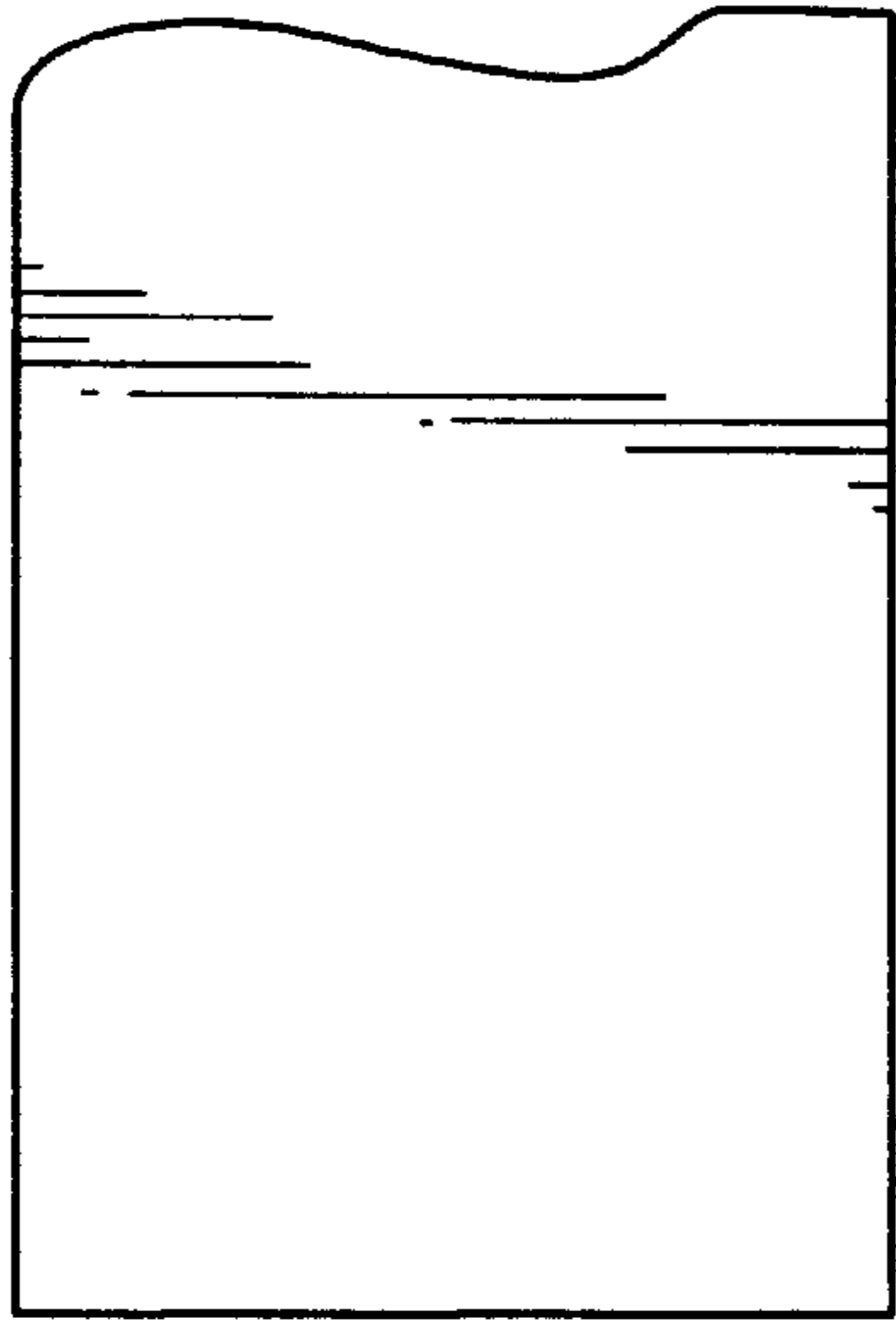


FIG. 4

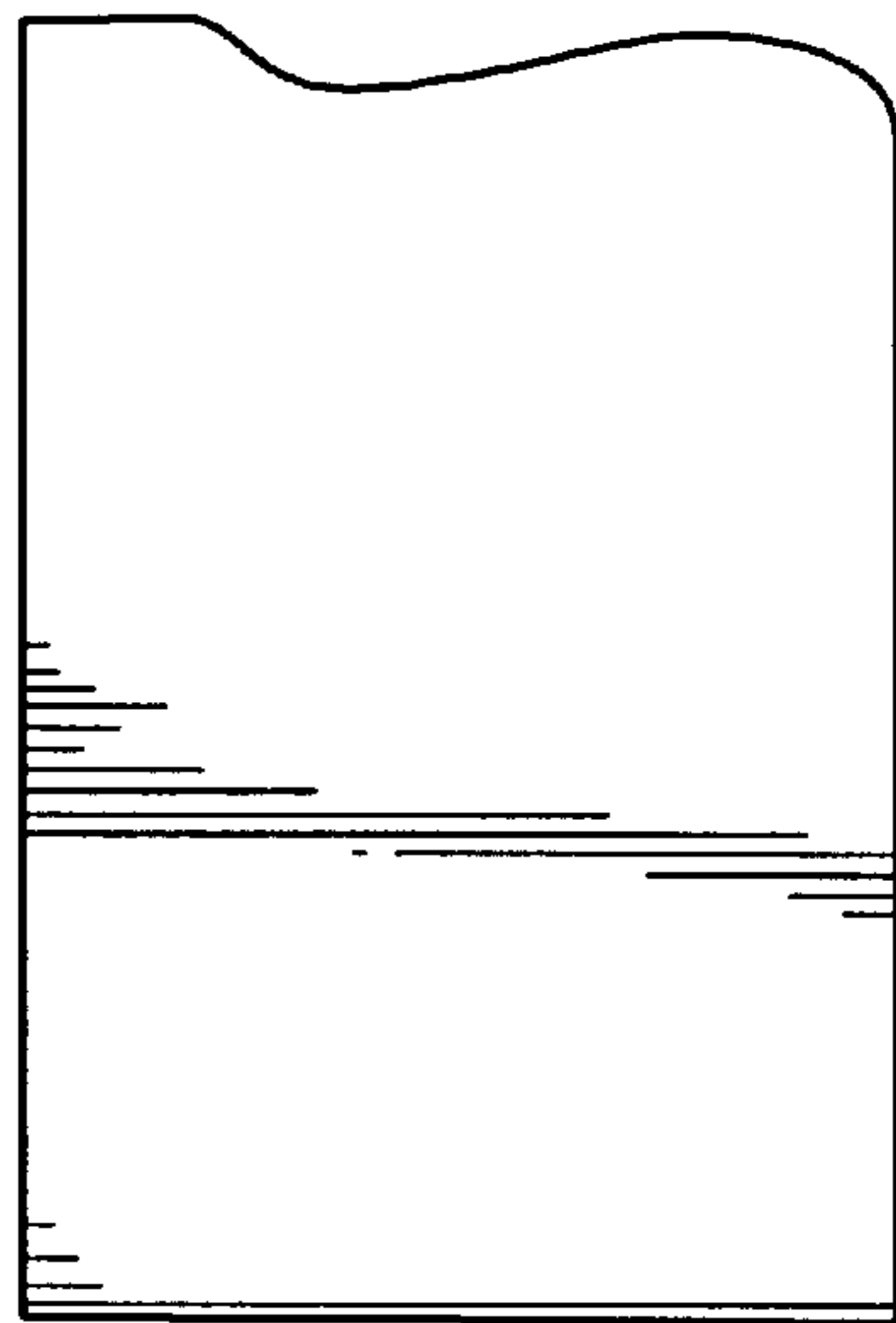


FIG. 5

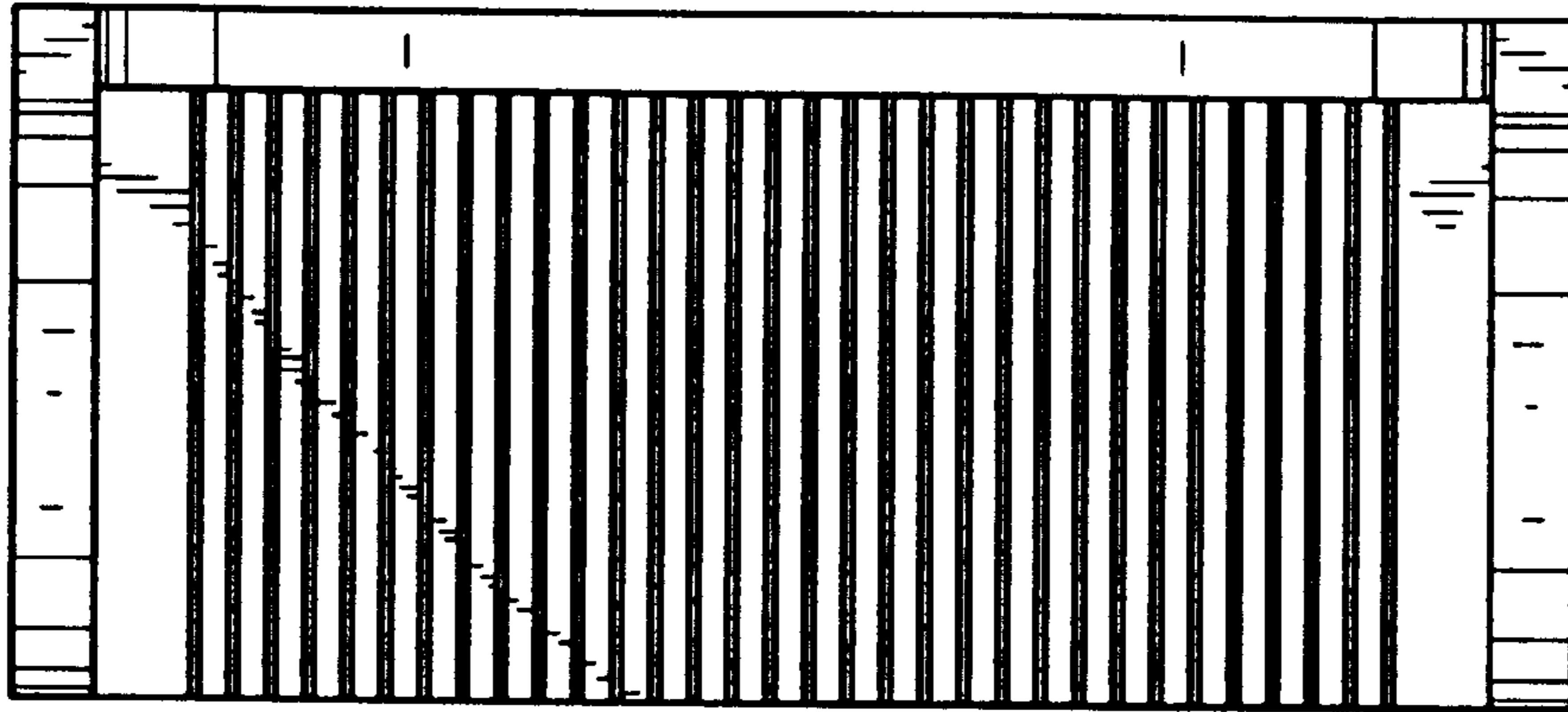


FIG. 6

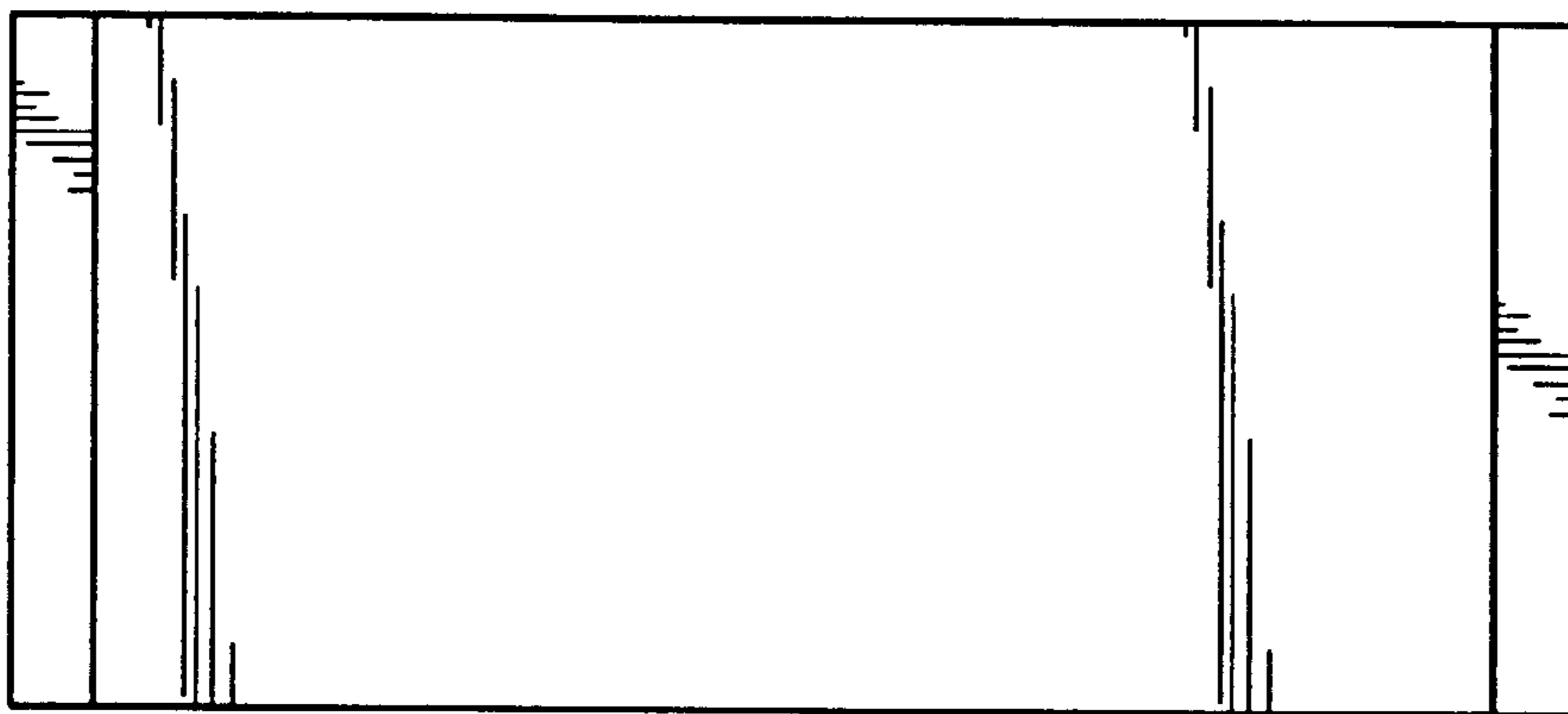


FIG. 7