



US00D480757S

(12) **United States Design Patent**
Kennedy

(10) **Patent No.:** **US D480,757 S**

(45) **Date of Patent:** **** Oct. 14, 2003**

(54) **END PLUG FOR A WRITING INSTRUMENT**

(75) Inventor: **Jeffrey A. Kennedy**, Algonquin, IL
(US)

(73) Assignee: **Berol Corporation**, Freeport, IL (US)

(**) Term: **14 Years**

(21) Appl. No.: **29/169,862**

(22) Filed: **Oct. 28, 2002**

(51) **LOC (7) Cl.** **19-06**

(52) **U.S. Cl.** **D19/54; D19/44**

(58) **Field of Search** D19/35, 36, 41-44,
D19/45-51, 53-58, 81-85; 401/6, 7, 8,
88, 98, 52, 131, 195, 262, 202, 213, 243-247;
D3/207, 208, 209, 210, 211

(56) **References Cited**

U.S. PATENT DOCUMENTS

D11,456 S	*	10/1879	Fairchild	D19/42
1,868,200 A	*	7/1932	Freedman	401/98
D142,330 S	*	8/1945	Trollen	D19/44 X
D280,110 S	*	8/1985	Brooks	D19/42
D338,037 S	*	8/1993	Miller et al.	D19/44
D368,490 S	*	4/1996	Melnick	D19/51

D383,884 S	*	9/1997	O'Shei	D32/42
D417,698 S	*	12/1999	Tsuchida	D19/45
D443,642 S	*	6/2001	Tsuchikura	D19/36
6,406,203 B1	*	6/2002	Maurer	401/131
D462,387 S	*	9/2002	Debbas et al.	D19/43

* cited by examiner

Primary Examiner—Martie K. Holtje

(74) *Attorney, Agent, or Firm*—Marshall, Gerstein & Borun
LLP

(57) **CLAIM**

The ornamental design for an “end plug for a writing instrument”, as shown and described.

DESCRIPTION

FIG. 1 is a front view showing my new design, the rear view being a mirror image thereof;

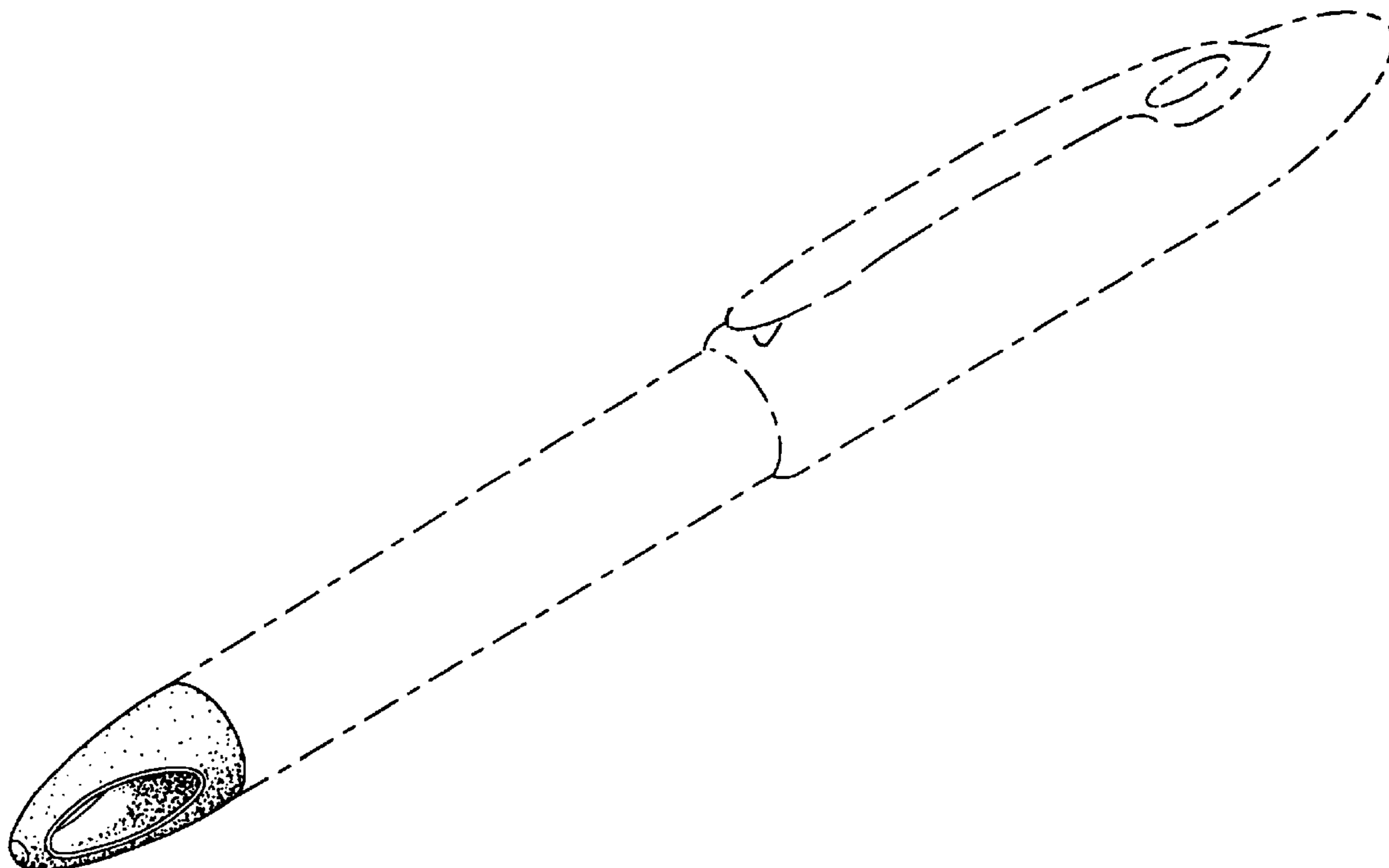
FIG. 2 is a left side elevational view, the right side elevational view being a mirror image thereof;

FIG. 3 is a plan view thereof; and,

FIG. 4 is a perspective view taken from the front, side, and above thereof.

The broken line showing of a writing instrument is for illustrative purposes only and forms no part of the claimed design.

1 Claim, 2 Drawing Sheets



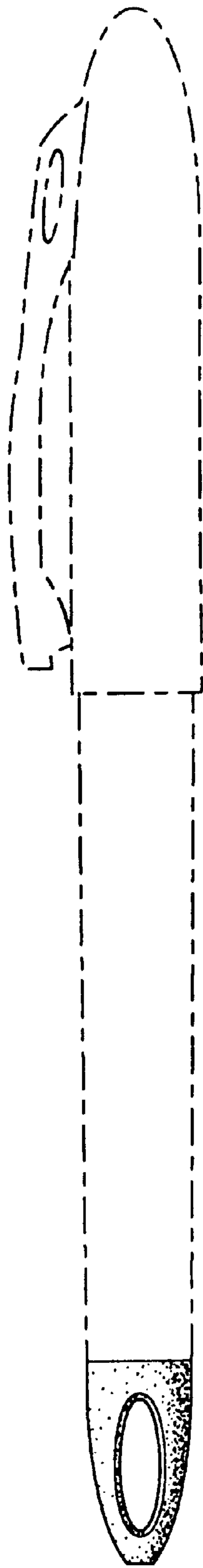


FIG. 1

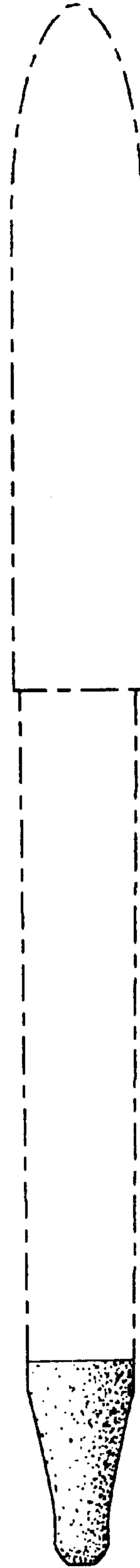


FIG. 2

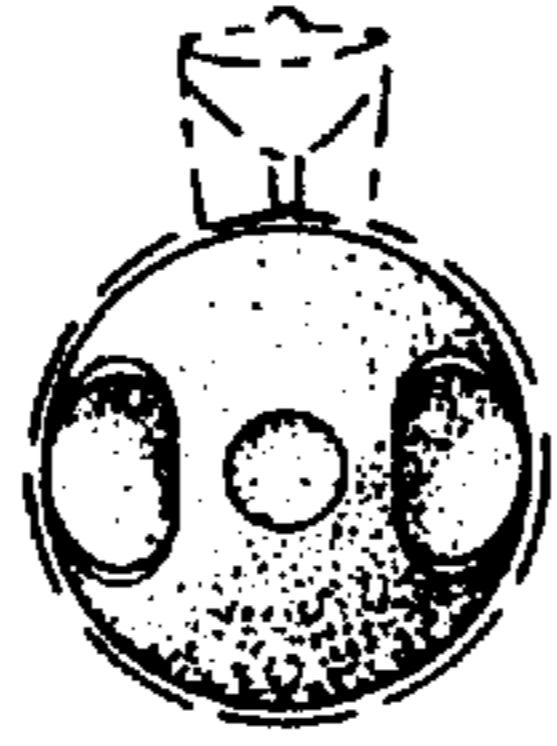


FIG. 3

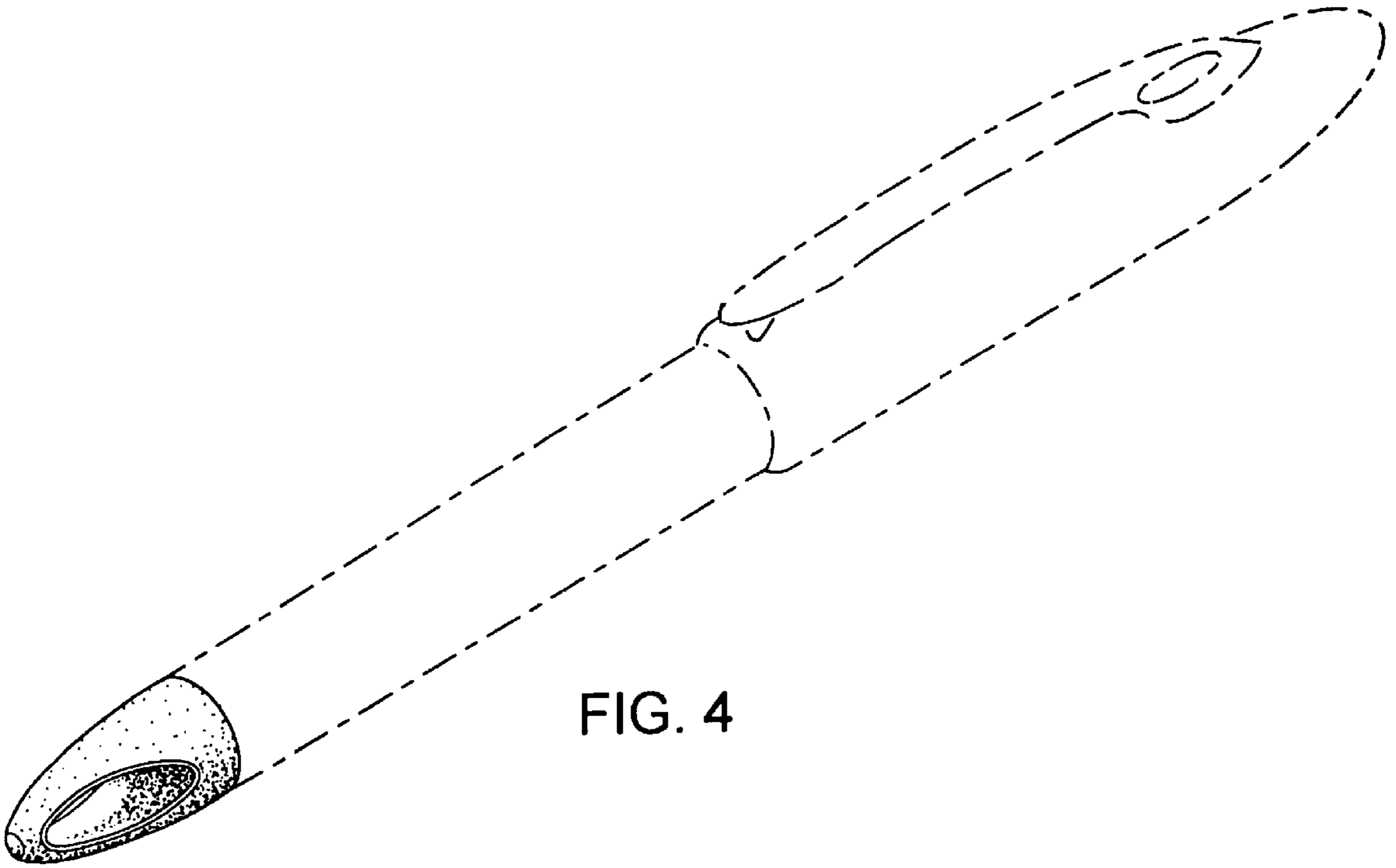


FIG. 4