



US00D480752S

(12) **United States Design Patent**
Tatara et al.

(10) **Patent No.:** **US D480,752 S**

(45) **Date of Patent:** **** Oct. 14, 2003**

(54) **PRINTER**

(75) Inventors: **Yoshihiro Tatara**, Nagano-ken (JP);
Katsumi Okuhara, Nagano-ken (JP);
Kazuyoshi Iwama, Nagano-ken (JP)

(73) Assignee: **Seiko Epson Corporation**, Tokyo (JP)

(**) Term: **14 Years**

(21) Appl. No.: **29/171,331**

(22) Filed: **Nov. 21, 2002**

Related U.S. Application Data

(62) Division of application No. 29/150,202, filed on Nov. 13, 2001.

(30) **Foreign Application Priority Data**

May 14, 2001 (JP) 2001-013661
May 14, 2001 (JP) 2001-013662

(51) **LOC (7) Cl.** **14-02**

(52) **U.S. Cl.** **D18/55**

(58) **Field of Search** D18/36-39, 50,
D18/54-55; D14/462-470; 400/613, 613.1-613.4,
691-694, 690.1-690.4

(56) **References Cited**

U.S. PATENT DOCUMENTS

D375,119 S * 10/1996 Pangburn D18/50
D424,099 S * 5/2000 Pangburn D18/50

D424,609 S 5/2000 Inoue et al.
D439,274 S 3/2001 Dwyer et al.
D449,334 S 10/2001 Dwyer et al.
D450,754 S 11/2001 Tatara et al.
D452,706 S 1/2002 Senshiki
D460,478 S 7/2002 Bishop et al.
D466,920 S * 12/2002 Kawahara et al. D18/50
D470,172 S * 2/2003 Tatara et al. D18/55

FOREIGN PATENT DOCUMENTS

JP 1130821 1/2002

* cited by examiner

Primary Examiner—Cathy Anne MacCormac
(74) *Attorney, Agent, or Firm*—Sughrue Mion, PLLC

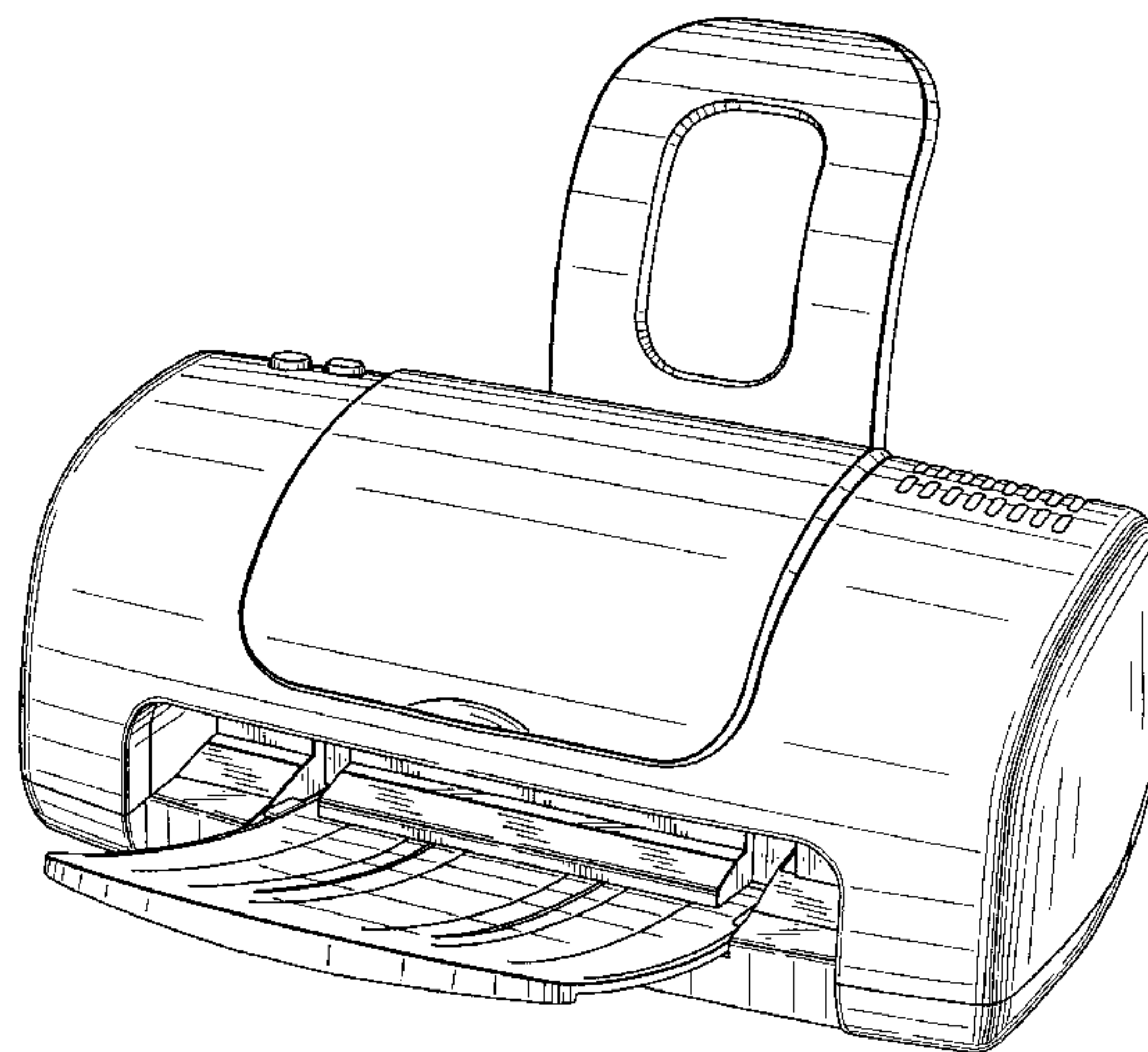
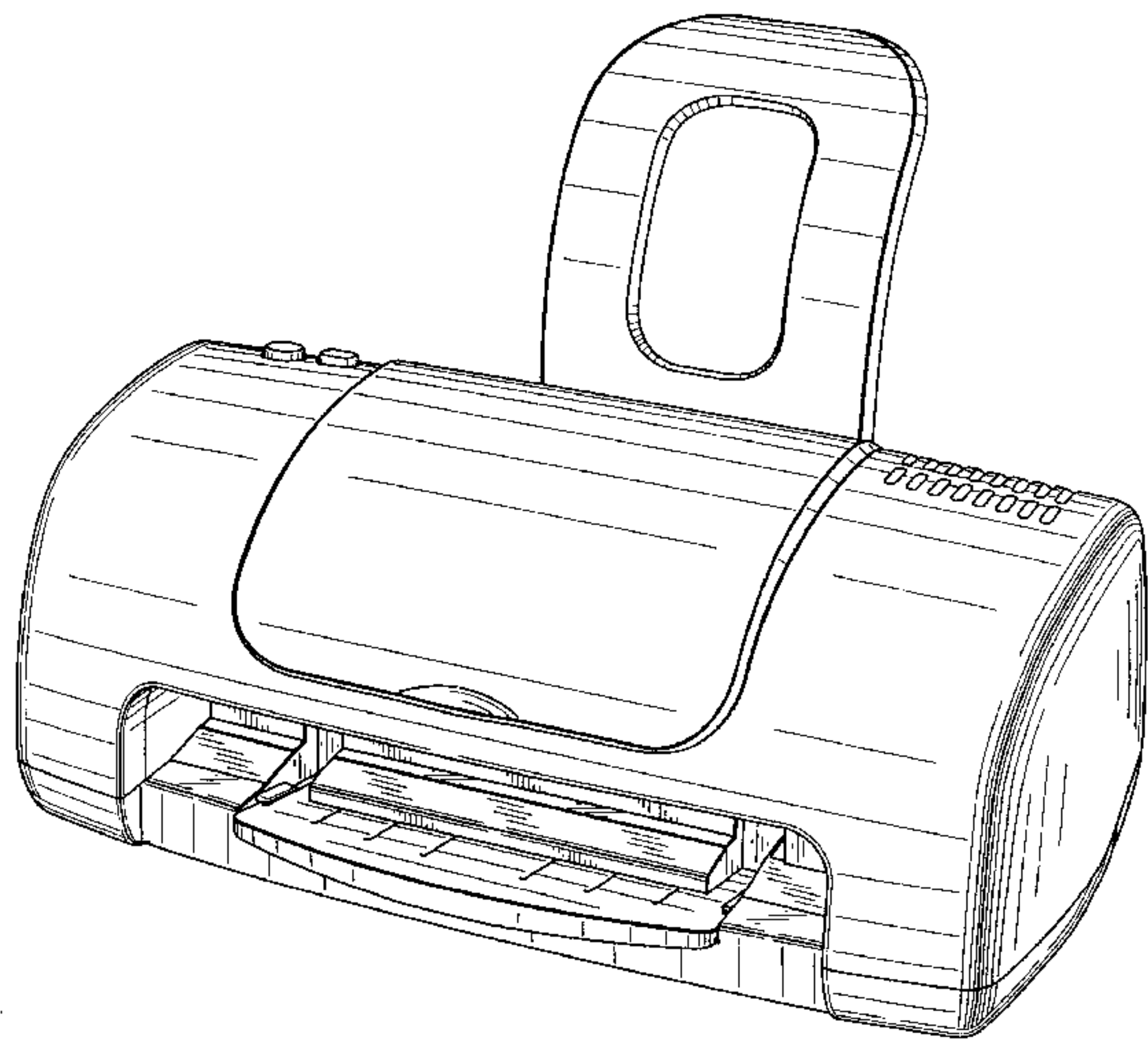
(57) **CLAIM**

The ornamental design for a printer, as shown and described.

DESCRIPTION

FIG. 1 is a perspective view of the top, front and right side of a printer showing our new design;
FIG. 2 is a front elevational view thereof;
FIG. 3 is a rear elevational view thereof;
FIG. 4 is a right side elevational view thereof;
FIG. 5 is a left side elevational view thereof;
FIG. 6 is a top plan view thereof;
FIG. 7 is a bottom plan view thereof; and,
FIG. 8 is perspective view similar to FIG. 1 with the outlet tray in the extended position.

1 Claim, 7 Drawing Sheets



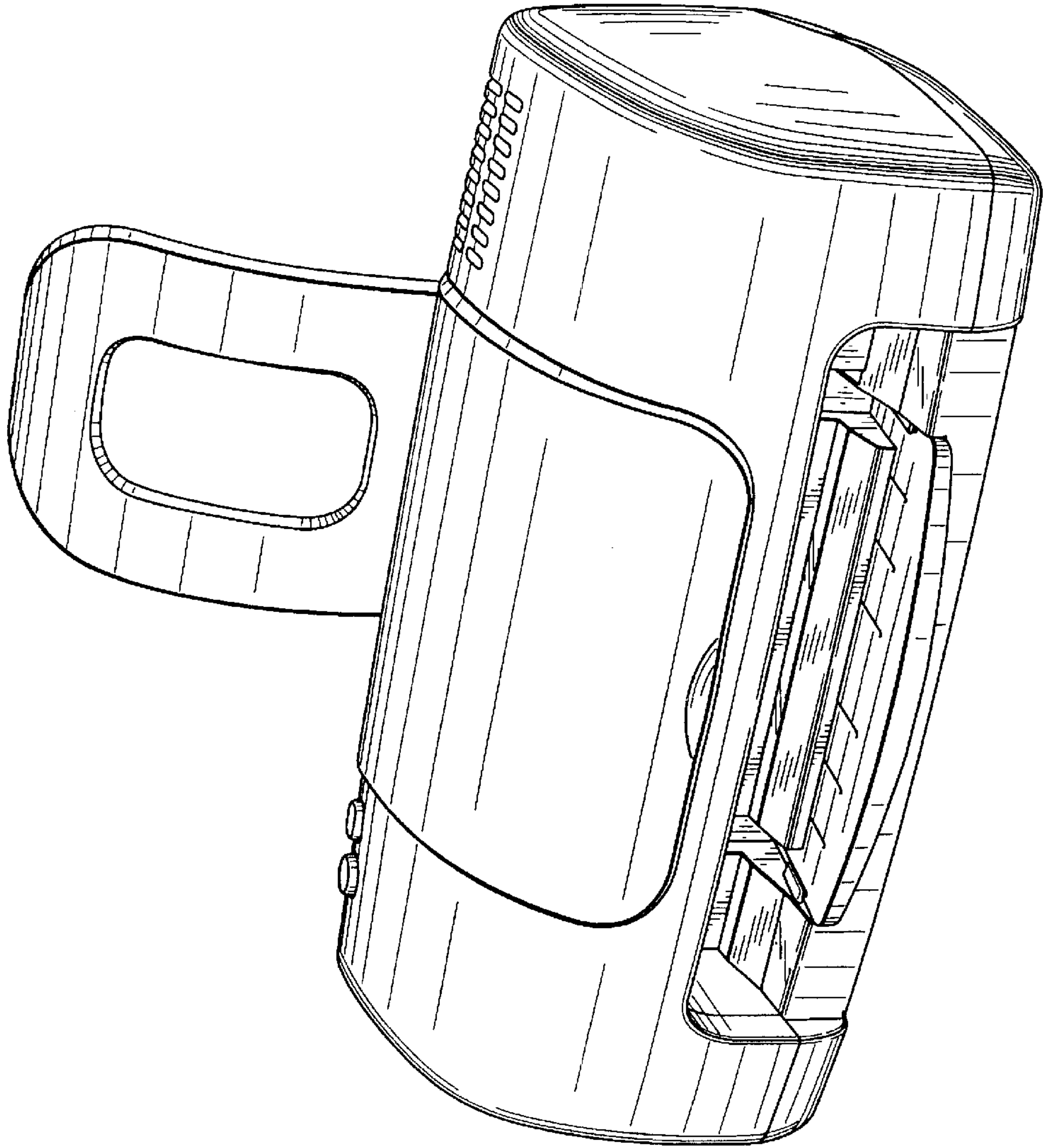


Fig. 1

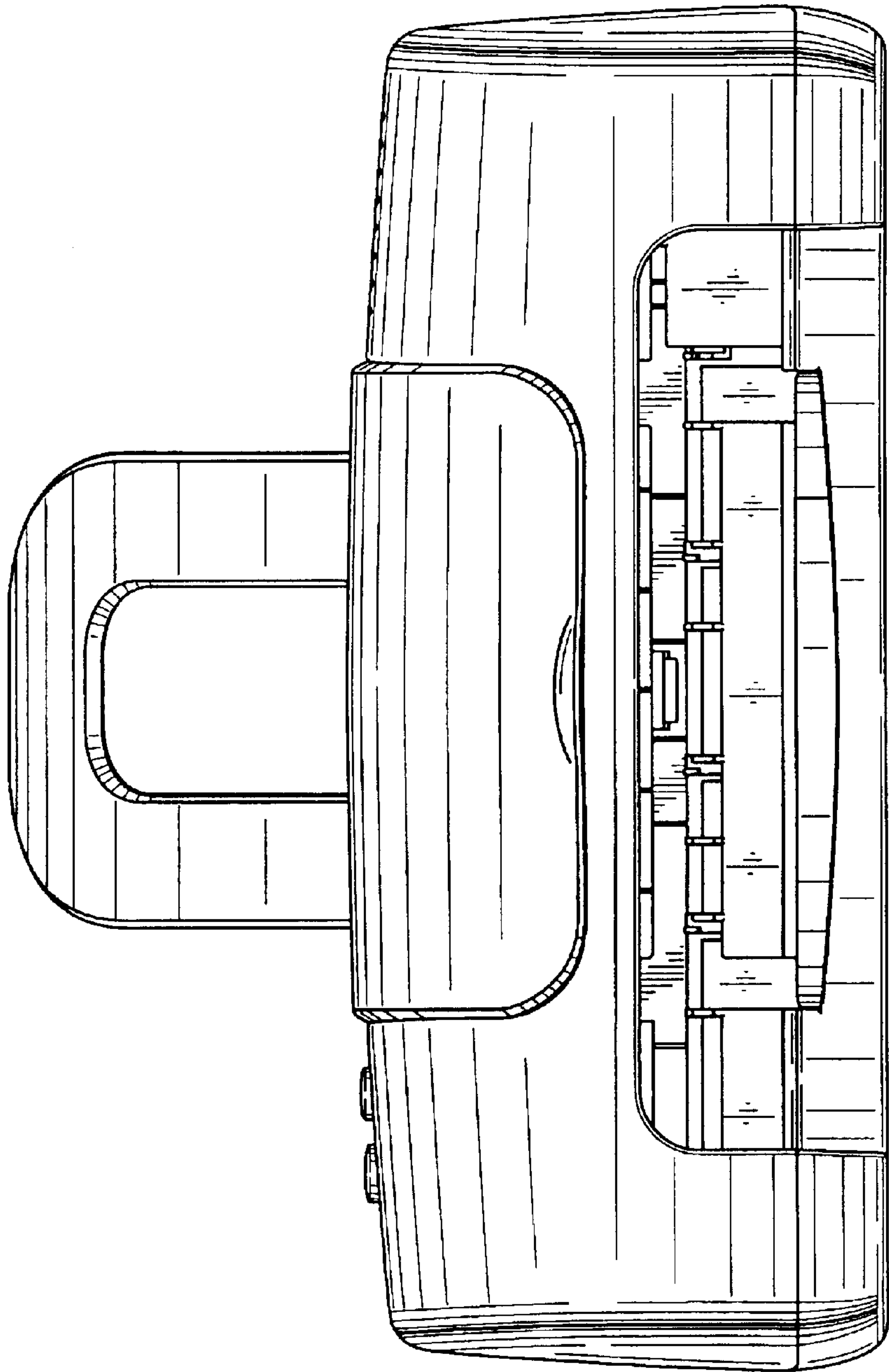


Fig. 2

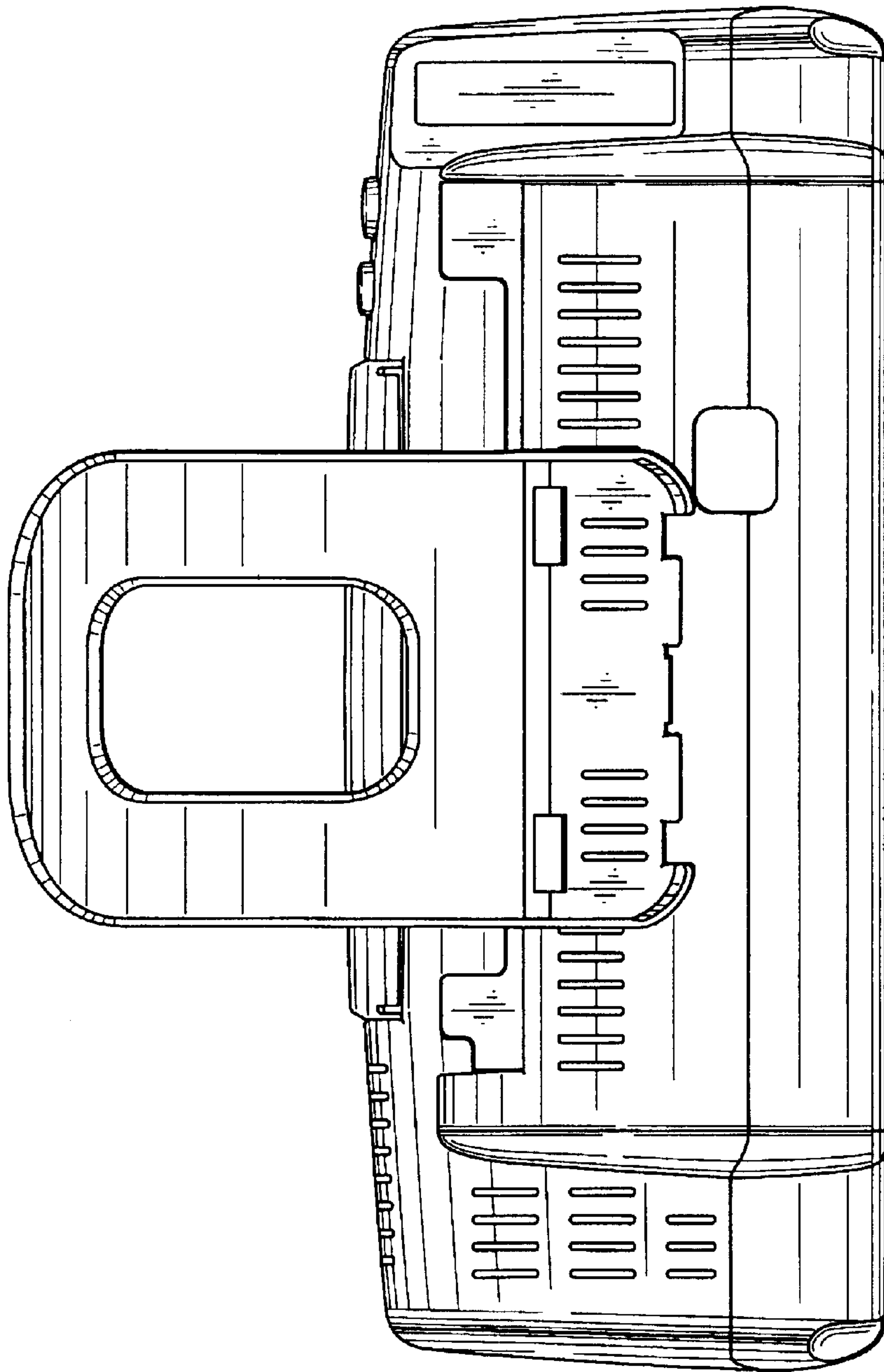


Fig. 3

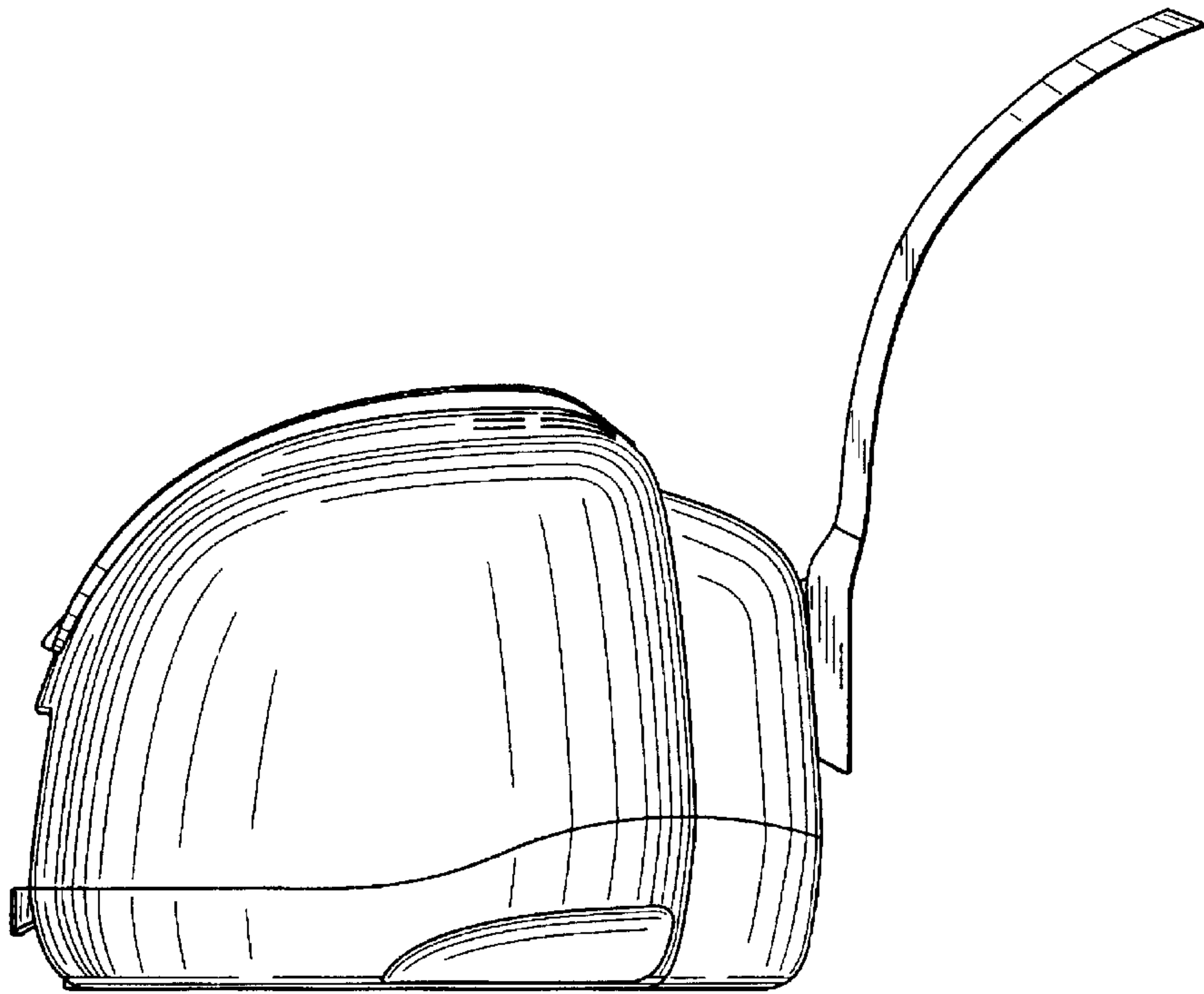


Fig. 4

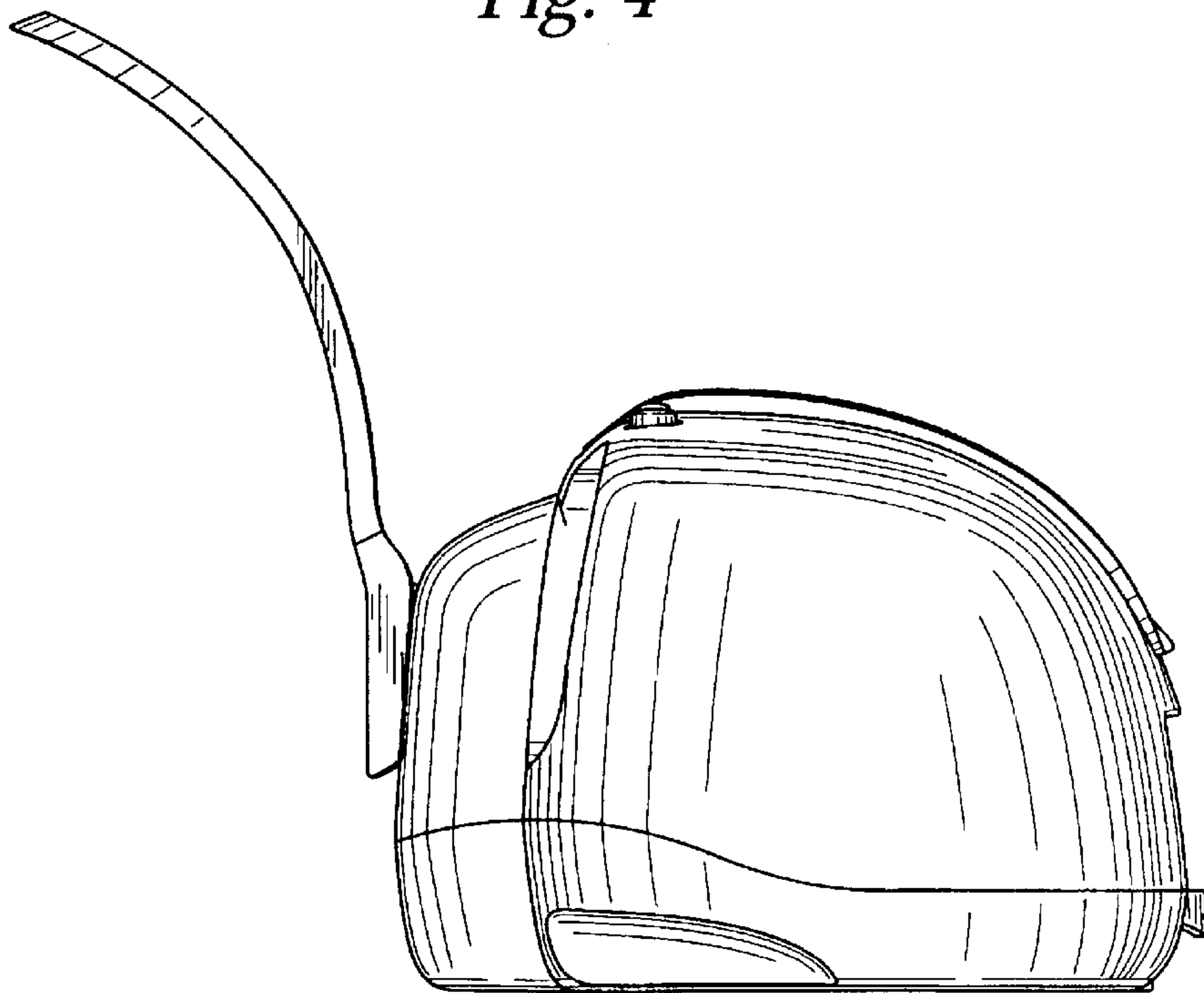


Fig. 5

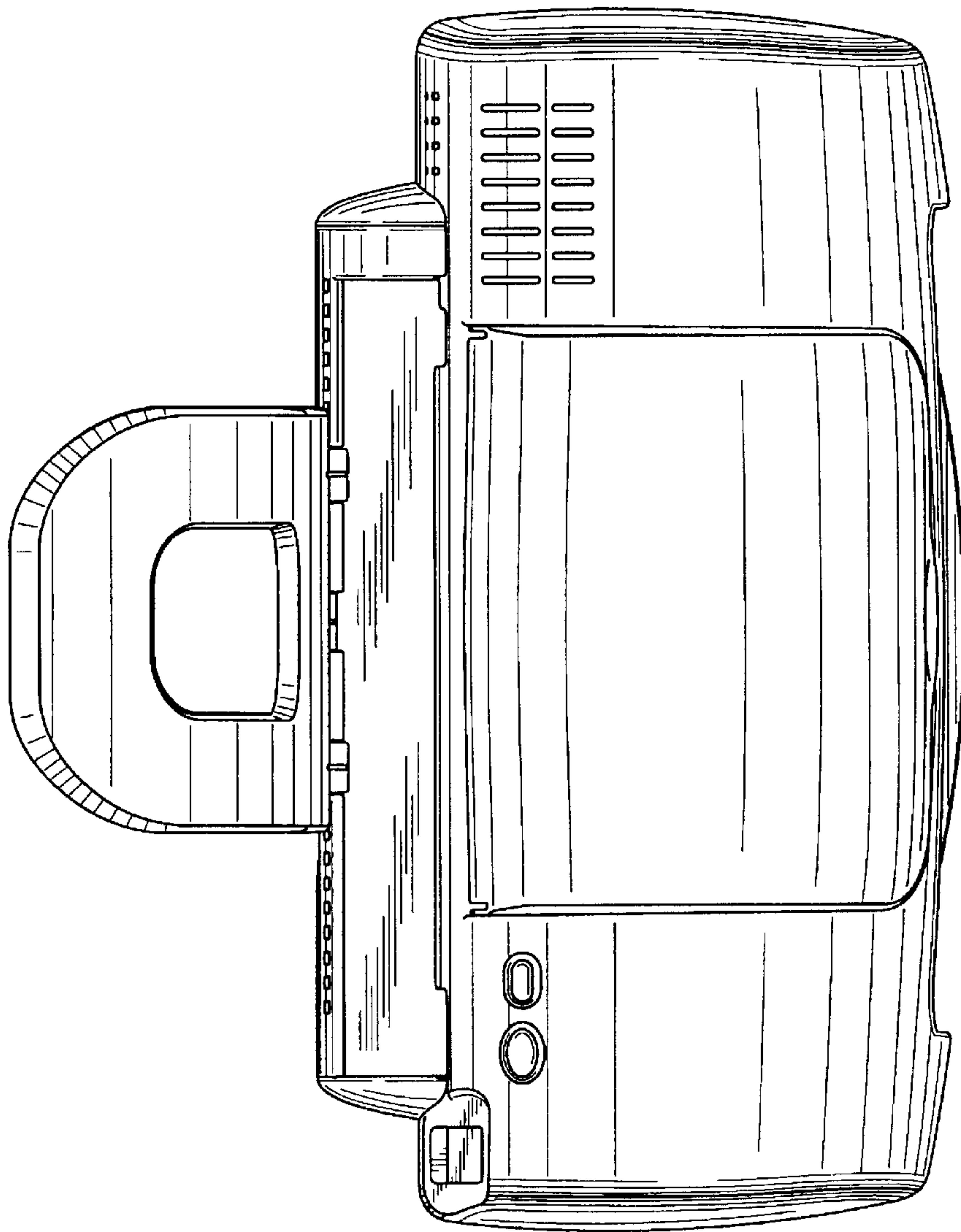


Fig. 6

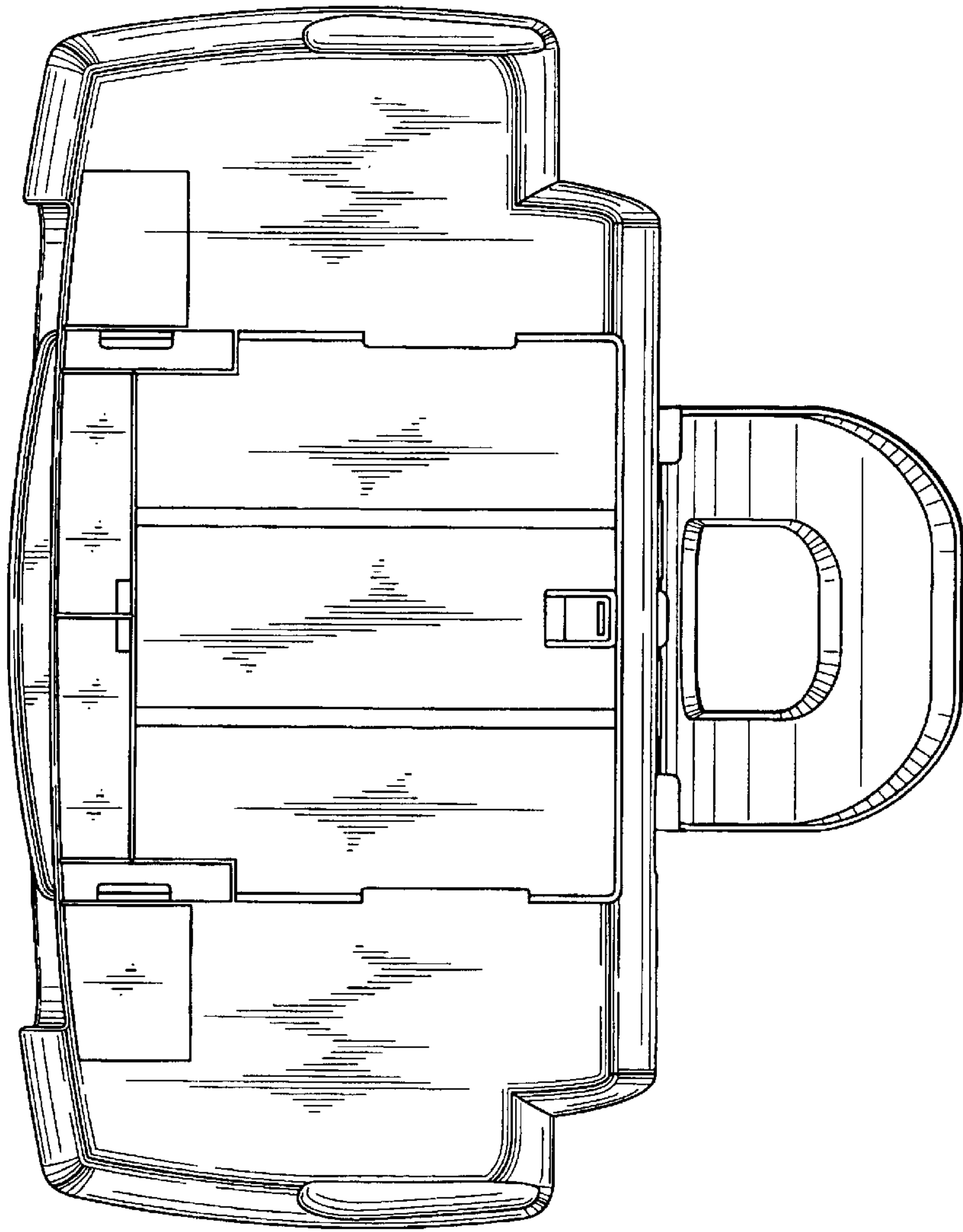


Fig. 7

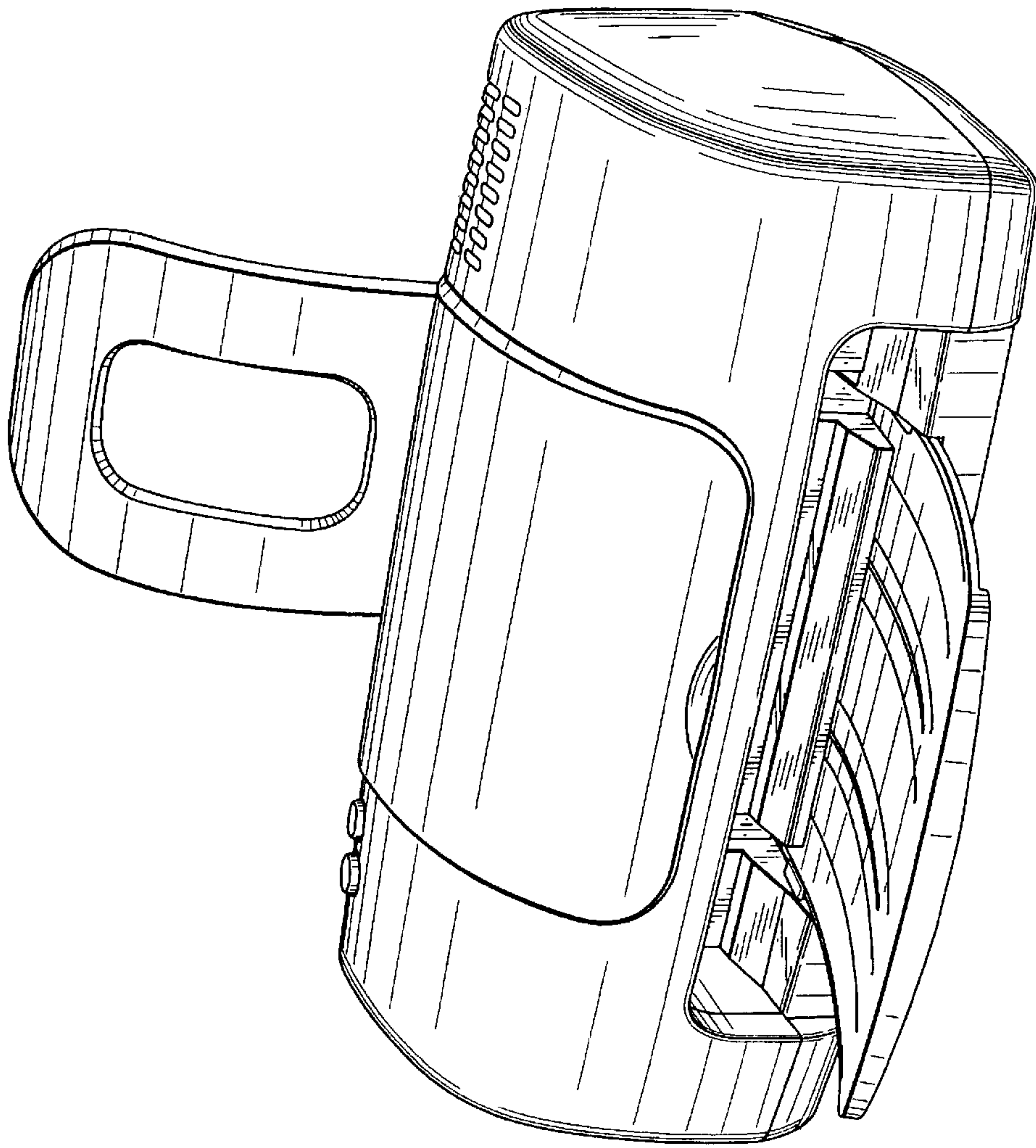


Fig. 8