



US00D480749S

(12) **United States Design Patent**  
**Milton et al.**

(10) **Patent No.: US D480,749 S**  
(45) **Date of Patent: \*\* Oct. 14, 2003**

(54) **LABEL PRINTER RIBBON SUPPLY CARTRIDGE**

(75) Inventors: **Scott C. Milton**, Maplewood, MN (US); **David J. Schouweiler, Jr.**, Minneapolis, MN (US)

(73) Assignee: **Brady Worldwide, Inc.**, Milwaukee, WI (US)

(\*\*) Term: **14 Years**

(21) Appl. No.: **29/155,214**

(22) Filed: **Feb. 6, 2002**

(51) **LOC (7) Cl. .... 19-02**

(52) **U.S. Cl. .... D18/18**

(58) **Field of Search .... D18/36-39, 19, D18/50, 52, 53-56, 18; 156/384; 101/93.4, 269; 400/613, 613.4, 691-694, 690.1-690.7**

(56) **References Cited**

**U.S. PATENT DOCUMENTS**

D250,061 S	*	10/1978	Sato	.....	D18/18
D250,062 S	*	10/1978	Sato	.....	D18/18
D327,495 S	*	6/1992	Nagai	.....	D18/56
D356,819 S	*	3/1995	Stempien	.....	D18/56
D361,592 S	*	8/1995	Niwano	.....	D18/56
D383,743 S	*	9/1997	Suwa et al.	.....	D18/56
D397,142 S	*	8/1998	Hammill et al.	.....	D18/56
D436,617 S		1/2001	Feitel et al.	.....	D18/55

**OTHER PUBLICATIONS**

Brochure—Brady® Make-It-Yourself Products, It's Important to use the Right Tool for the Right Job, Brady Worldwide, Inc., 1999.

Brochure—Brady® Graphic Solutions, GraphicsPro™ Label & Sign Creator Offers the Convenience of Custom Labels and Signs at the Touch of a Fingertip, W.H. Bray Co./Brady USA, Inc., 1997.

Brochure—Impressa 2 digital label & decal press, Print and Cut Your Own Full-Color Labels and Decals in any Size or Shape!, pp. 1-6, Primera Technology, Inc., 1998.

Brochure—ColorCamm PRO Versatility, Roland DGA Corporation, 2000.

Brochure—The Future of Sign Making is here, Gerber Edge, Gerber Scientific Products, Inc., 1994.

\* cited by examiner

*Primary Examiner*—Charles A. Rademaker

(74) *Attorney, Agent, or Firm*—Whyte Hirschboeck Dudek SC

(57) **CLAIM**

An ornamental design for a label printer ribbon supply cartridge, as shown and described.

**DESCRIPTION**

FIG. 1 is a front perspective view of a label printer ribbon supply cartridge showing our new design;

FIG. 2 is a front view thereof;

FIG. 3 is a right side view thereof;

FIG. 4 is a top view thereof;

FIG. 5 is a left side view thereof;

FIG. 6 is a rear view thereof; and,

FIG. 7 is a bottom view thereof.

The broken lines shown in all figures are for illustrative environmental purposes only and form no part of the claimed design. The broken lines which define the bounds of the claimed design form no part thereof.

**1 Claim, 3 Drawing Sheets**

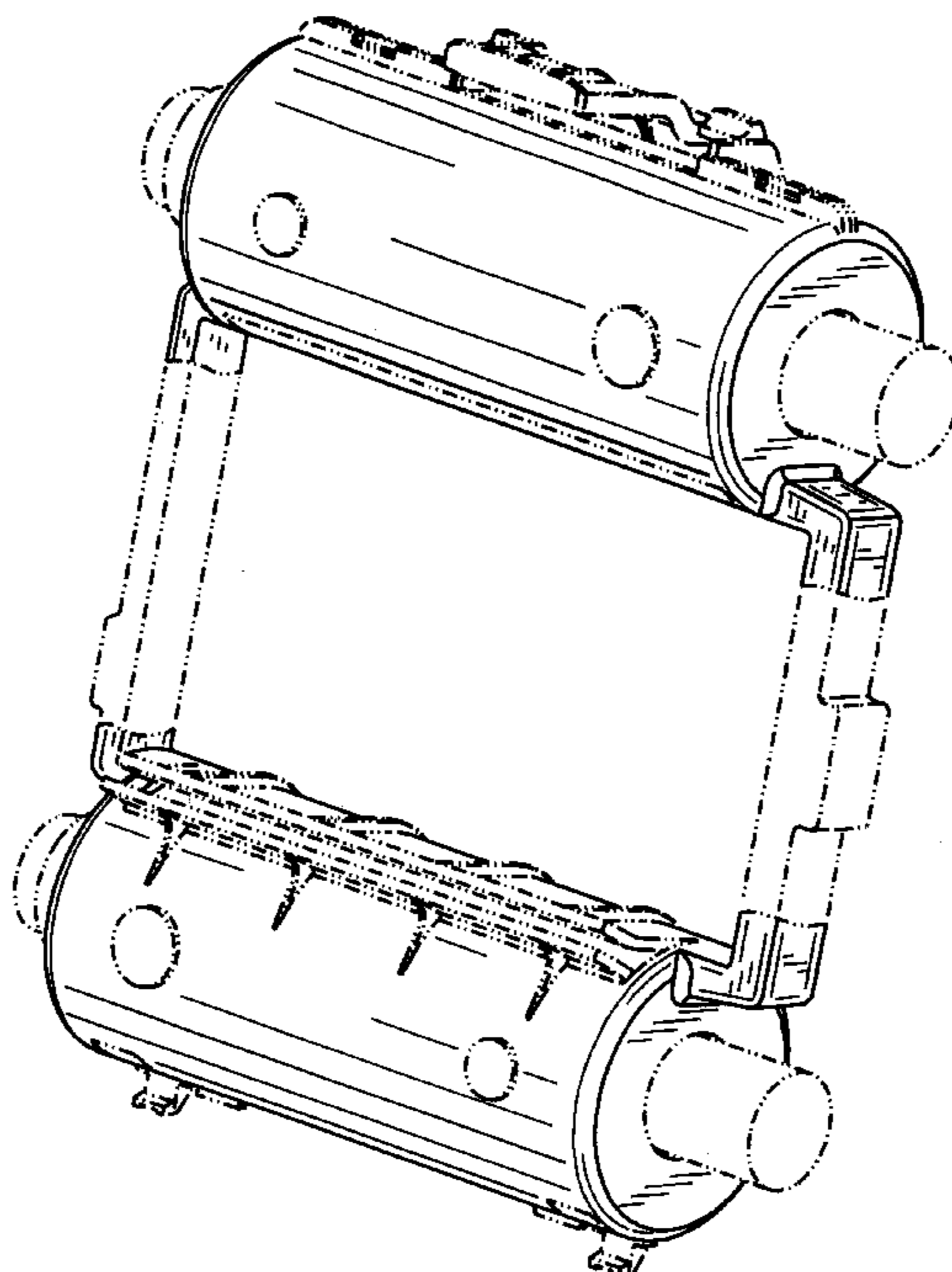


FIG. 1

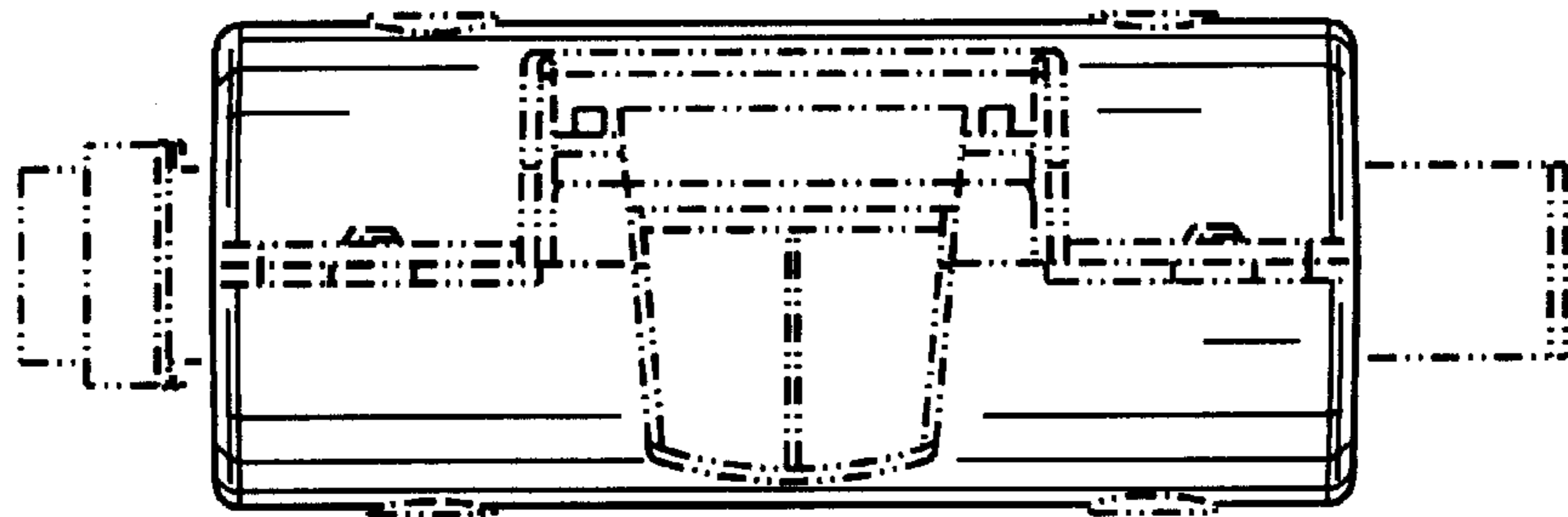
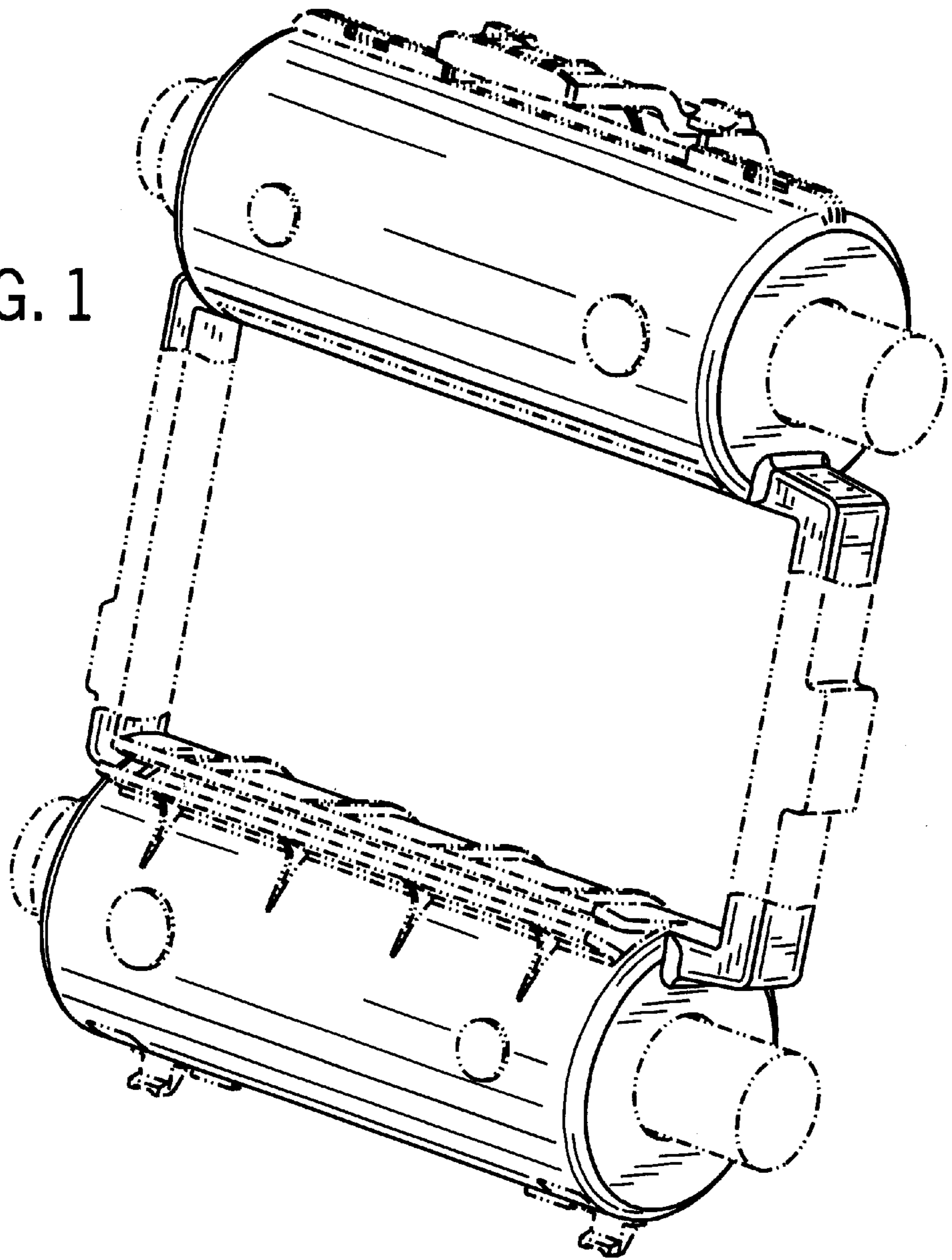


FIG. 2

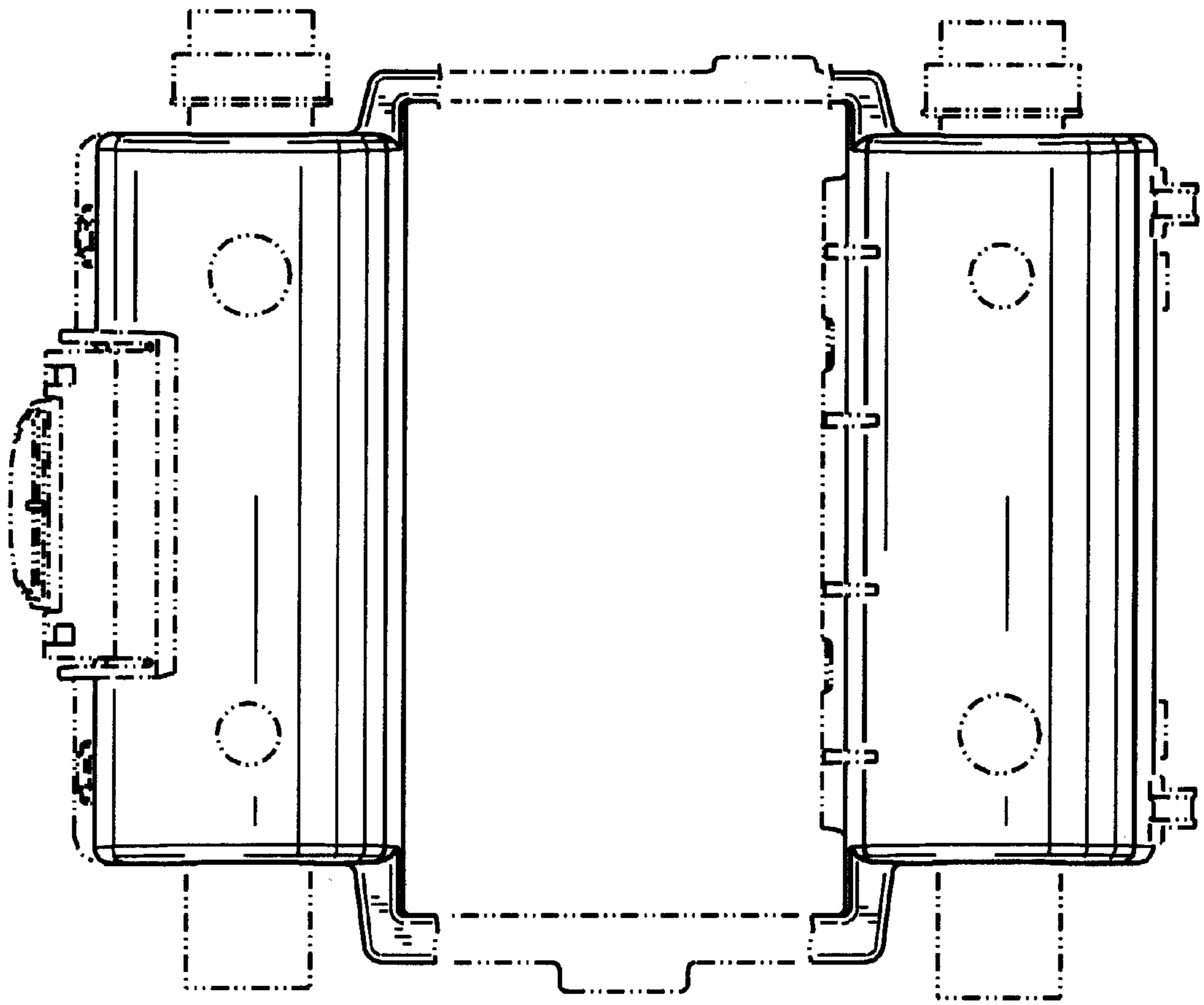


FIG. 4

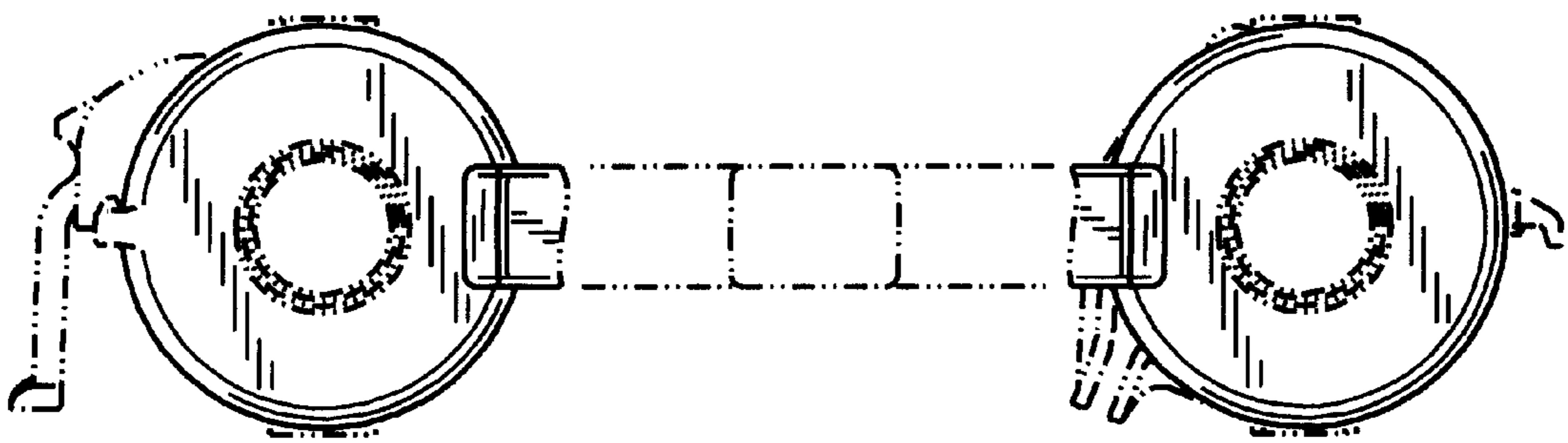


FIG. 3

FIG. 6

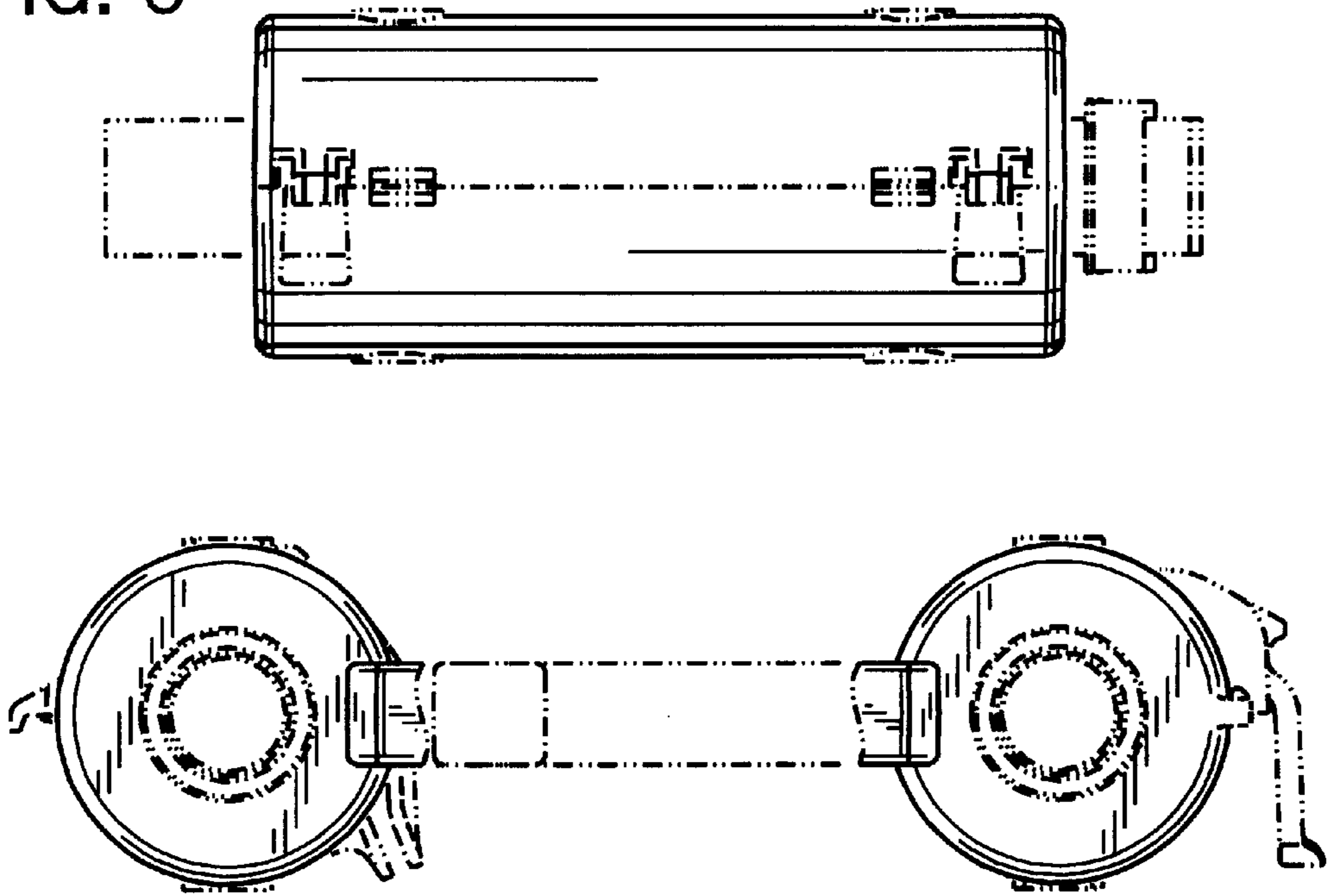


FIG. 5

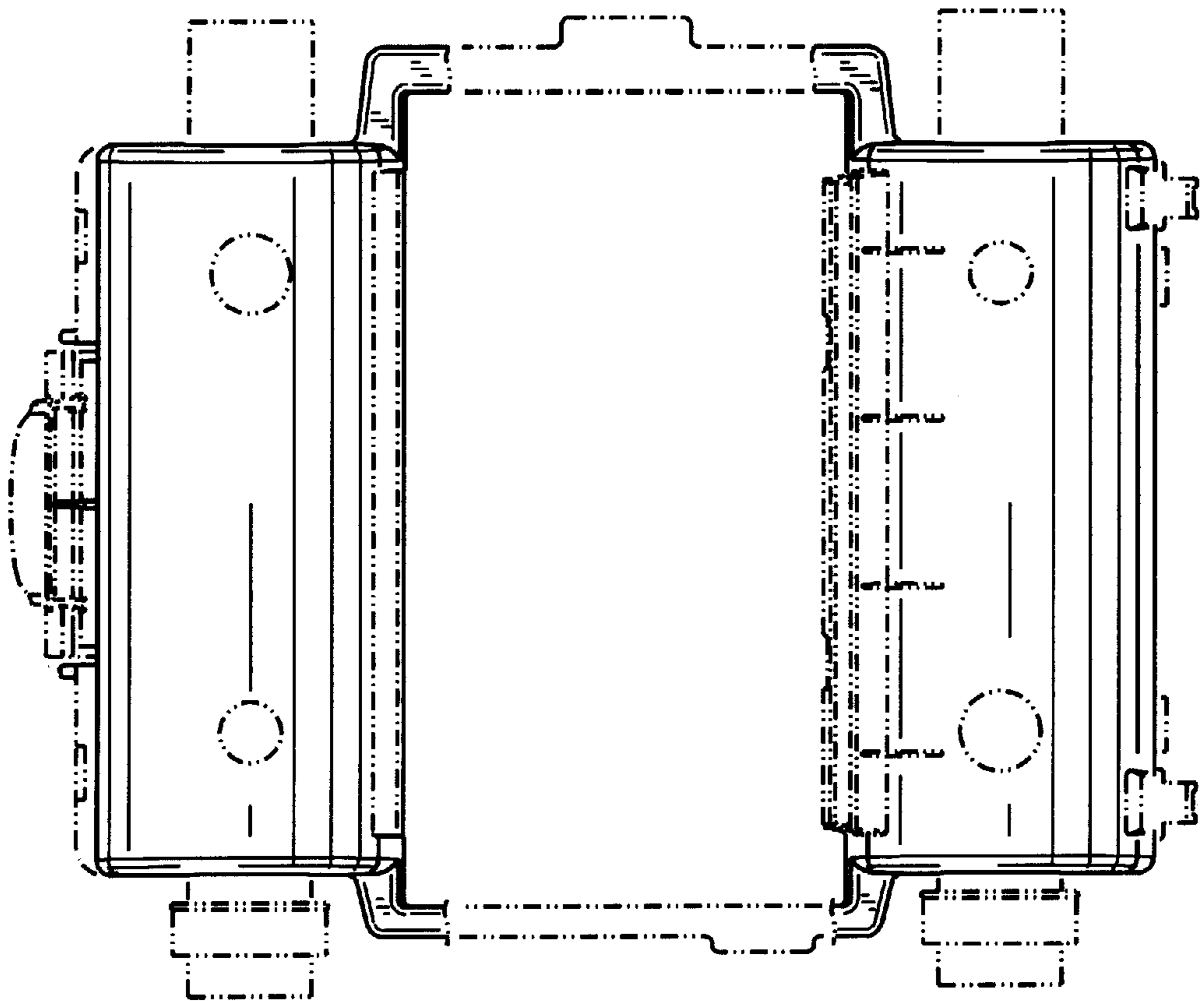


FIG. 7

