



US00D480745S

(12) **United States Design Patent**  
**Aguilar et al.**

(10) **Patent No.:** **US D480,745 S**  
(45) **Date of Patent:** **\*\* Oct. 14, 2003**

(54) **LIGHT BOX WITH POSITIONING  
TEMPLATE AND PORTIONS THEREOF**

5,227,820 A \* 7/1993 Miyashita et al. .... 353/122  
D390,861 S \* 2/1998 Liao ..... D16/225  
D425,538 S \* 5/2000 Akaike ..... D16/225  
D425,925 S \* 5/2000 Akaike ..... D16/225

(75) Inventors: **Tony Aguilar**, Hermosa Beach, CA  
(US); **Modest Khovaylo**, Fort Collins,  
CO (US); **Jacklyn M Dowdy**, Ft  
Collins, CO (US); **Tang Peng Seng**,  
Skudai Johor (MY); **Michael Toh**  
**Chong Nam**, Johor Bahru Johor (MY);  
**Philipp Refior**, Brooklyn, NY (US)

\* cited by examiner

*Primary Examiner*—Adir Aronovich

(73) Assignee: **Hewlett-Packard Development  
Company, L.P.**, Houston, TX (US)

(57) **CLAIM**

The ornamental design for a light box with positioning  
template and portions thereof, as shown and described.

(\*\*) Term: **14 Years**

**DESCRIPTION**

(21) Appl. No.: **29/155,154**

FIG. 1 is a top plan view of a light box with positioning  
template and portions thereof showing our new design;  
FIG. 2 is a bottom plan view thereof;  
FIG. 3 is a left side elevation view thereof;  
FIG. 4 is a right side elevation view thereof;  
FIG. 5 is a rear elevation view thereof;  
FIG. 6 is a front elevation view thereof;  
FIG. 7 is a first perspective view thereof; and,  
FIG. 8 is a second perspective view thereof.  
The portions of the article in broken lines are shown for  
illustrative purposes only and form no part of the claimed  
design.

(22) Filed: **Feb. 1, 2002**

(51) **LOC (7) Cl.** ..... **16-02**

(52) **U.S. Cl.** ..... **D16/225**

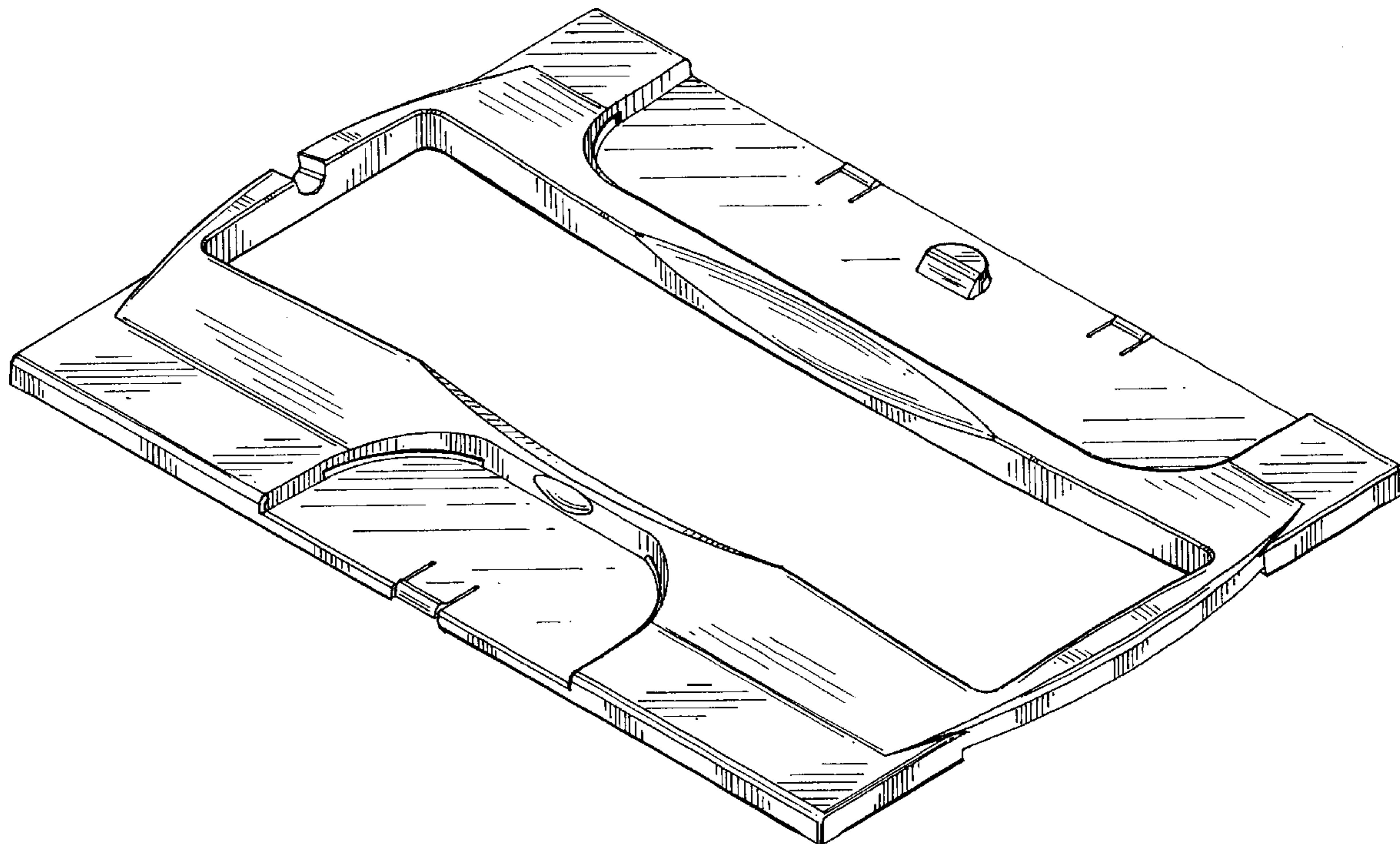
(58) **Field of Search** ..... D16/221, 225,  
D16/235; 40/361-367, 574, 575; 353/120,  
122, DIG. 2

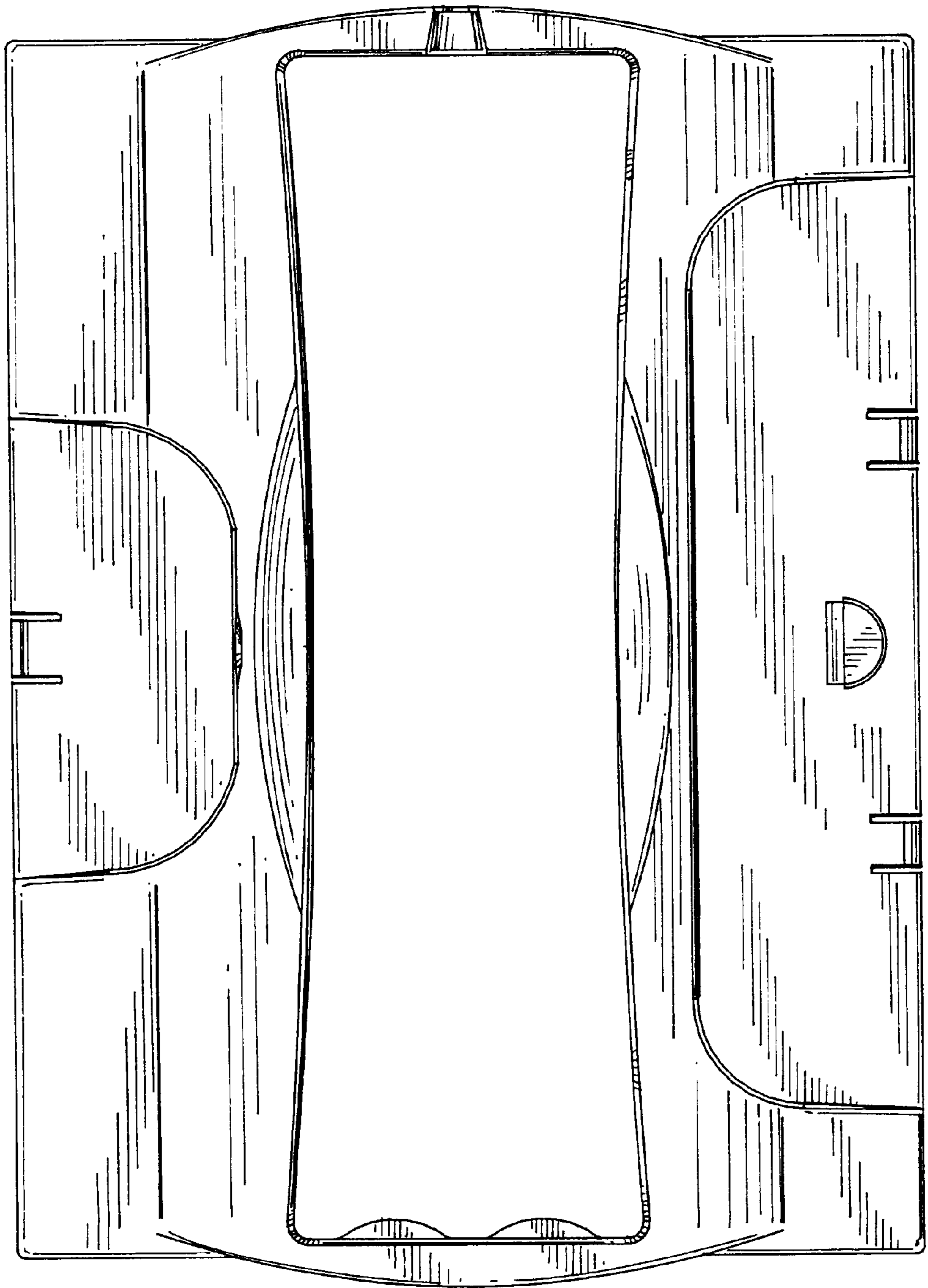
(56) **References Cited**

**U.S. PATENT DOCUMENTS**

3,629,965 A \* 12/1971 Heindl, Jr. .... 40/367

**1 Claim, 5 Drawing Sheets**





*FIG. 1*

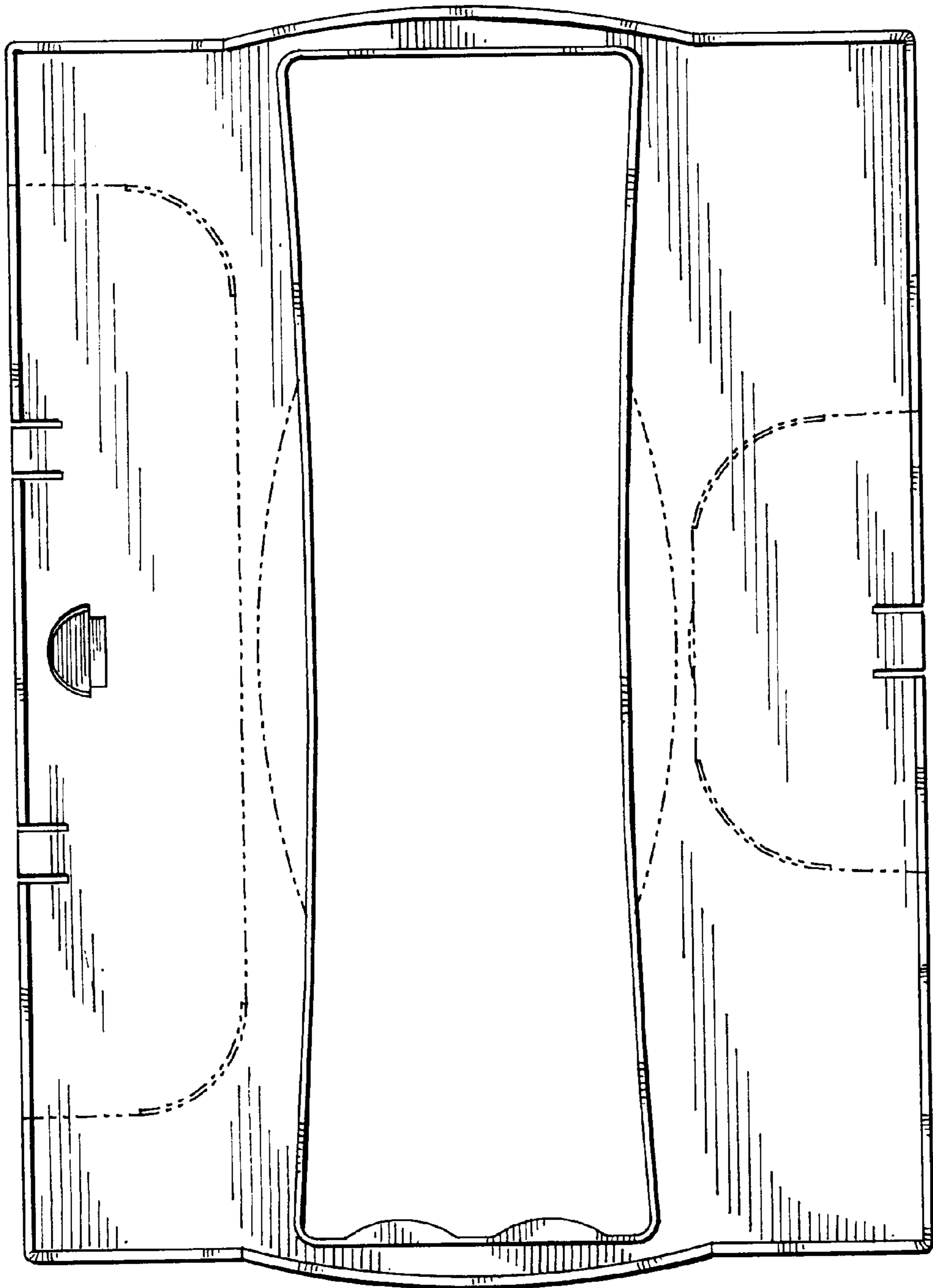


FIG. 2

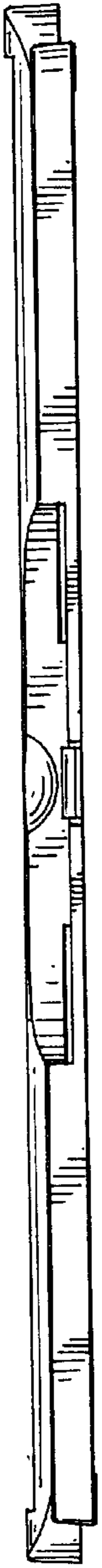


FIG. 3

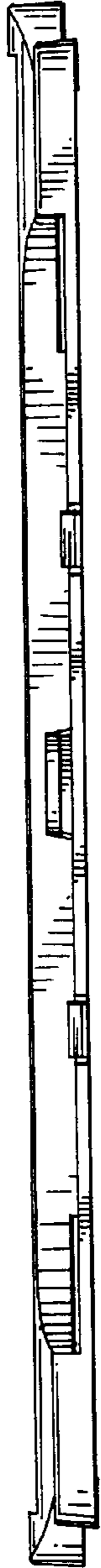


FIG. 4



FIG. 5



FIG. 6

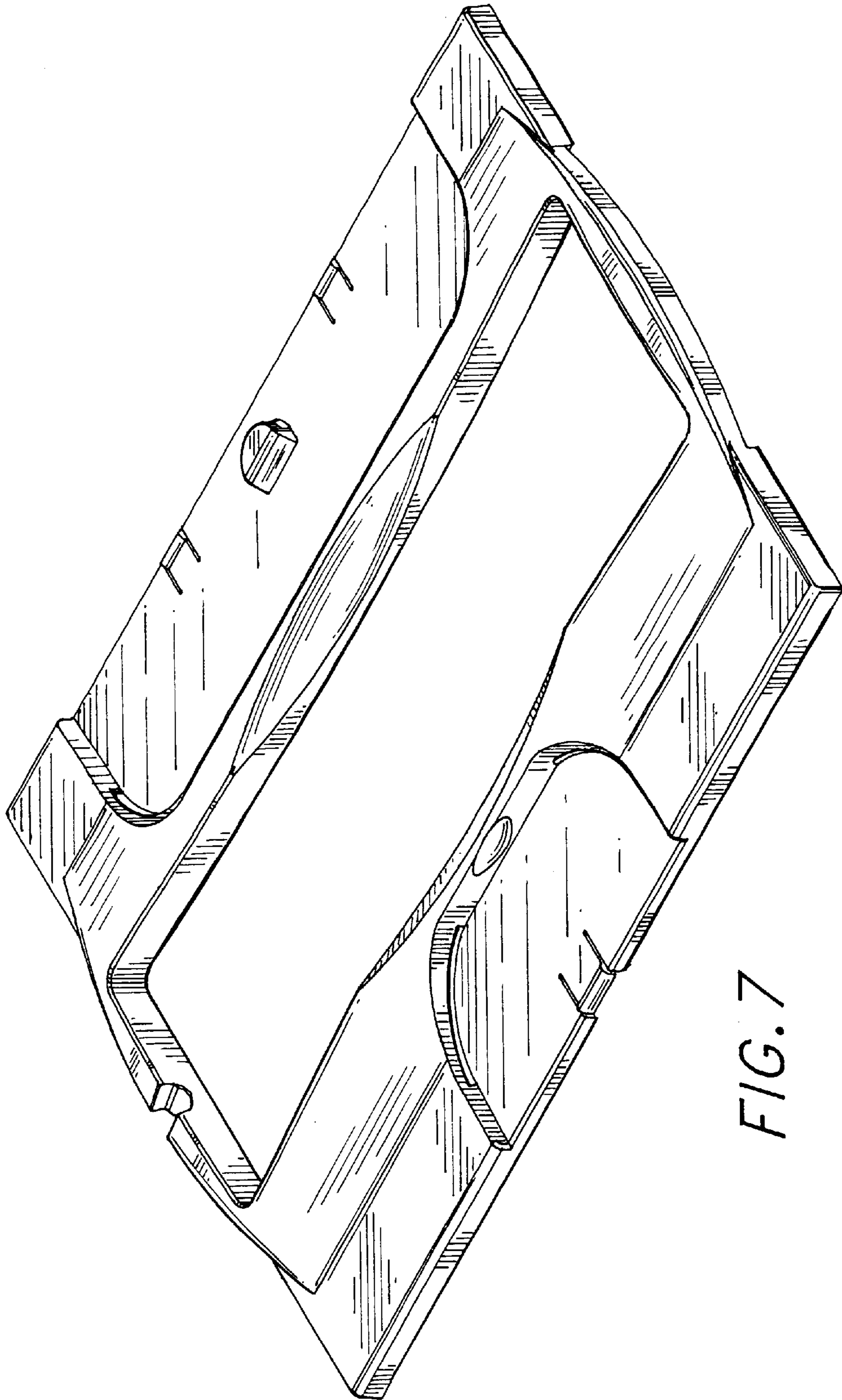


FIG. 7

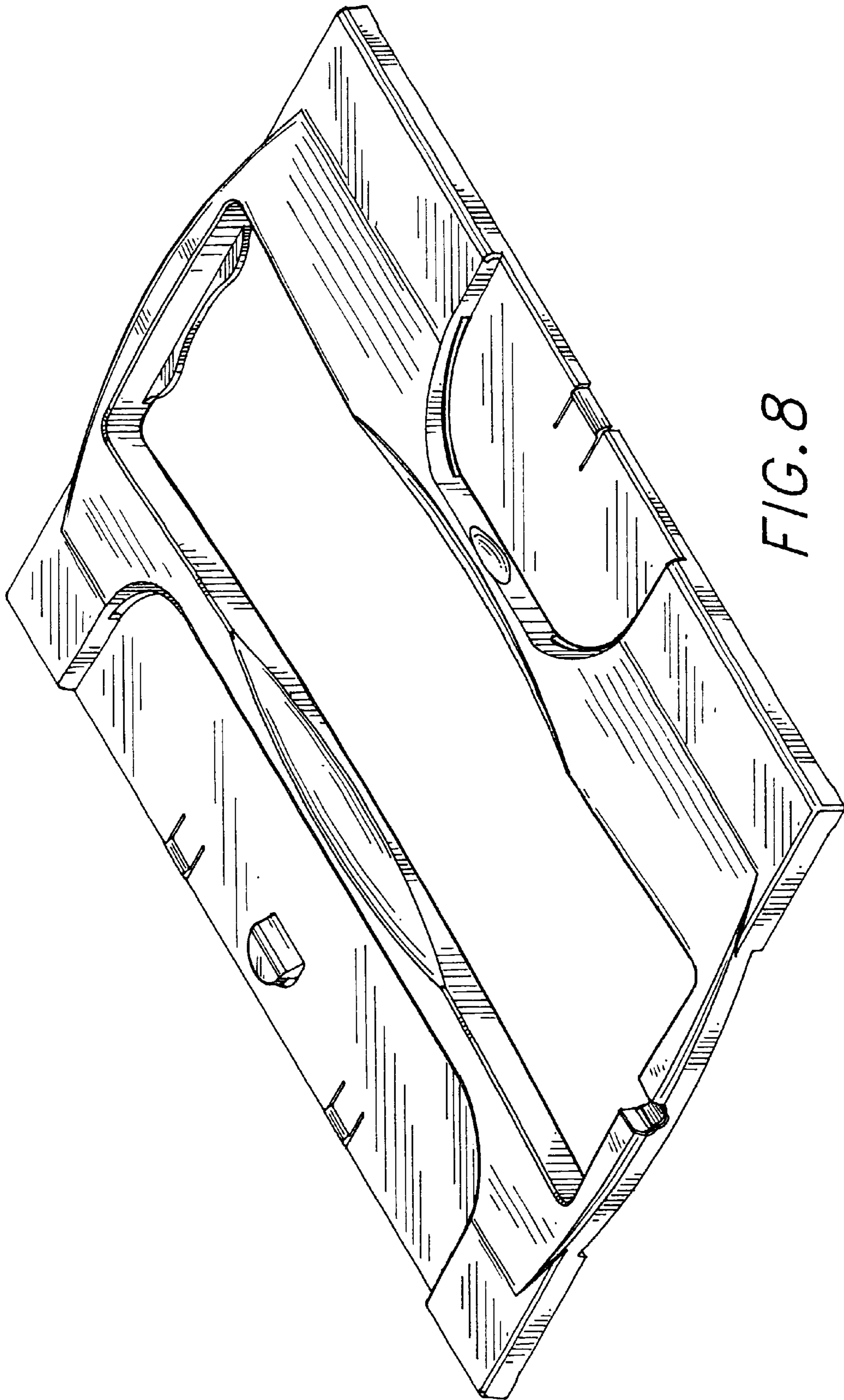


FIG. 8