



US00D480743S

(12) **United States Design Patent**
Matsumura et al.

(10) **Patent No.:** **US D480,743 S**

(45) **Date of Patent:** **** Oct. 14, 2003**

(54) **SINGLE-LENS REFLEX CAMERA**

(75) Inventors: **Yoshiyuki Matsumura**, Yokosuka (JP);
Hiroshi Sano, Yokohama (JP);
Kenosuke Chujo, Tokyo (JP); **Hitoshi Takaono**, Tokyo (JP)

D363,301 S * 10/1995 **Giugiaro et al.** D16/217
D411,218 S * 6/1999 **Kumakura et al.** D16/217
D418,530 S * 1/2000 **Tanaka et al.** D16/217
D439,922 S * 4/2001 **Kumakura** D16/217
D446,235 S * 8/2001 **Morishita et al.** D16/217
D451,940 S * 12/2001 **Haga** D16/217

(73) Assignee: **Canon Kabushiki Kaisha**, Tokyo (JP)

* cited by examiner

(**) Term: **14 Years**

Primary Examiner—Adir Aronovich

(21) Appl. No.: **29/170,203**

(74) *Attorney, Agent, or Firm*—Fitzpatrick, Cella, Harper & Scinto

(22) Filed: **Nov. 4, 2002**

(30) **Foreign Application Priority Data**

May 7, 2002 (JP) 2002-011913

(51) **LOC (7) Cl.** **16-01**

(52) **U.S. Cl.** **D16/217**

(58) **Field of Search** D16/200–205,
D16/208, 209, 216–218; 396/354–359,
175, 176, 535–541

(56) **References Cited**

U.S. PATENT DOCUMENTS

D316,720 S 5/1991 **Sano** D16/202
5,253,003 A * 10/1993 **Fujii et al.** 396/175

(57) **CLAIM**

The ornamental design for a single-lens reflex camera, as shown and described.

DESCRIPTION

FIG. 1 is a front view of a single-lens reflex camera showing our new design;
FIG. 2 is a rear view thereof;
FIG. 3 is a top plan view thereof;
FIG. 4 is a bottom plan view thereof;
FIG. 5 is a left side view thereof;
FIG. 6 is a right side view thereof; and,
FIG. 7 is a perspective view thereof.

1 Claim, 4 Drawing Sheets

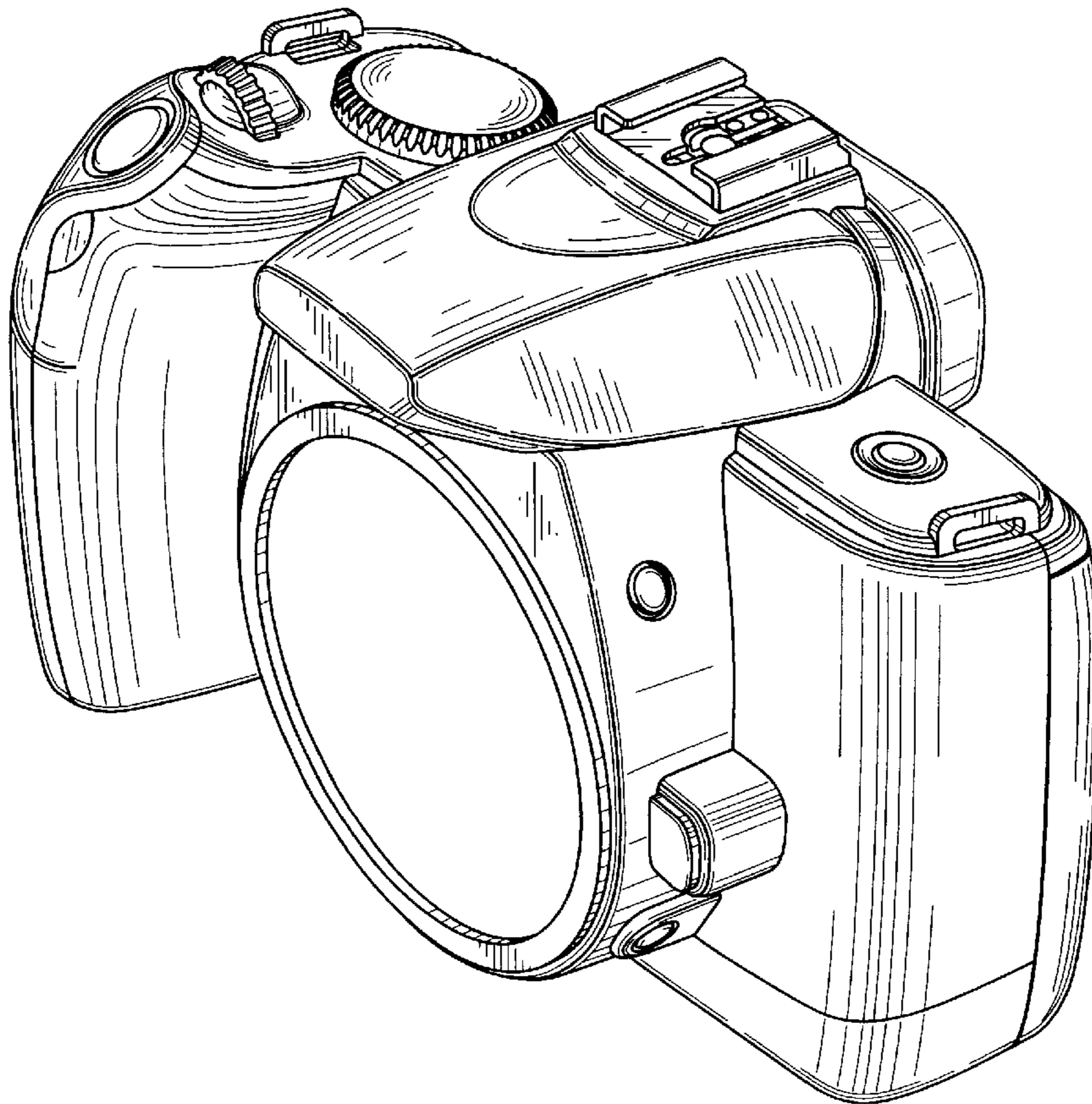


FIG. 1

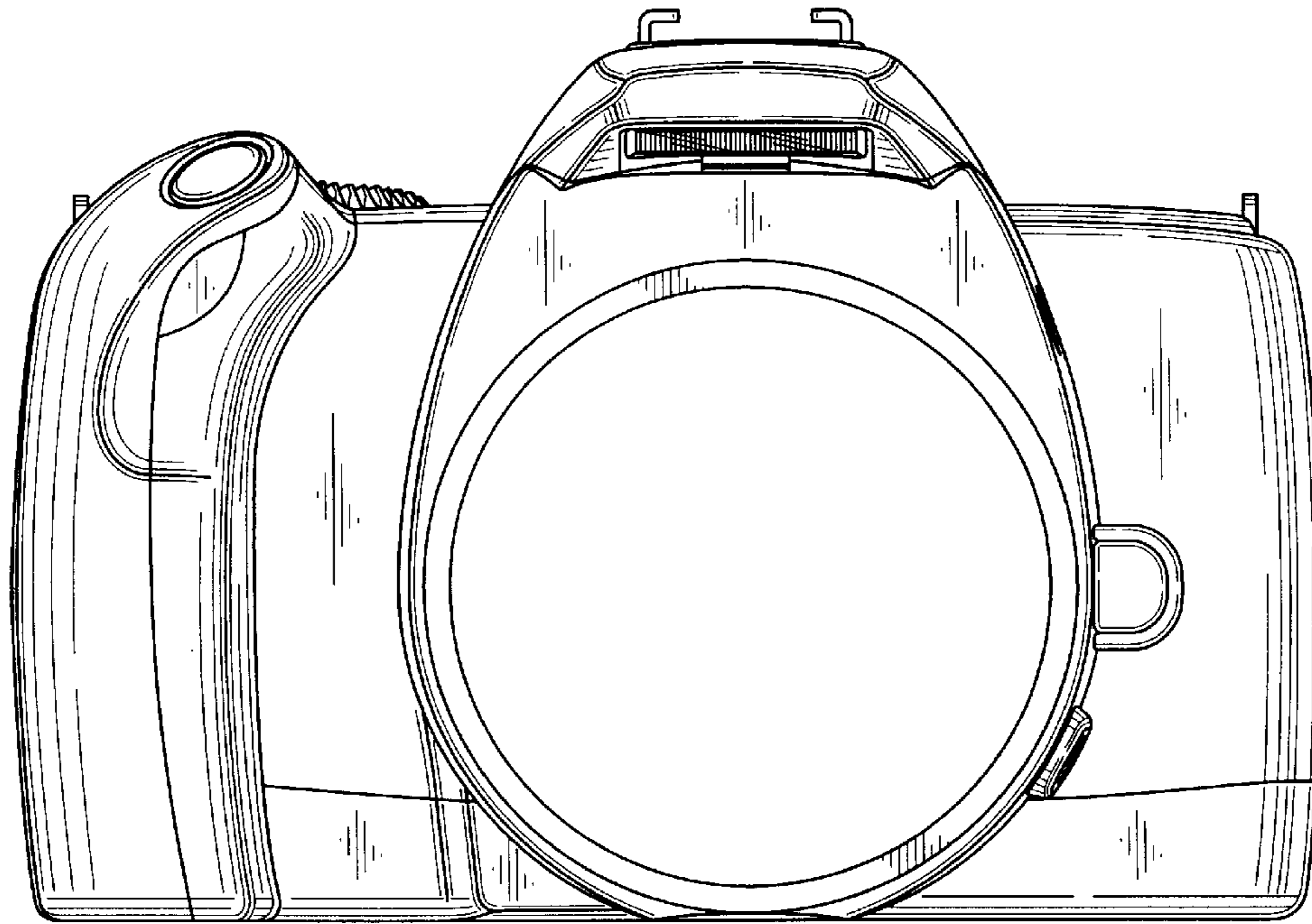


FIG. 2

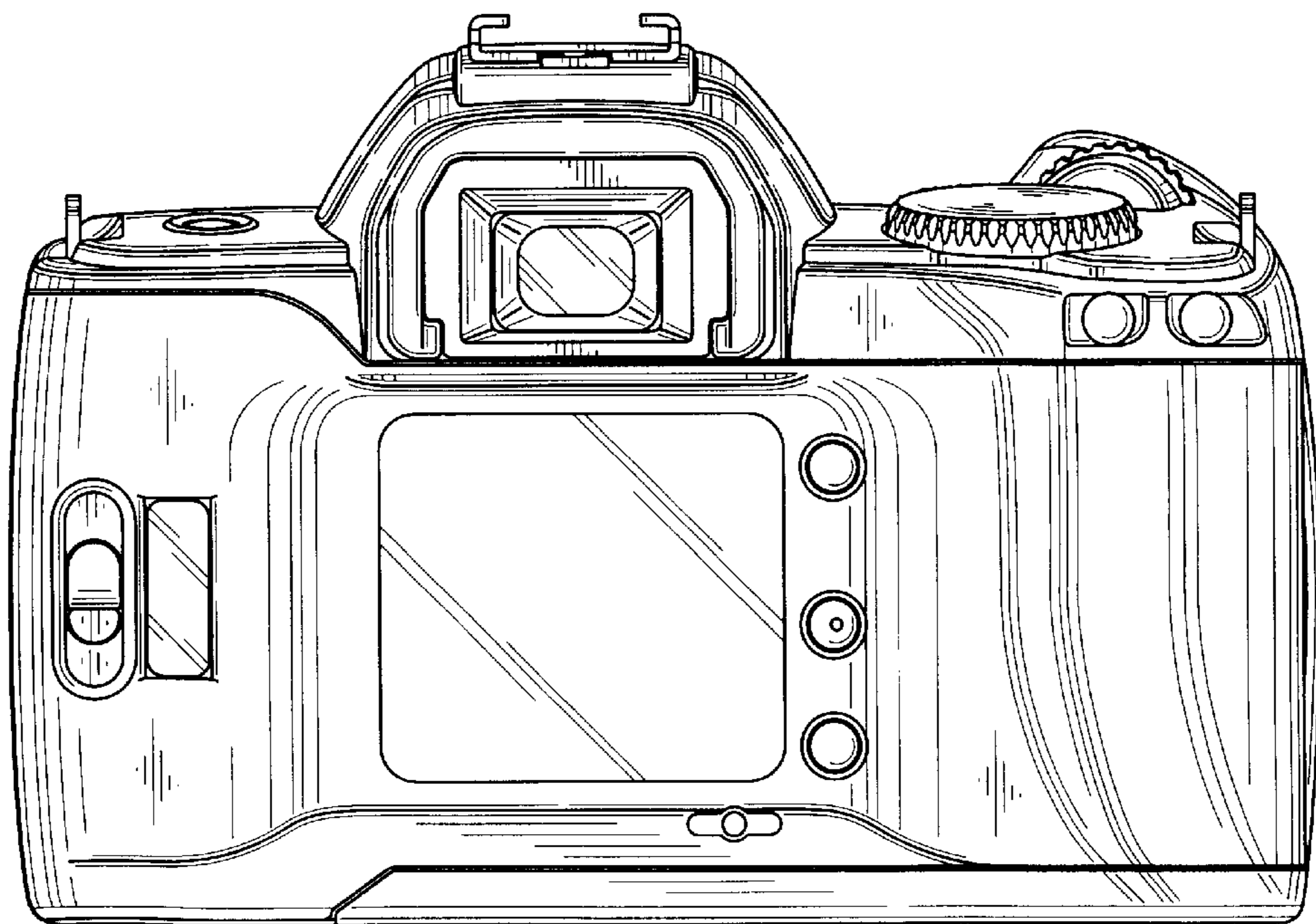


FIG. 3

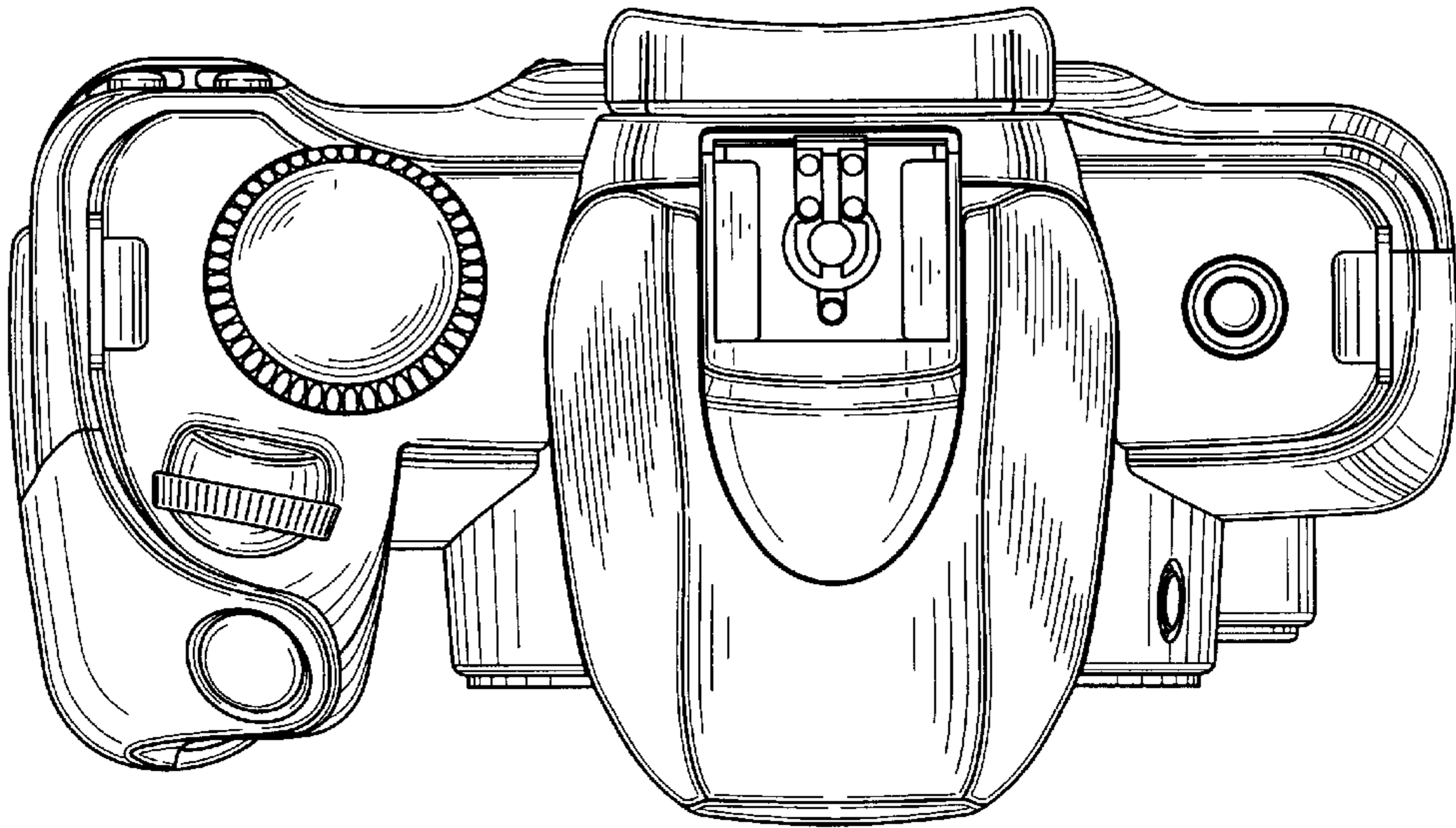


FIG. 4

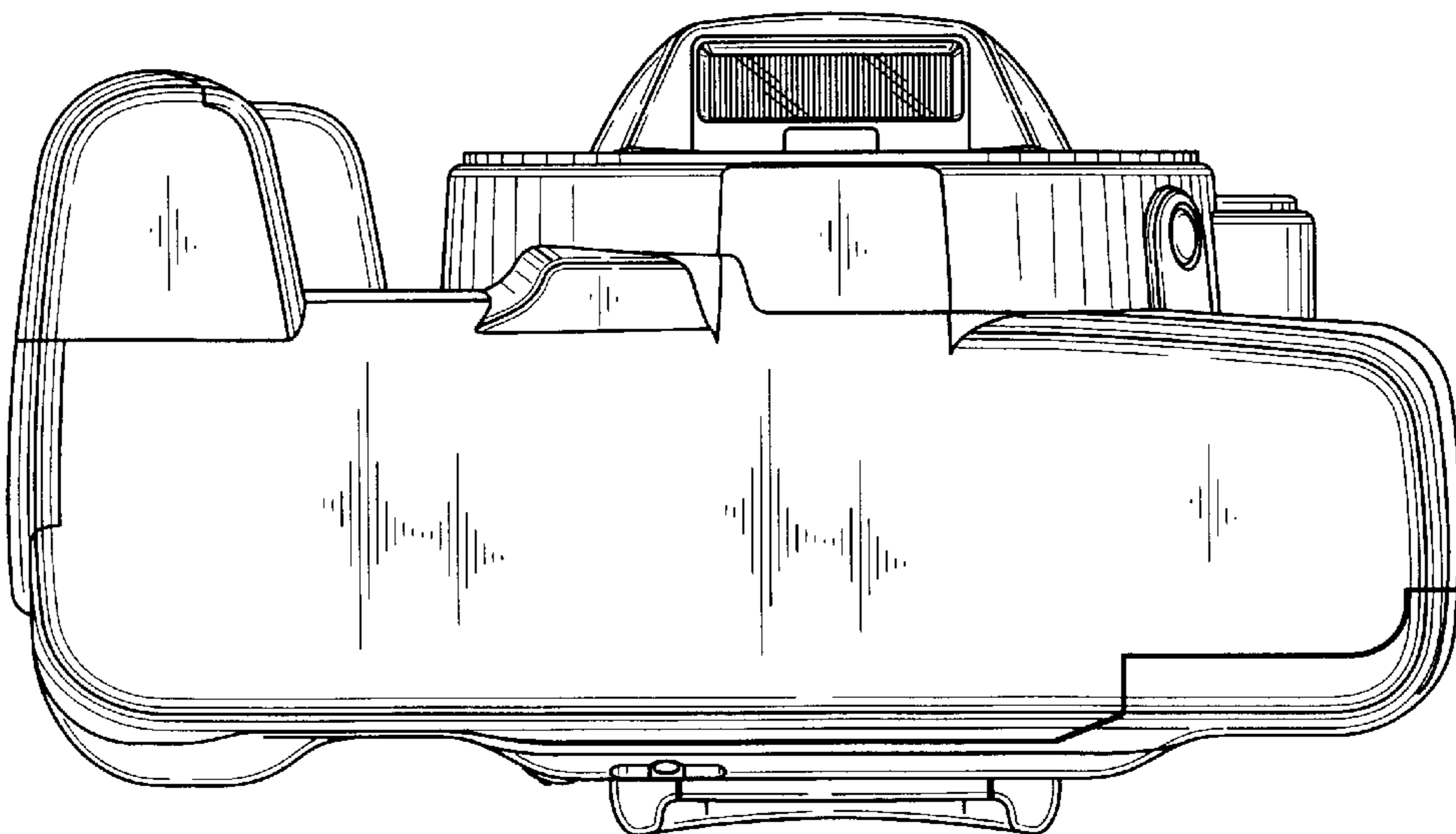


FIG. 5

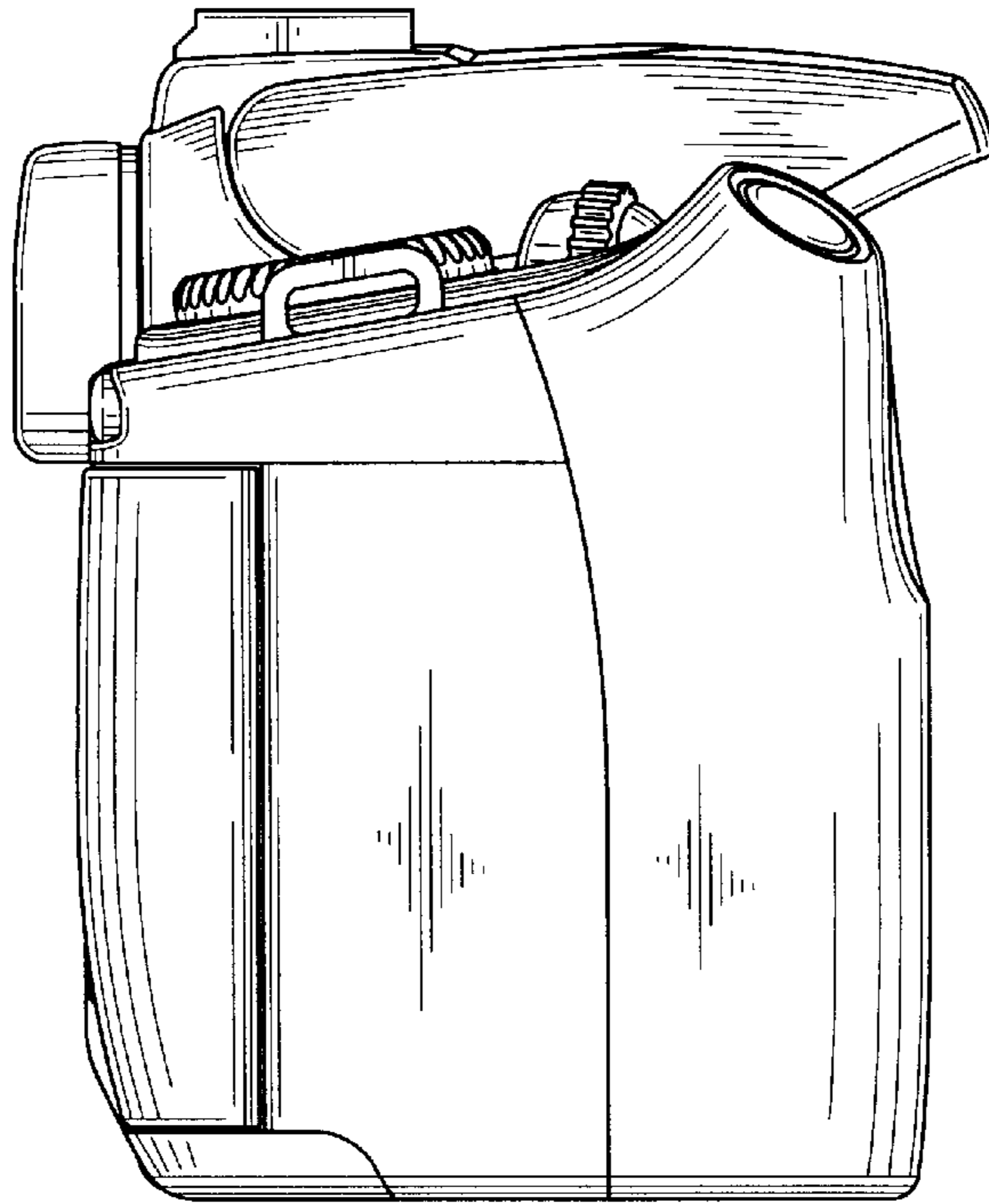


FIG. 6

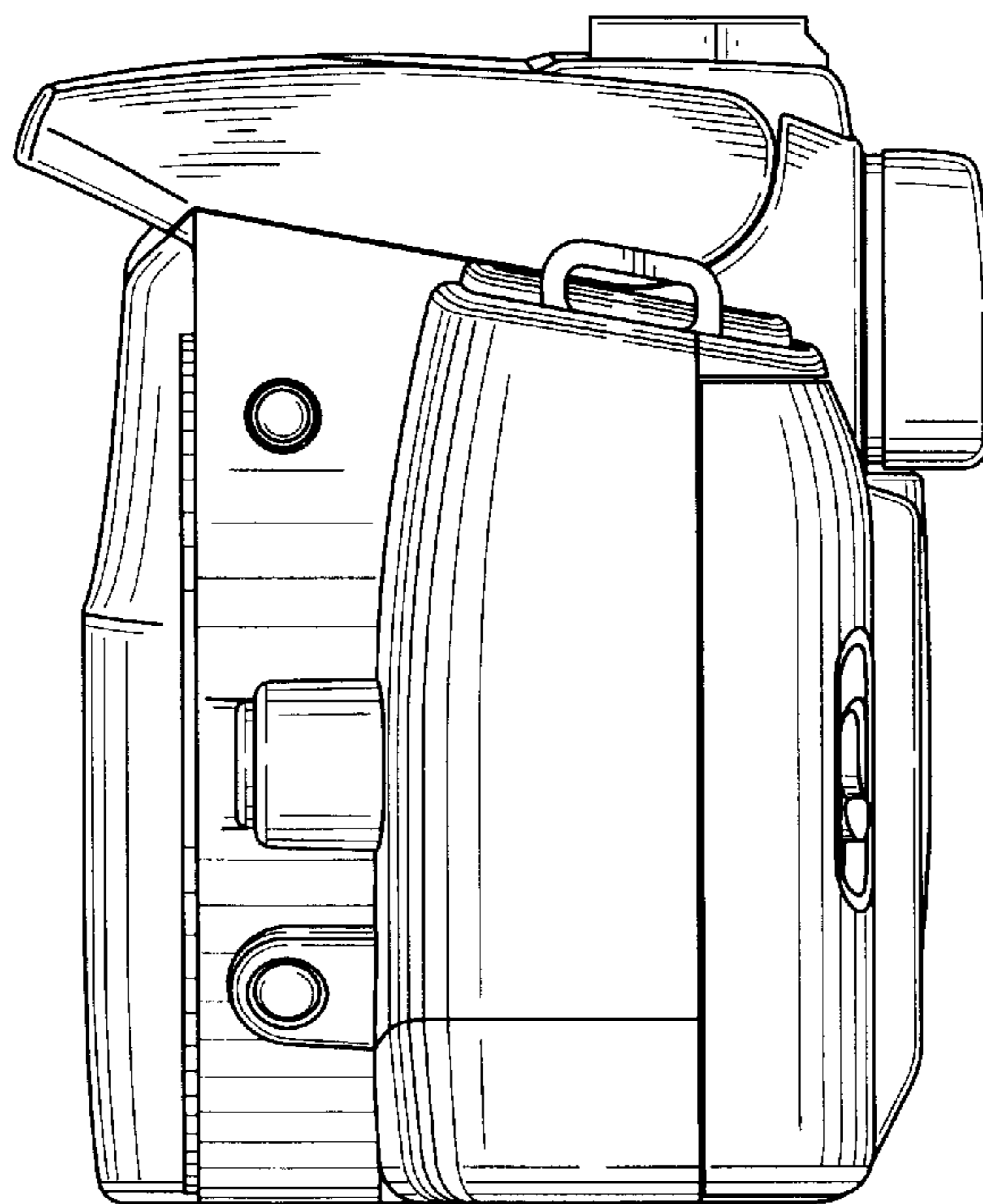


FIG. 7

