



US00D480742S

(12) **United States Design Patent**
Chin

(10) **Patent No.:** **US D480,742 S**

(45) **Date of Patent:** **** Oct. 14, 2003**

(54) **DIGITAL CAMERA**

(75) Inventor: **Byung-wook Chin**, Seoul (KR)

(73) Assignee: **Samsung Techwin Co., Ltd.** (KR)

(**) Term: **14 Years**

(21) Appl. No.: **29/167,772**

(22) Filed: **Sep. 23, 2002**

(30) **Foreign Application Priority Data**

Jun. 21, 2002 (KR) 2002-17853

(51) **LOC (7) Cl.** **16-01**

(52) **U.S. Cl.** **D16/202; D16/218**

(58) **Field of Search** **D16/200-206,**
D16/208, 209, 218; 348/373-376; 358/909.1;
396/535-541

(56) **References Cited**

U.S. PATENT DOCUMENTS

- D427,618 S * 7/2000 Row et al. D16/209
- D442,614 S * 5/2001 Sumita D16/202
- D445,440 S * 7/2001 Chen D16/202

- D450,073 S * 11/2001 Sumita D16/202
- D450,737 S 11/2001 Suzuki D16/202
- D451,115 S * 11/2001 Sumita D16/202
- D453,177 S * 1/2002 Uehara D16/204

* cited by examiner

Primary Examiner—Adir Aronovich

(74) *Attorney, Agent, or Firm*—Finnegan, Henderson, Farabow, Garrett & Dunner, LLP

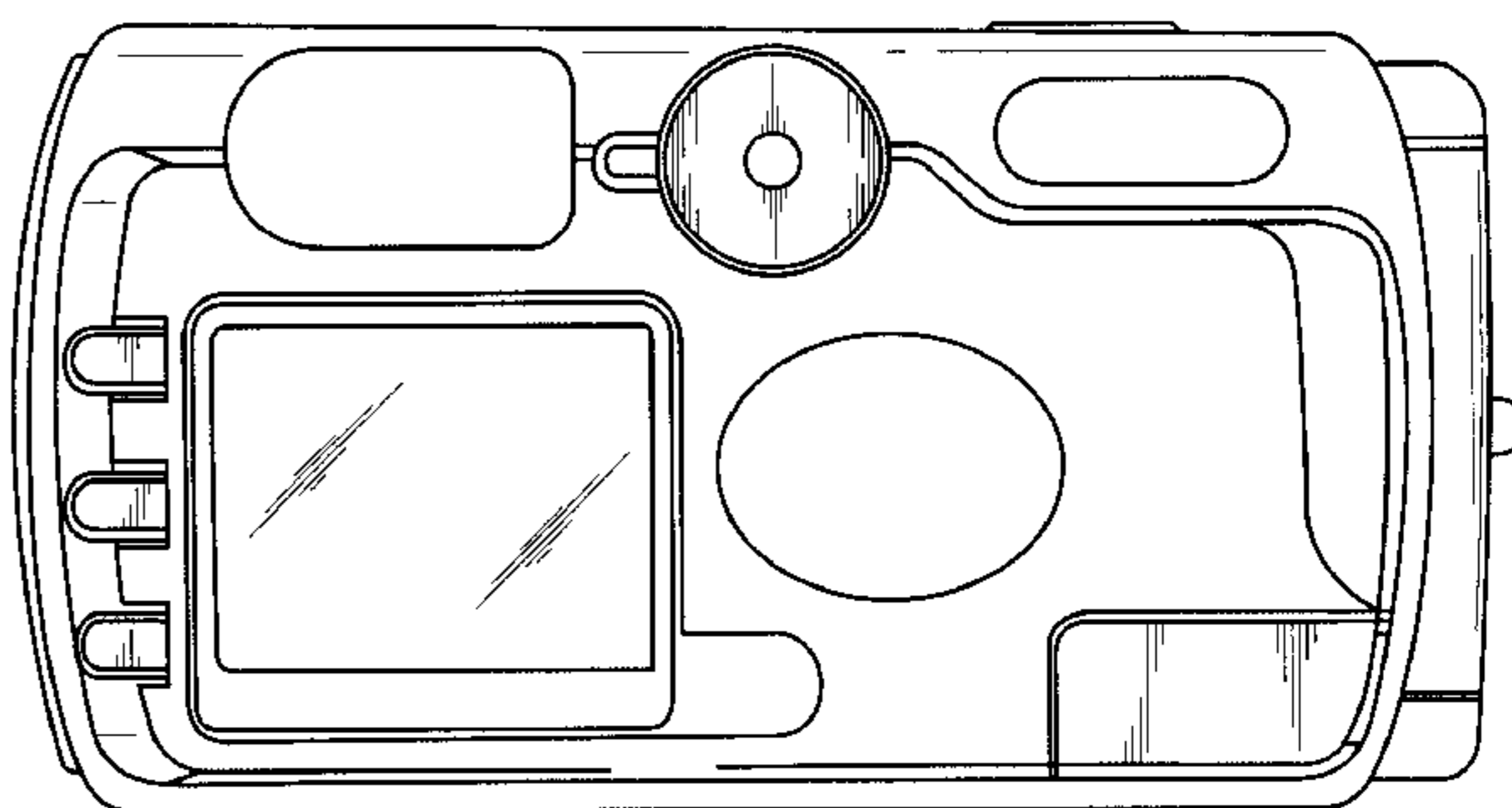
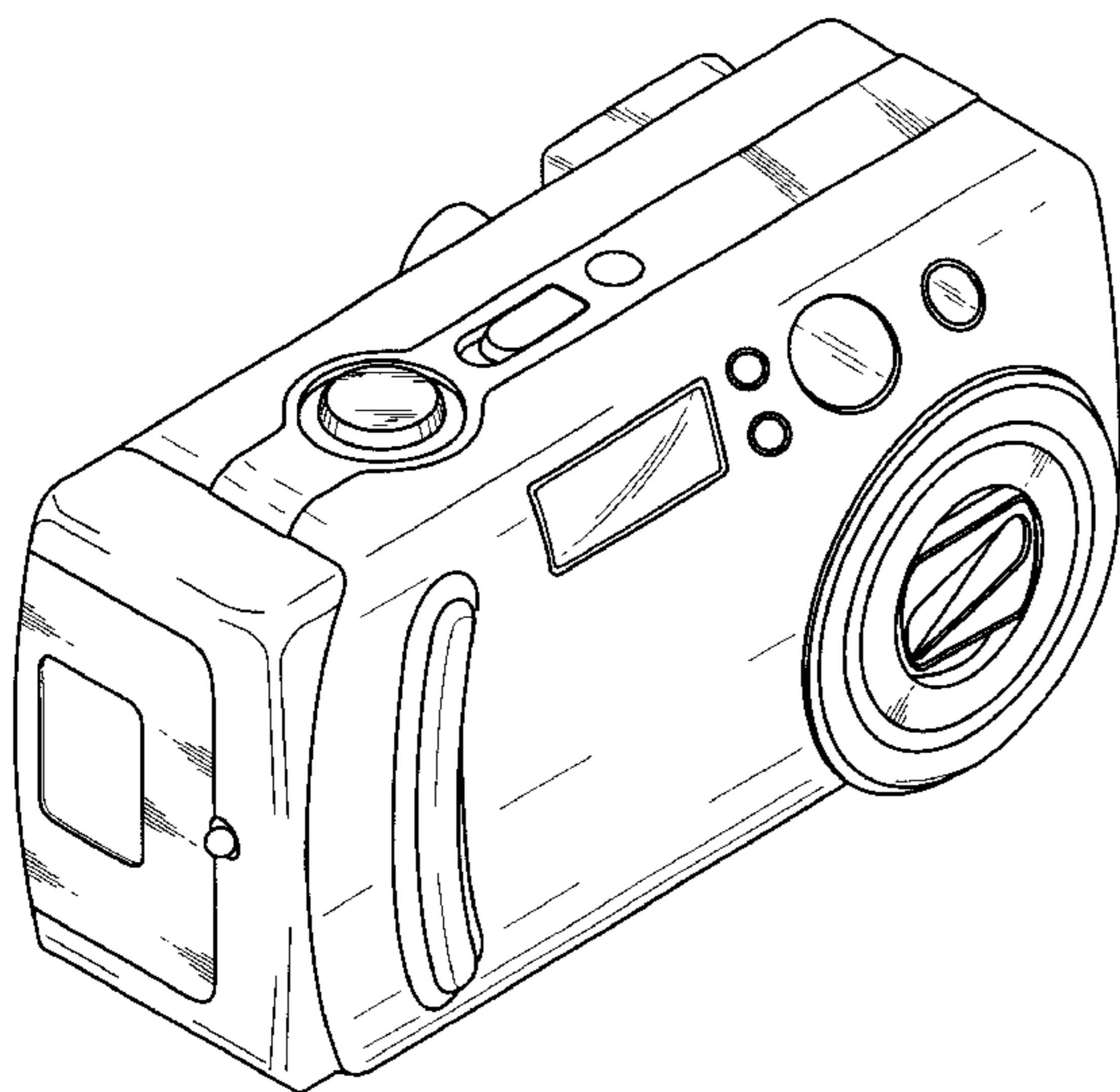
(57) **CLAIM**

The ornamental design for a digital camera, as shown and described.

DESCRIPTION

FIG. 1 is a perspective view of a digital camera of my design;
FIG. 2 is a front view of the digital camera of FIG. 1;
FIG. 3 is a back view of the digital camera of FIG. 1;
FIG. 4 is a left side view of the digital camera of FIG. 1;
FIG. 5 is a right side view of the digital camera of FIG. 1;
FIG. 6 is a top view of the digital camera of FIG. 1; and,
FIG. 7 is a bottom view of the digital camera of FIG. 1.

1 Claim, 4 Drawing Sheets



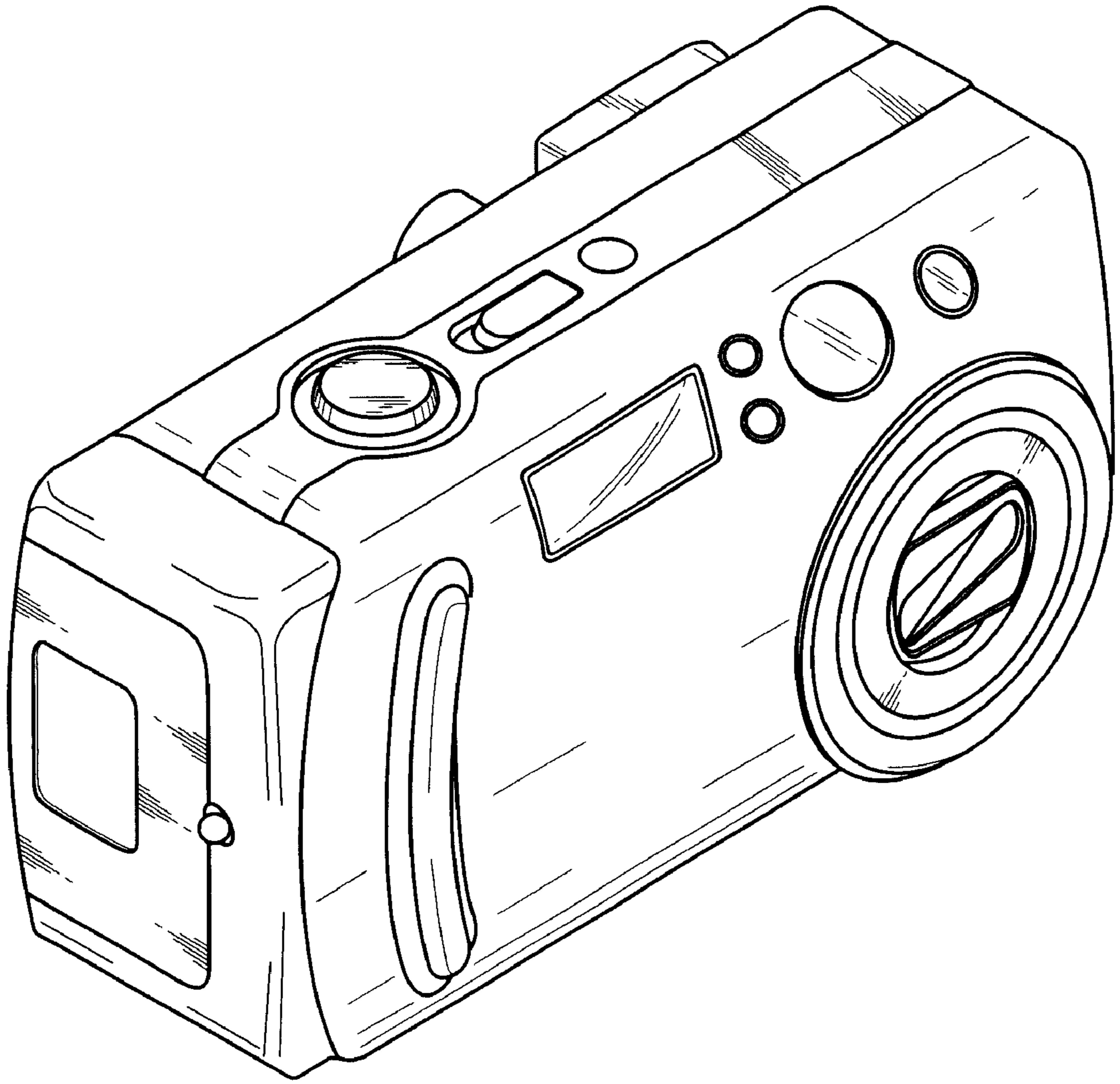


FIG. 1

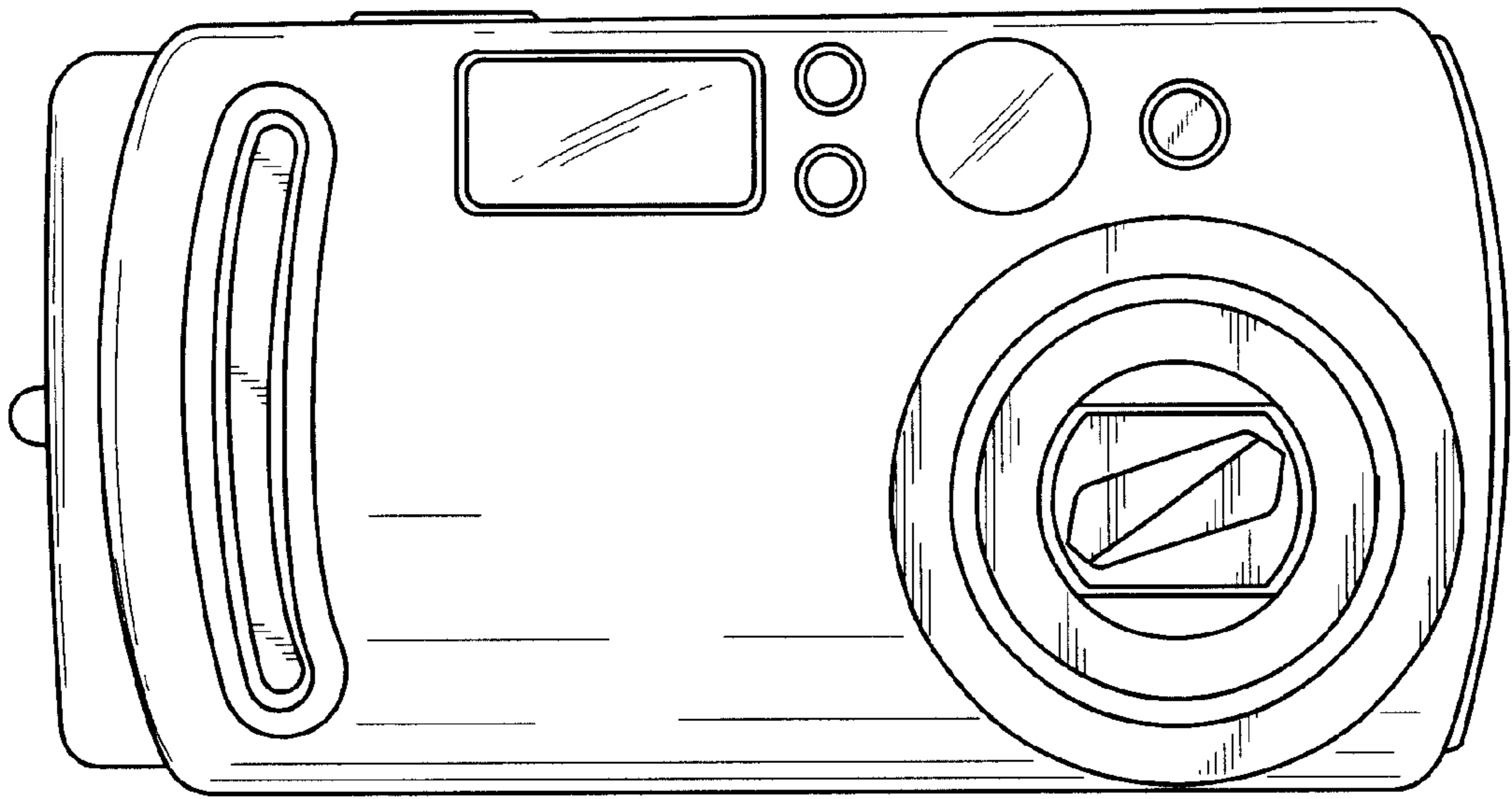


FIG. 2

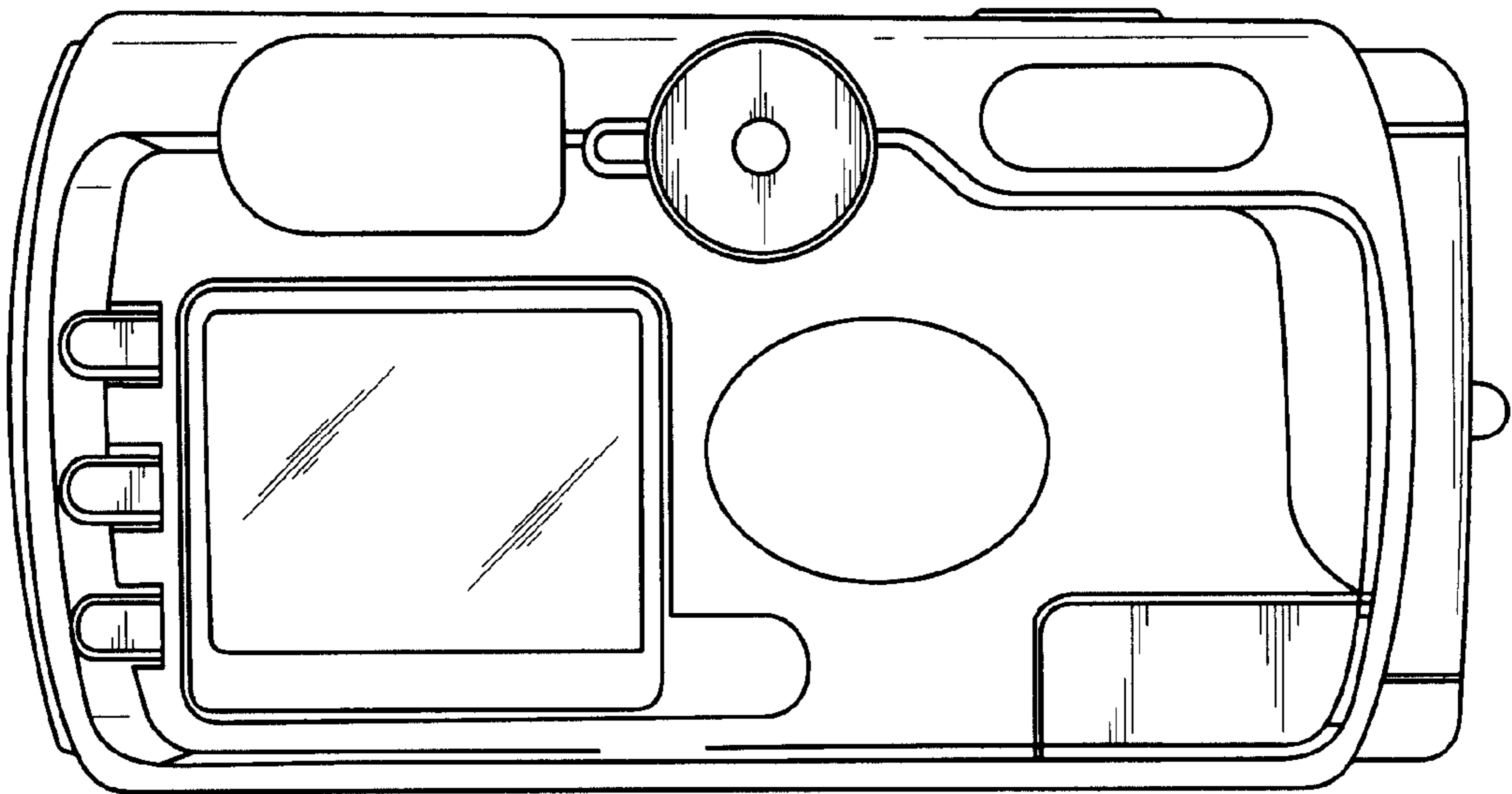


FIG. 3

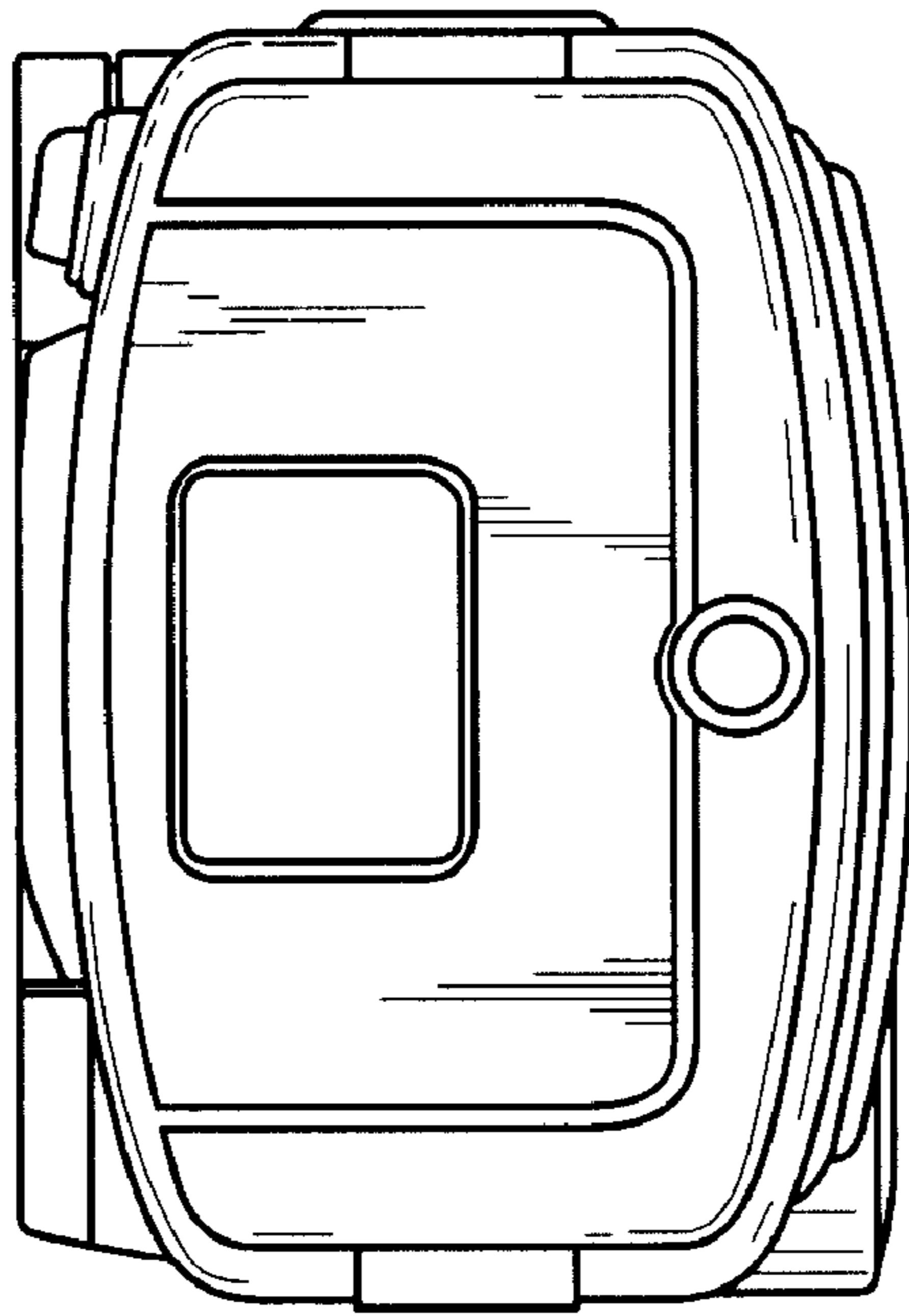


FIG. 4

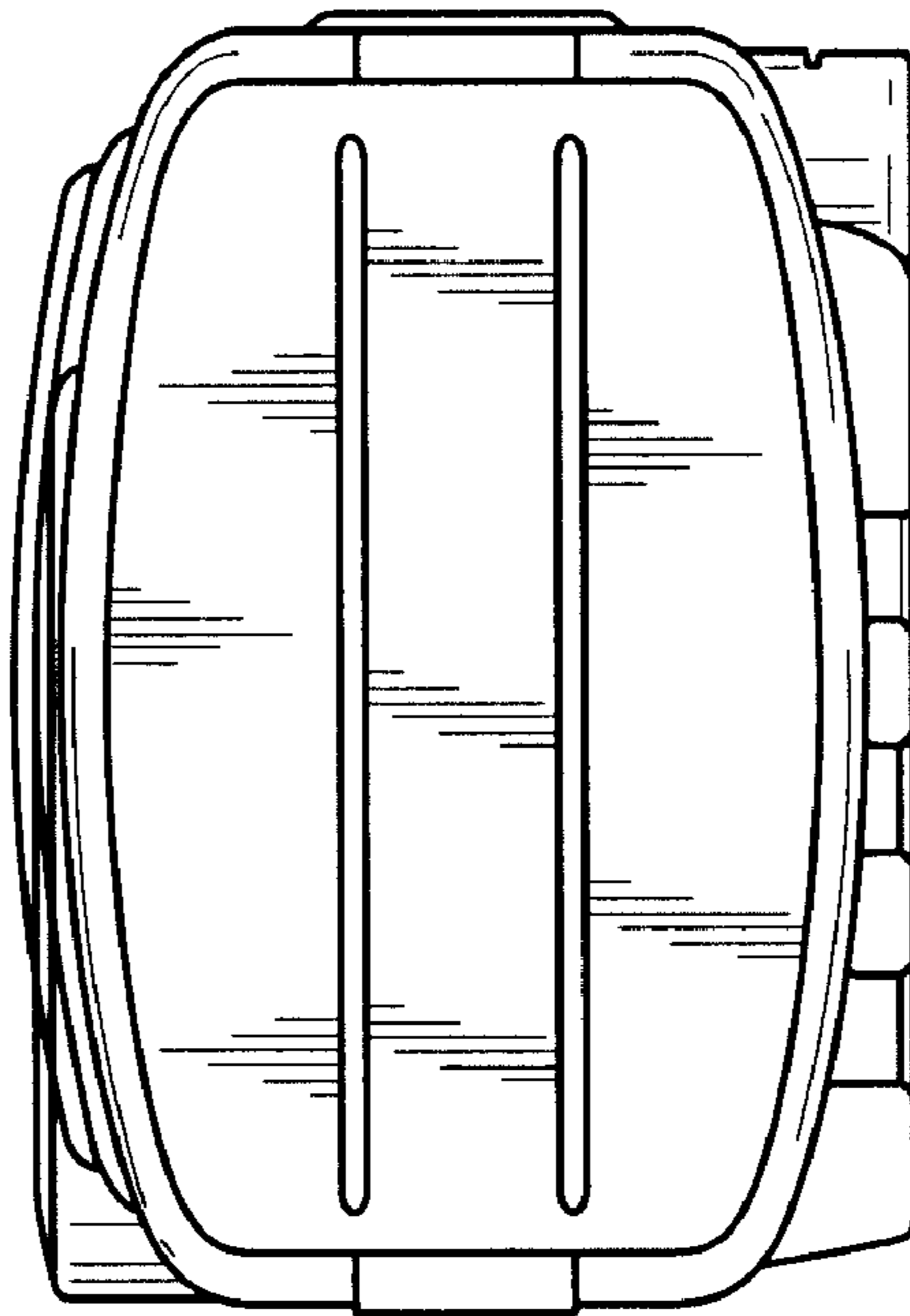


FIG. 5

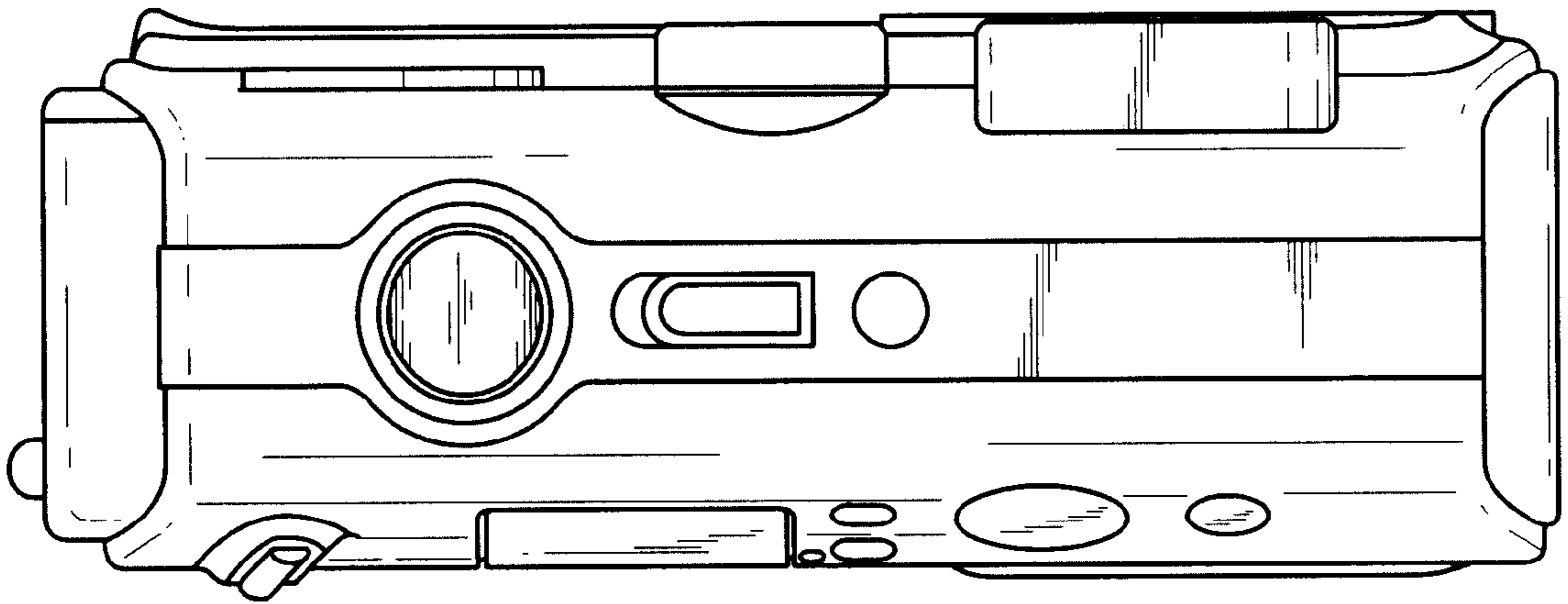


FIG. 6

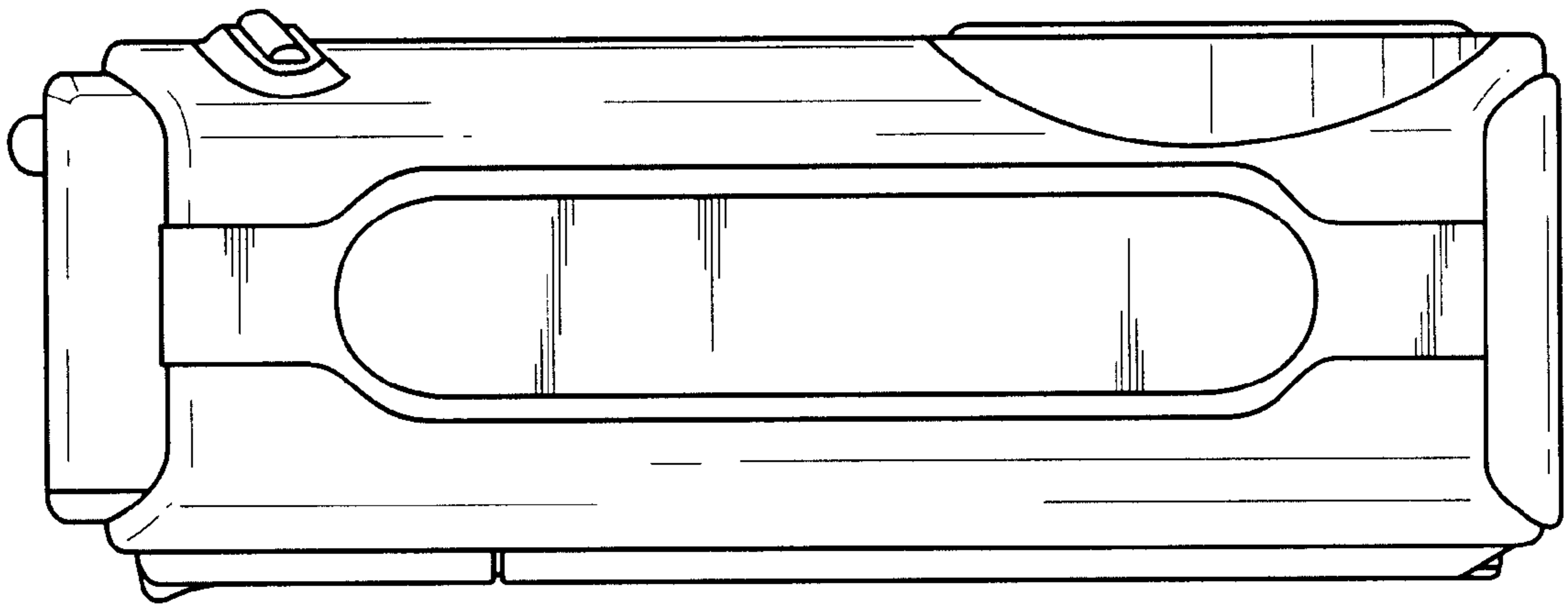


FIG. 7