



US00D480739S

(12) **United States Design Patent**
Carr et al.

(10) **Patent No.:** **US D480,739 S**

(45) **Date of Patent:** **** Oct. 14, 2003**

(54) **LENS**

(75) **Inventors:** **David Lawrence Carr**, Napa, CA (US); **Fang Chen**, Lonsdale (AU)

(73) **Assignee:** **Sola International, Inc.**, San Diego, CA (US)

(**) **Term:** **14 Years**

(21) **Appl. No.:** **29/163,775**

(22) **Filed:** **Jul. 15, 2002**

(30) **Foreign Application Priority Data**

Jan. 14, 2002 (AU) 96/2002
Jan. 14, 2002 (AU) 95/2002

(51) **LOC (7) Cl.** **16-06**

(52) **U.S. Cl.** **D16/101**

(58) **Field of Search** D16/101, 300-330;
D29/109, 110; 351/41, 44, 51, 52, 158,
159, 174; 2/447, 426

(56) **References Cited**

U.S. PATENT DOCUMENTS

2,354,772 A *	8/1944	Prange	351/174
D160,479 S *	10/1950	Costa	D16/101
D191,964 S *	12/1961	Gates et al.	351/160 R
D206,957 S *	2/1967	Ramp	D16/326
3,434,781 A *	3/1969	Davis et al.	351/159
D285,309 S *	8/1986	Rips	D16/101
D356,323 S *	3/1995	Yee	D16/315
D366,663 S *	1/1996	Metruk	D16/101

OTHER PUBLICATIONS

accessories, p. 49, May 1998.*

clinton optical company, inc., p. 28, Jan. 1947.*

* cited by examiner

Primary Examiner—Raphael Barkai

(74) *Attorney, Agent, or Firm*—Burns, Doane, Swecker & Mathis, L.L.P.

(57) **CLAIM**

The ornamental design for a lens, as shown and described.

DESCRIPTION

FIG. 1 is a perspective view of a lens showing our new design.

FIG. 2 is a side elevational view thereof, the other side being a mirror image.

FIG. 3 is a front elevational view thereof.

FIG. 4 is a cross sectional view thereof, taken generally along the line 4—4 shown in FIG. 3.

FIG. 5 is a top plan view thereof.

FIG. 6 is a cross sectional view thereof, taken generally along the line 6—6 shown in FIG. 3.

FIG. 7 is a rear elevational view thereof.

FIG. 8 is a bottom plan view thereof.

FIG. 9 is a perspective view of a second embodiment of a lens showing our new design thereof.

FIG. 10 is a side elevational view thereof, the other side being a mirror image;

FIG. 11 is a front elevational view thereof.

FIG. 12 is a cross sectional view thereof, taken generally along the line 12—12 shown in FIG. 11.

FIG. 13 is a top plan view thereof.

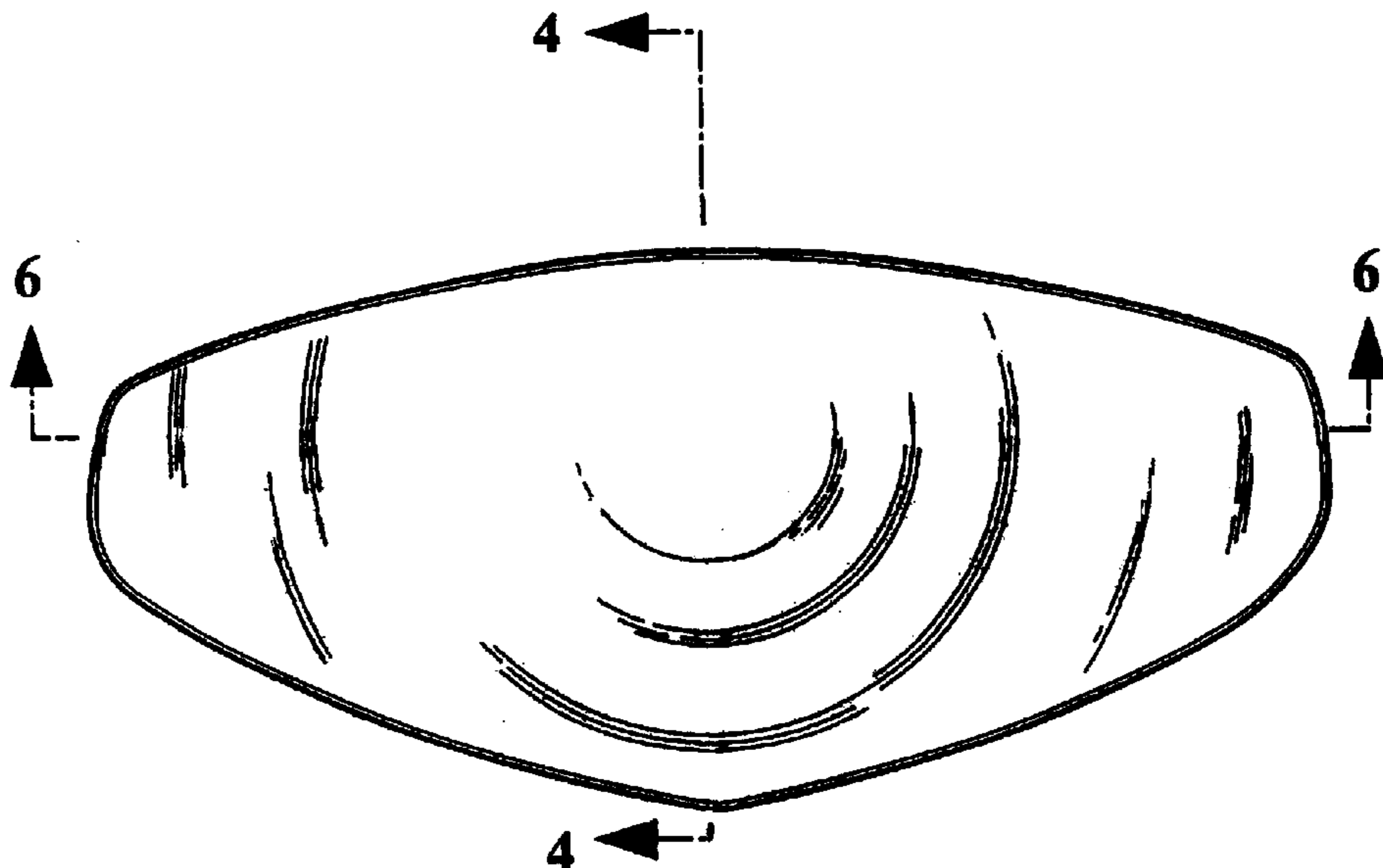
FIG. 14 is a cross sectional view thereof, taken generally along the line 14—14 shown in FIG. 11.

FIG. 15 is a rear elevational view thereof; and,

FIG. 16 is a bottom plan view thereof.

The lens of the present invention as illustrated in FIGS. 1-18 is substantially transparent/translucent. The second embodiment of the present invention as illustrated in FIGS. 9-16 further includes a side edge having a pattern and/or ornamentation, such as a color, applied thereto.

1 Claim, 6 Drawing Sheets



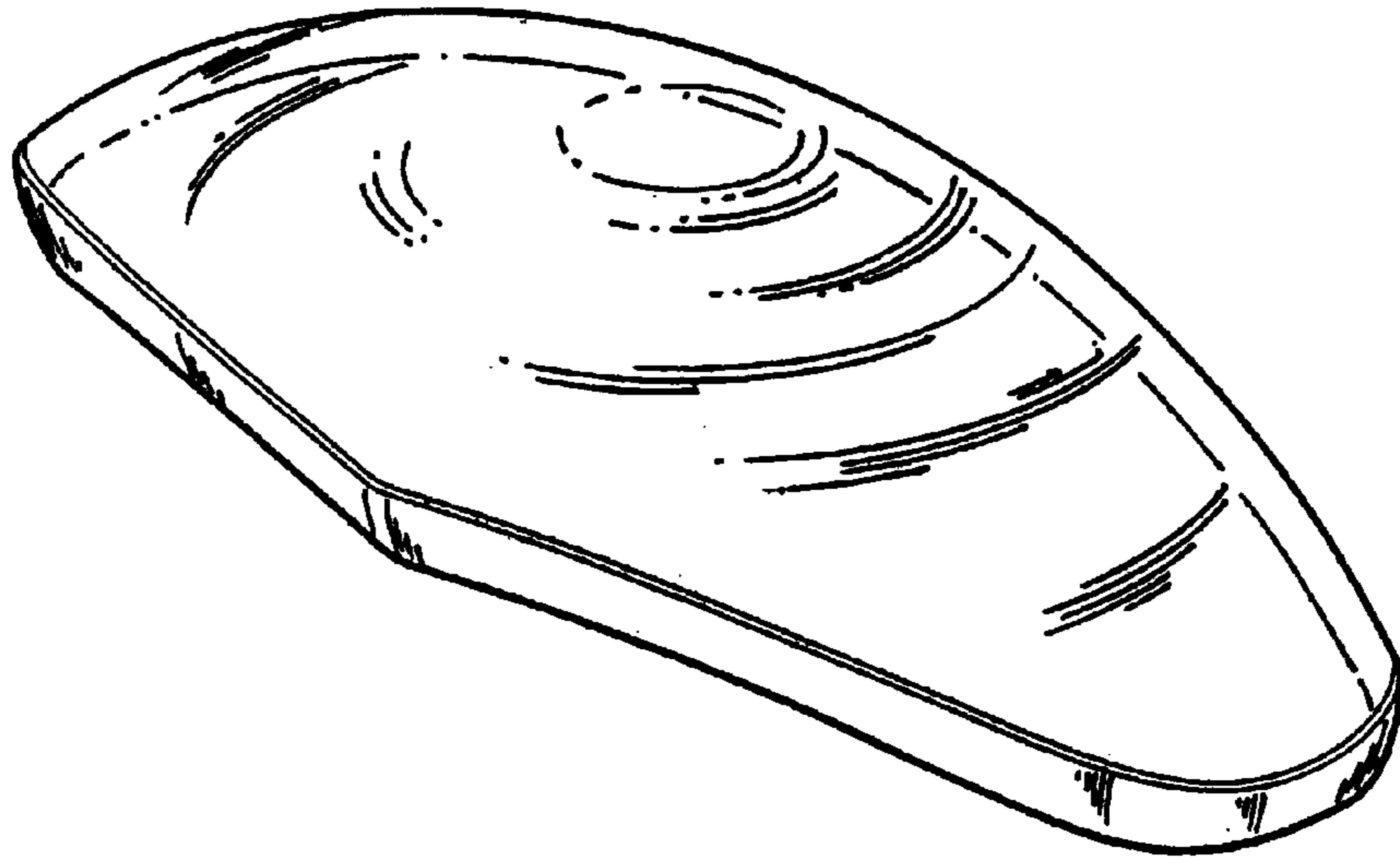


FIG. 1

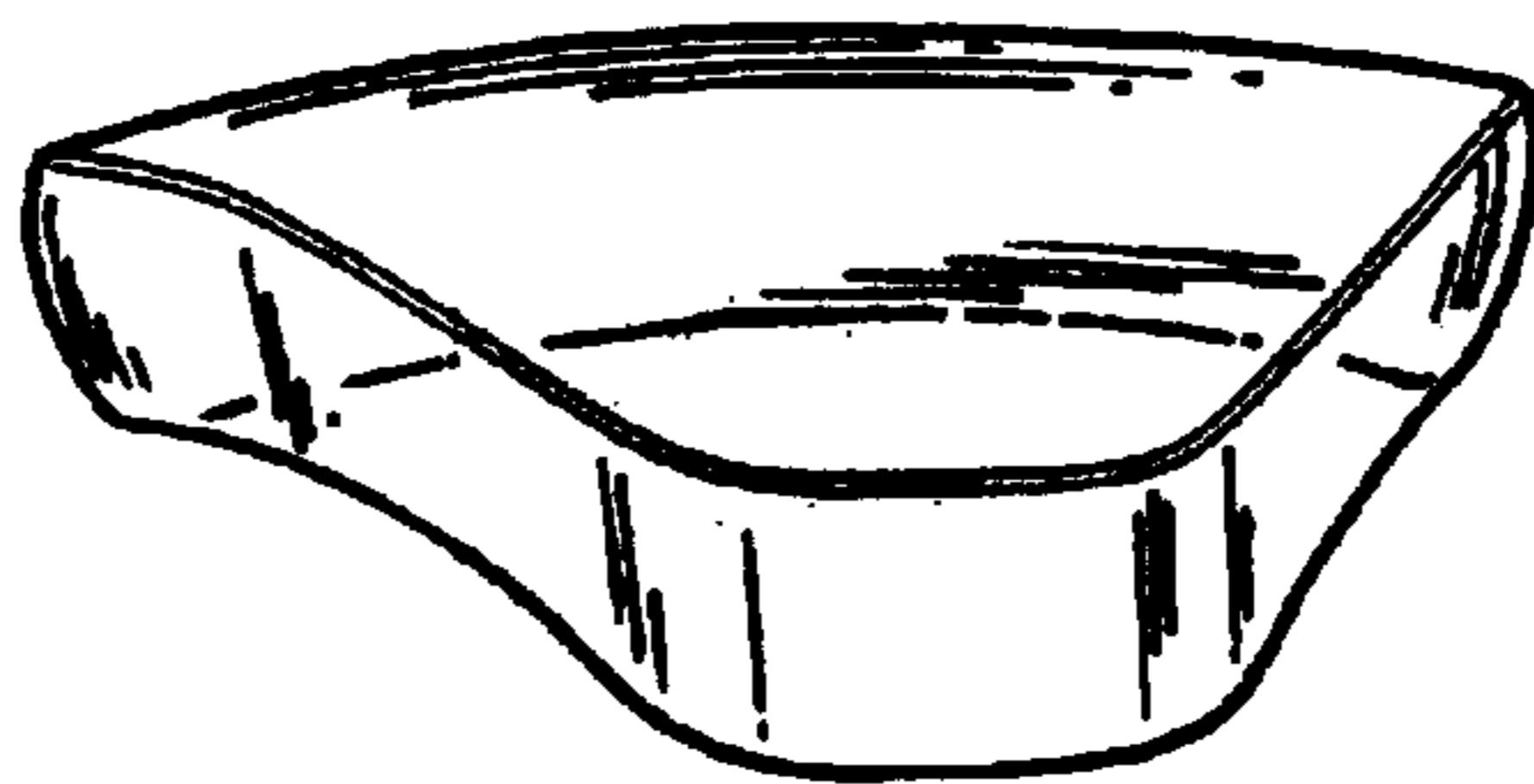


FIG. 2

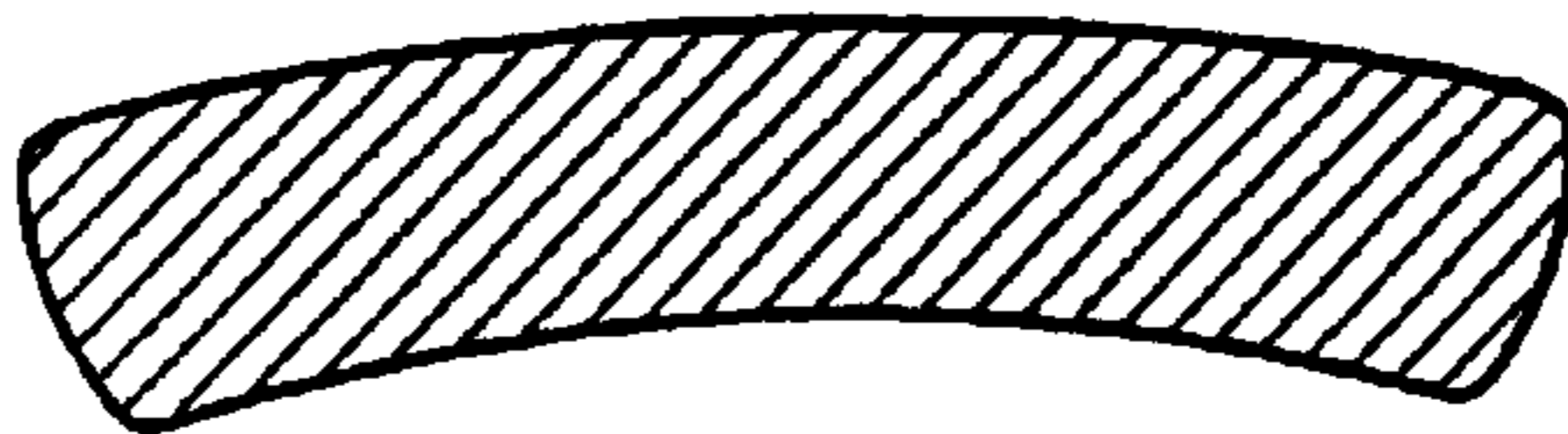


FIG. 4

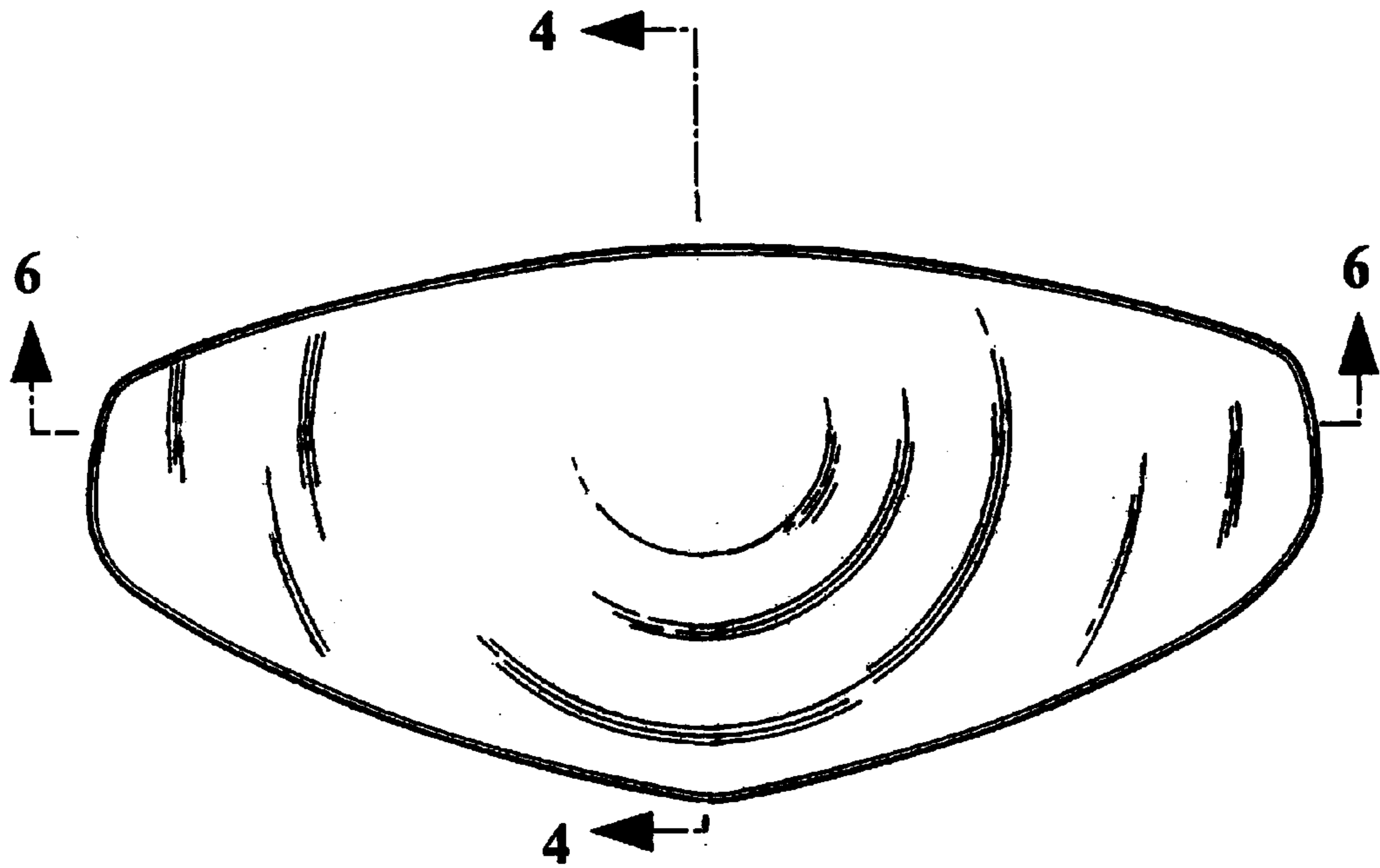


FIG. 3

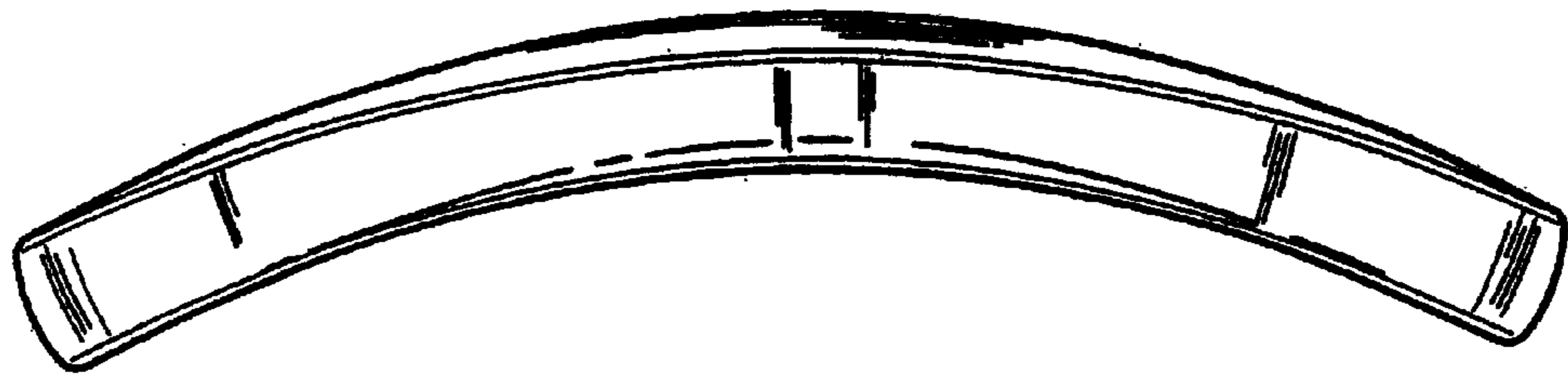


FIG. 5

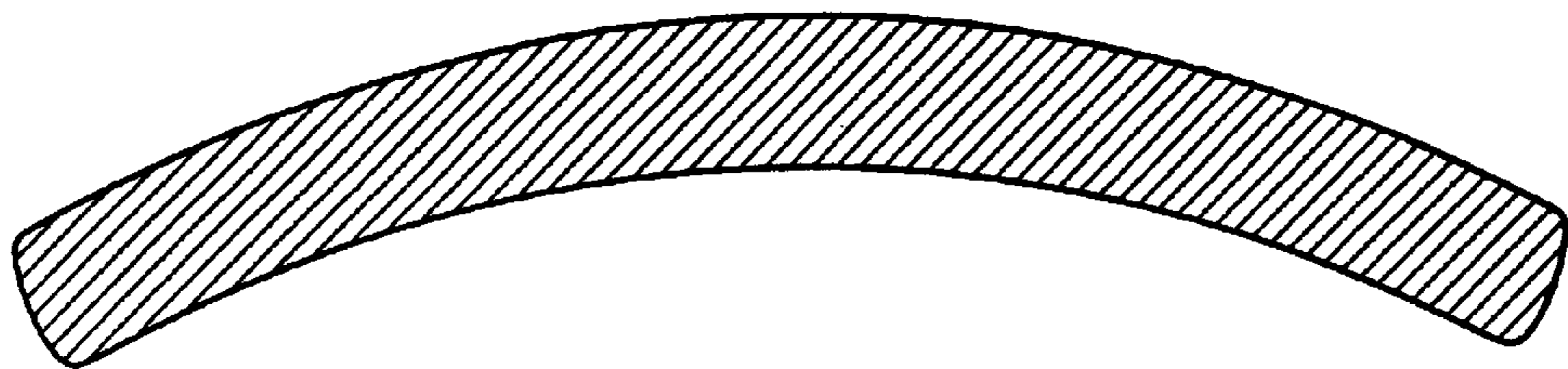


FIG. 6

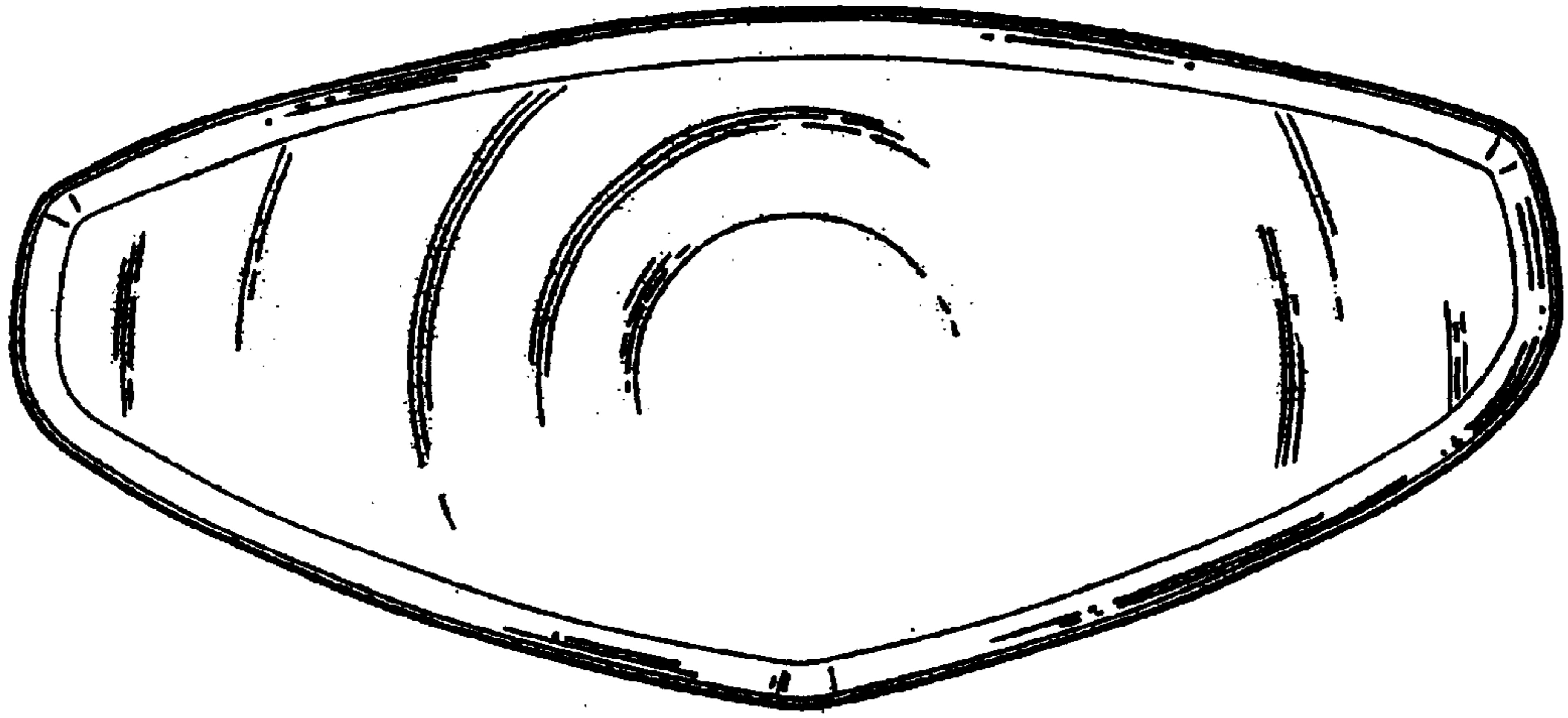


FIG. 7

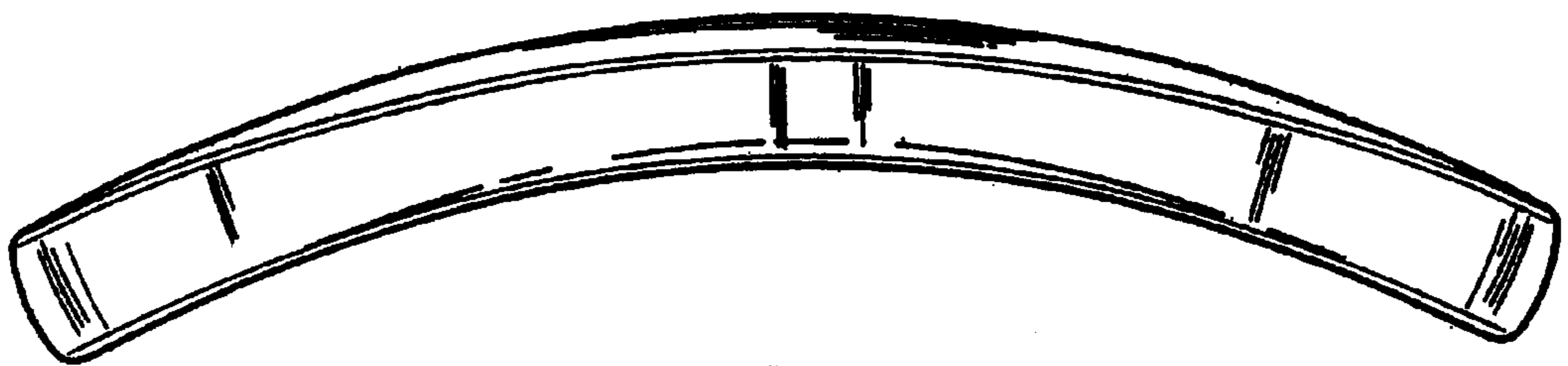


FIG. 8

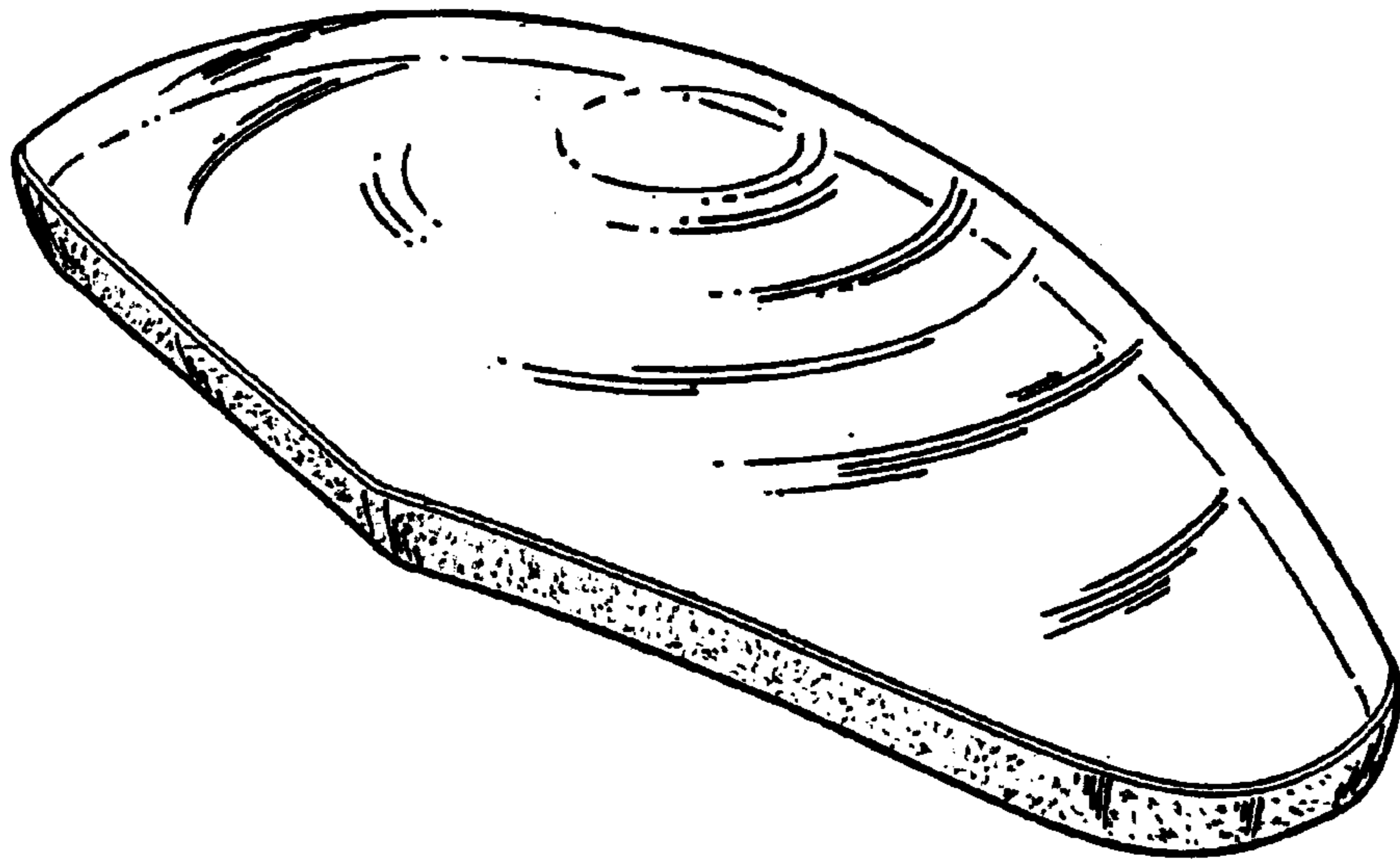


FIG. 9

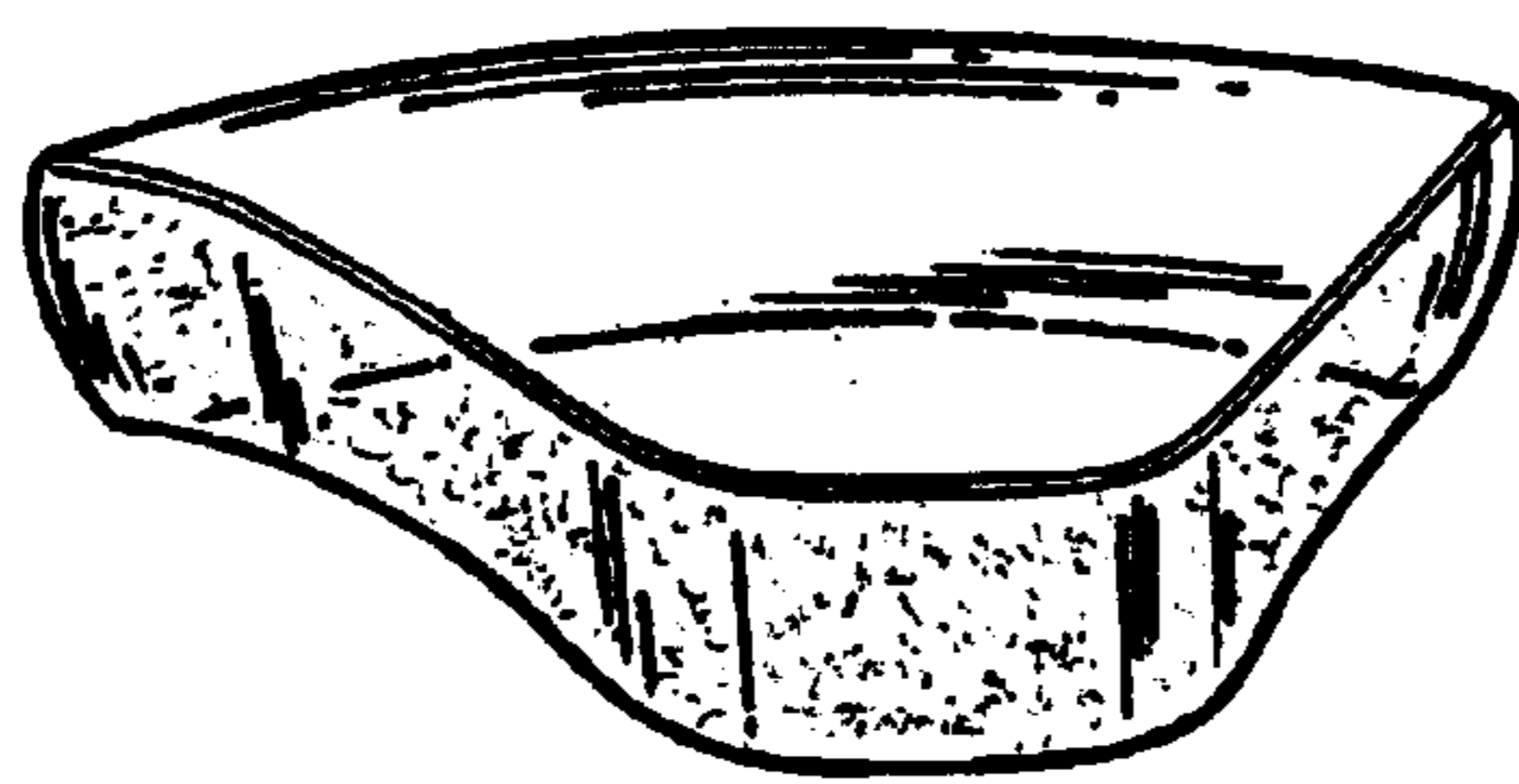


FIG. 10

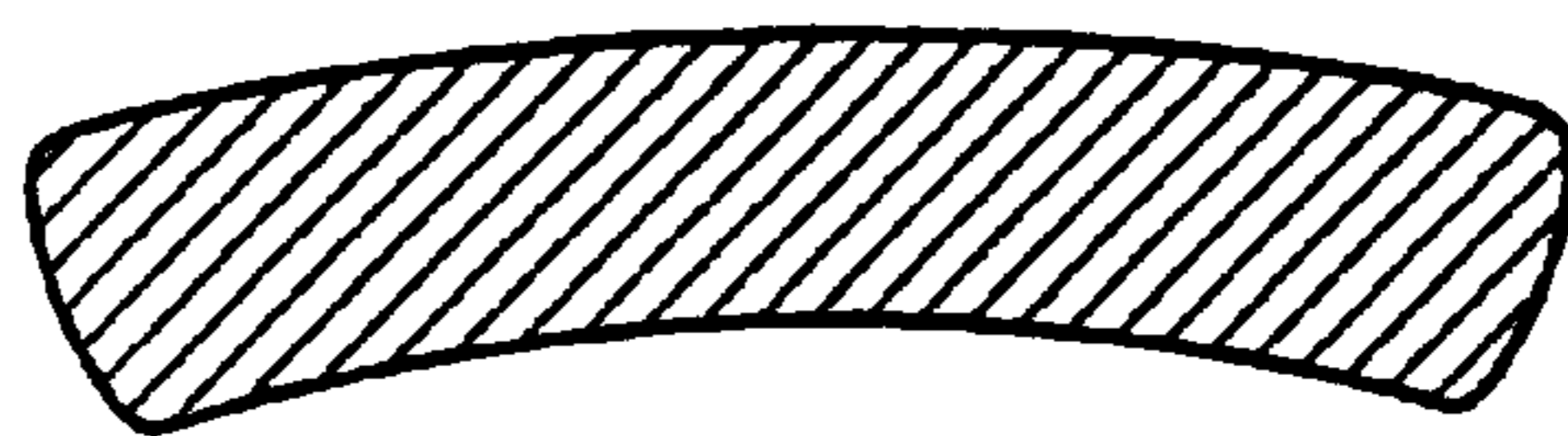


FIG. 12

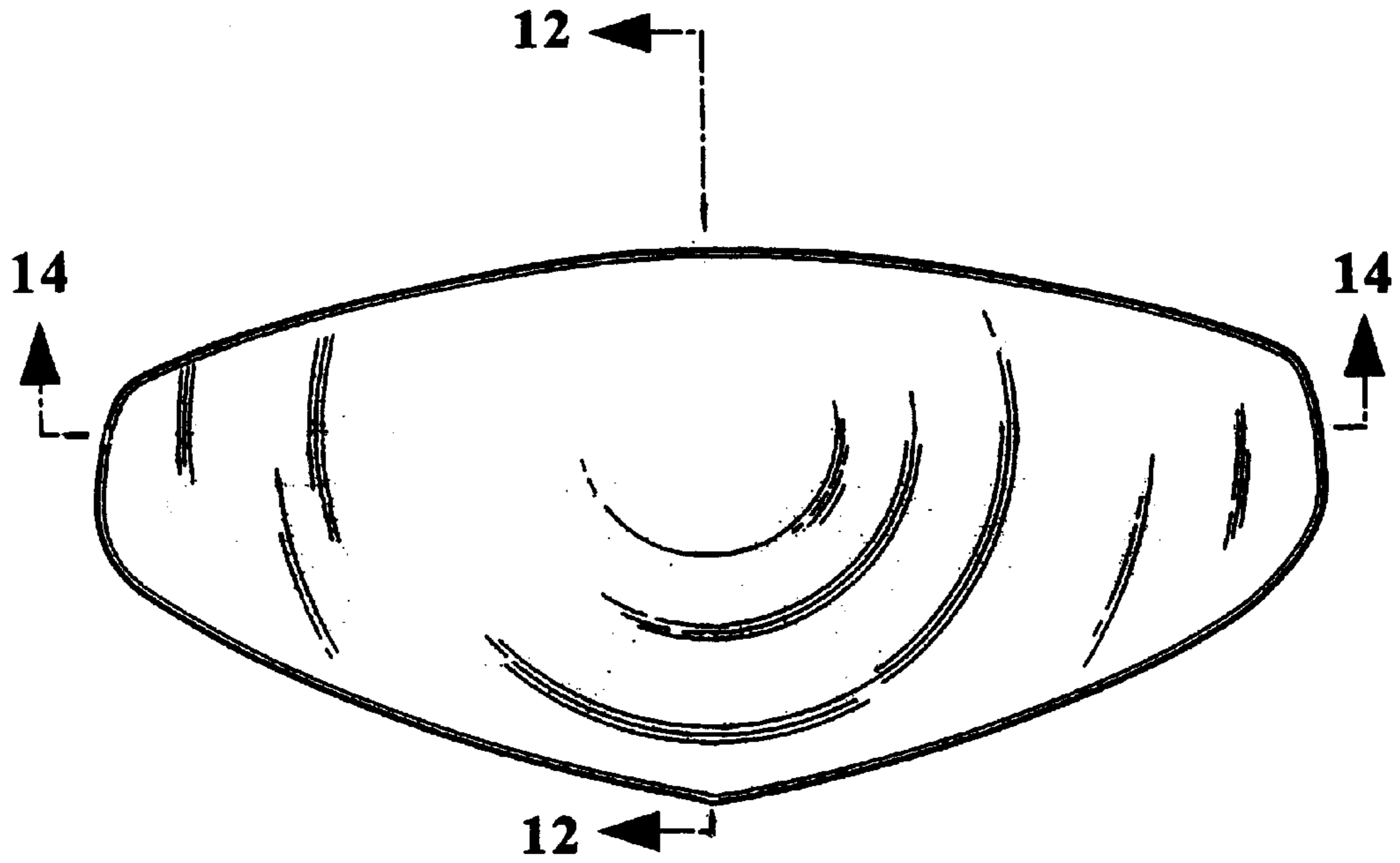


FIG. 11

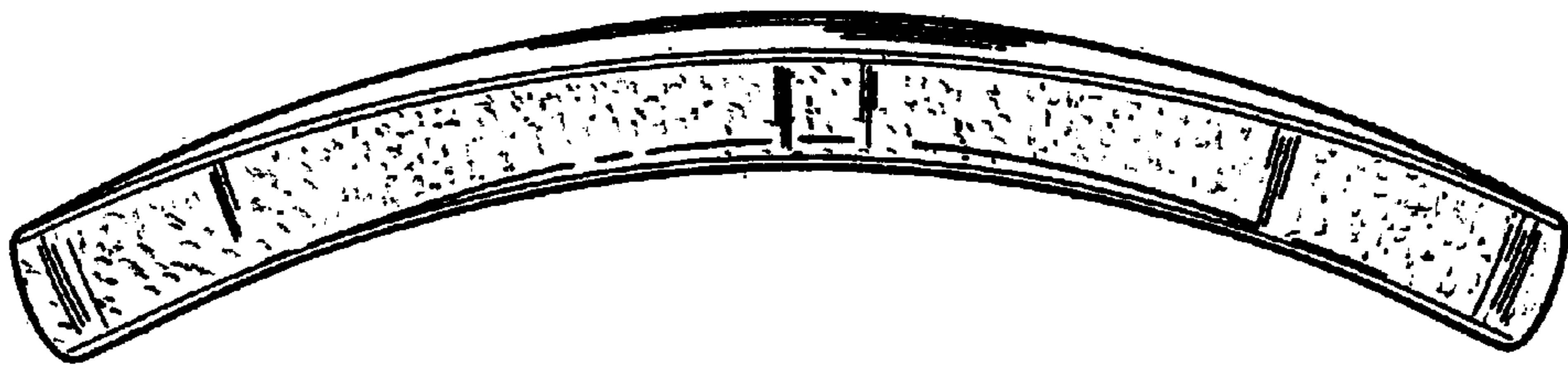


FIG. 13

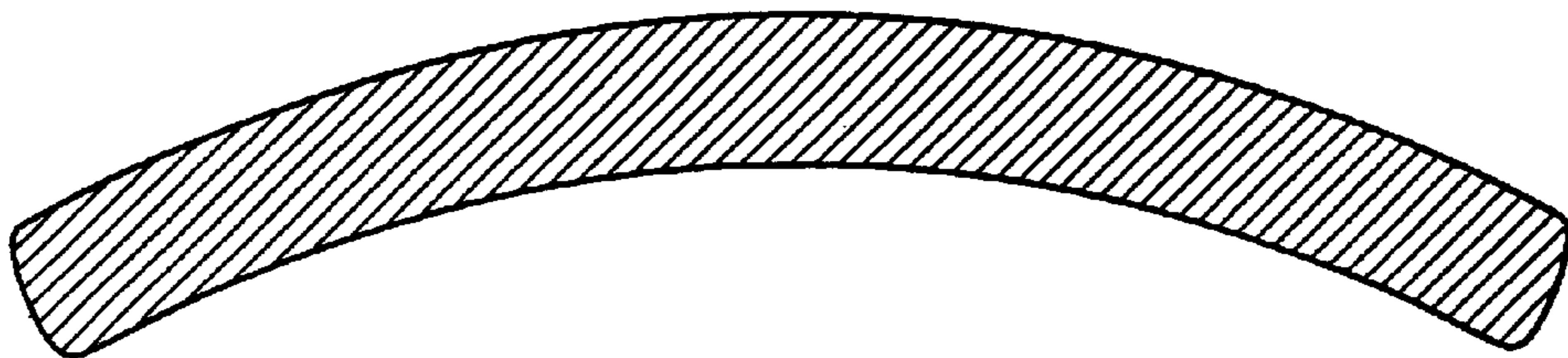


FIG. 14

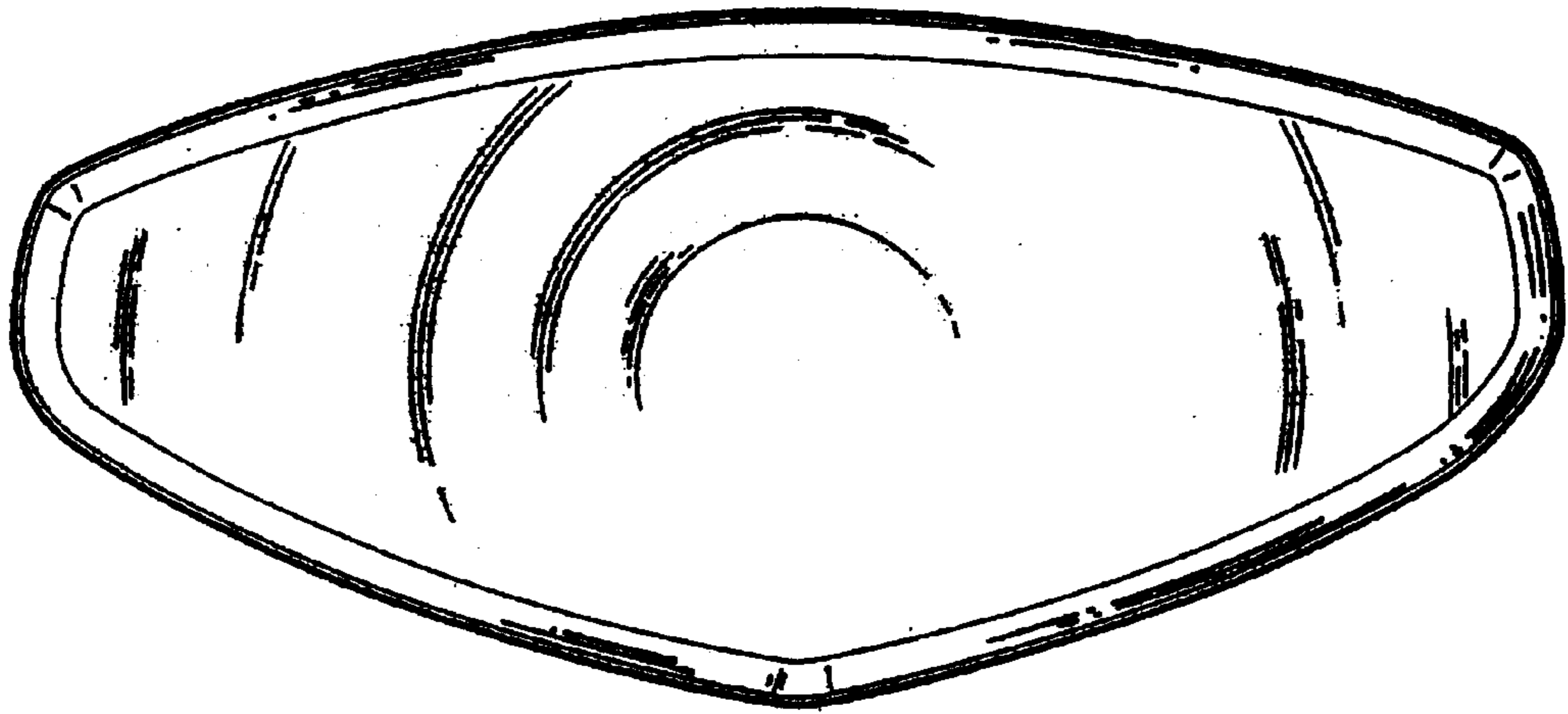


FIG. 15



FIG. 16