



US00D480738S

(12) **United States Design Patent**
Martin et al.

(10) **Patent No.:** **US D480,738 S**

(45) **Date of Patent:** **** Oct. 14, 2003**

(54) **OVEN BODY**

5,266,772 A * 11/1993 Reed 219/137 R
D447,331 S 9/2001 Martin et al.

(75) Inventors: **Cheryl A. Martin**, Watertown, WI
(US); **Steven R. Walczak**, Hales
Corners, WI (US)

* cited by examiner

Primary Examiner—Antoine Duval Davis

(74) *Attorney, Agent, or Firm*—Quarles & Brady, LLP

(73) Assignee: **Phoenix International, Inc.**,
Milwaukee, WI (US)

(57) **CLAIM**

(**) Term: **14 Years**

The ornamental design for an oven body, as shown and described.

(21) Appl. No.: **29/163,575**

DESCRIPTION

(22) Filed: **Jul. 5, 2002**

(51) **LOC (7) Cl.** **15-09**

(52) **U.S. Cl.** **D15/144**

(58) **Field of Search** D15/144, 144.1,
D15/144.2; 219/137 R, 136, 138; 150/161;
221/204, 254, 267, 268, 310

FIG. 1 is a perspective view of an oven body showing our new design;

FIG. 2 is a left side elevational view thereof, the right side elevational view being a mirror image of the left side;

FIG. 3 is a back elevational view thereof;

FIG. 4 is a front elevational view thereof; and,

FIG. 5 is a top elevational view thereof.

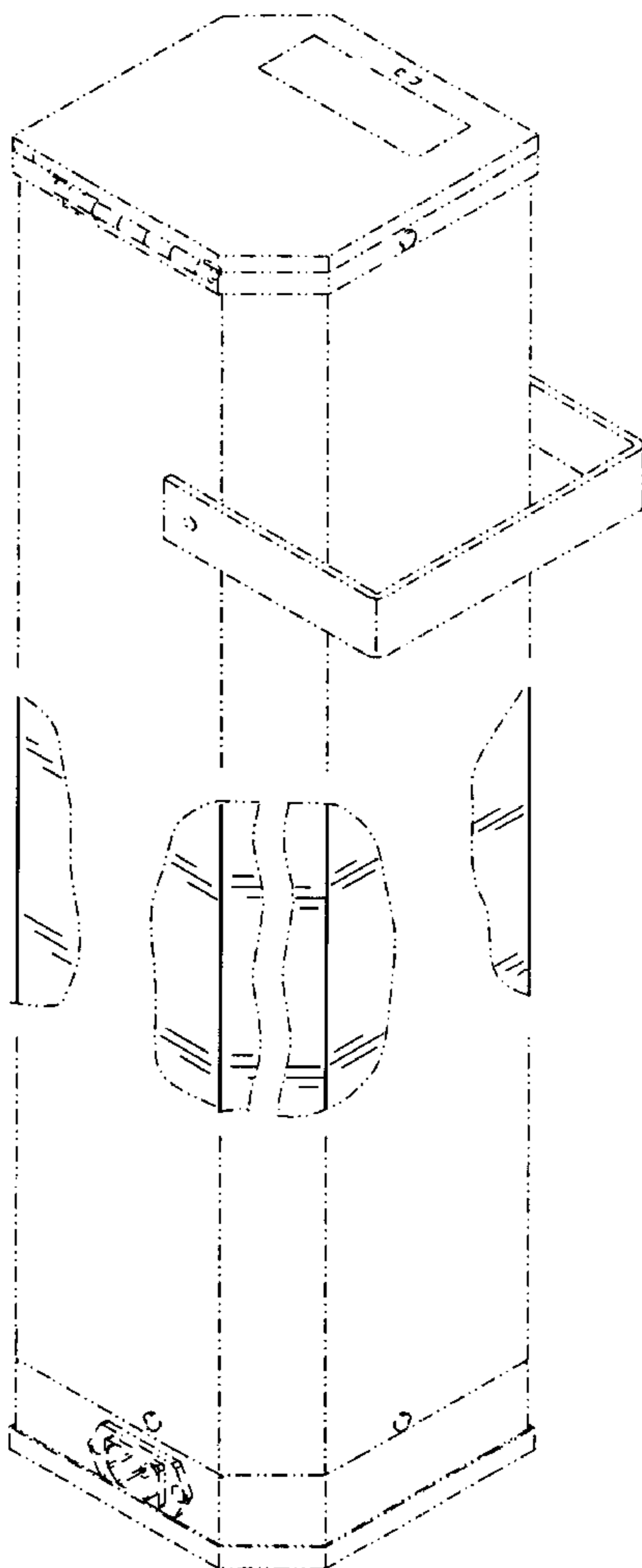
The broken line representations in the figures do not limit the scope of the design.

(56) **References Cited**

U.S. PATENT DOCUMENTS

4,266,690 A * 5/1981 Holmes et al. 221/254

1 Claim, 2 Drawing Sheets



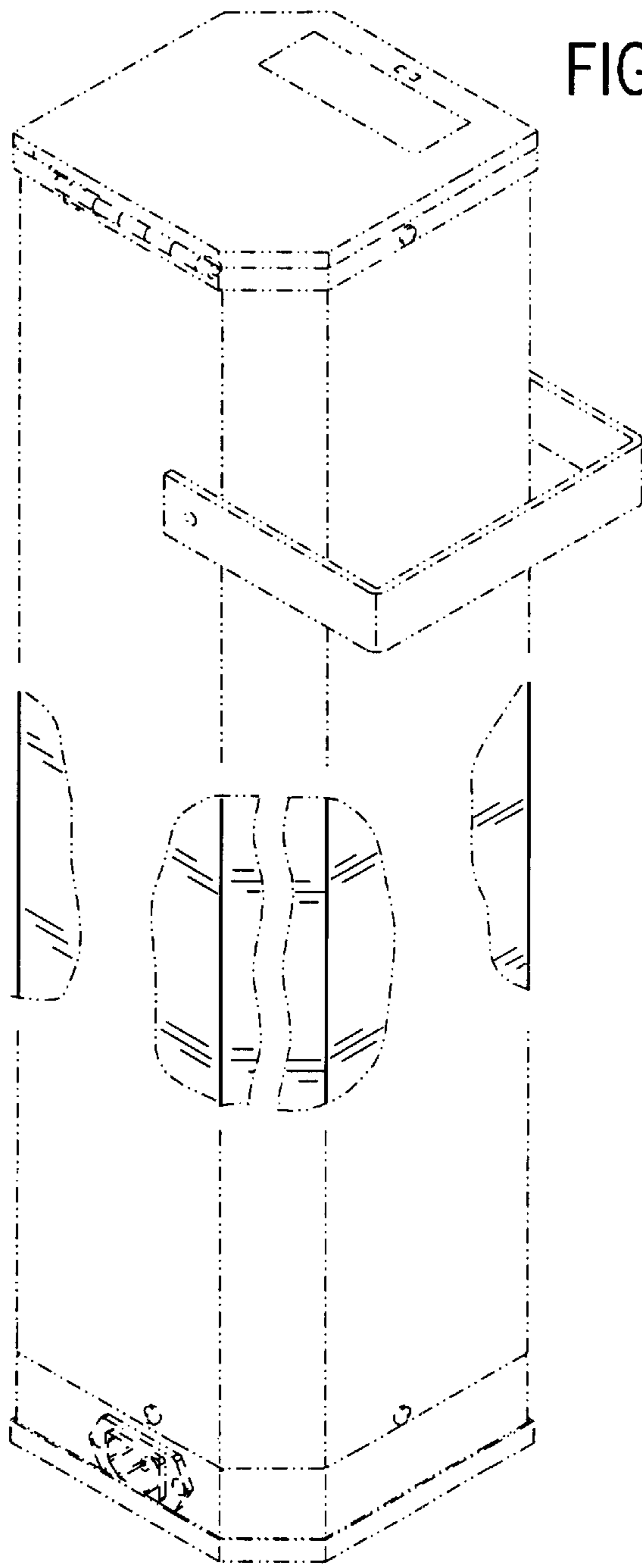


FIG. 1

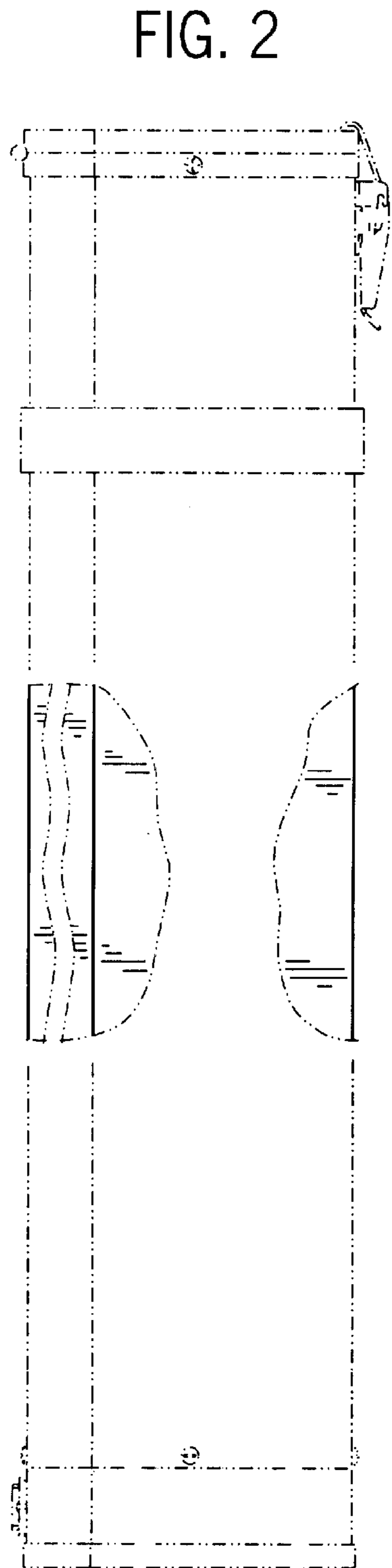


FIG. 2

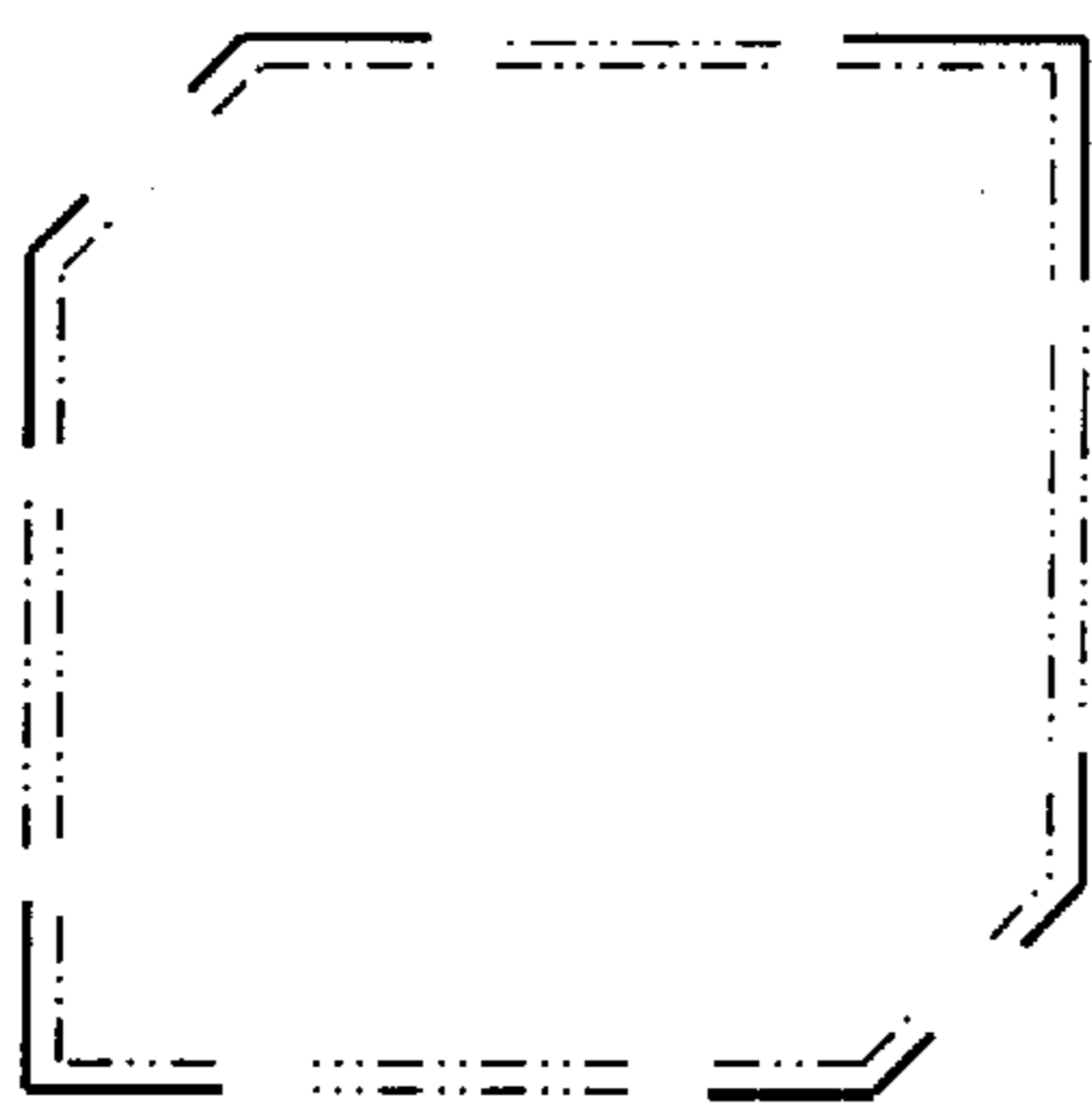


FIG. 5

FIG. 3

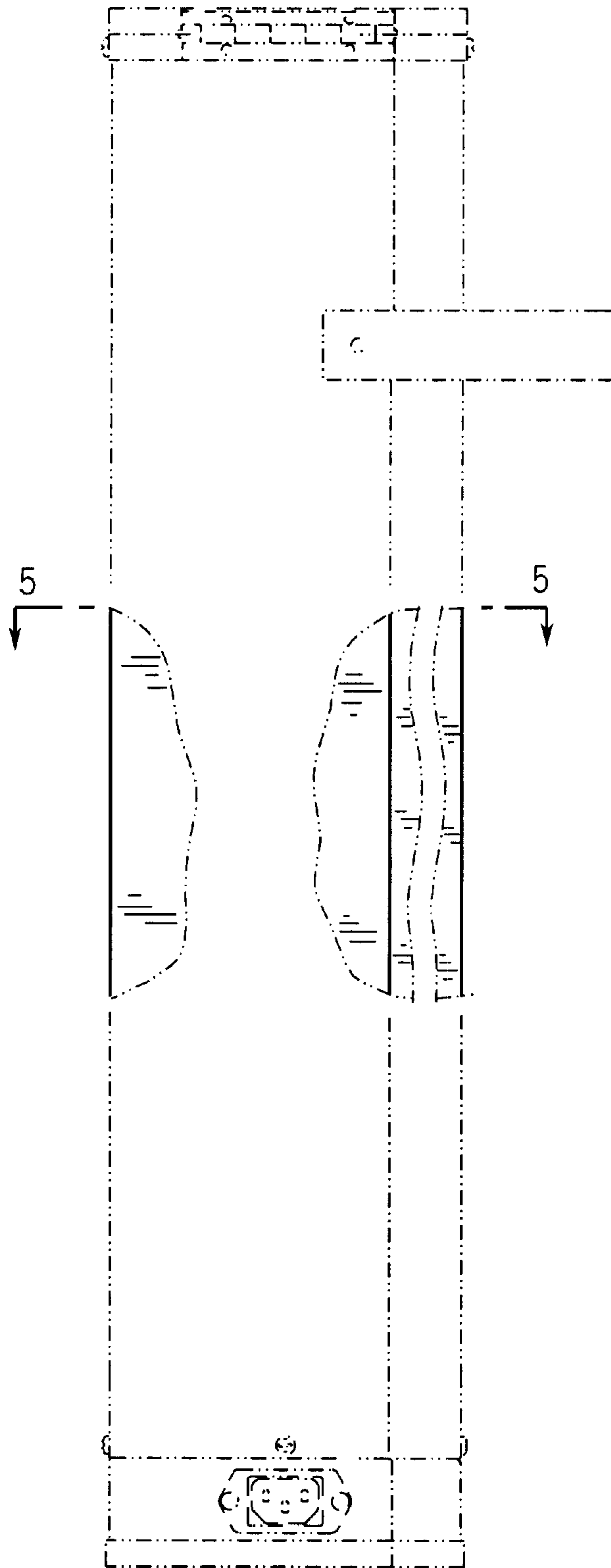


FIG. 4

