



US00D480737S

(12) **United States Design Patent**
Corcoran et al.

(10) **Patent No.:** **US D480,737 S**

(45) **Date of Patent:** **** Oct. 14, 2003**

(54) **PORTABLE PUNCH**

(75) Inventors: **Kevin L. Corcoran**, Mission Viejo, CA (US); **Robert E. Workman**, Mapleton, UT (US); **Trevor Freeman**, Costa Mesa, CA (US)

(73) Assignee: **Ellison Educational Equipment Inc.**, Lake Forest, CA (US)

(**) Term: **14 Years**

(21) Appl. No.: **29/169,764**

(22) Filed: **Oct. 25, 2002**

(51) **LOC (7) Cl.** **15-09**

(52) **U.S. Cl.** **D15/136**

(58) **Field of Search** D7/672; D15/135-137; 425/363, 469, 318, 385, 396, 95; 100/295, 211; 99/426; 30/316, 325, 123.3

(56) **References Cited**

U.S. PATENT DOCUMENTS

2,019,009	A	*	10/1935	Henry	30/316	X
2,836,716	A	*	2/1958	Gelder	30/316	X
D198,580	S	*	7/1964	Swett et al.	D7/672	
3,279,397	A	*	10/1966	Swett et al.	425/298	
D227,533	S	*	7/1973	Christell	D7/672	
4,345,516	A	*	8/1982	Sinclair	99/426	
5,230,156	A	*	7/1993	Patenaude	30/325	

* cited by examiner

Primary Examiner—Antoine Duval Davis

(74) *Attorney, Agent, or Firm*—Townsend & Townsend & Crew, LLP

(57) **CLAIM**

The ornamental design for a portable punch, as shown and described.

DESCRIPTION

FIG. 1 is a front perspective view of a first embodiment of a portable punch of the present invention;

FIG. 2 is a top plan view of the first embodiment;

FIG. 3 is a bottom plan view of the first embodiment;

FIG. 4 is a right-side elevational view of the first embodiment;

FIG. 5 is a left-side elevational view of the first embodiment;

FIG. 6 is a rear elevational view of the first embodiment;

FIG. 7 is a front elevational view of the first embodiment;

FIG. 8 is a front perspective view of a second embodiment of a portable punch of the present invention;

FIG. 9 is a top plan view of the second embodiment;

FIG. 10 is a bottom plan view of the second embodiment;

FIG. 11 is a right-side elevational view of the second embodiment;

FIG. 12 is a left-side elevational view of the second embodiment;

FIG. 13 is a rear elevational view of the second embodiment;

FIG. 14 is a front elevational view of the second embodiment;

FIG. 15 is a front perspective view of a third embodiment of a portable punch of the present invention;

FIG. 16 is a top plan view of the third embodiment;

FIG. 17 is a bottom plan view of the third embodiment;

FIG. 18 is a right-side elevational view of the third embodiment;

FIG. 19 is a left-side elevational view of the third embodiment;

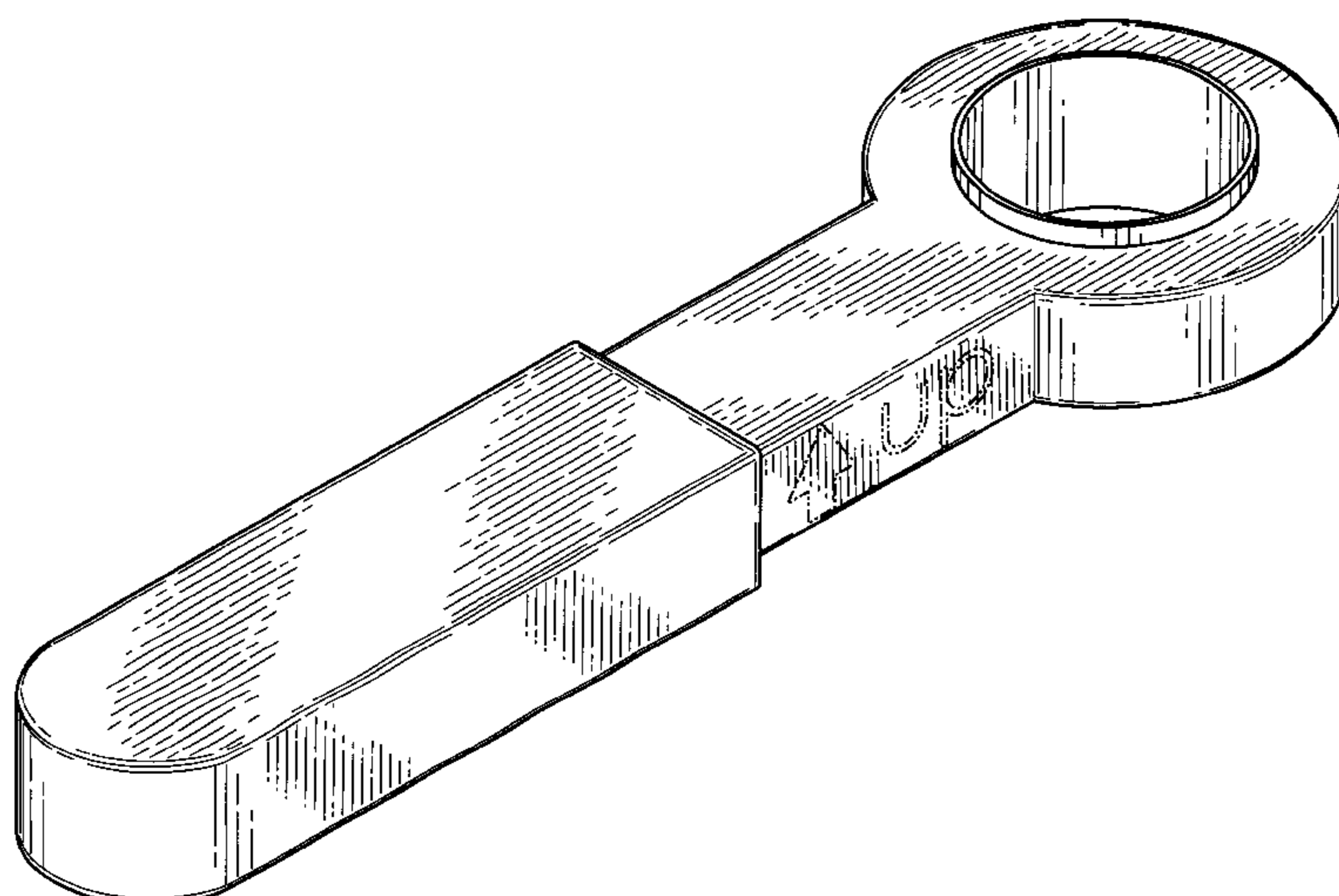
FIG. 20 is a rear elevational view of the third embodiment;

FIG. 21 is a front elevational view of the third embodiment; and,

FIG. 22 is a front perspective view of the fourth embodiment of the portable punch of the present invention.

The broken lines showing portions of the portable punch are for illustrative purposes only and form no part of the claimed design.

1 Claim, 13 Drawing Sheets



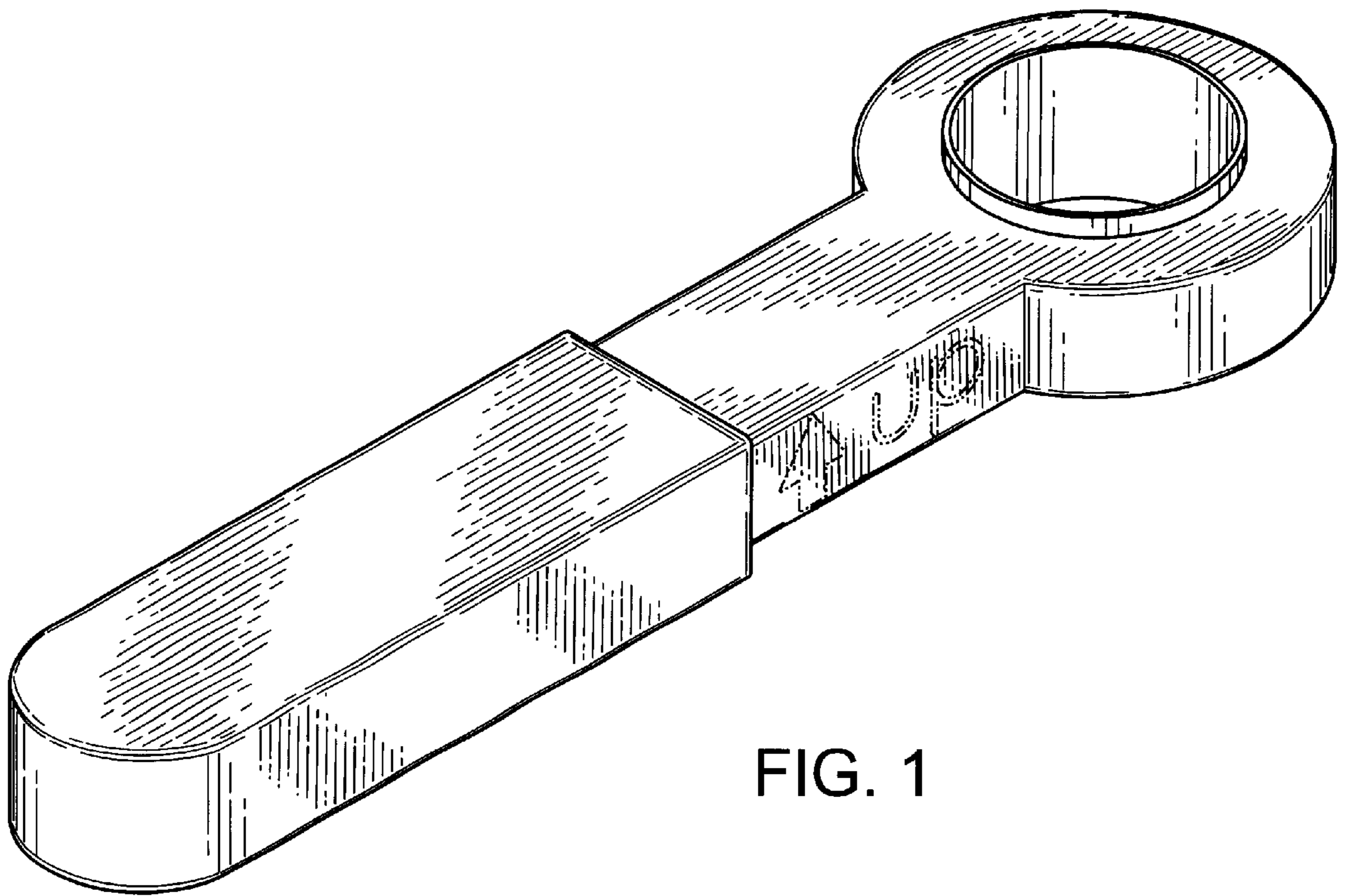


FIG. 1

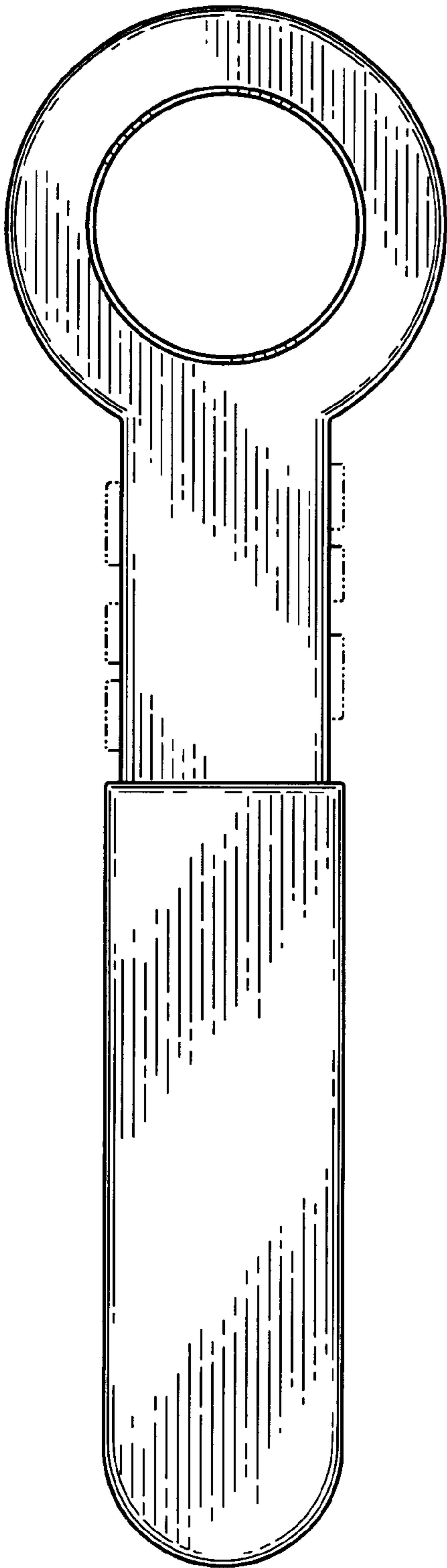


FIG. 2

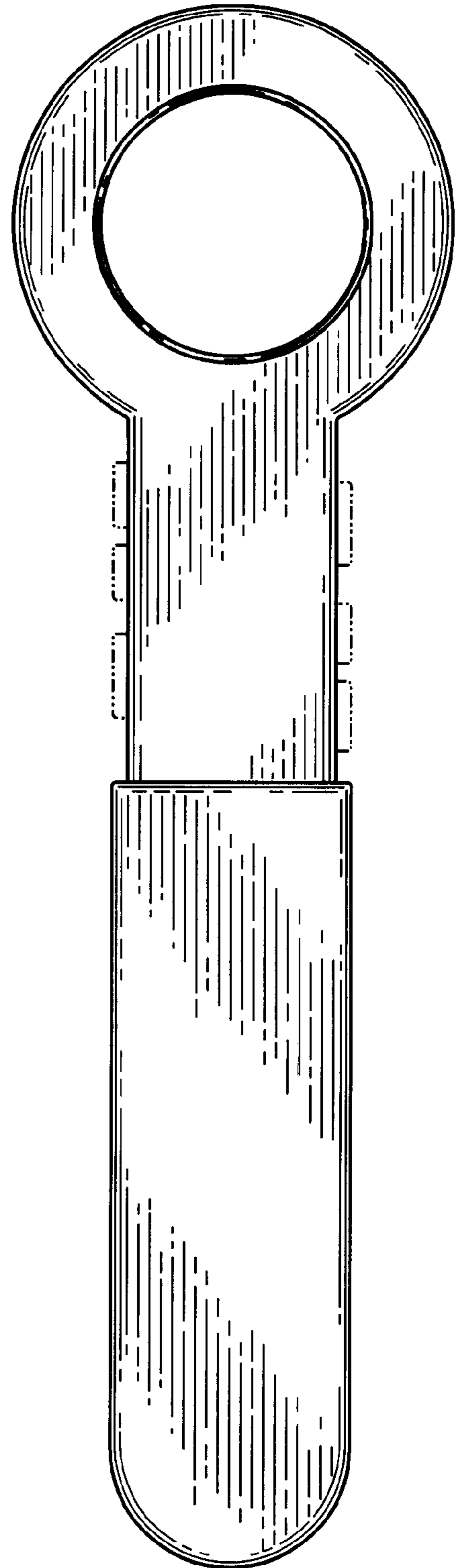


FIG. 3

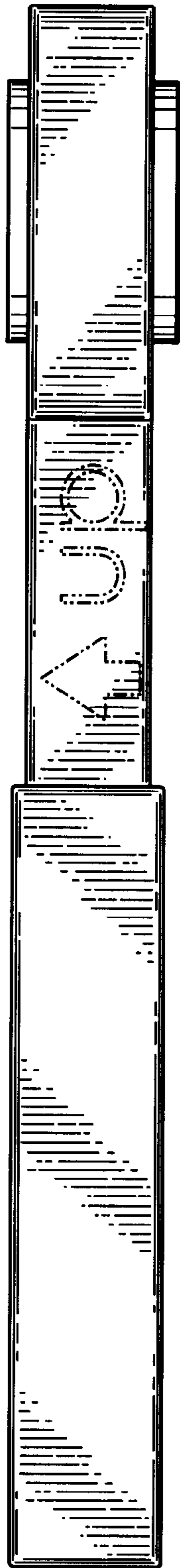


FIG. 4

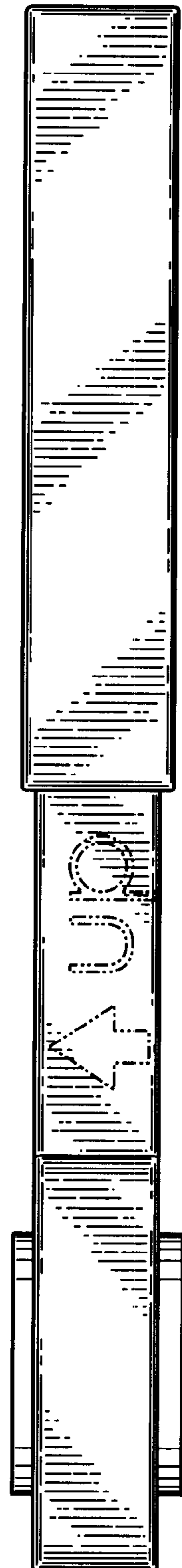


FIG. 5

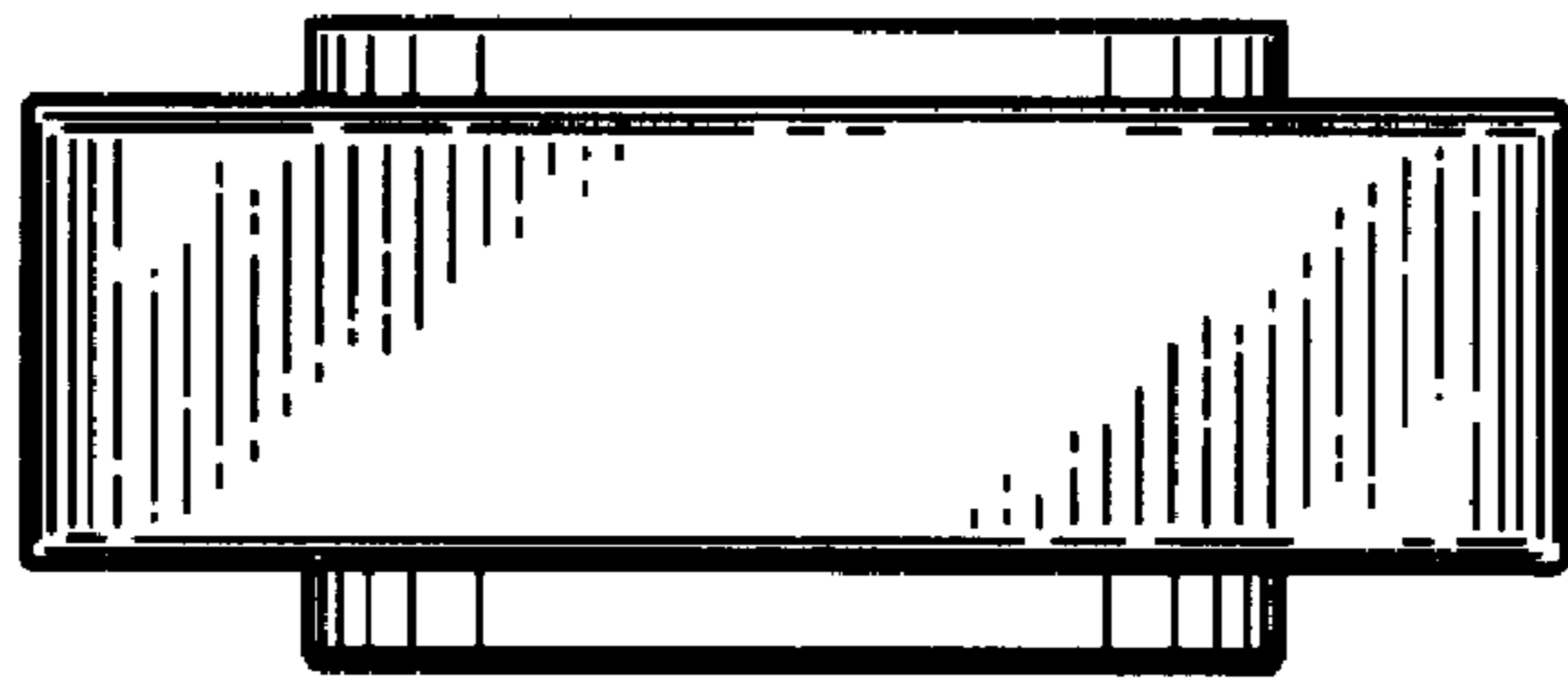


FIG. 6

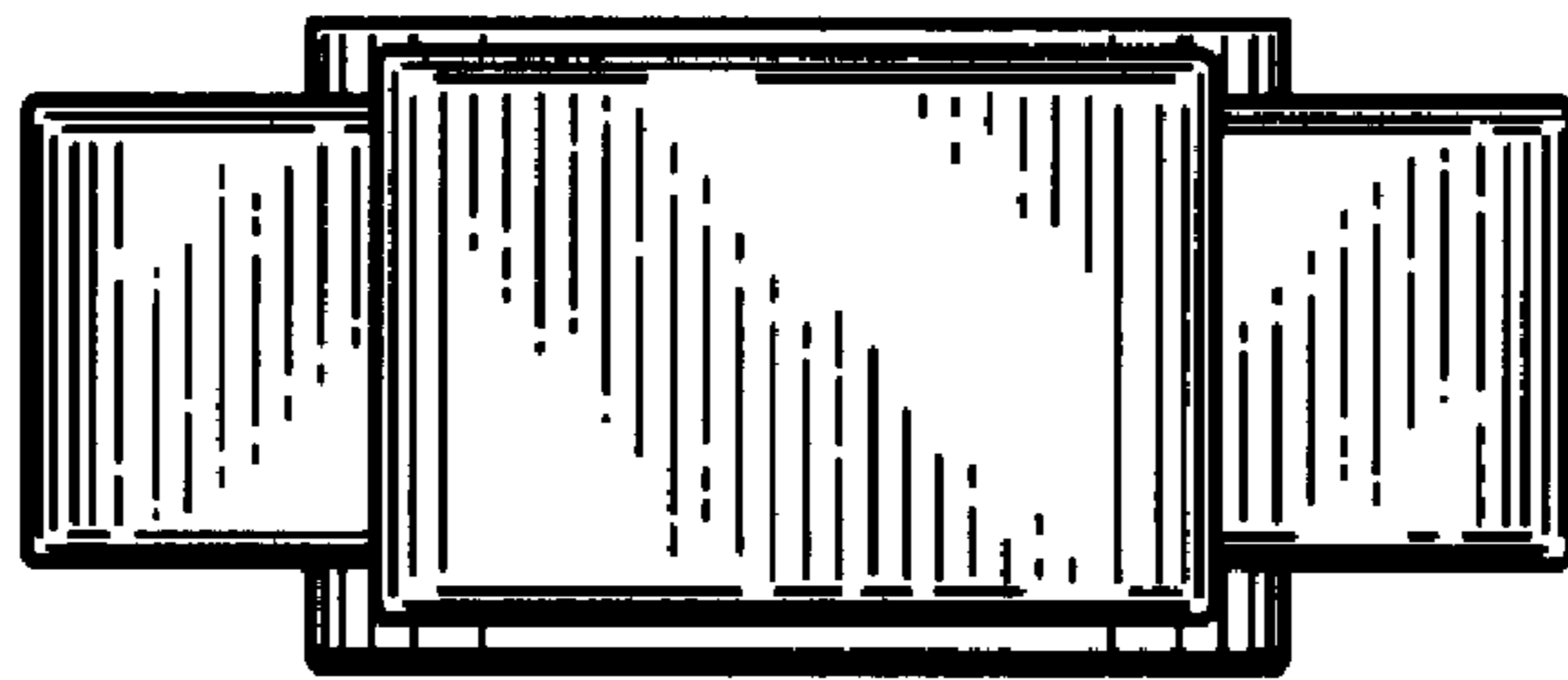


FIG. 7

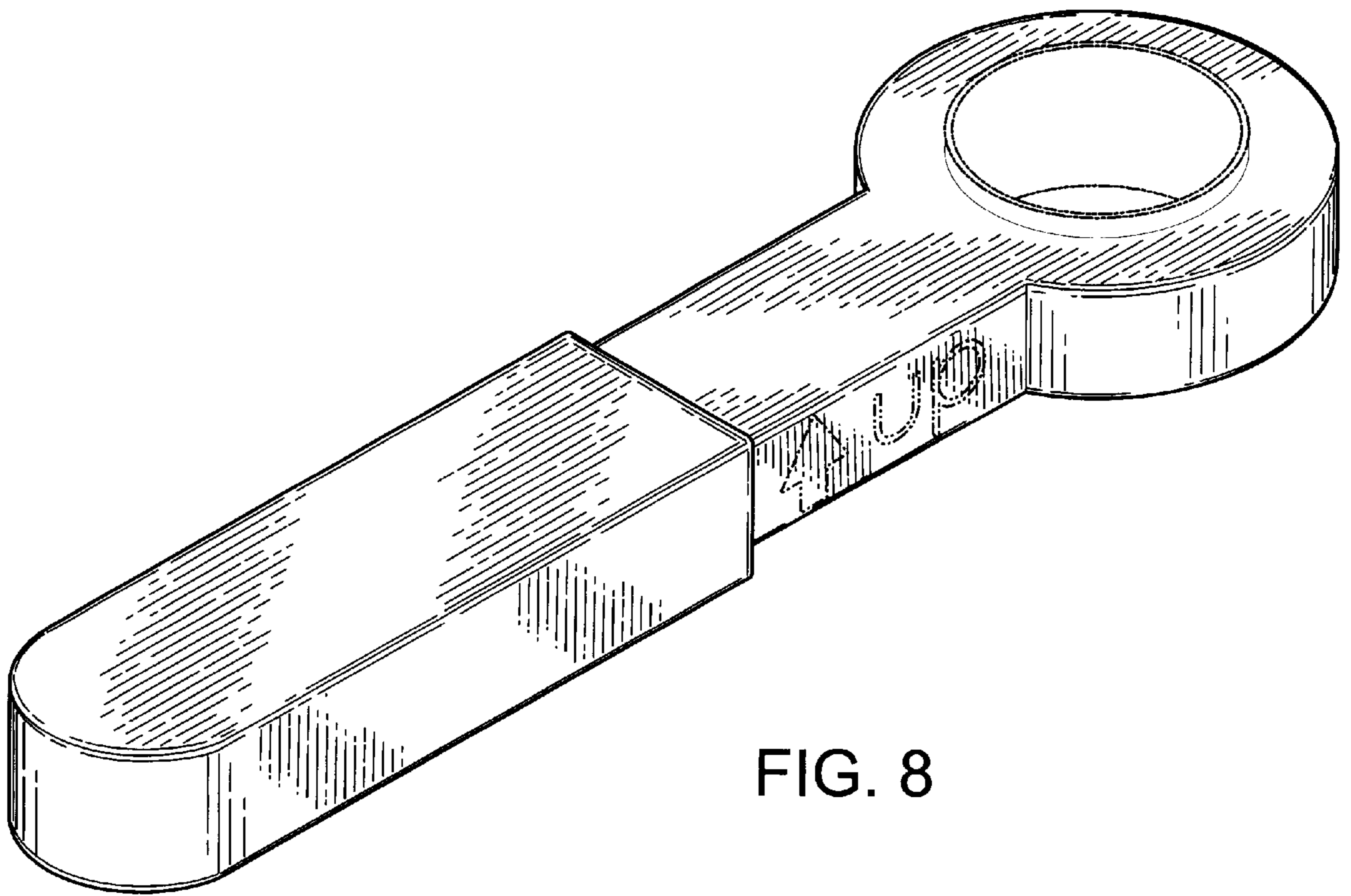


FIG. 8

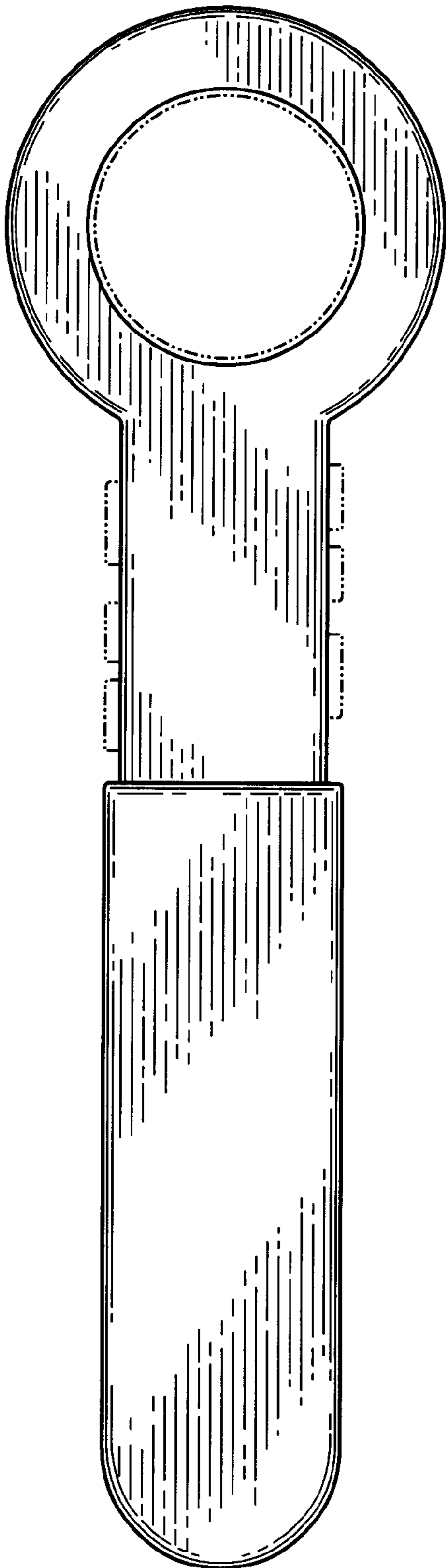


FIG. 9

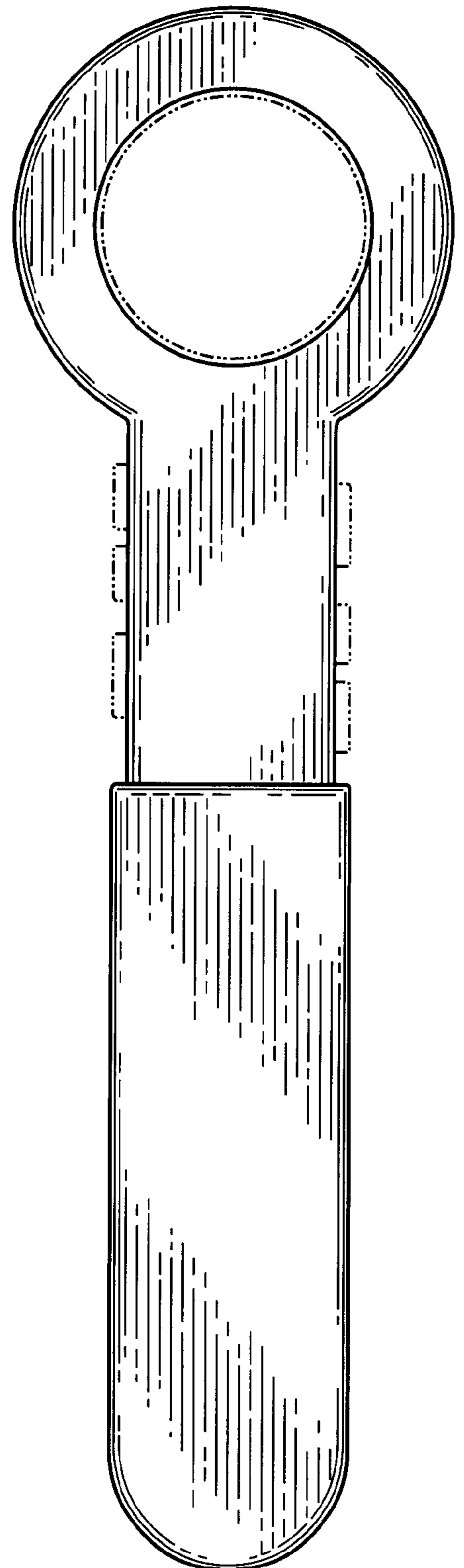


FIG. 10

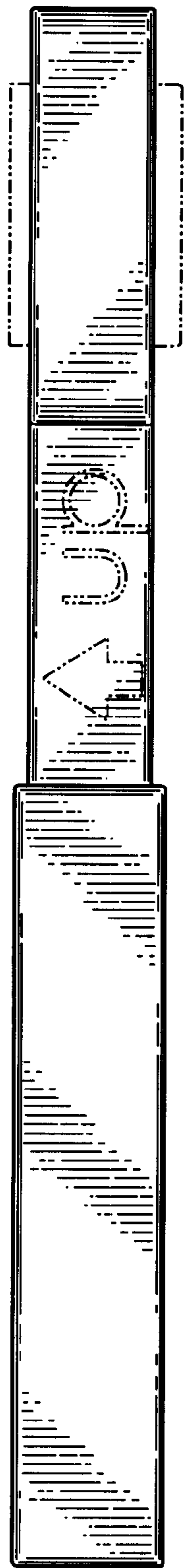


FIG. 11

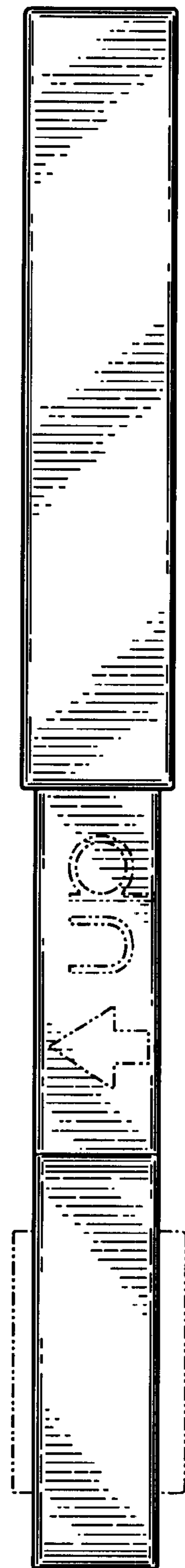


FIG. 12

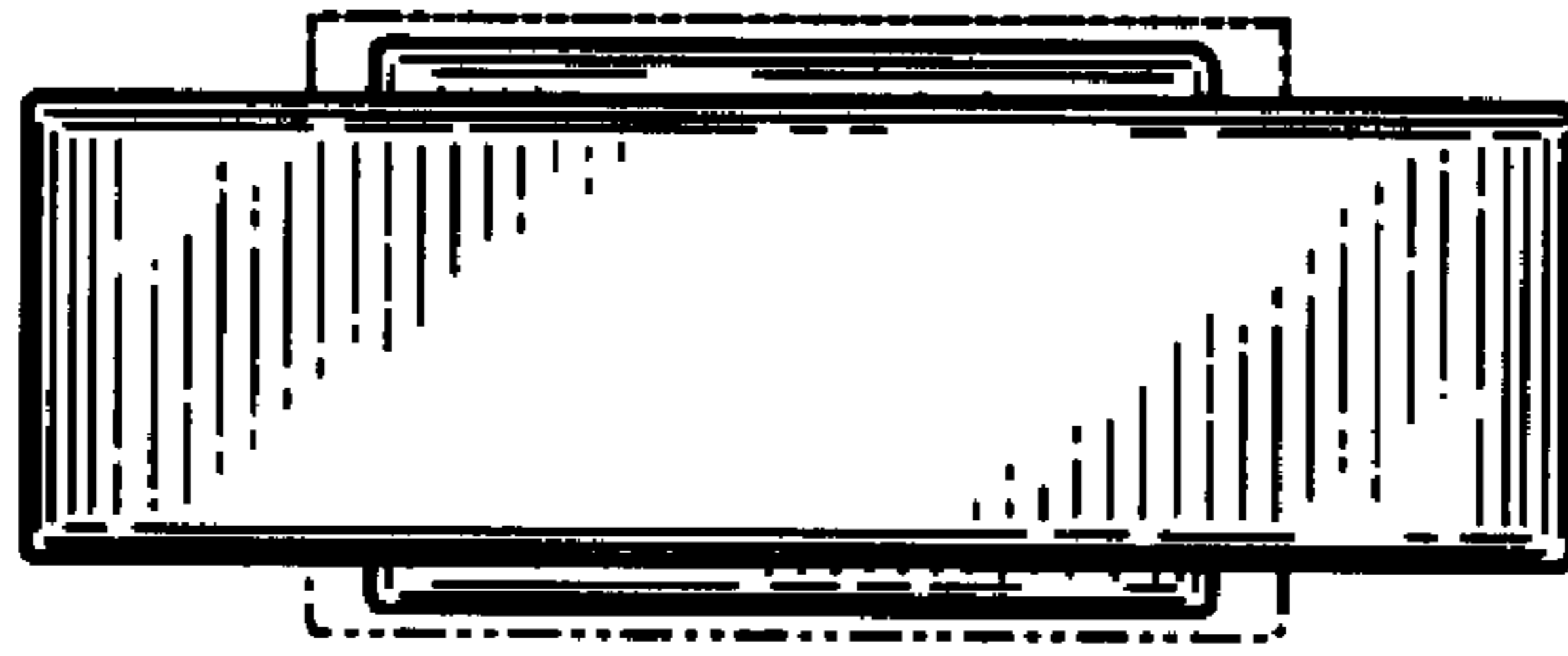


FIG. 13

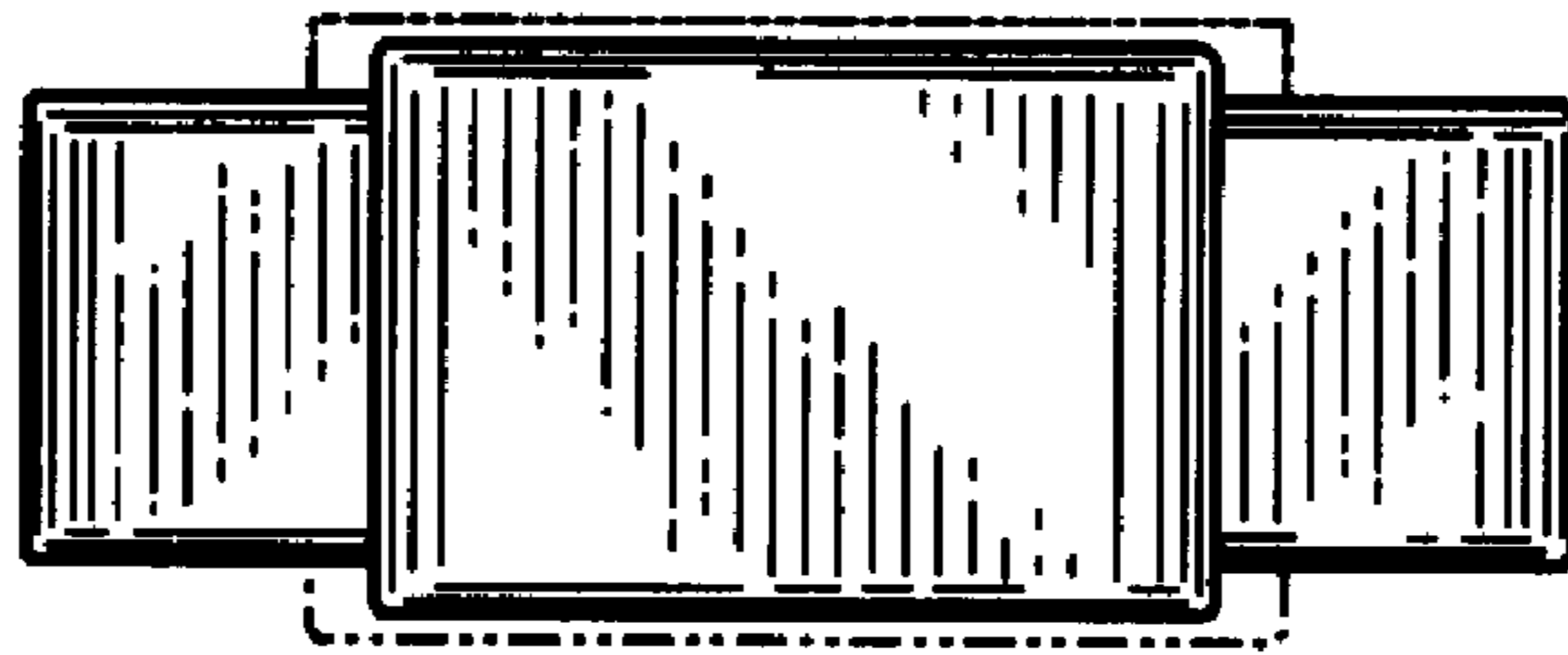


FIG. 14

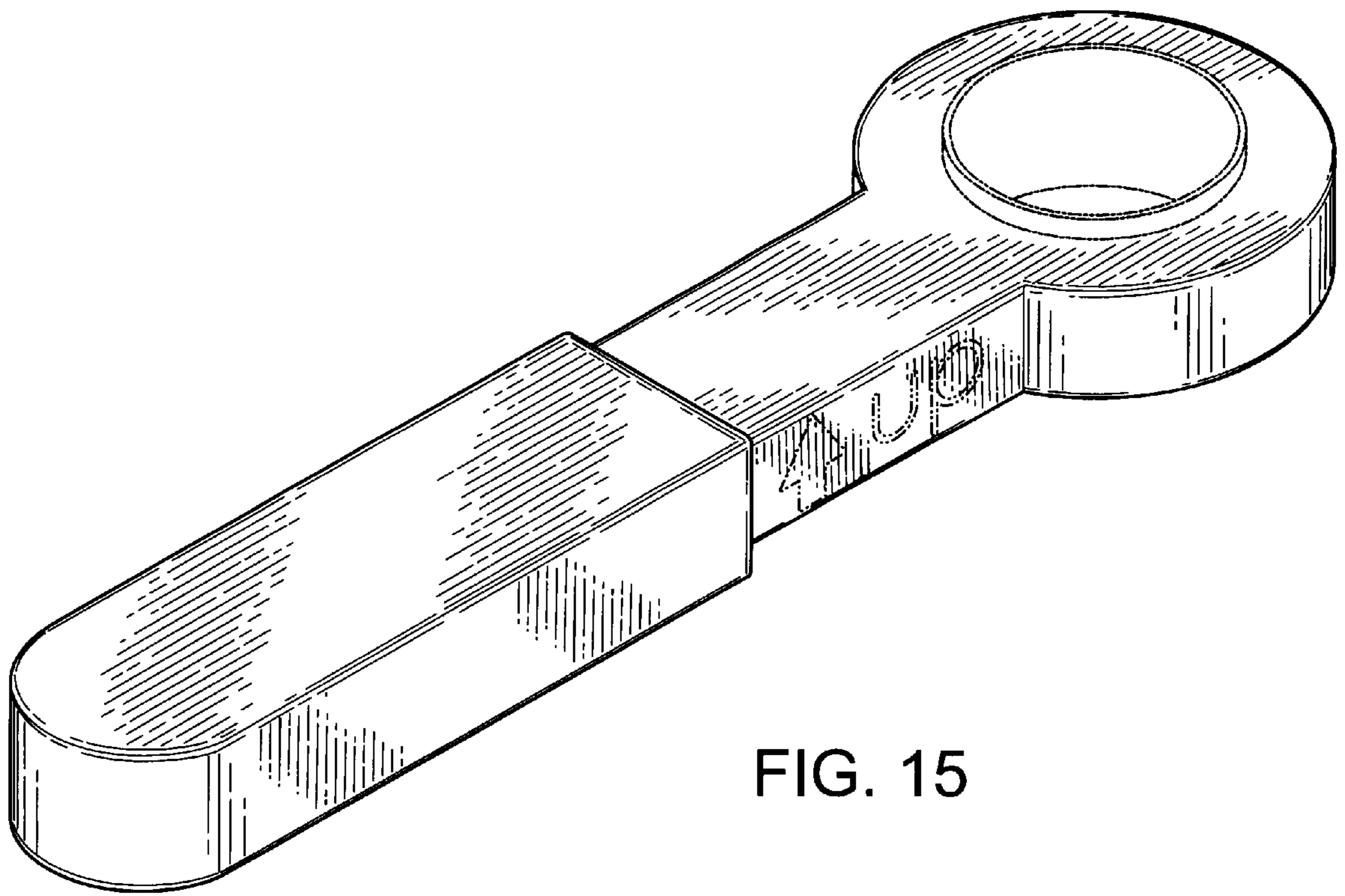


FIG. 15

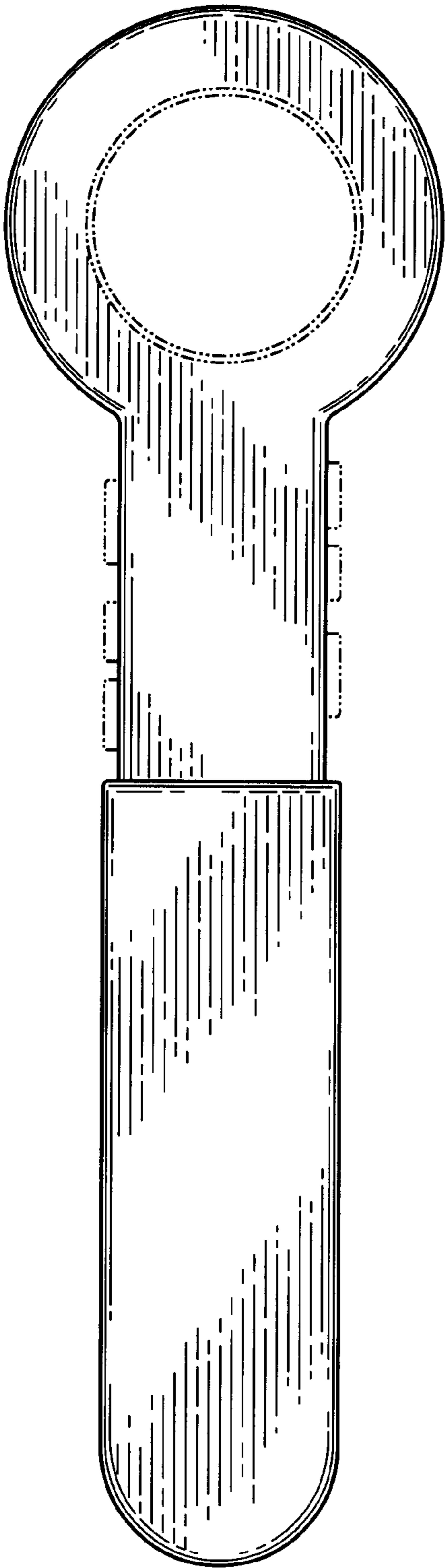


FIG. 16

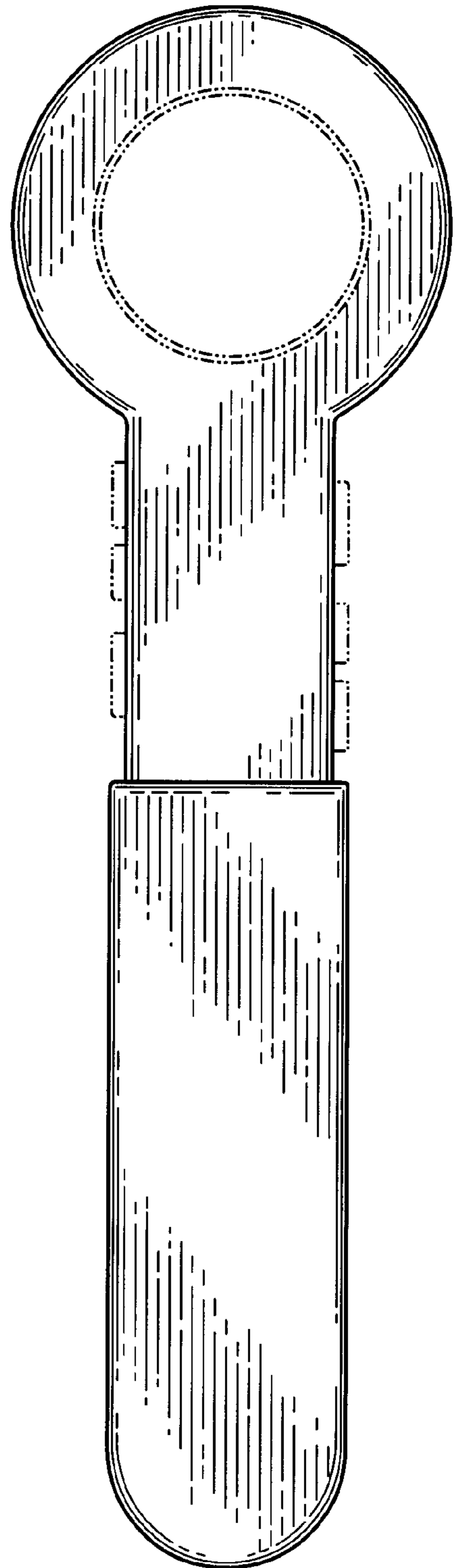


FIG. 17

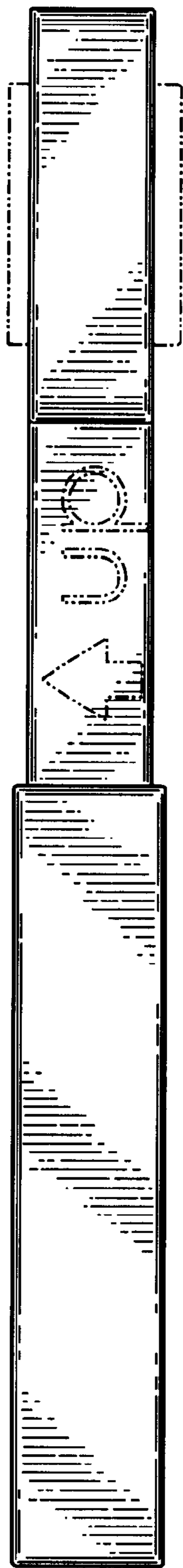


FIG. 18

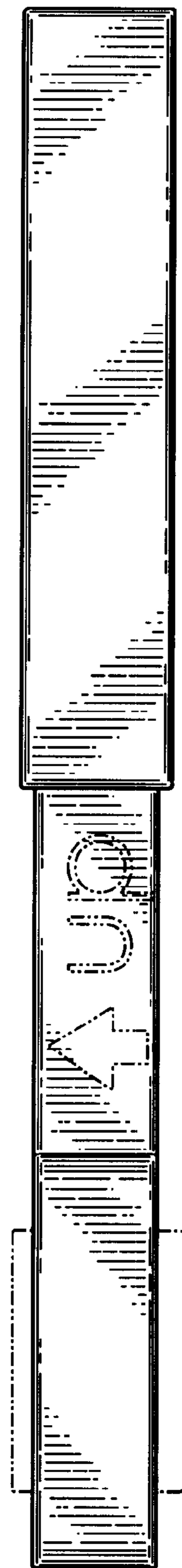


FIG. 19



FIG. 20

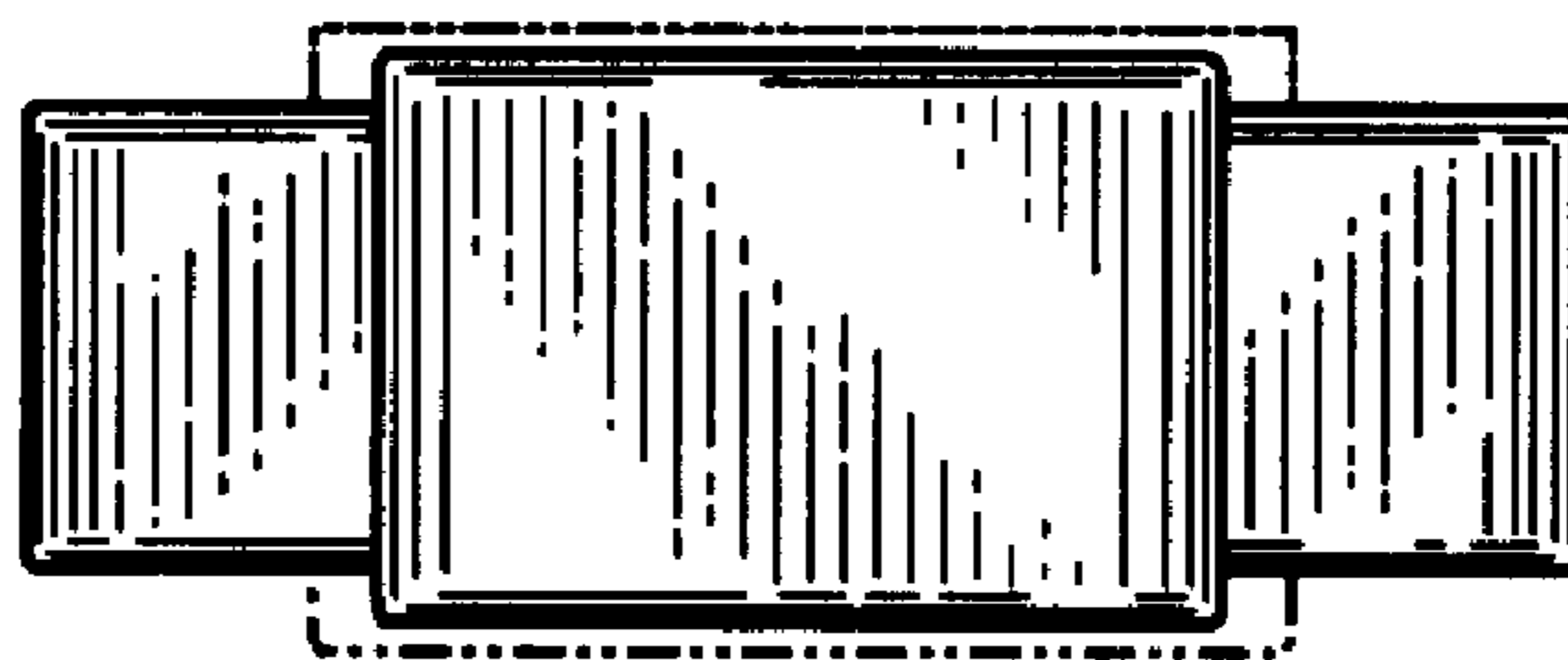


FIG. 21

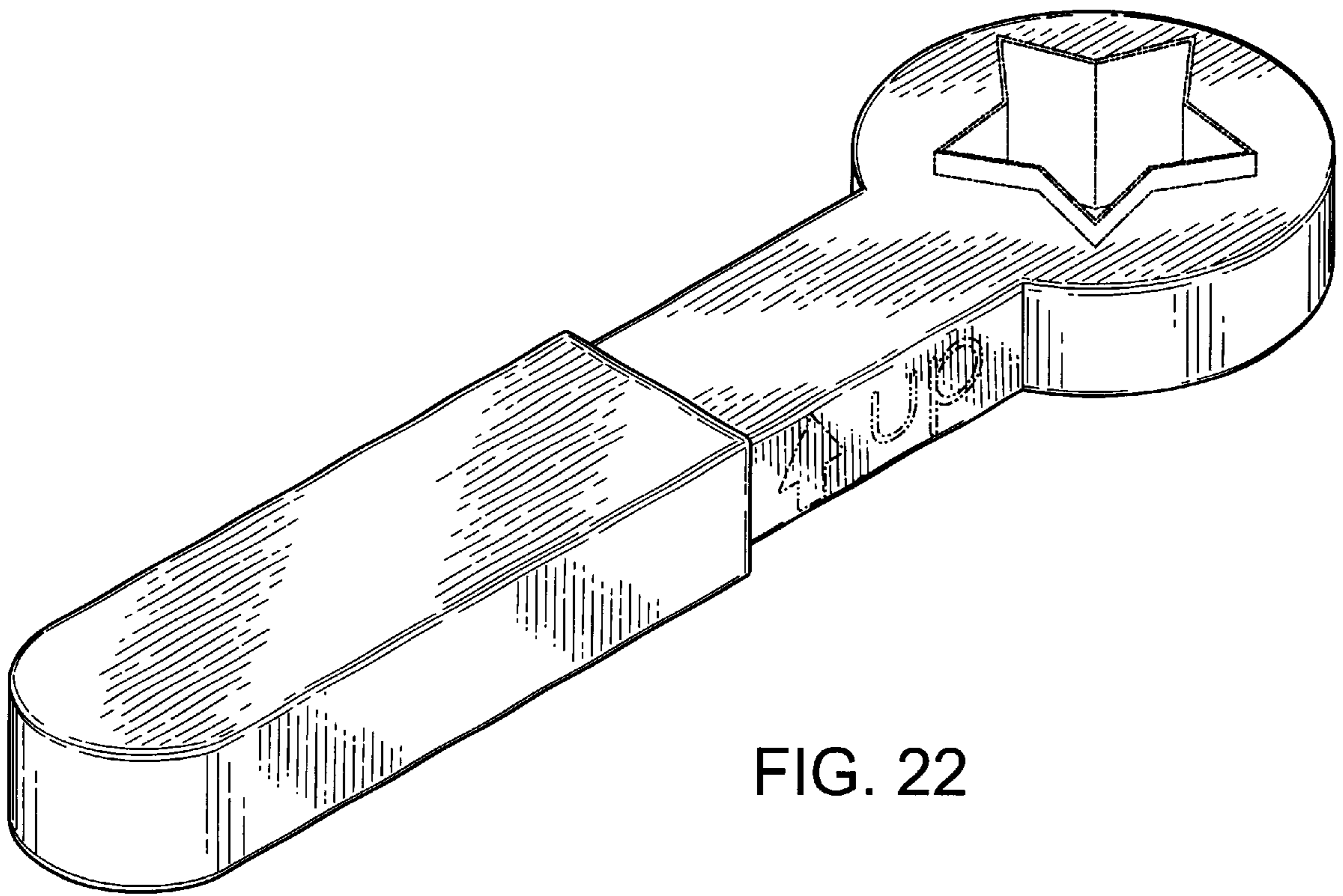


FIG. 22