



US00D480736S

(12) **United States Design Patent**  
**Wright**

(10) **Patent No.:** **US D480,736 S**

(45) **Date of Patent:** **\*\* Oct. 14, 2003**

(54) **ICE TRAY**

(75) **Inventor:** **Sabrena A. Wright, Bellevue, WA (US)**

(73) **Assignee:** **Progressive International Corp., Kent, WA (US)**

(\*\*) **Term:** **14 Years**

(21) **Appl. No.:** **29/171,234**

(22) **Filed:** **Nov. 18, 2002**

(51) **LOC (7) Cl.** ..... **15-07**

(52) **U.S. Cl.** ..... **D15/90**

(58) **Field of Search** ..... D15/90; D7/504, D7/553, 553.3; D3/311-314; D9/341; 249/119, 121, 126, 127-130; 206/561; 62/350, 351

(56) **References Cited**

**U.S. PATENT DOCUMENTS**

1,868,503 A \* 7/1932 Kennedy, Jr. .... 62/350  
2,796,742 A \* 6/1957 Platt ..... 249/129

4,148,457 A \* 4/1979 Gurbin ..... 249/130  
D336,406 S \* 6/1993 Wytiuk ..... D7/504  
D444,480 S \* 7/2001 Shultz et al. .... D15/90  
D451,676 S \* 12/2001 Dembicks ..... D3/313

\* cited by examiner

*Primary Examiner*—Mitchell Siegel

(74) *Attorney, Agent, or Firm*—Black Lowe & Graham PLLC

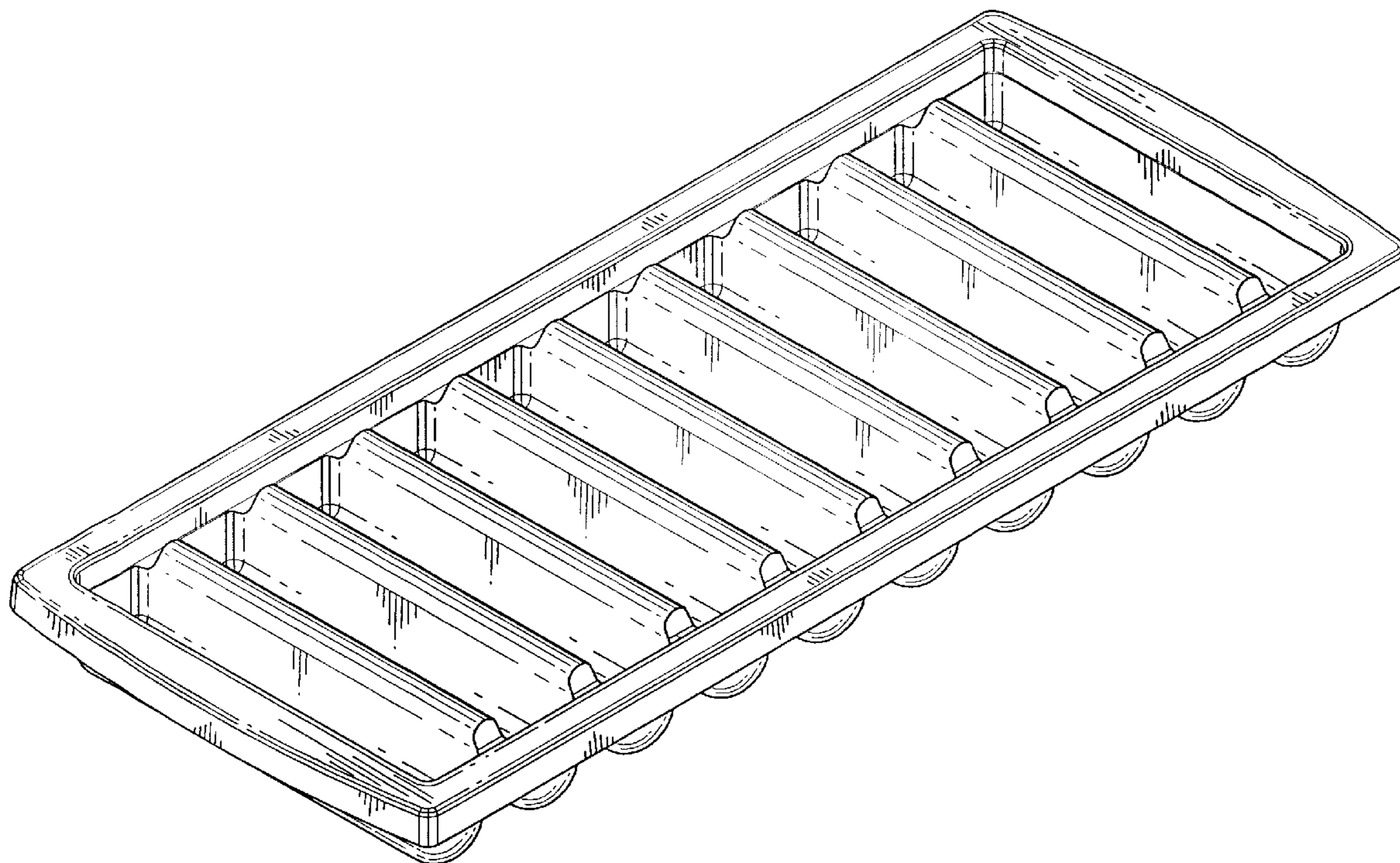
(57) **CLAIM**

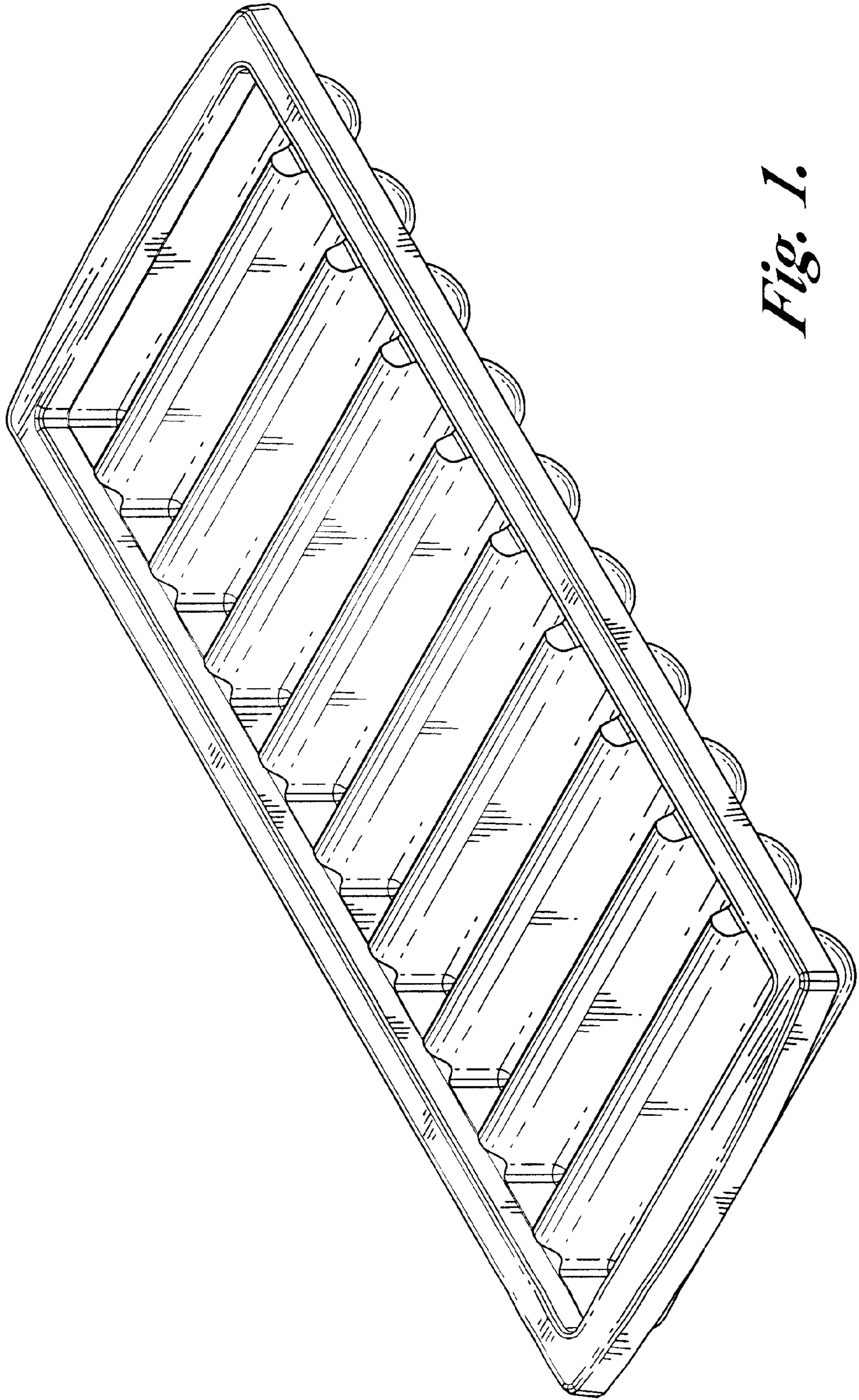
I claim the ornamental design for an ice tray, as shown.

**DESCRIPTION**

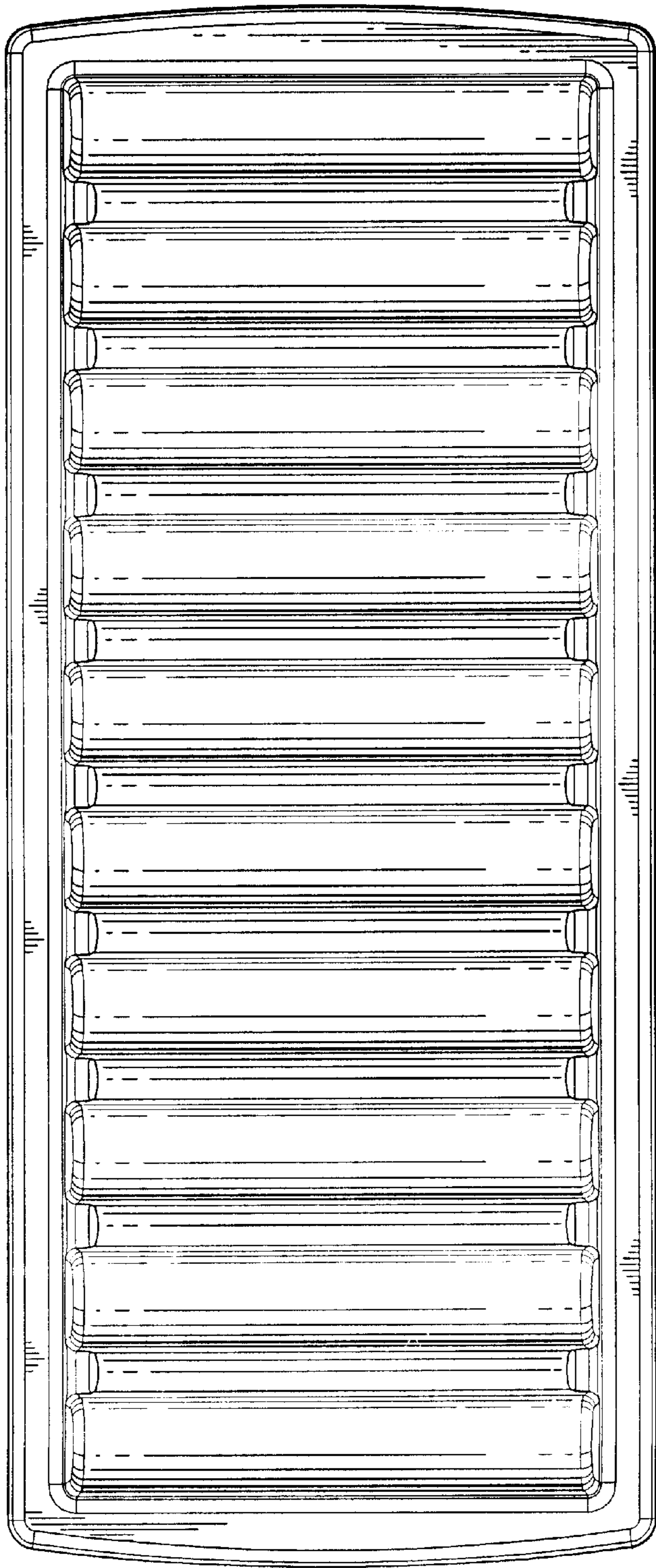
FIG. 1 is an isometric view of the ice tray;  
FIG. 2 is a top plan view;  
FIG. 3 is a left side view, the right side view being substantially identical to the left side view;  
FIG. 4 is a front end view, the back end view being substantially identical to the front end view; and,  
FIG. 5 is a bottom plan view.

**1 Claim, 3 Drawing Sheets**

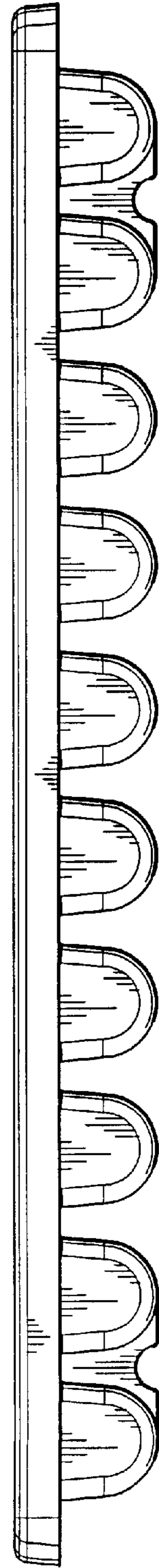




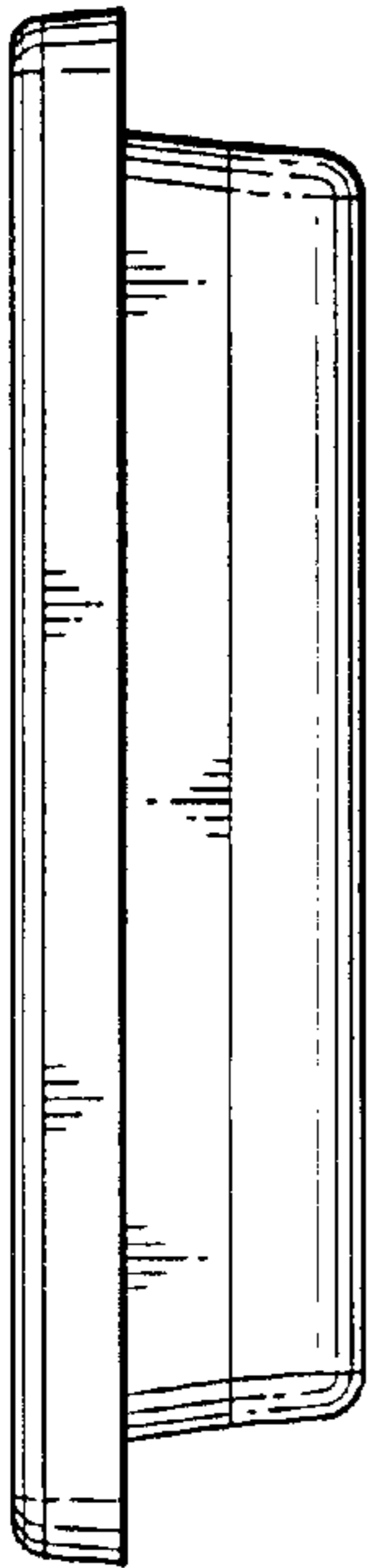
*Fig. 1.*



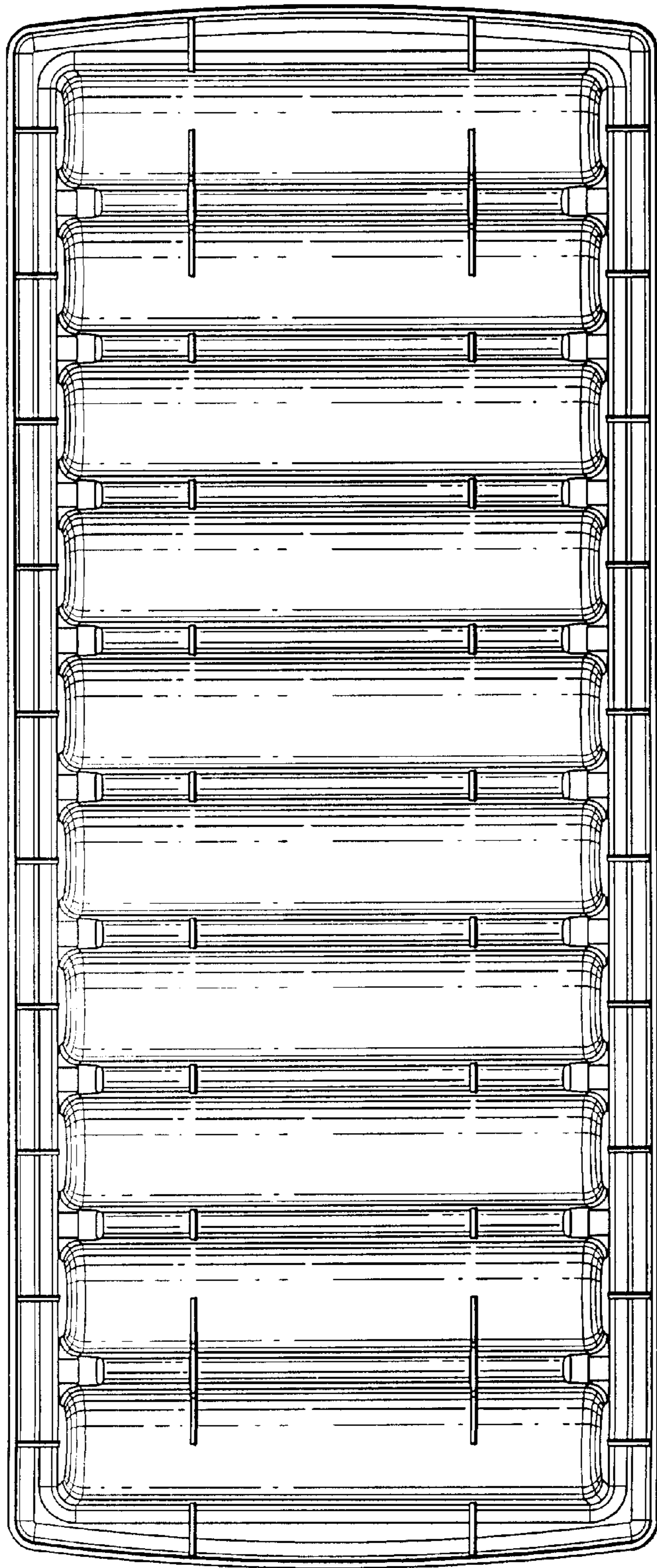
*Fig. 2.*



*Fig. 3.*



*Fig. 4.*



*Fig. 5.*