



US00D480735S

(12) **United States Design Patent**  
**Nishi**

(10) **Patent No.:** **US D480,735 S**

(45) **Date of Patent:** **\*\* Oct. 14, 2003**

(54) **SIDE CUTTER FOR SEWING MACHINE**

(75) Inventor: **Saburo Nishi**, Niigata-Pref. (JP)

(73) Assignee: **Nishi Manufacturing Co., Ltd.**,  
Niigata-pref. (JP)

(\*\*) Term: **14 Years**

(21) Appl. No.: **29/155,563**

(22) Filed: **Feb. 14, 2002**

(30) **Foreign Application Priority Data**

Dec. 13, 2001 (JP) ..... 2001-036703

(51) **LOC (7) Cl.** ..... **15-06**

(52) **U.S. Cl.** ..... **D15/77**

(58) **Field of Search** ..... D15/66, 69, 72,  
D15/77, 78; 112/122, 128, 129, 153

(56) **References Cited**

**U.S. PATENT DOCUMENTS**

2,021,700 A \* 11/1935 Pugach ..... 112/128

2,443,369 A \* 6/1948 Alifano et al. .... 112/128  
4,572,089 A \* 2/1986 Nishi ..... 112/128  
4,984,525 A \* 1/1991 Mori ..... 112/128  
6,460,474 B1 \* 10/2002 Nishi ..... 112/129

\* cited by examiner

*Primary Examiner*—Mitchell Siegel

(74) *Attorney, Agent, or Firm*—Wenderoth, Lind & Ponack,  
L.L.P.

(57) **CLAIM**

The ornamental design for a side cutter for sewing machine,  
as shown.

**DESCRIPTION**

FIG. 1 is a front view of a side cutter for sewing machine  
showing my new design;  
FIG. 2 is a rear view thereof;  
FIG. 3 is a left side view thereof;  
FIG. 4 is a right side view thereof;  
FIG. 5 is a plan view thereof; and,  
FIG. 6 is a bottom view thereof.

**1 Claim, 3 Drawing Sheets**

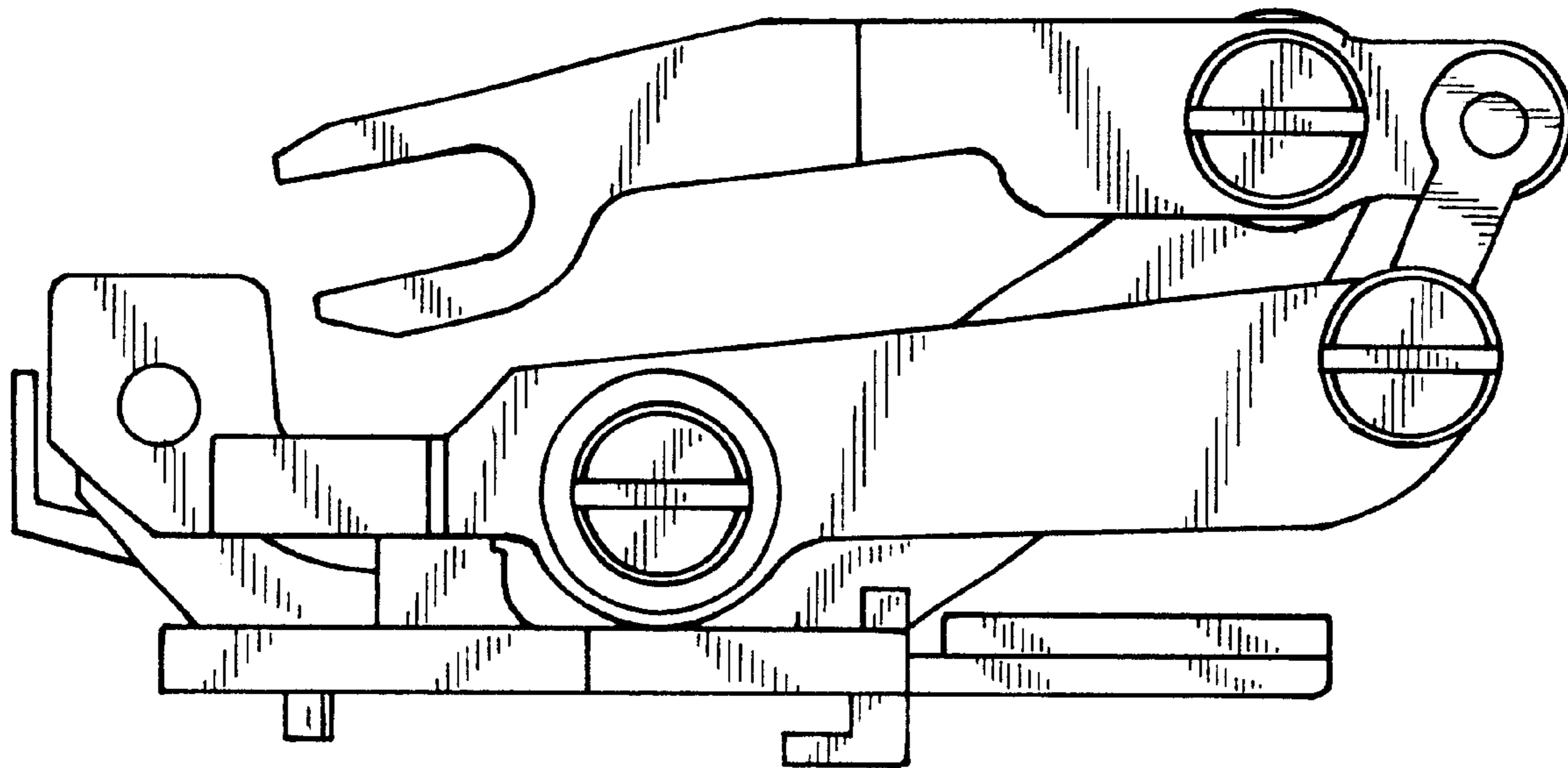


FIG. 1

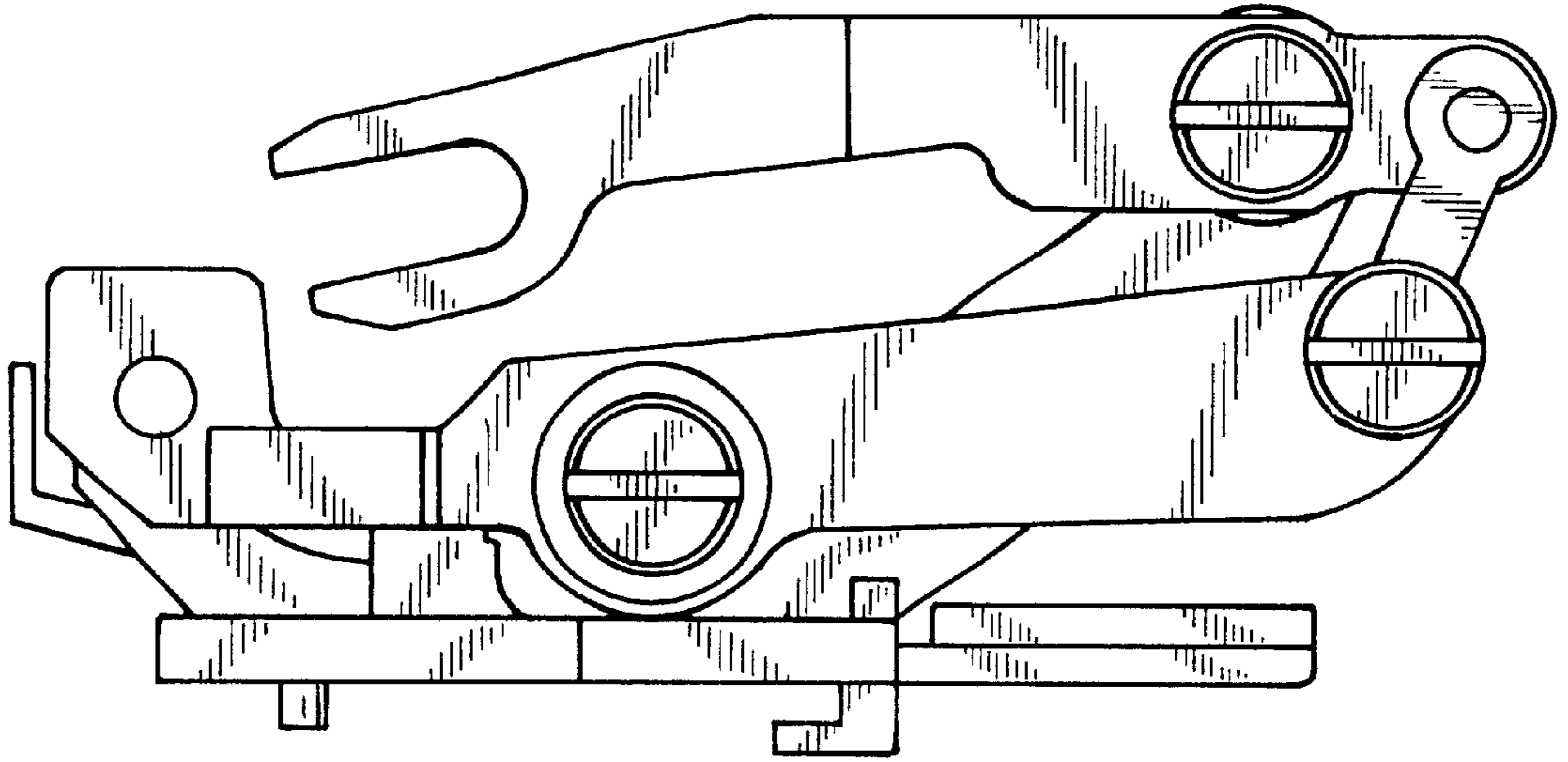


FIG. 2

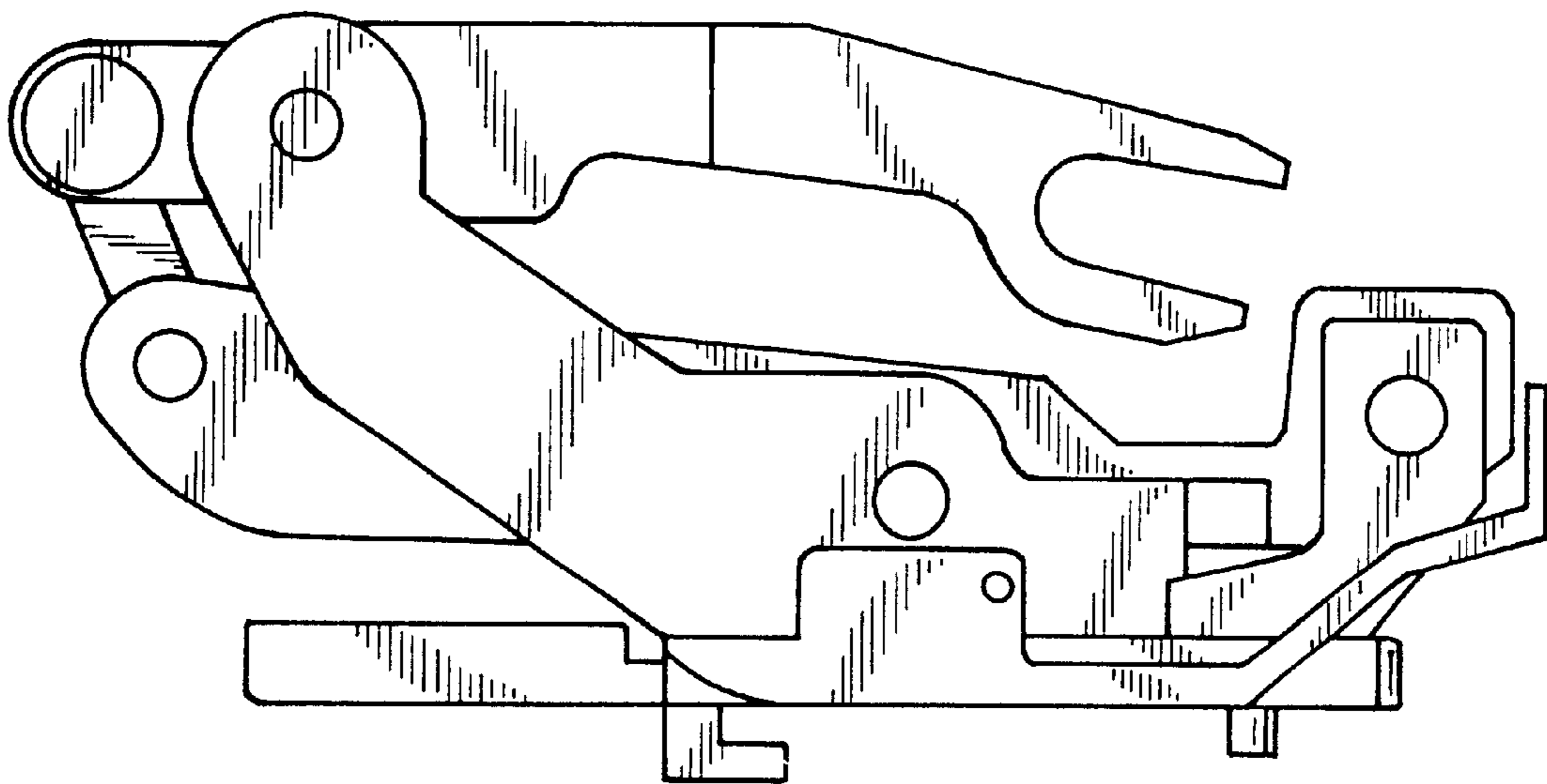


FIG. 3

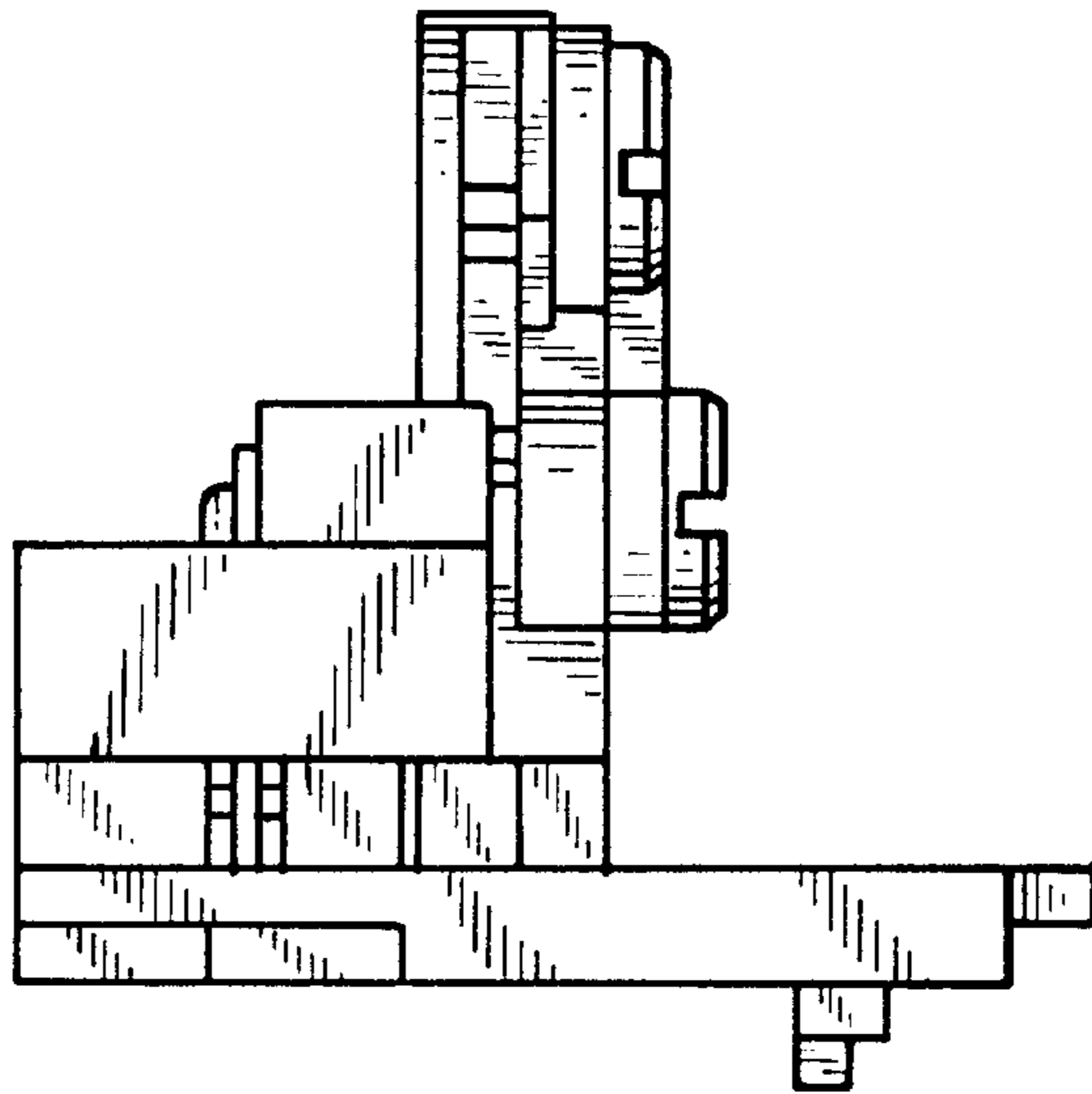


FIG. 4

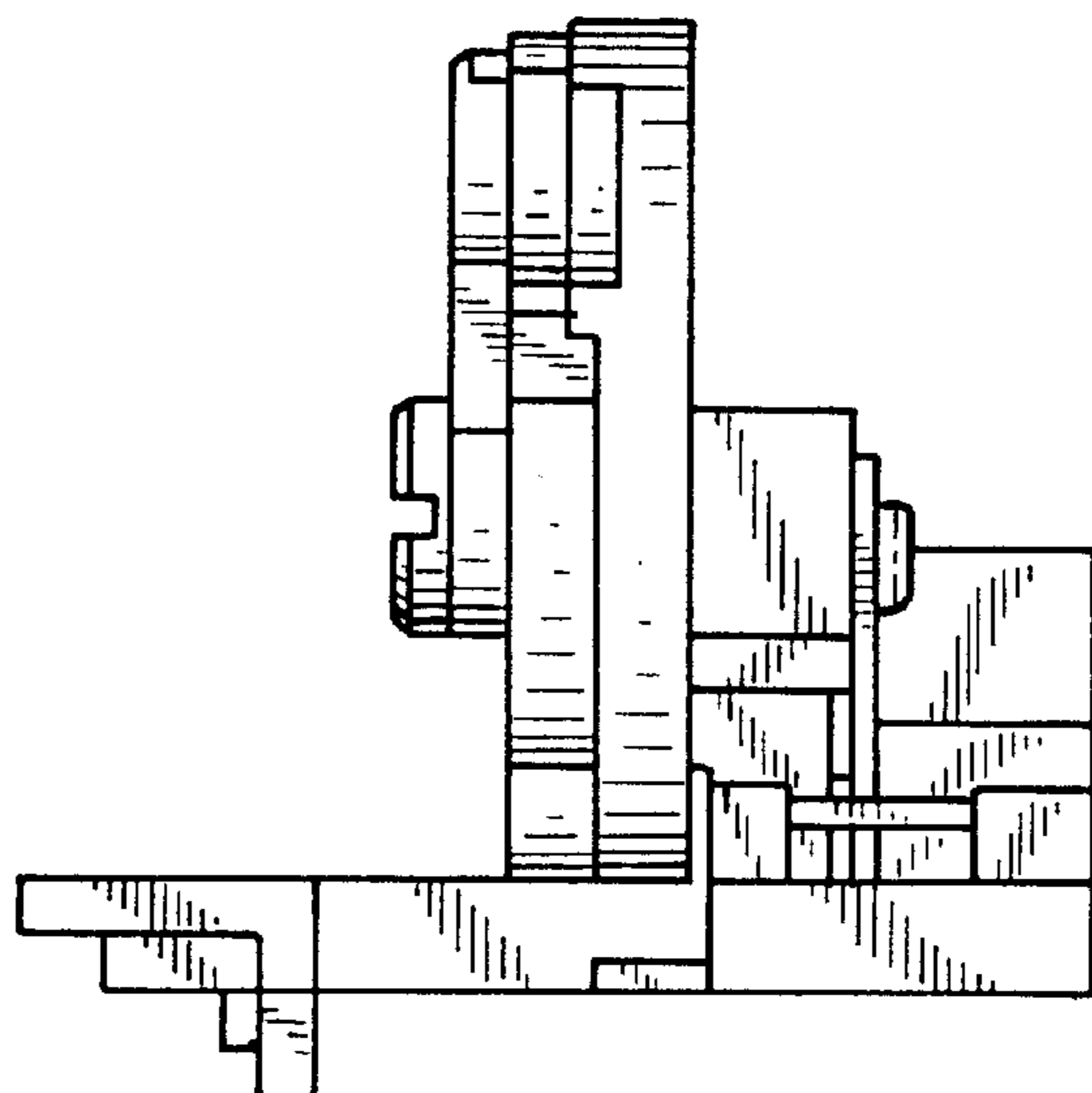


FIG. 5

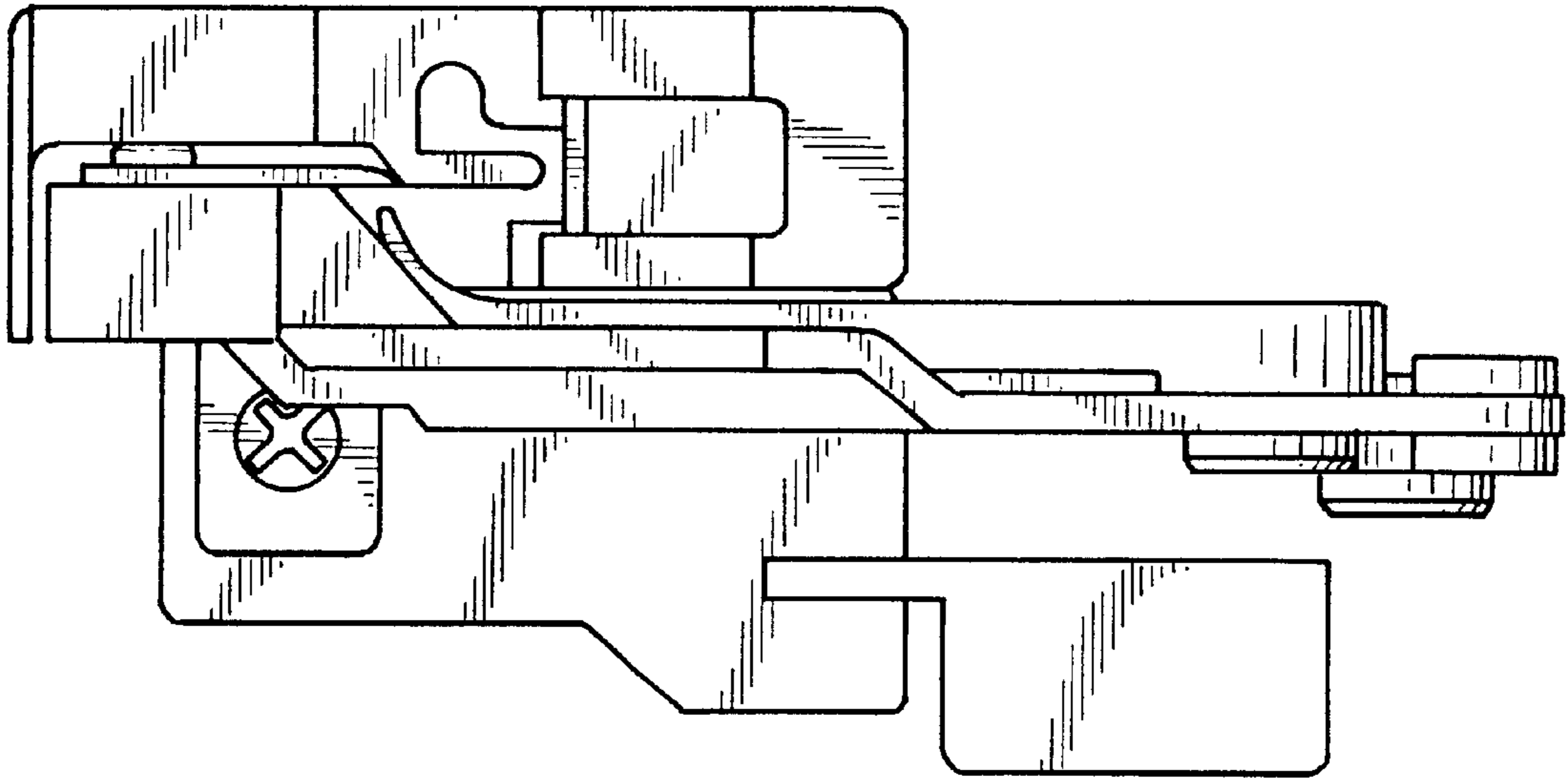


FIG. 6

