



US00D480734S

(12) **United States Design Patent**
Poutre

(10) **Patent No.:** **US D480,734 S**

(45) **Date of Patent:** **** Oct. 14, 2003**

(54) **CULTIVATOR SWEEP**

(75) Inventor: **Benoit Jocelyn Poutre**, Elkhart, IA
(US)

(73) Assignee: **Deere & Company**, Moline, IL (US)

(**) Term: **14 Years**

(21) Appl. No.: **29/167,496**

(22) Filed: **Sep. 13, 2002**

(51) **LOC (7) Cl.** **15-03**

(52) **U.S. Cl.** **D15/29**

(58) **Field of Search** D15/10, 11, 22-26,
D15/28, 29; 172/730, 720, 722, 724; 111/124,
150, 152

(56) **References Cited**

U.S. PATENT DOCUMENTS

104,574 A *	6/1870	Miner	172/730
147,633 A *	2/1874	Haiman	172/730
1,648,843 A *	11/1927	Francis	172/730
1,787,366 A *	12/1930	Fountain	172/722
2,351,388 A *	6/1944	Baxter	172/720
2,595,353 A *	5/1952	Graham	172/730
3,038,424 A *	6/1962	Johnson	111/124
4,446,801 A *	5/1984	Machnee et al.	111/152
D277,862 S *	3/1985	Johnson et al.	D15/29
4,583,599 A	4/1986	Anderson	172/730
D288,689 S *	3/1987	Johnson	D15/29

4,787,462 A	11/1988	Nichols	172/730
5,979,568 A *	11/1999	Parish	172/724
5,983,813 A *	11/1999	Swab et al.	111/150

OTHER PUBLICATIONS

Photo of Herschel Adams sweep, one page, date unknown.

* cited by examiner

Primary Examiner—Mitchell Siegel

(57) **CLAIM**

The ornamental design for a cultivator sweep, as shown and described.

DESCRIPTION

FIG. 1 is a front right perspective view of a cultivator sweep showing our new design.

FIG. 2 is a top view of the cultivator sweep design of FIG. 1.

FIG. 3 is a front view of the cultivator sweep design of FIG. 1.

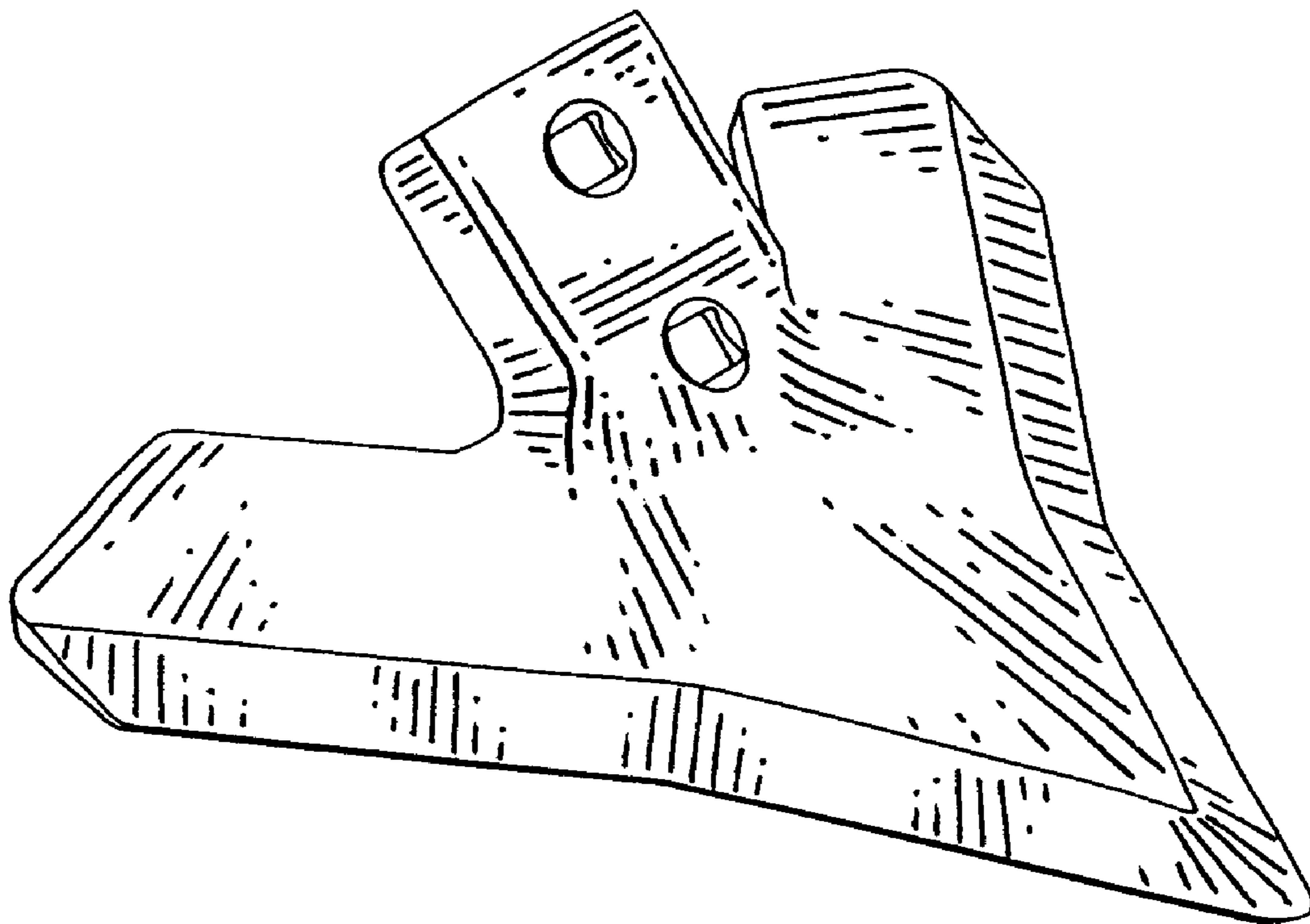
FIG. 4 is a rear view of the cultivator sweep design of FIG. 1.

FIG. 5 is a bottom view of the cultivator sweep design of FIG. 1.

FIG. 6 is a right side view of the cultivator sweep design of FIG. 1; and,

FIG. 7 is a left side view of the cultivator sweep design of FIG. 1.

1 Claim, 1 Drawing Sheet



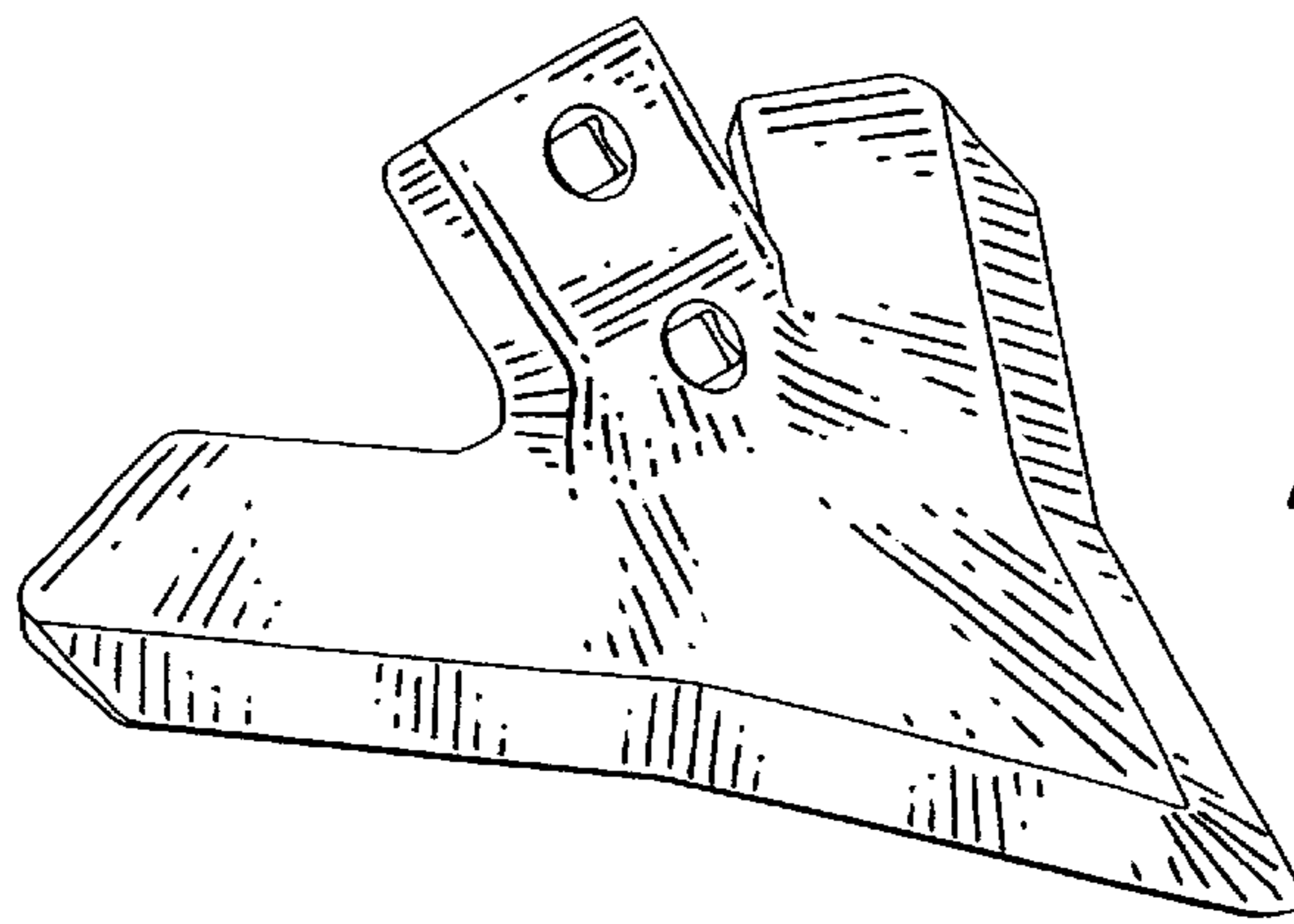


Fig. 1

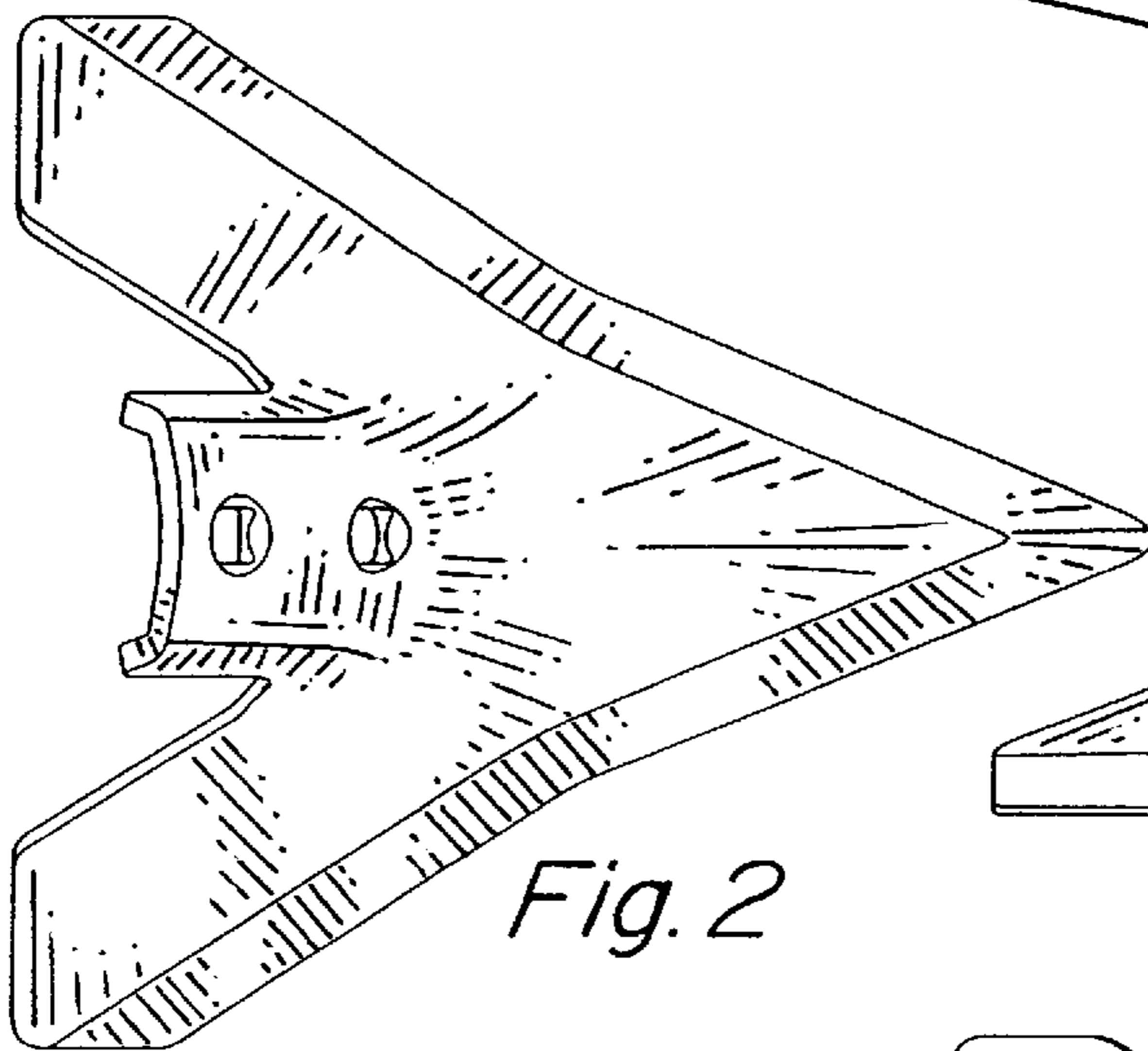


Fig. 2

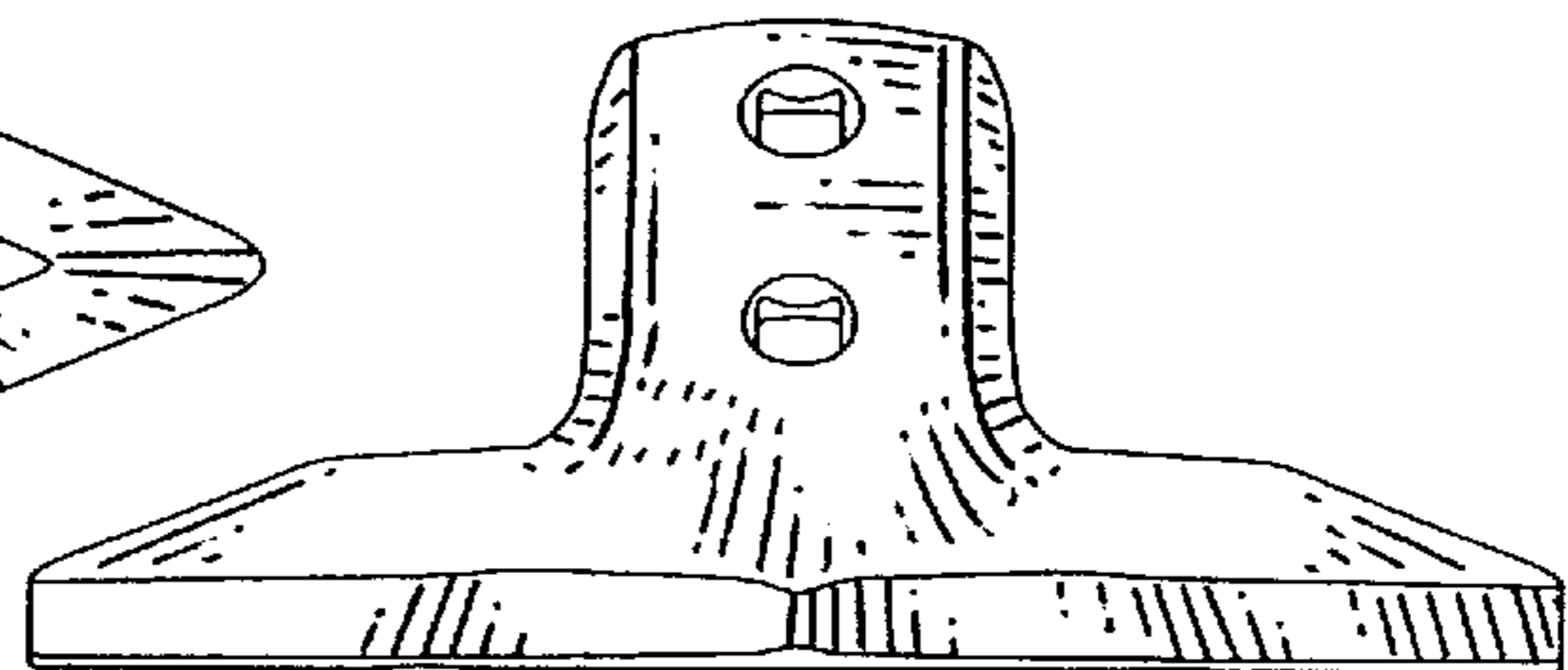


Fig. 3

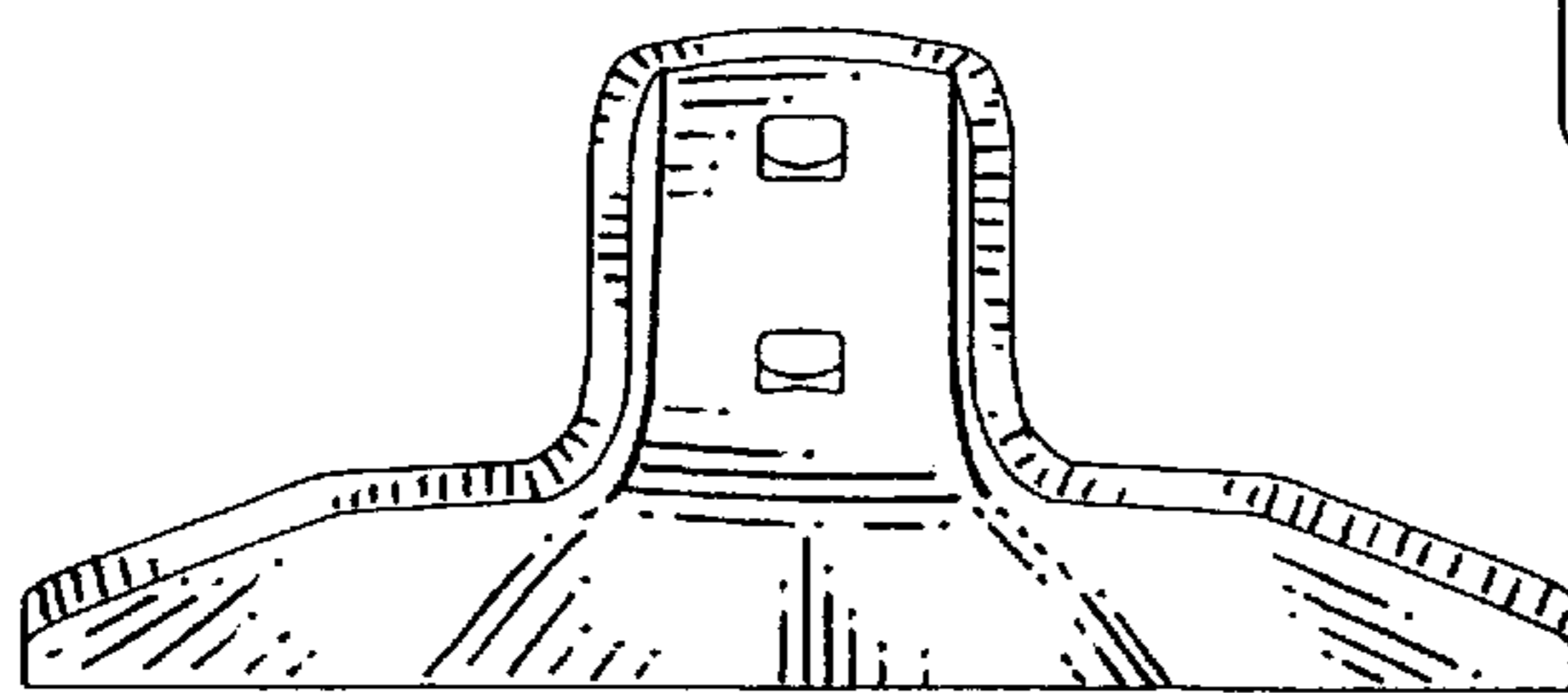


Fig. 4

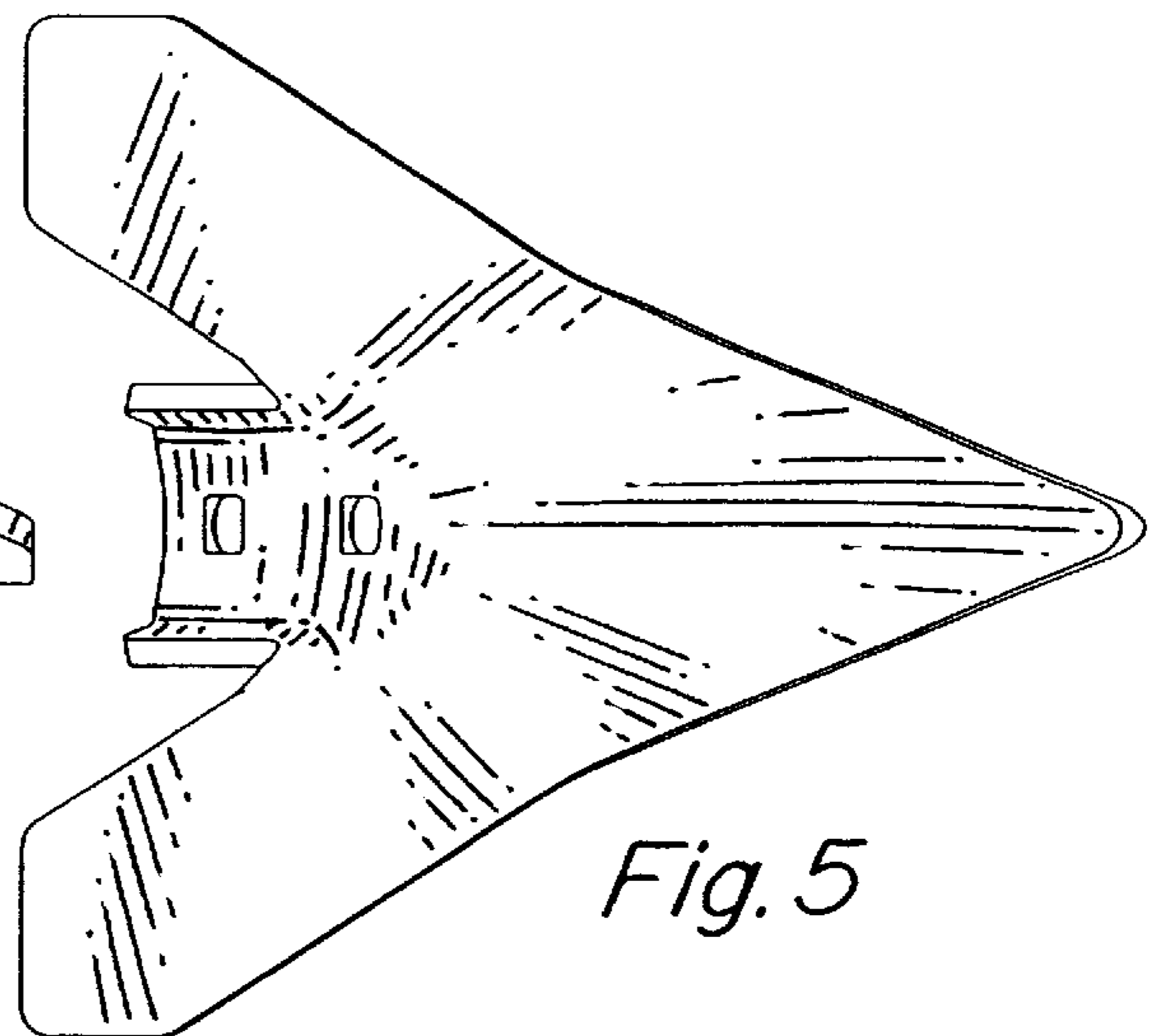


Fig. 5

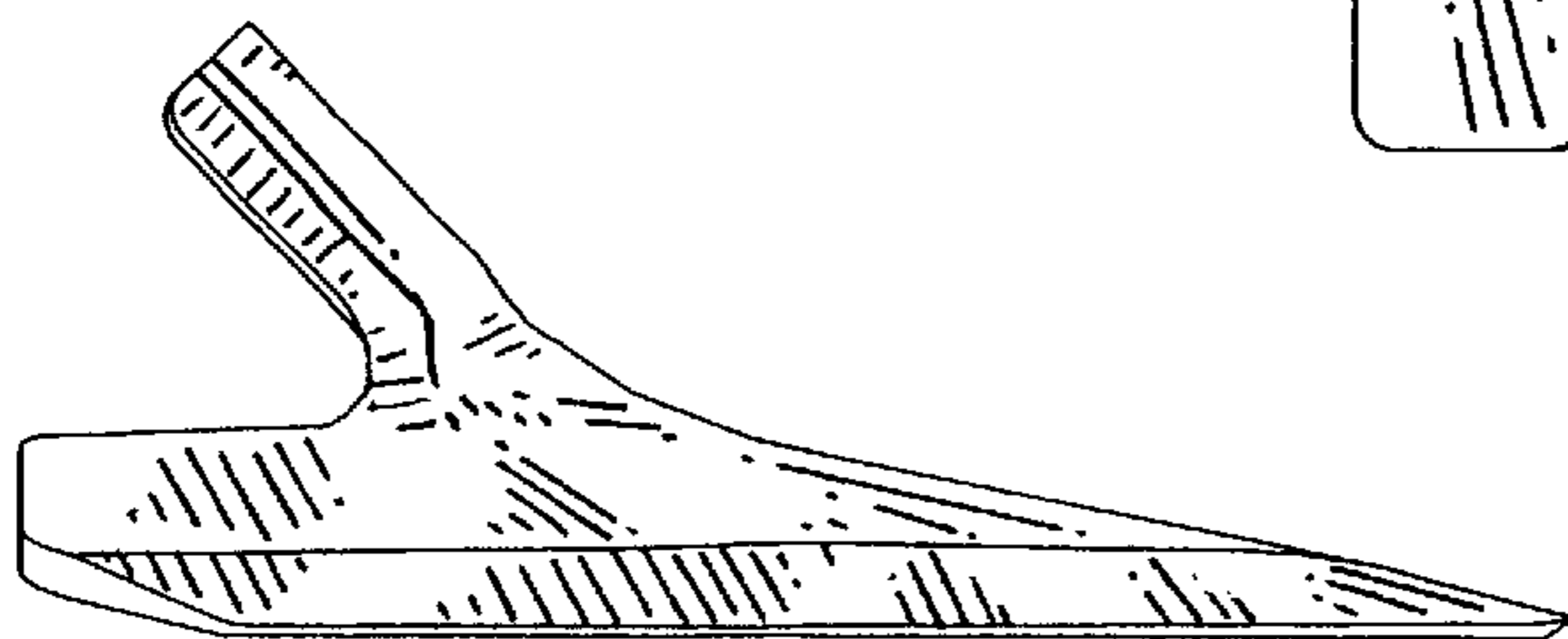


Fig. 6

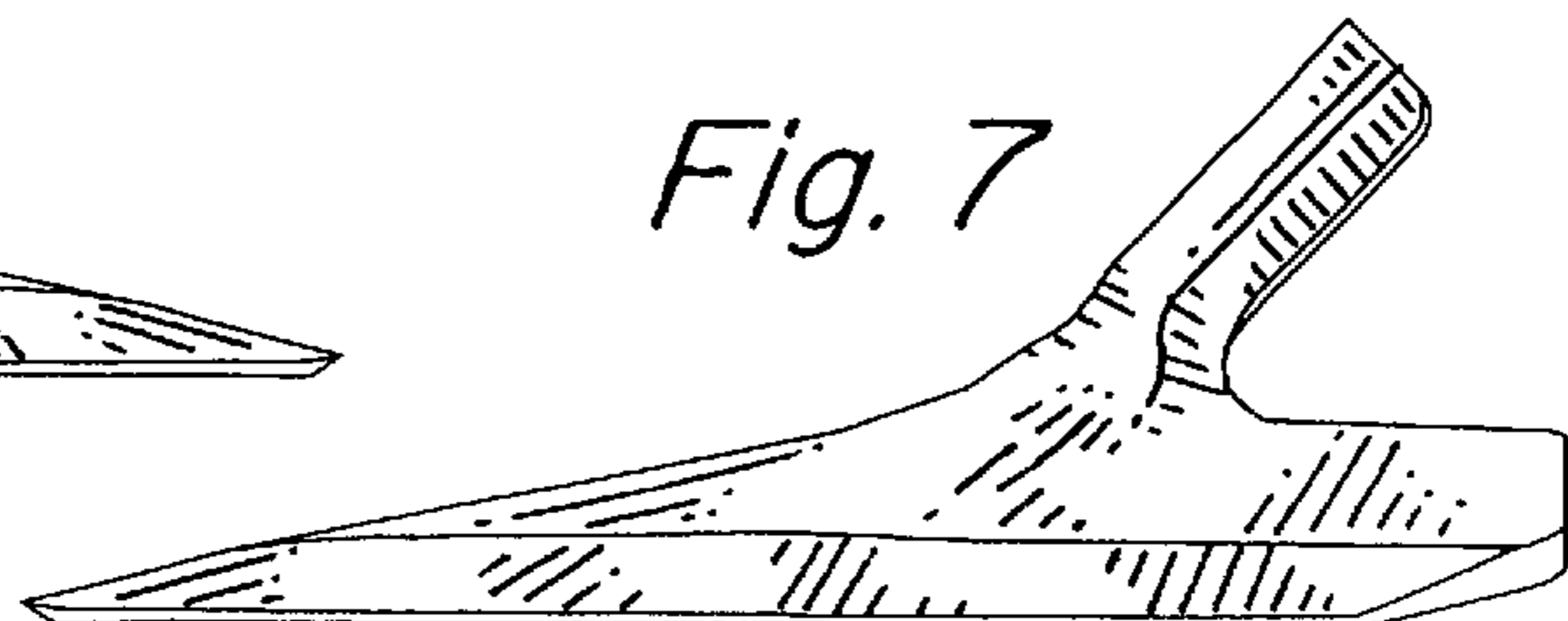


Fig. 7