



US00D480730S

(12) **United States Design Patent**  
**Doherty et al.**

(10) **Patent No.:** **US D480,730 S**

(45) **Date of Patent:** **\*\* Oct. 14, 2003**

(54) **EXPANSION BASE FOR A SLATE OR  
TABLET TYPE COMPUTING DEVICE**

D461,817 S \* 8/2002 Goto ..... D14/451  
D462,358 S \* 9/2002 Mah ..... D14/447

(75) Inventors: **John Doherty**, Austin, TX (US);  
**Jefferson Blake West**, Austin, TX  
(US); **Philip Leveridge**, Austin, TX  
(US); **David Altounian**, Austin, TX  
(US); **David Cutherell**, Austin, TX  
(US)

\* cited by examiner

*Primary Examiner*—Kay H. Chin  
(74) *Attorney, Agent, or Firm*—William N. Hulsey, III;  
Hulsey & Calkins, LLP

(73) Assignee: **Motion Computing, Inc.**, Austin, TX  
(US)

(57) **CLAIM**

The ornamental design for an expansion base for a slate or  
tablet type computing device, as shown and described.

(\*\*) Term: **14 Years**

**DESCRIPTION**

(21) Appl. No.: **29/162,680**

FIG. 1 is a perspective view of an expansion base for a slate or  
tablet type computing device showing our new design;

(22) Filed: **Jun. 19, 2002**

FIG. 2 is a rear perspective view thereof;

(51) **LOC (7) Cl.** ..... **14-02**

FIG. 3 is a right side elevation view thereof;

(52) **U.S. Cl.** ..... **D14/447; D14/451**

FIG. 4 is a left side elevation view thereof;

(58) **Field of Search** ..... D14/439, 447,  
D14/451, 457, 455; 248/676, 441.1, 442.2,  
125.1, 127, 133, 177.1, 178.1, 179.1, 183.1,  
346.01, 346.02, 188.2, 917-924; 361/679-685

FIG. 5 is a rear elevation view thereof;

FIG. 6 is a front elevation view thereof; and,

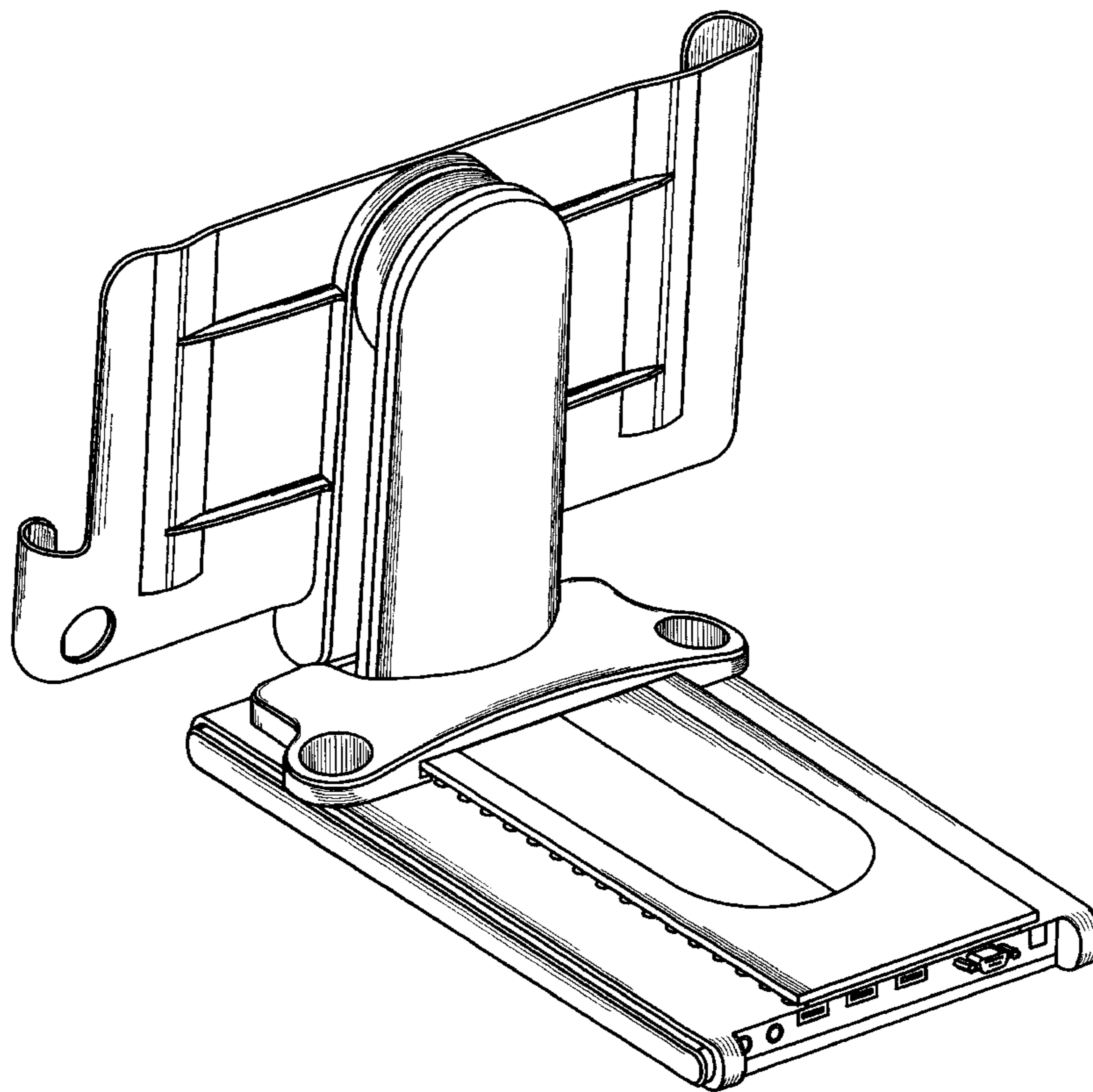
FIG. 7 is a top plan view thereof.

(56) **References Cited**

**U.S. PATENT DOCUMENTS**

D415,742 S \* 10/1999 Kolls ..... D14/434

**1 Claim, 5 Drawing Sheets**



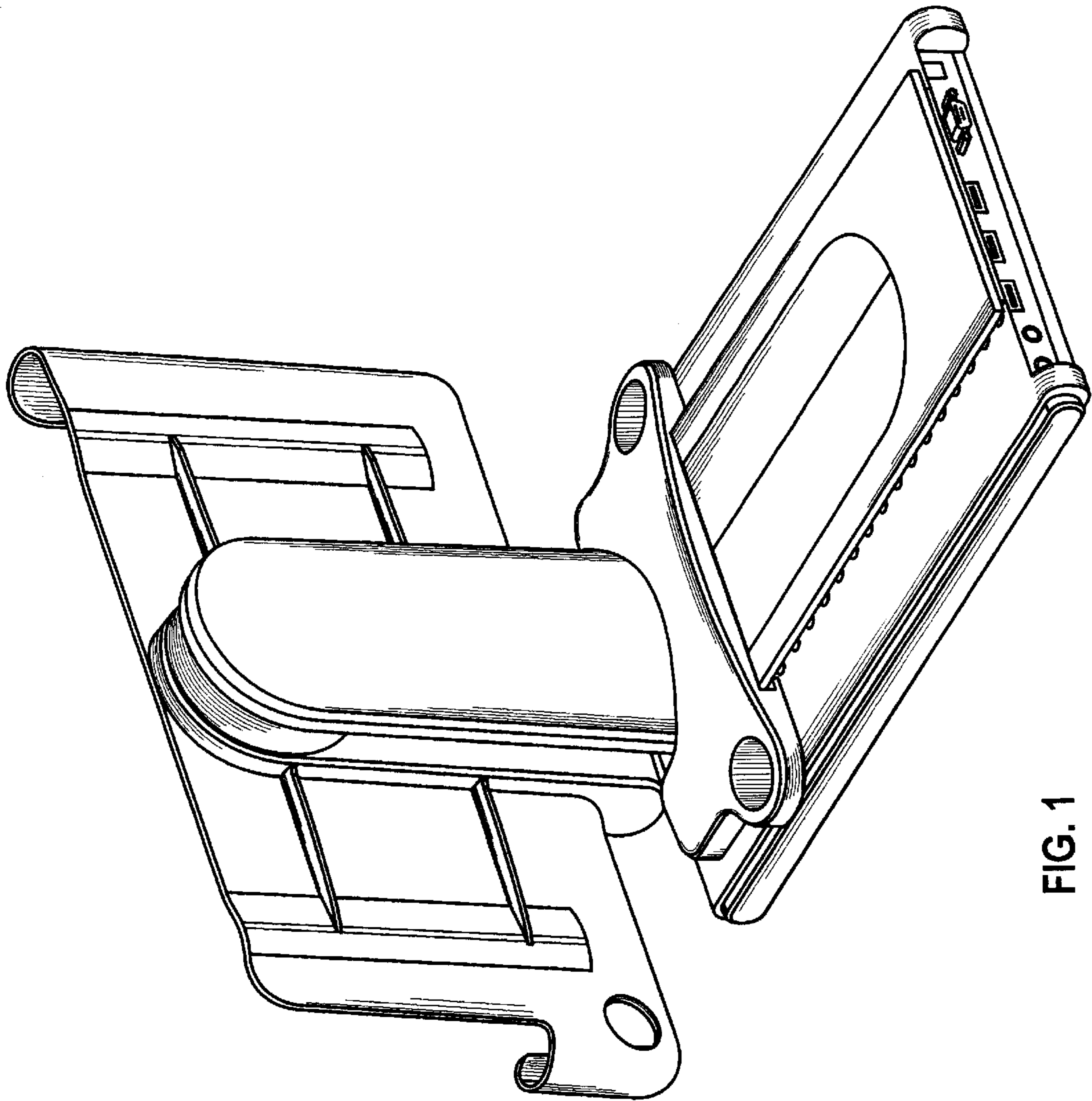


FIG. 1

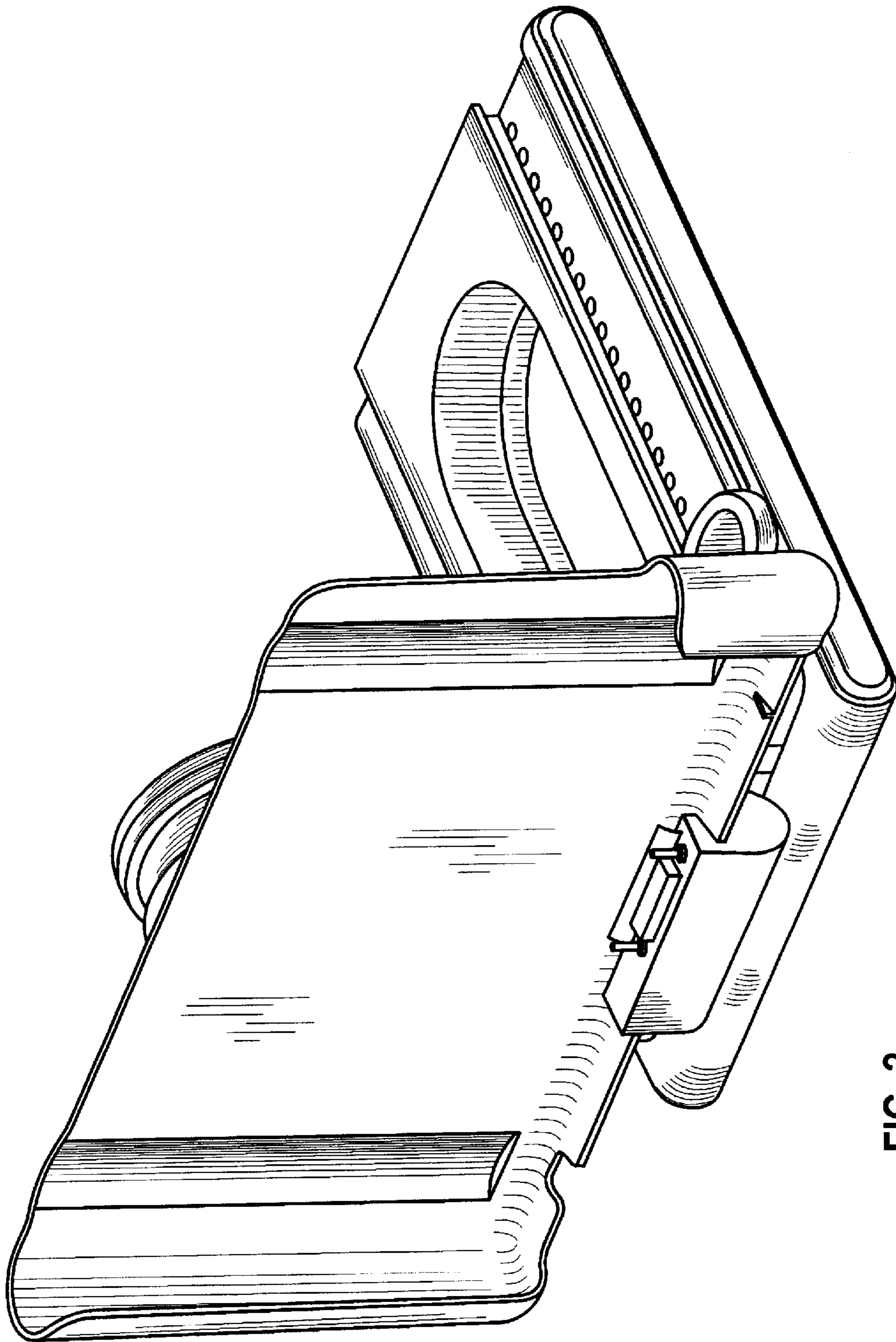


FIG. 2

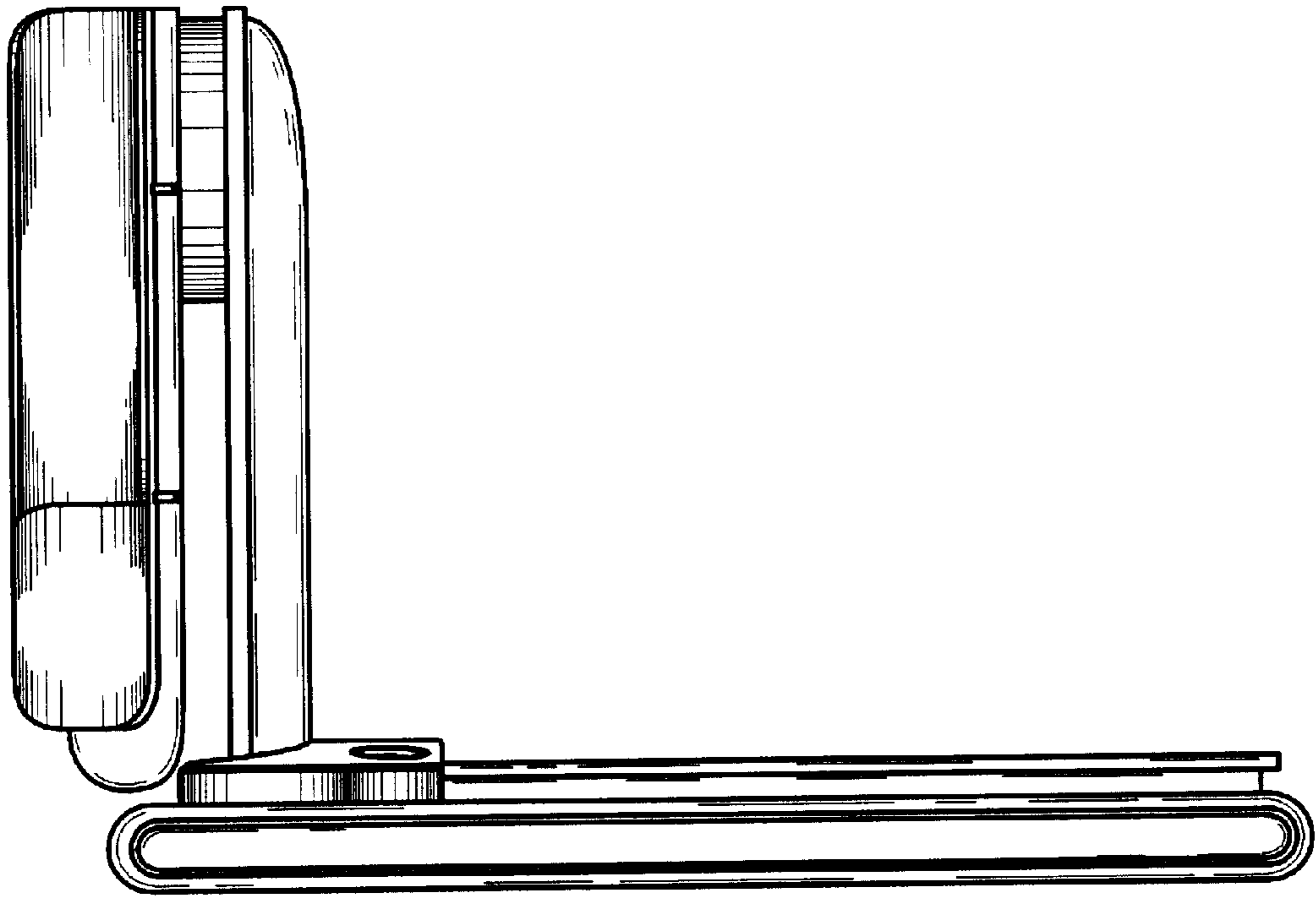


FIG. 3

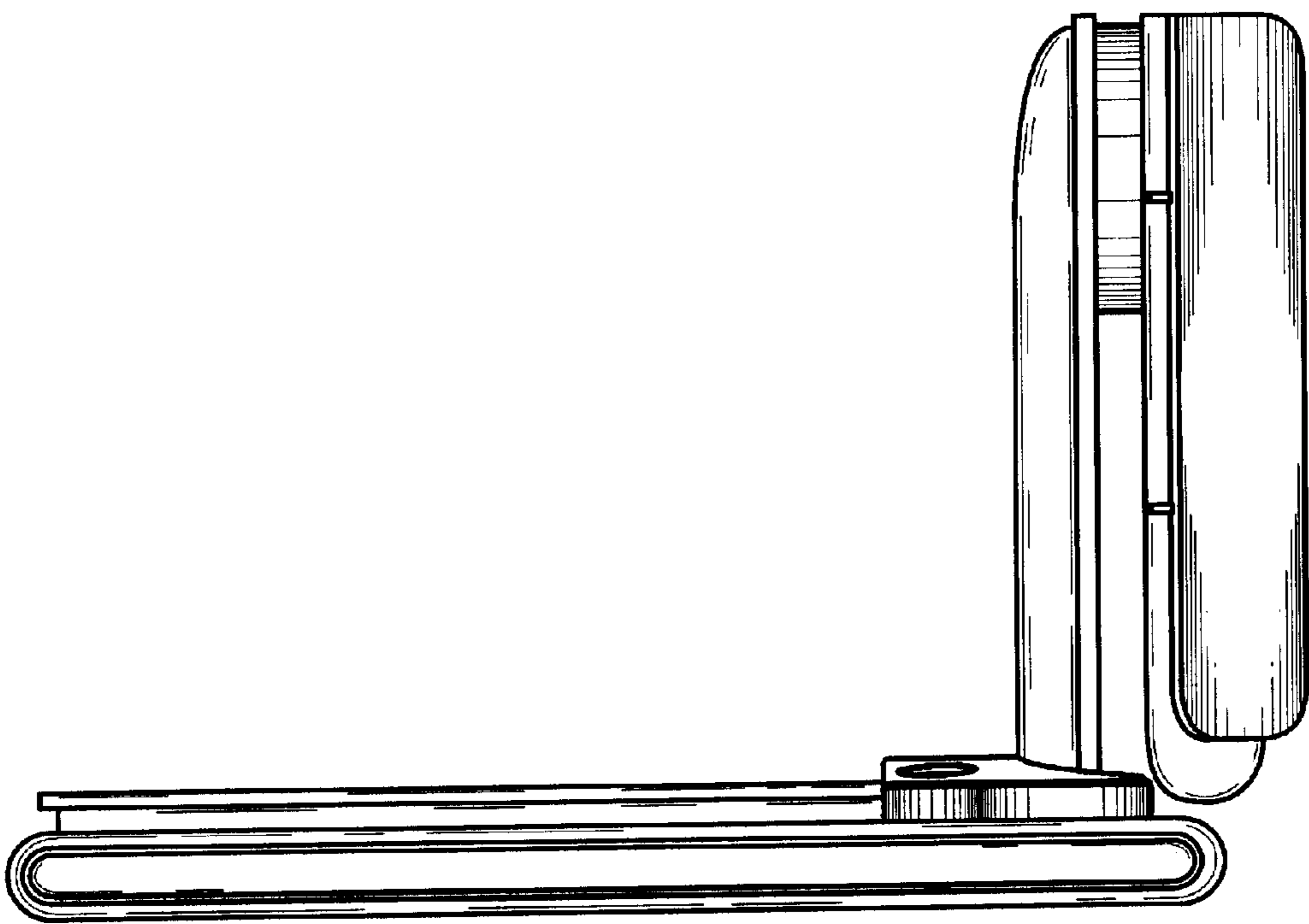


FIG. 4

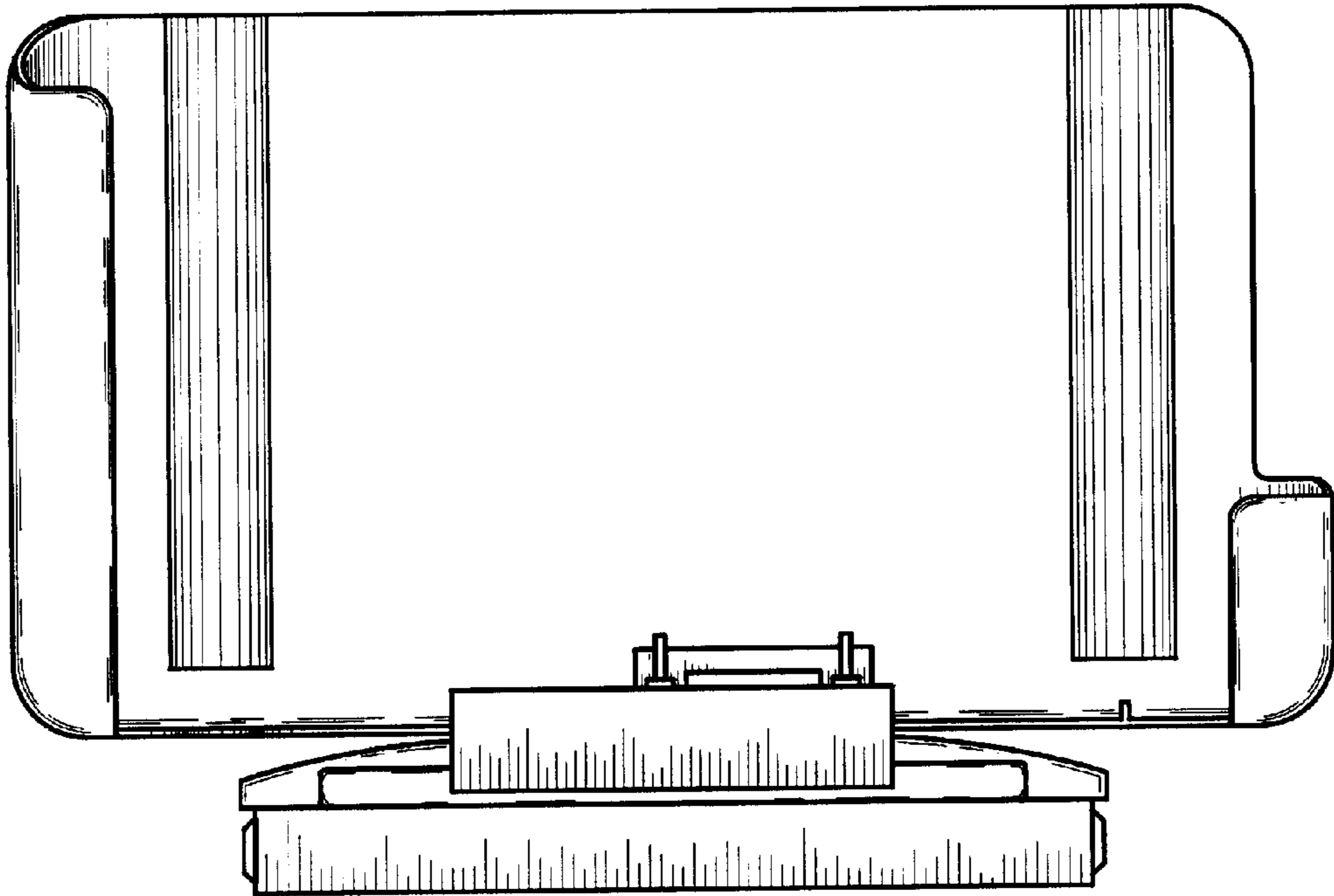


FIG. 5

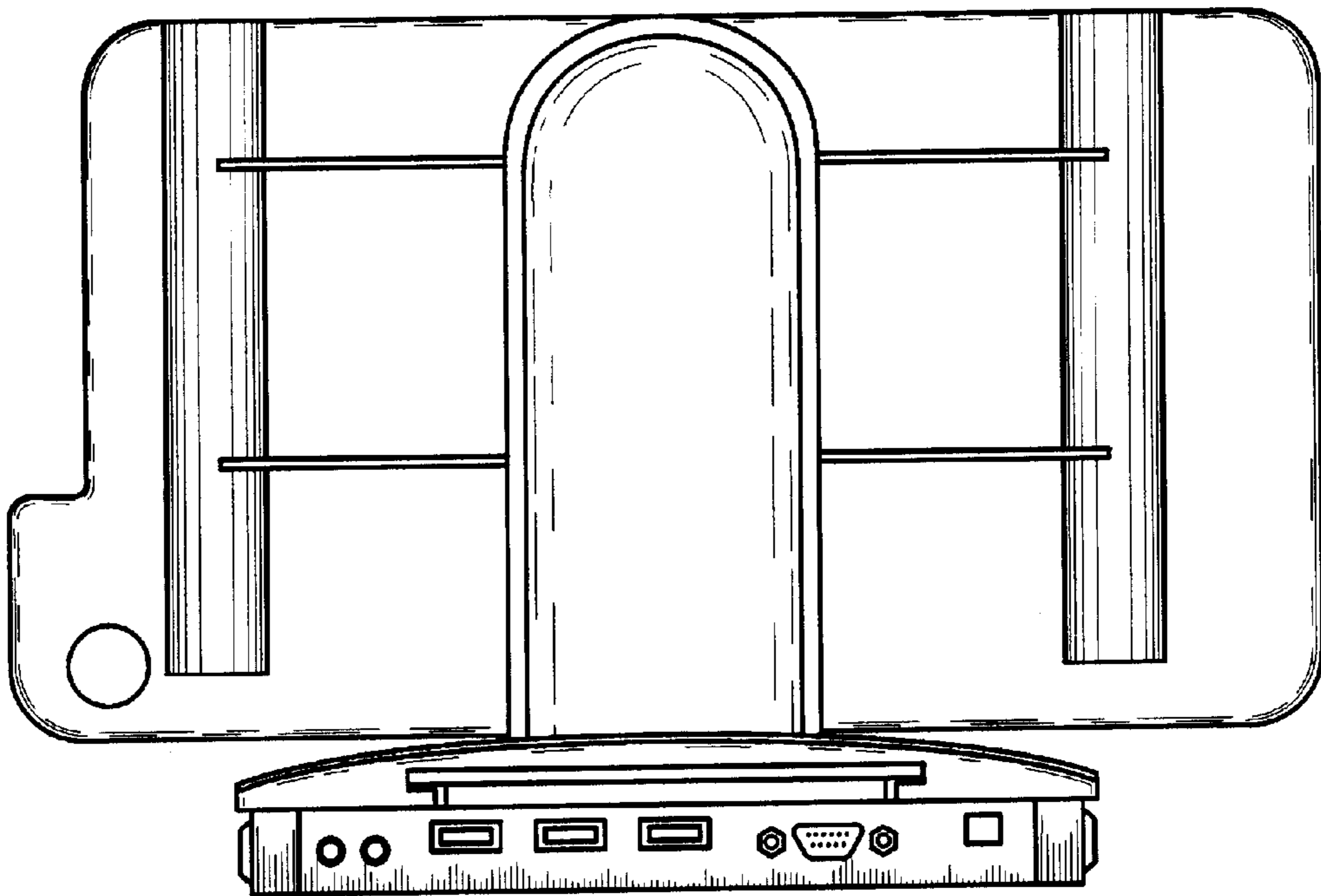


FIG. 6

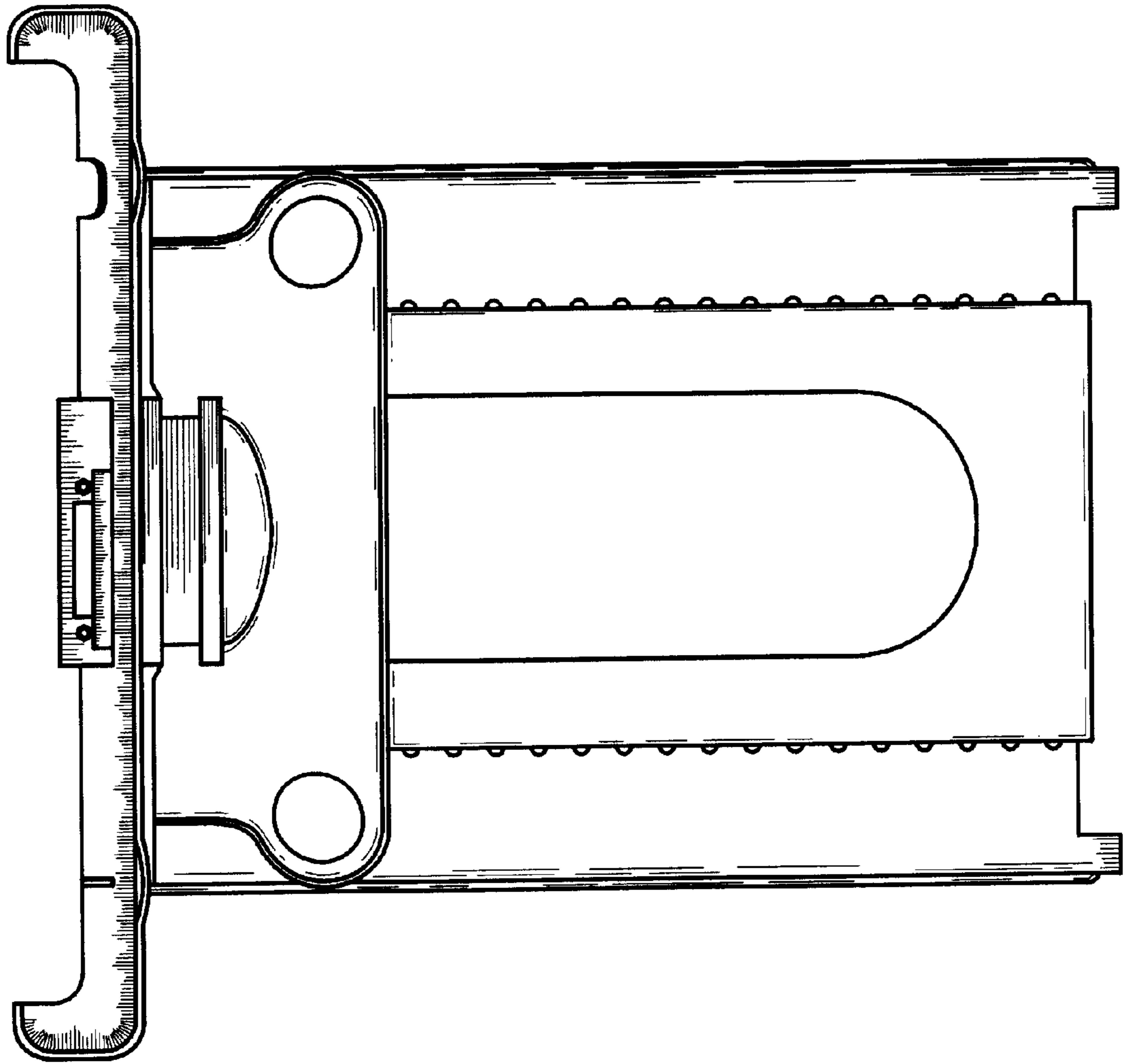


FIG. 7