



US00D480726S

(12) **United States Design Patent**  
**Yokota**

(10) **Patent No.:** **US D480,726 S**

(45) **Date of Patent:** **\*\* Oct. 14, 2003**

(54) **KEYBOARD**

(75) Inventor: **Hiroaki Yokota**, Tokyo (JP)

(73) Assignee: **Sony Corporation**, Tokyo (JP)

(\*\*) Term: **14 Years**

(21) Appl. No.: **29/166,019**

(22) Filed: **Aug. 22, 2002**

(51) **LOC (7) Cl.** ..... **14-02**

(52) **U.S. Cl.** ..... **D14/396**

(58) **Field of Search** ..... D14/391-394,  
D14/396, 399; D18/1, 2, 7; 178/17 A, 17 C;  
200/5 A, 5 R, 6 A, 6 R; 235/145 A, 145 R;  
341/22, 23; 345/160, 168; 400/472, 479,  
484, 485, 486, 488, 489, 492

(56) **References Cited**

**U.S. PATENT DOCUMENTS**

D311,385 S	*	10/1990	Arkin	.....	D14/399
5,367,298 A	*	11/1994	Axthelm	.....	341/22
D418,820 S		1/2000	Shintani	.....	D13/168
D422,963 S		4/2000	Hakoda	.....	D13/107
D449,613 S		10/2001	Matsuoka	.....	D14/396
6,297,752 B1	*	10/2001	Ni	.....	341/22

**OTHER PUBLICATIONS**

Web page "Palm Computing" <http://www.palm-japan.com/catalog/m100/P10713jp.html>, 1 sheet, Palm Computing K.K. (May 2002).

Web page "Z. Zaurus" <http://www.sharp.co.jp/sc/eihon/mip10/text/pt.html>, 2 sheets, Sharp (May 2002).

Web page "IPAQ Pocket PC" <http://www.compaq.co.jp/products/handhelds/pocketpc/options.html>, 4 sheets, COMPAQ (Jun. 2002).

\* cited by examiner

*Primary Examiner*—Freda Nunn

(74) *Attorney, Agent, or Firm*—Rader, Fishman & Grauer PLLC

(57) **CLAIM**

The ornamental design for a keyboard, as shown.

**DESCRIPTION**

FIG. 1 is a perspective view of a keyboard showing my new design;

FIG. 2 is a front elevational view thereof;

FIG. 3 is a rear elevational view thereof;

FIG. 4 is a left side elevational view thereof;

FIG. 5 is a right side elevational view thereof;

FIG. 6 is a top plan view thereof; and,

FIG. 7 is a bottom plan view thereof.

**1 Claim, 4 Drawing Sheets**

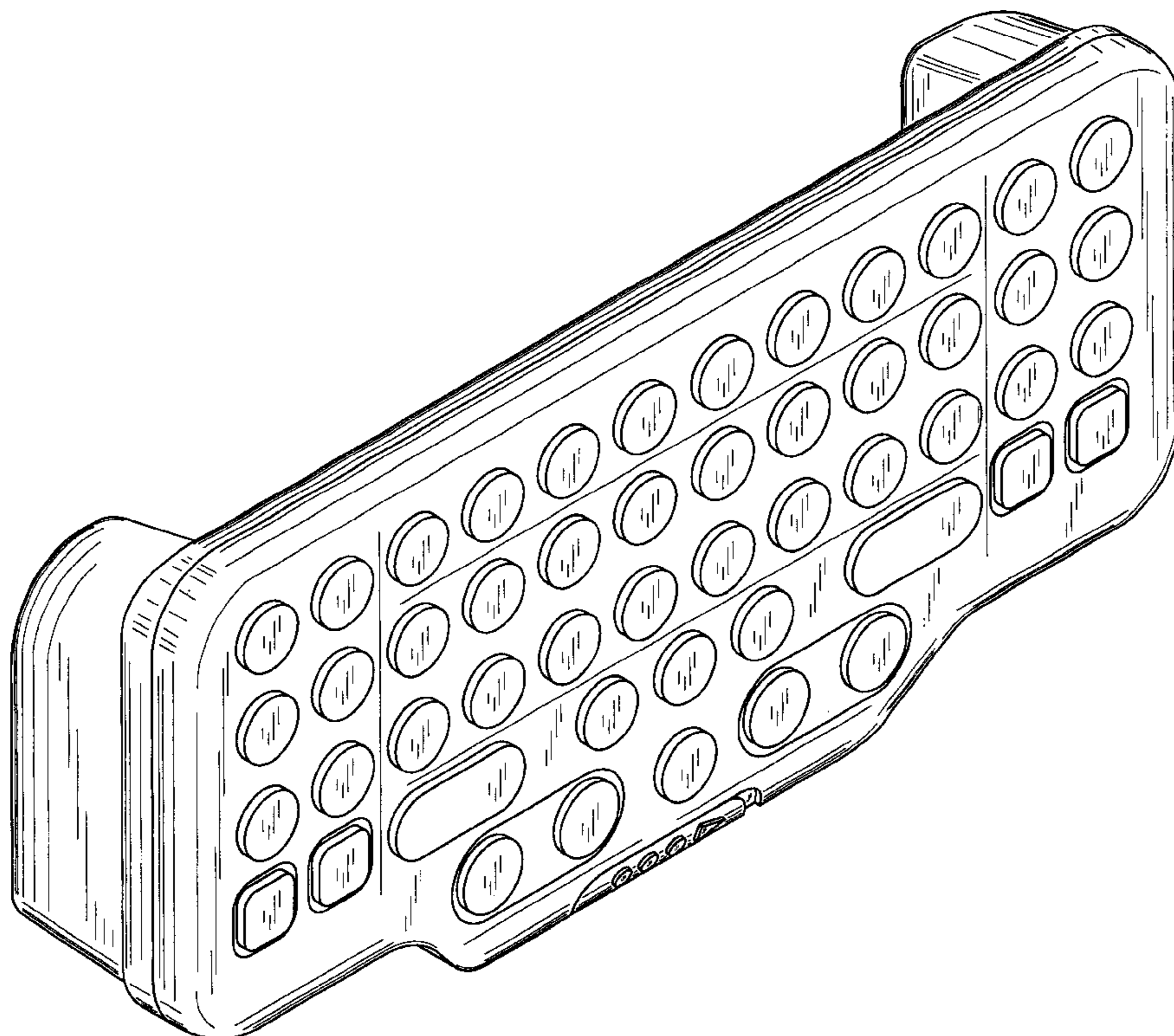
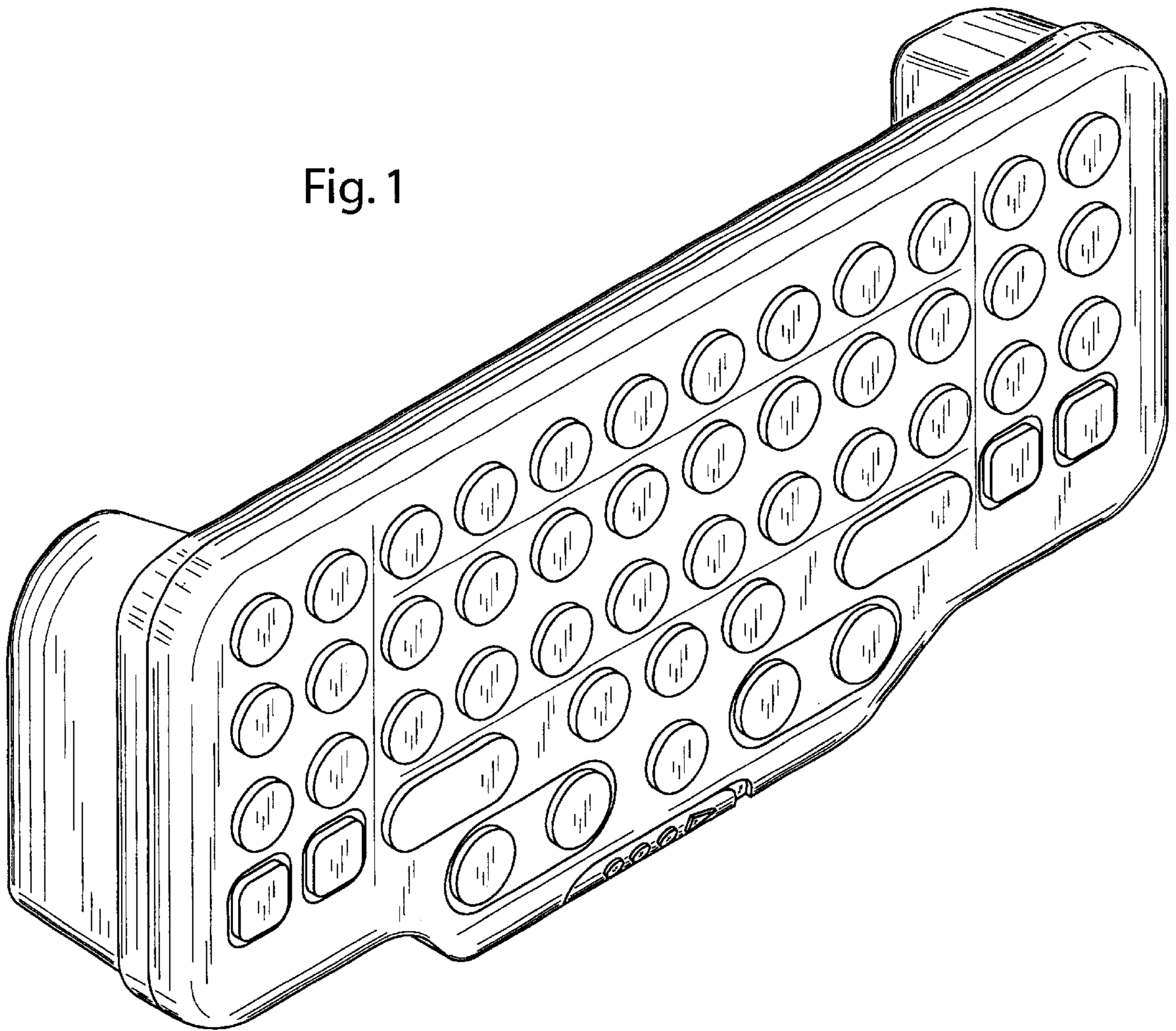


Fig. 1



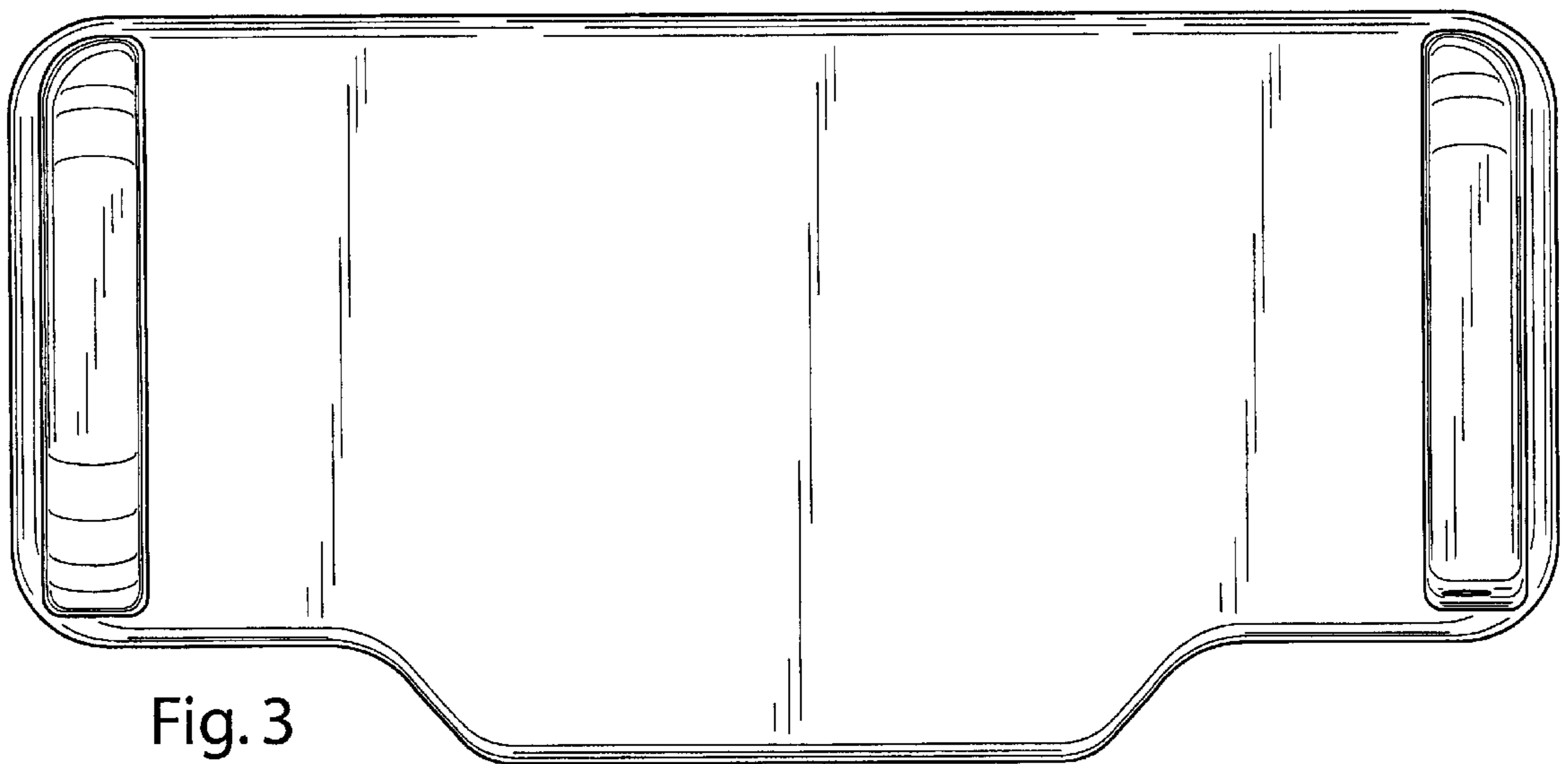
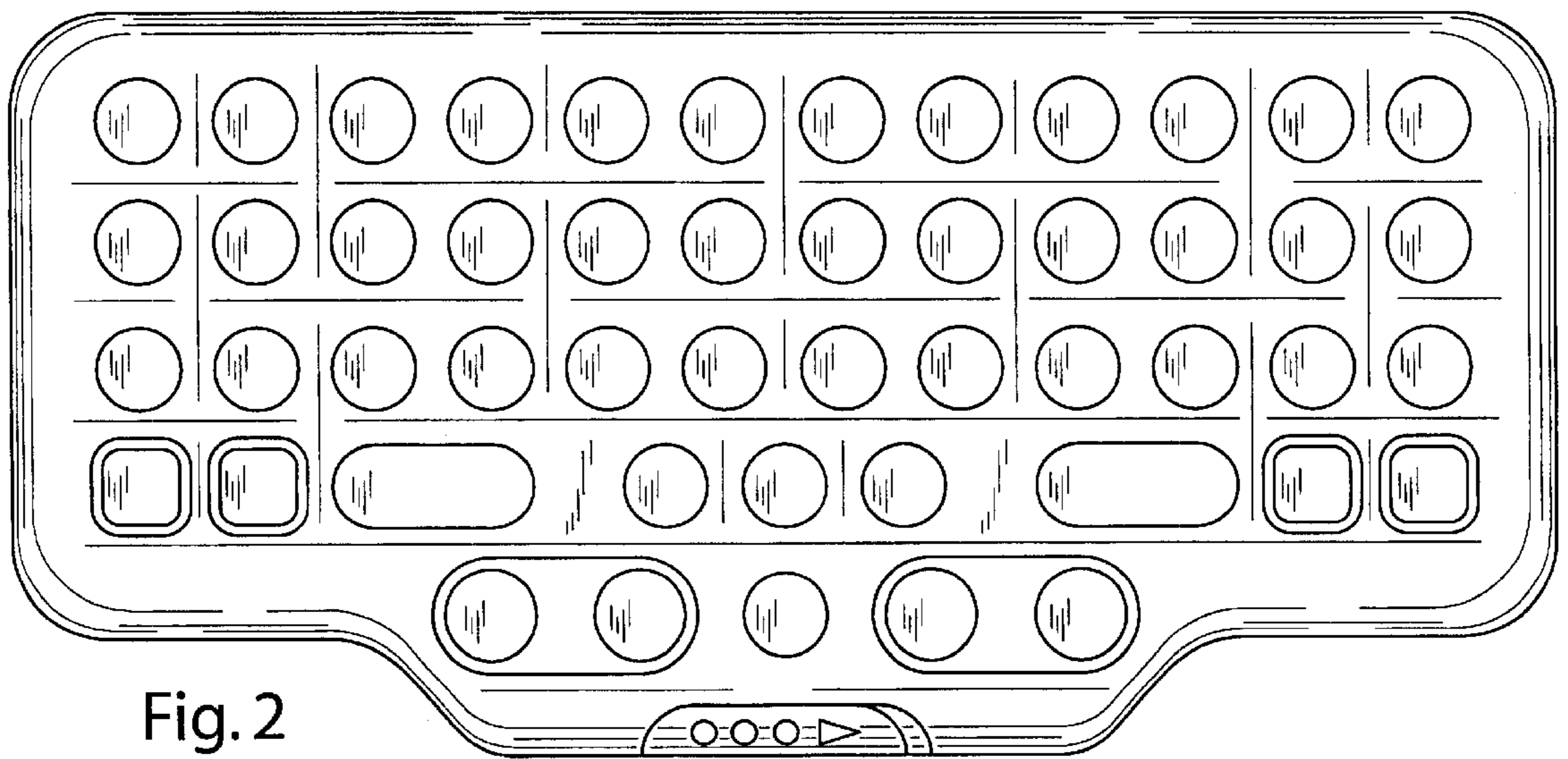




Fig. 4

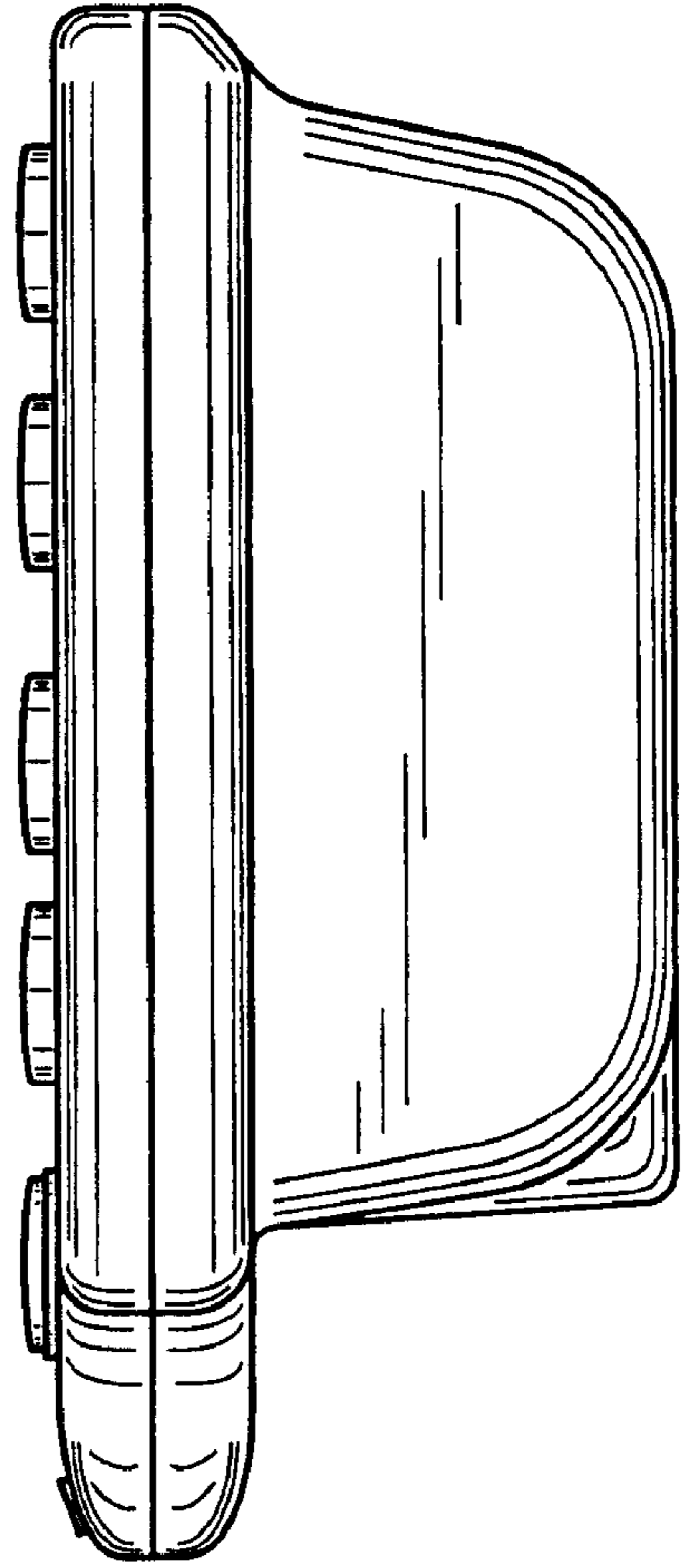


Fig. 5

Fig. 6

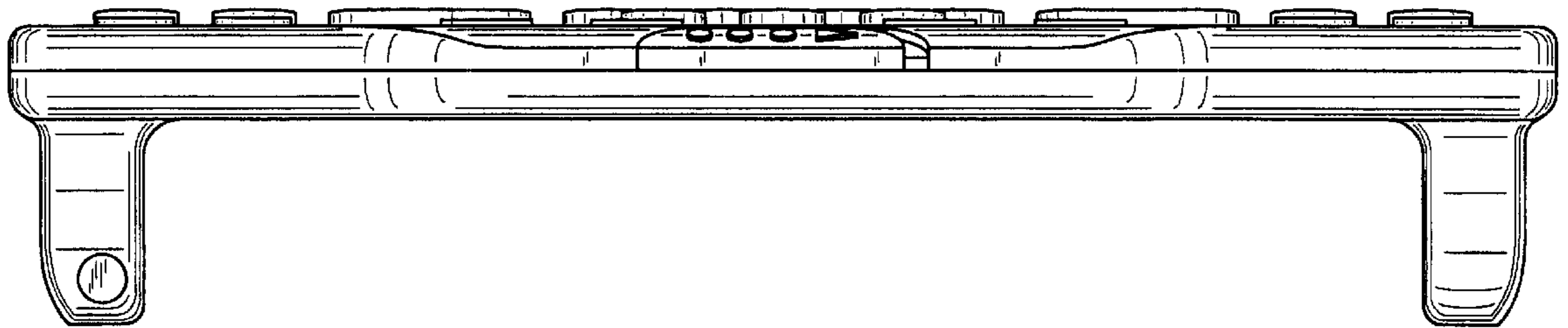
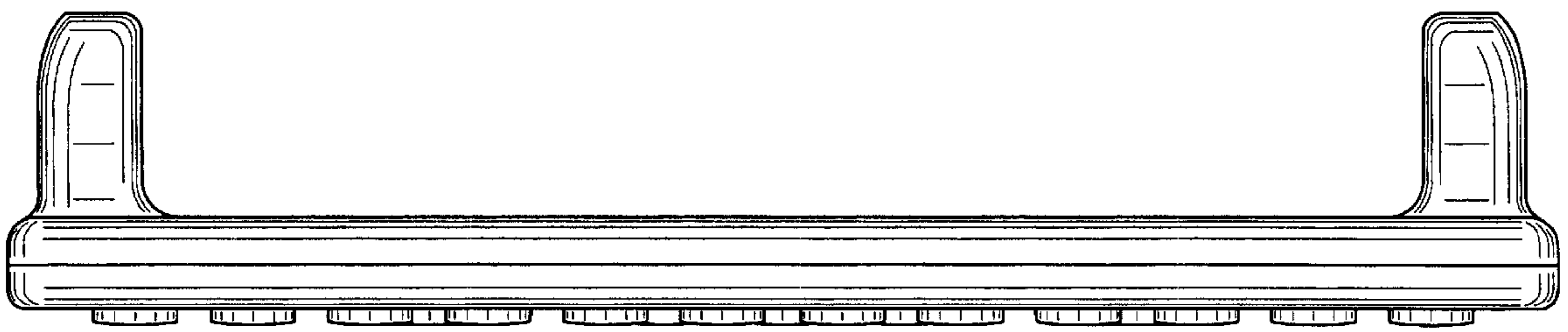


Fig. 7