



US00D480723S

(12) **United States Design Patent**
Lee et al.

(10) **Patent No.:** **US D480,723 S**
(45) **Date of Patent:** **** Oct. 14, 2003**

(54) **TOWER PERSONAL COMPUTER**

(75) Inventors: **Steven K. Lee**, Minneapolis, MN (US);
Ferdinand A. Porsche, Gries/Pzg. (AT)

(73) Assignee: **vpr Matrix, Inc.**, Richfield, MN (US)

(**) Term: **14 Years**

(21) Appl. No.: **29/163,834**

(22) Filed: **Jul. 12, 2002**

(51) **LOC (7) Cl.** **14-02**

(52) **U.S. Cl.** **D14/349**

(58) **Field of Search** D14/300, 308,
D14/349-358; D13/162, 184, 199; 312/223.1-223.3;
360/99.01-99.12; 361/690-696; 369/34.01,
36.01

(56) **References Cited**

U.S. PATENT DOCUMENTS

D418,490 S 1/2000 Jobs et al.
D424,531 S 5/2000 Wolff et al.

D433,681 S * 11/2000 Jean et al. D14/349
D441,746 S 5/2001 Doczy et al.
D453,020 S * 1/2002 Matsuoka D14/349

* cited by examiner

Primary Examiner—Freda Nunn

(74) *Attorney, Agent, or Firm*—Beck & Tysver, P.L.L.C.

(57) **CLAIM**

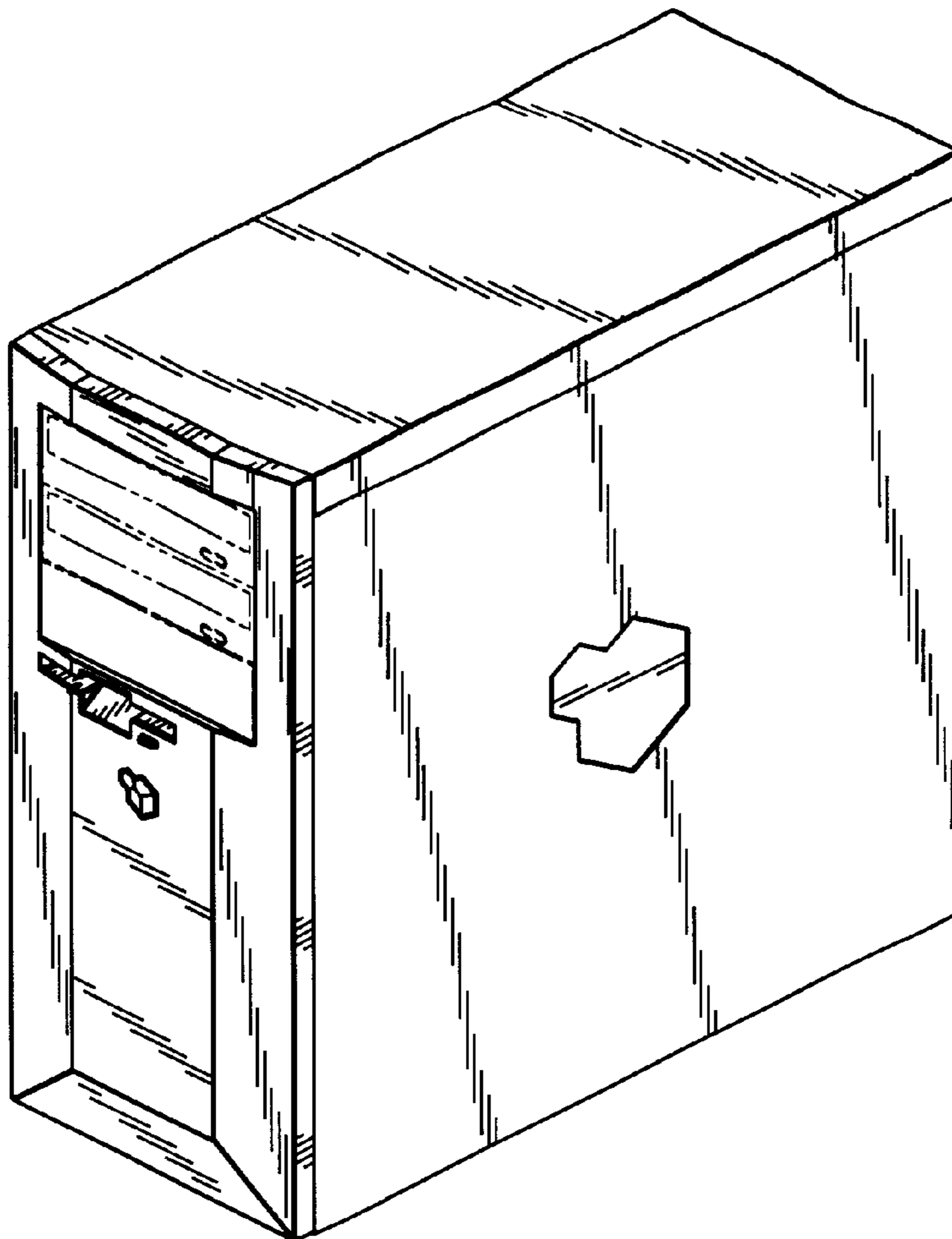
The ornamental design for a tower personal computer, as shown and described.

DESCRIPTION

FIG. 1 is an isometric view of a tower personal computer. FIG. 2 is a right side view thereof. FIG. 3 is a front view thereof. FIG. 4 is a back view thereof. FIG. 5 is a top view thereof; and, FIG. 6 is a bottom view thereof.

The broken line disclosure in FIGS. 1 and 3 is for illustrative purposes only and forms no part of the claimed design.

1 Claim, 3 Drawing Sheets



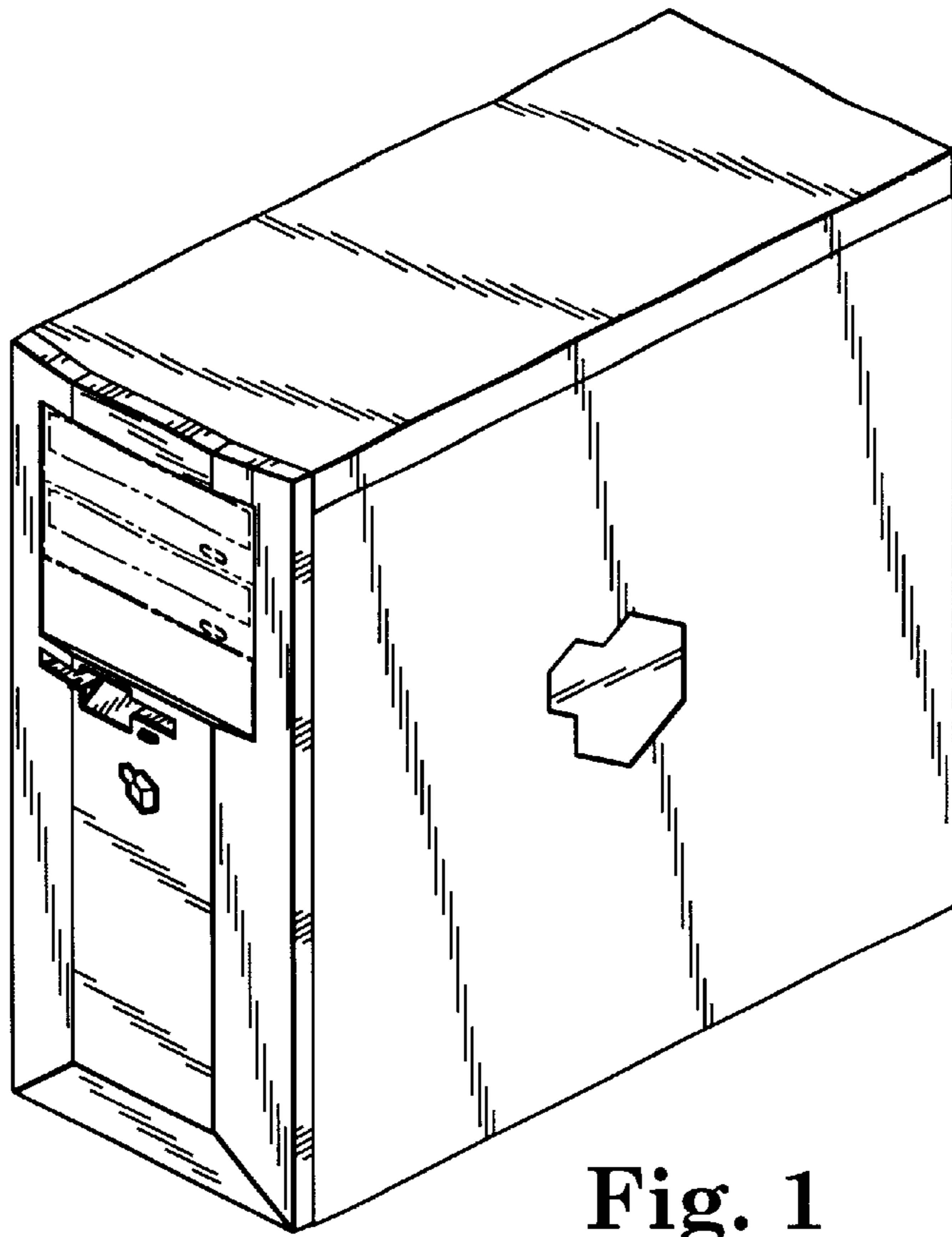


Fig. 1

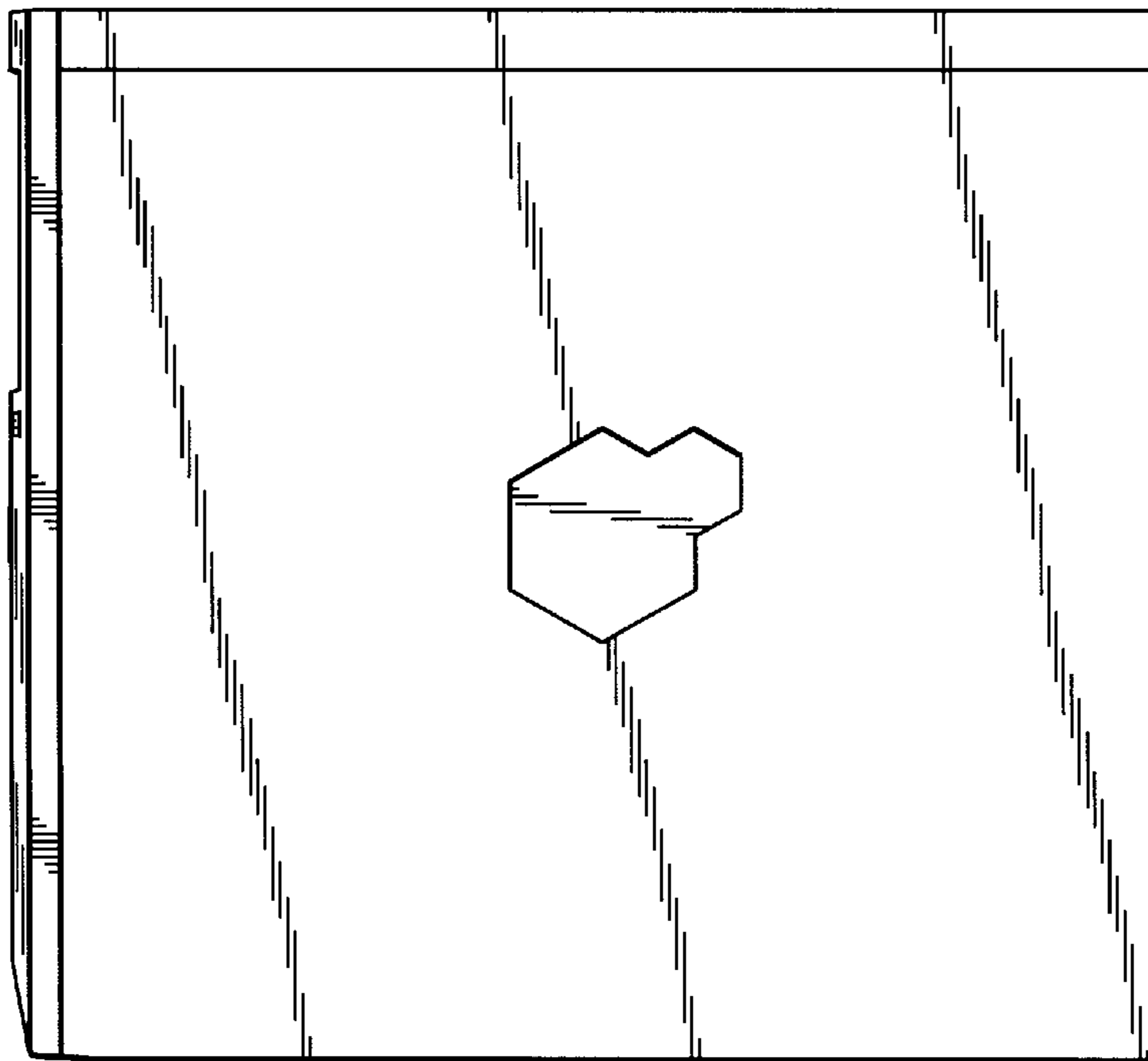


Fig. 2

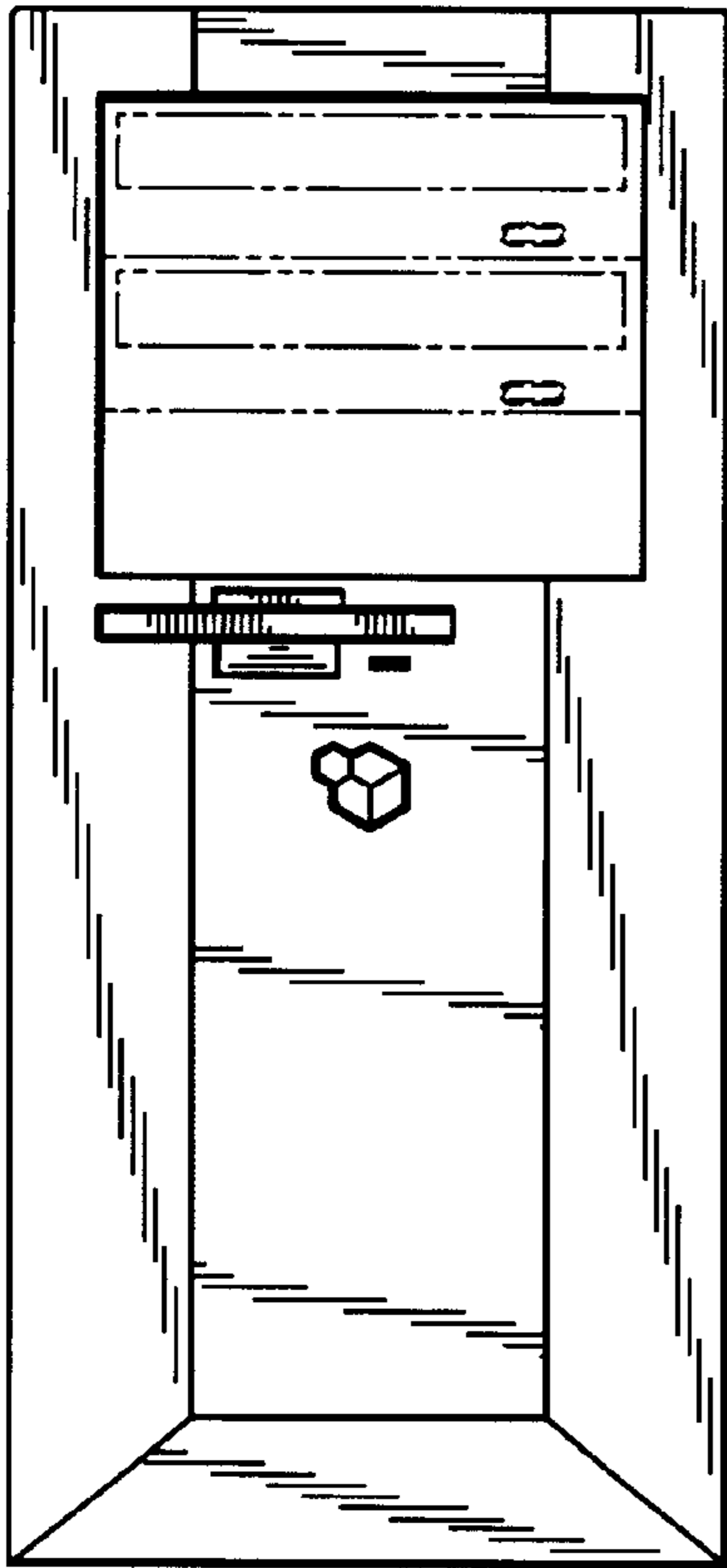


Fig. 3

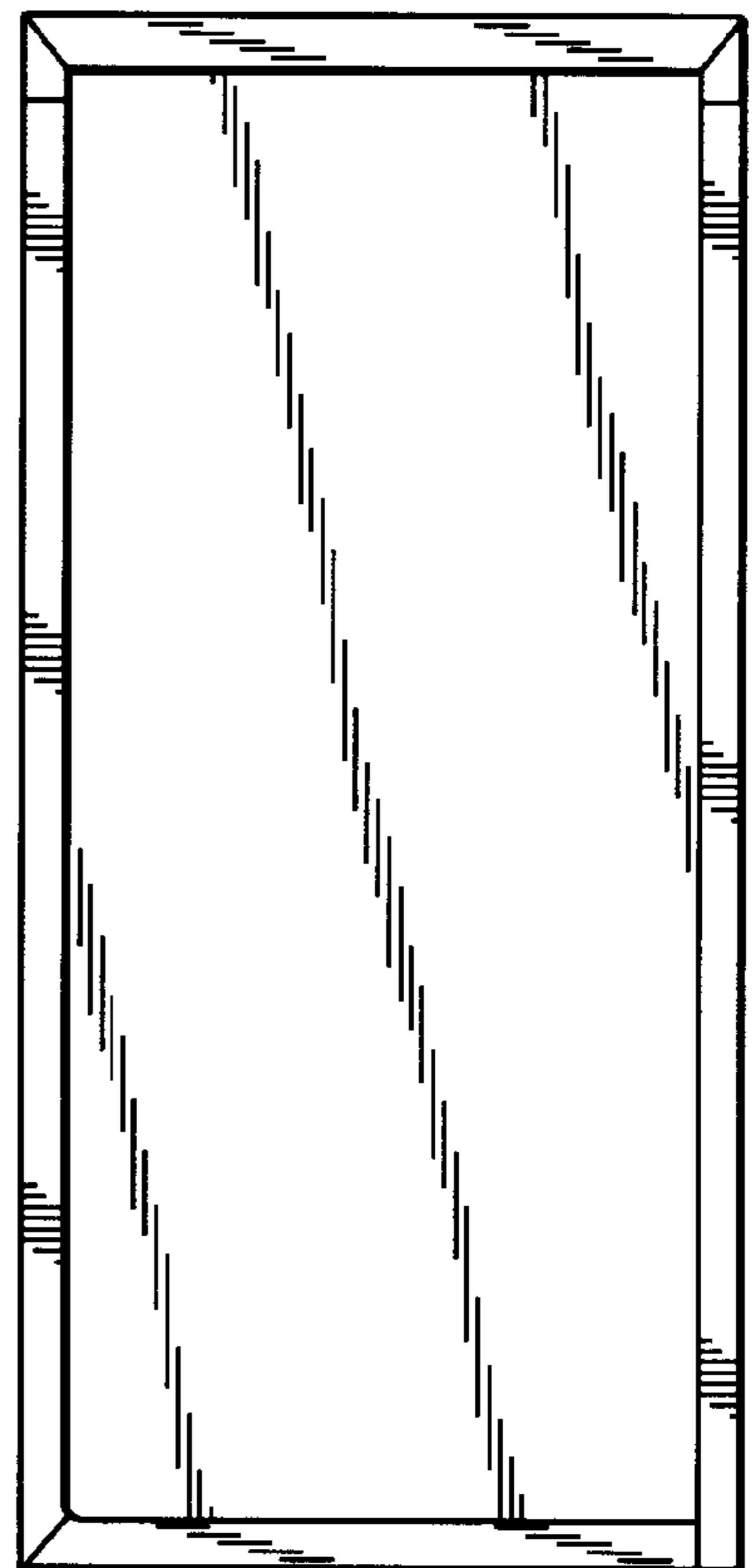


Fig. 4

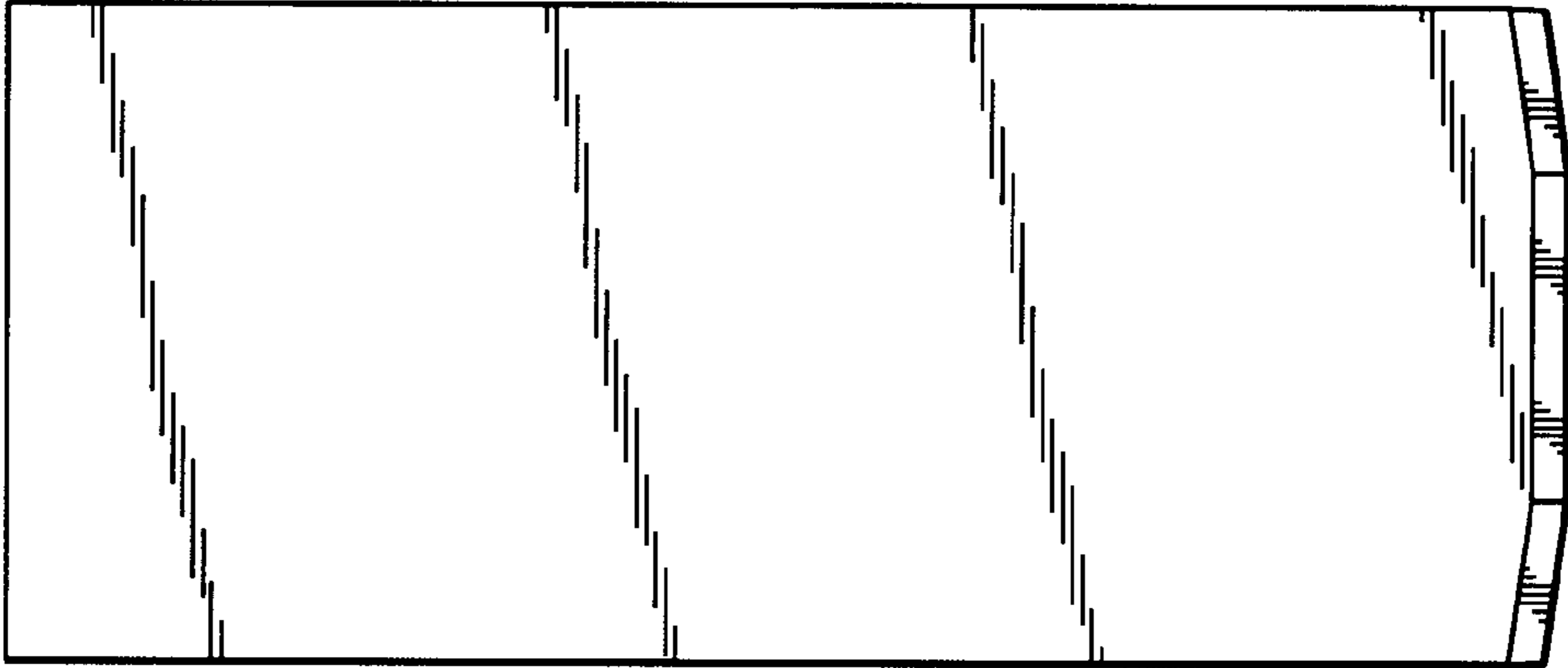


Fig. 5

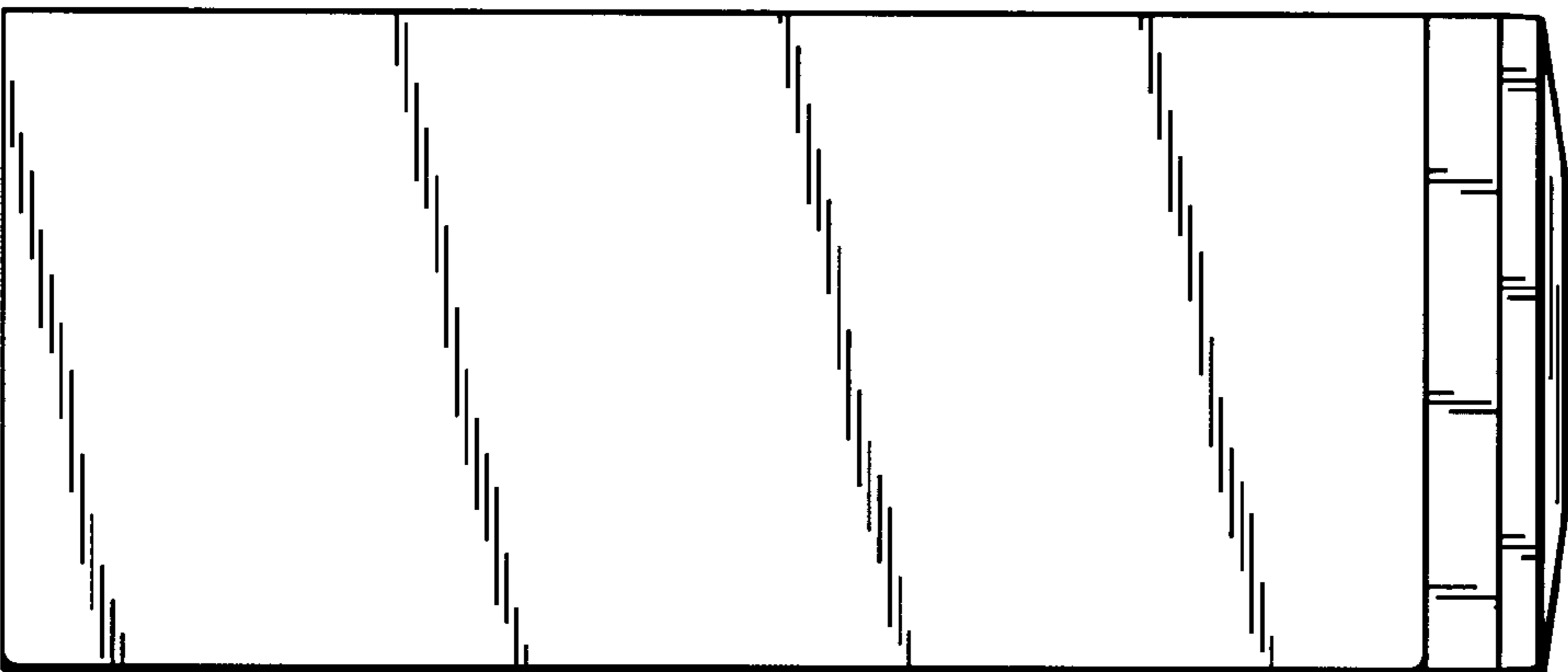


Fig. 6