



US00D480718S

(12) **United States Design Patent**
Dalby

(10) **Patent No.:** **US D480,718 S**

(45) **Date of Patent:** **** Oct. 14, 2003**

(54) **BACK COVER FOR A HANDSET**

(75) Inventor: **Anthony Dalby**, London (GB)

(73) Assignee: **Nokia Corporation**, Espoo (FI)

(**) Term: **14 Years**

(21) Appl. No.: **29/154,223**

(22) Filed: **Jan. 18, 2002**

(51) **LOC (7) Cl.** **14-03**

(52) **U.S. Cl.** **D14/248**

(58) **Field of Search** D14/137, 240,
D14/138, 218, 147-148, 247-248, 144,
191, 341-347; 379/433.01-433.13, 419,
434, 428.01-428.04, 420.01-420.04, 440;
455/550-575, 90; D21/517, 329, 331, 333;
D13/103, 119, 168

(56) **References Cited**

U.S. PATENT DOCUMENTS

| | | | | | |
|------------|---|---------|--------------------|-------|---------|
| D395,277 S | * | 6/1998 | Finke-Anlauff | | D13/103 |
| D412,704 S | * | 8/1999 | Vuolteenaho et al. | | D14/138 |
| D419,155 S | * | 1/2000 | Nagele et al. | | D14/138 |
| D419,550 S | * | 1/2000 | Caroen et al. | | D14/138 |
| D421,004 S | * | 2/2000 | Curtis | | D14/138 |
| D422,282 S | * | 4/2000 | Curtis | | D14/248 |
| D425,906 S | * | 5/2000 | Finkbeiner | | D14/248 |
| D428,401 S | * | 7/2000 | Curtis | | D14/138 |
| D434,402 S | * | 11/2000 | Lee | | D14/138 |
| D446,198 S | * | 8/2001 | Park et al. | | D14/138 |
| D448,366 S | * | 9/2001 | Youngers et al. | | D14/240 |
| D451,897 S | * | 12/2001 | Hiroko | | D14/138 |
| D451,913 S | * | 12/2001 | Vuolteenaho et al. | | D14/248 |
| D452,968 S | * | 1/2002 | Evers et al. | | D14/345 |
| D453,930 S | * | 2/2002 | Vuolteenaho et al. | | D14/248 |
| D454,868 S | * | 3/2002 | Vuolteenaho et al. | | D14/248 |
| D455,413 S | * | 4/2002 | Lee | | D14/138 |
| D458,915 S | * | 6/2002 | Shintani | | D14/147 |
| D459,322 S | * | 6/2002 | Hyun | | D14/138 |
| D459,325 S | * | 6/2002 | Nakahara | | D14/138 |
| D459,327 S | * | 6/2002 | Ali | | D14/138 |
| D459,711 S | * | 7/2002 | Lee | | D14/138 |
| D462,064 S | * | 8/2002 | Kim | | D14/138 |

| | | | | | |
|------------|---|--------|------------------|-------|---------|
| D462,071 S | * | 8/2002 | Ruohonen | | D14/248 |
| D468,281 S | * | 1/2003 | Taniguchi et al. | | D14/138 |
| D470,829 S | * | 2/2003 | Dalby et al. | | D14/138 |

OTHER PUBLICATIONS

- U.S. patent application Ser. No. 29/154,250, Nokia Corporation, filed Jan. 18, 2002.
- U.S. patent application Ser. No. 29/154,251, Nokia Corporation, filed Jan 18, 2002.
- U.S. patent application Ser. No. 29/154,289, Nokia Corporation, filed Jan. 18, 2002.
- U.S. patent application Ser. No. 29/154,290, Nokia Corporation, filed Jan. 18, 2002.
- U.S. patent application Ser. No. 29/154,287, Nokia Corporation, filed Jan. 18, 2002.
- U.S. patent application Ser. No. 29/154,222, Nokia Corporation, filed Jan. 18, 2002.
- U.S. patent application Ser. No. 29/154,224, Nokia Corporation, filed Jan. 18, 2002.
- U.S. patent application Ser. No. 29/154,215, Nokia Corporation, filed Jan. 18, 2002.
- U.S. patent application Ser. No. 29/154,288, Nokia Corporation, filed Jan. 18, 2002.
- U.S. patent application Ser. No. 29/154,225, Nokia Corporation, filed Jan. 18, 2002.

* cited by examiner

Primary Examiner—Jeffrey Asch

(74) *Attorney, Agent, or Firm*—Banner & Witcoff, Ltd.

(57) **CLAIM**

I claim the ornamental design for a back cover for a handset, as shown.

DESCRIPTION

FIG. 1 is a top plan view of a back cover for a handset; FIG. 2 is a left side view thereof; FIG. 3 is a front view thereof; FIG. 4 is a right side view thereof; FIG. 5 is a bottom plan view thereof; FIG. 6 is a perspective front view thereof; and, FIG. 7 is a perspective rear view thereof.

1 Claim, 2 Drawing Sheets

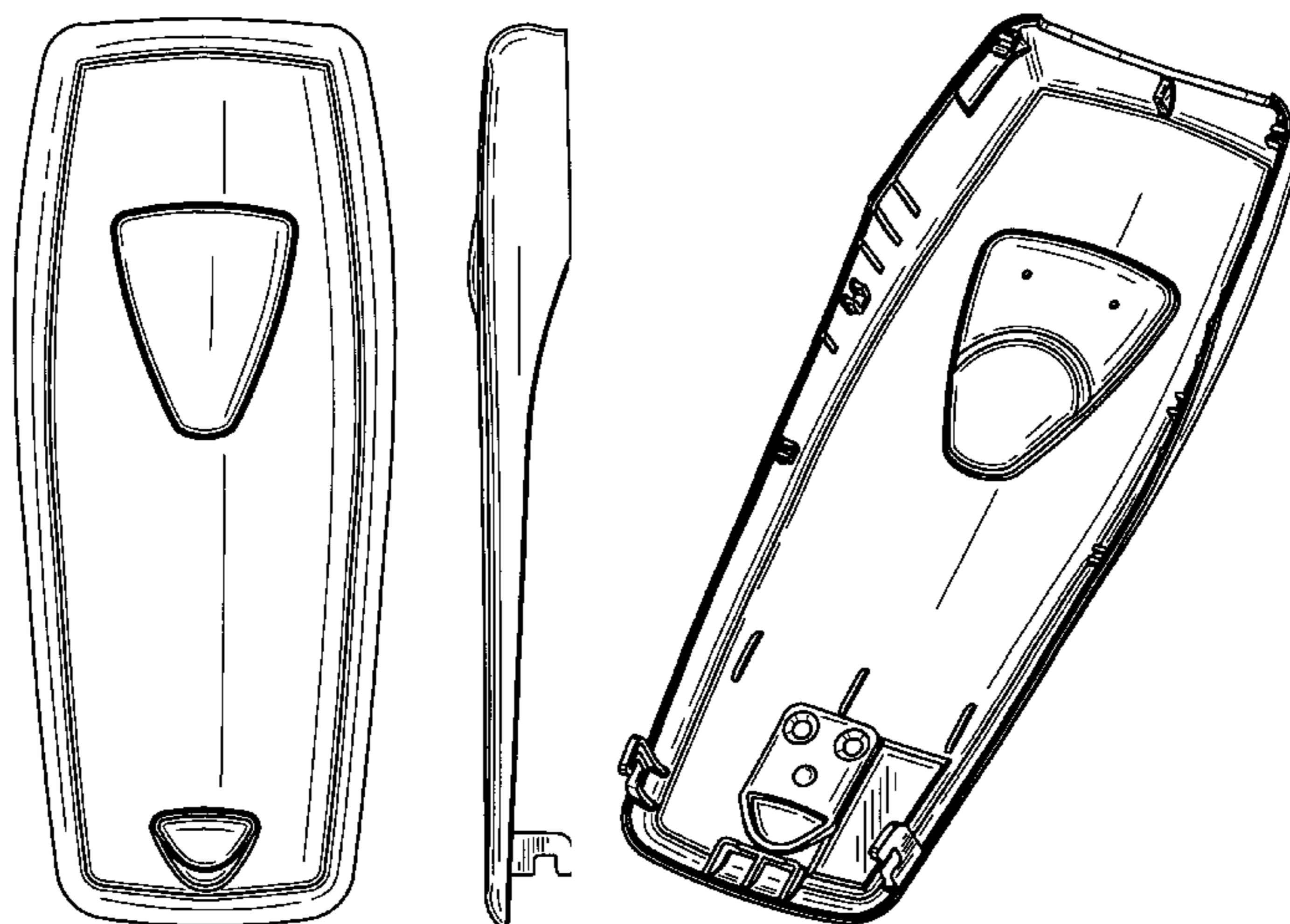


FIG. 1

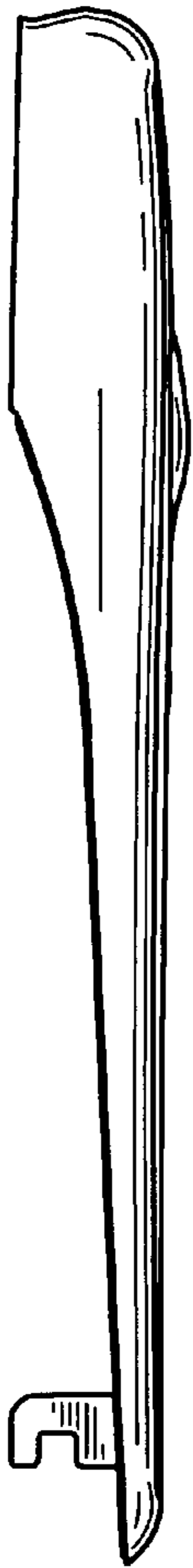
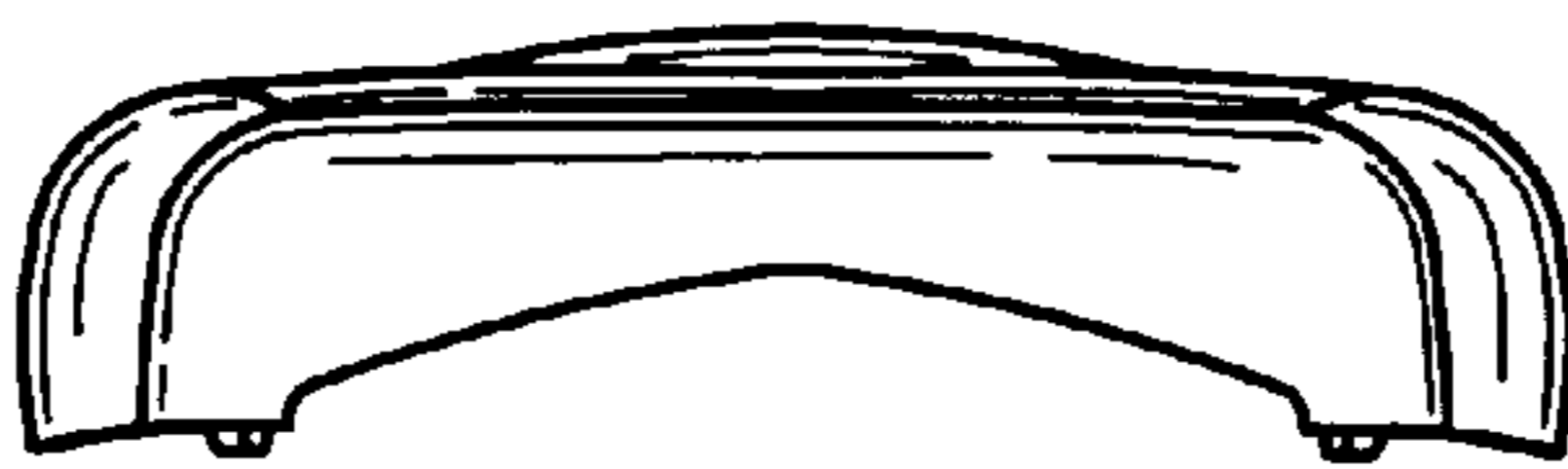


FIG. 2

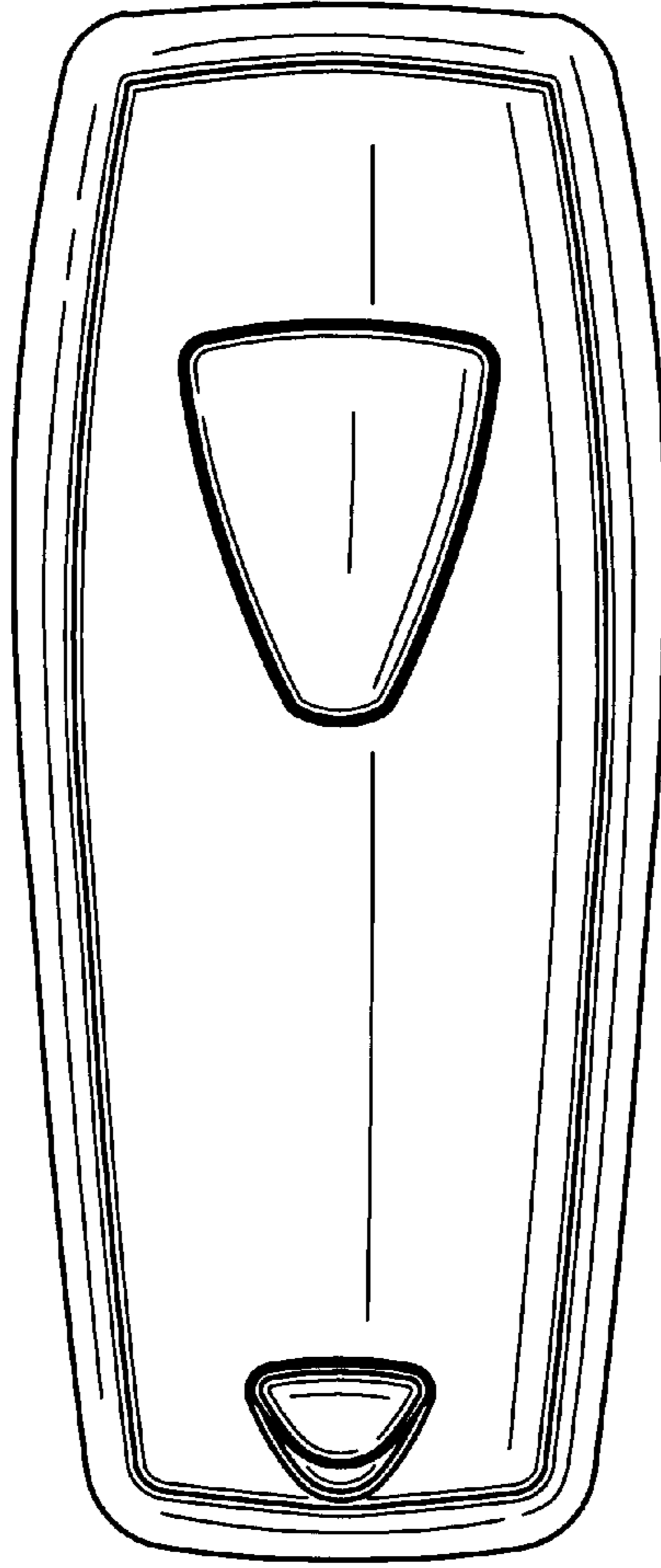


FIG. 3

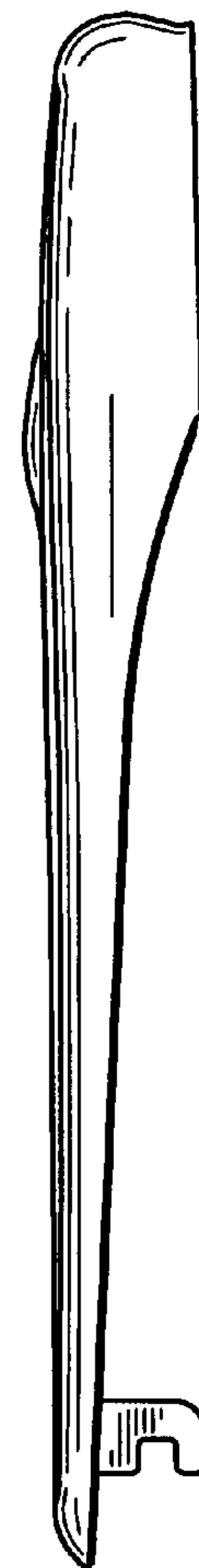
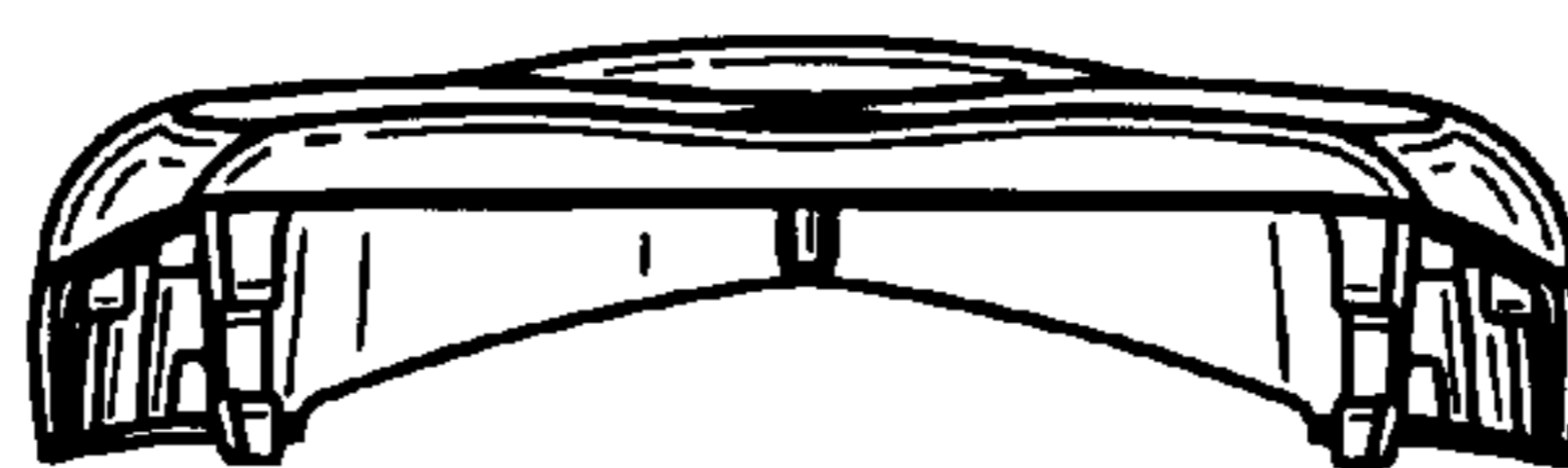


FIG. 4

FIG. 5



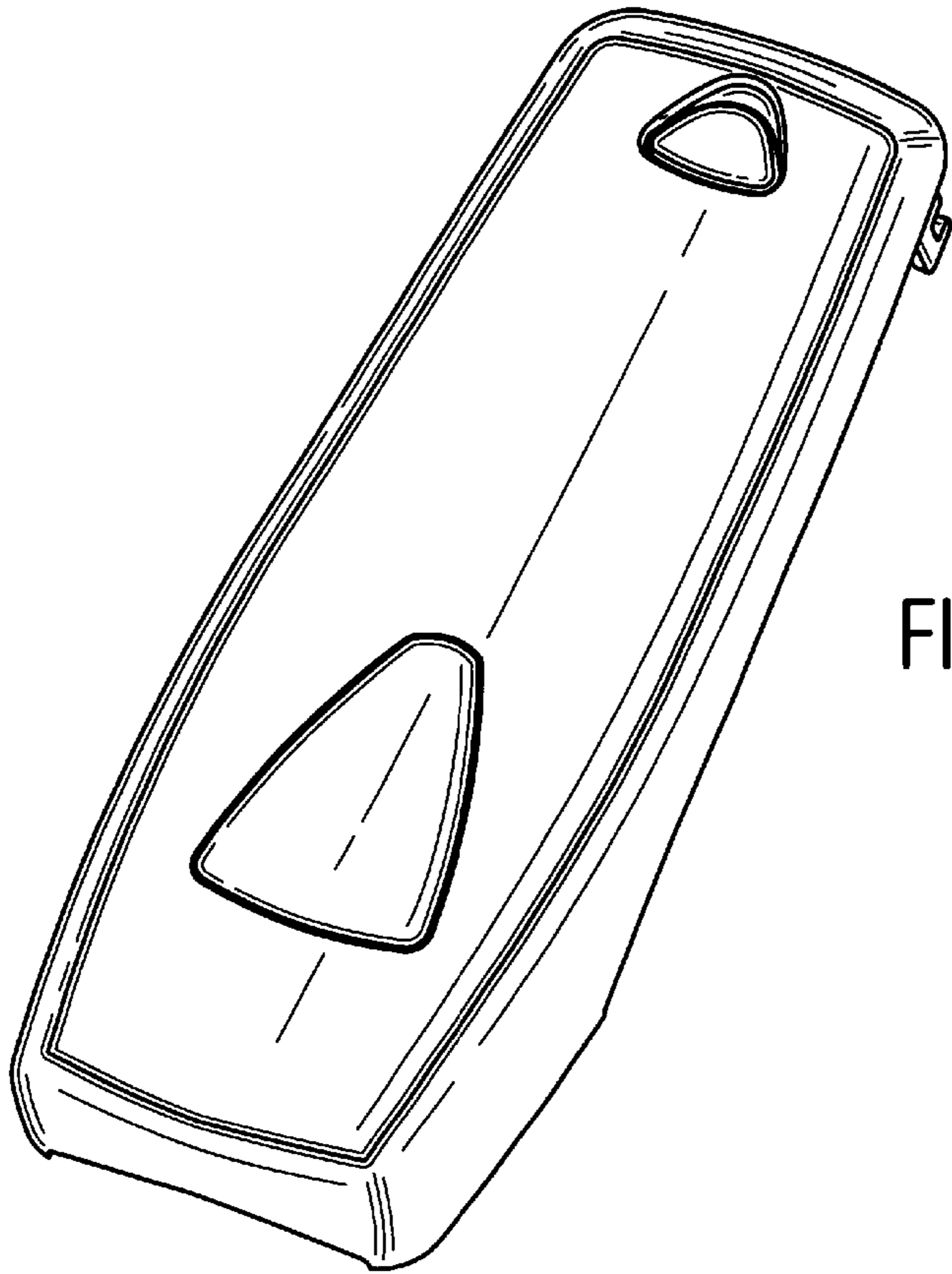


FIG. 6

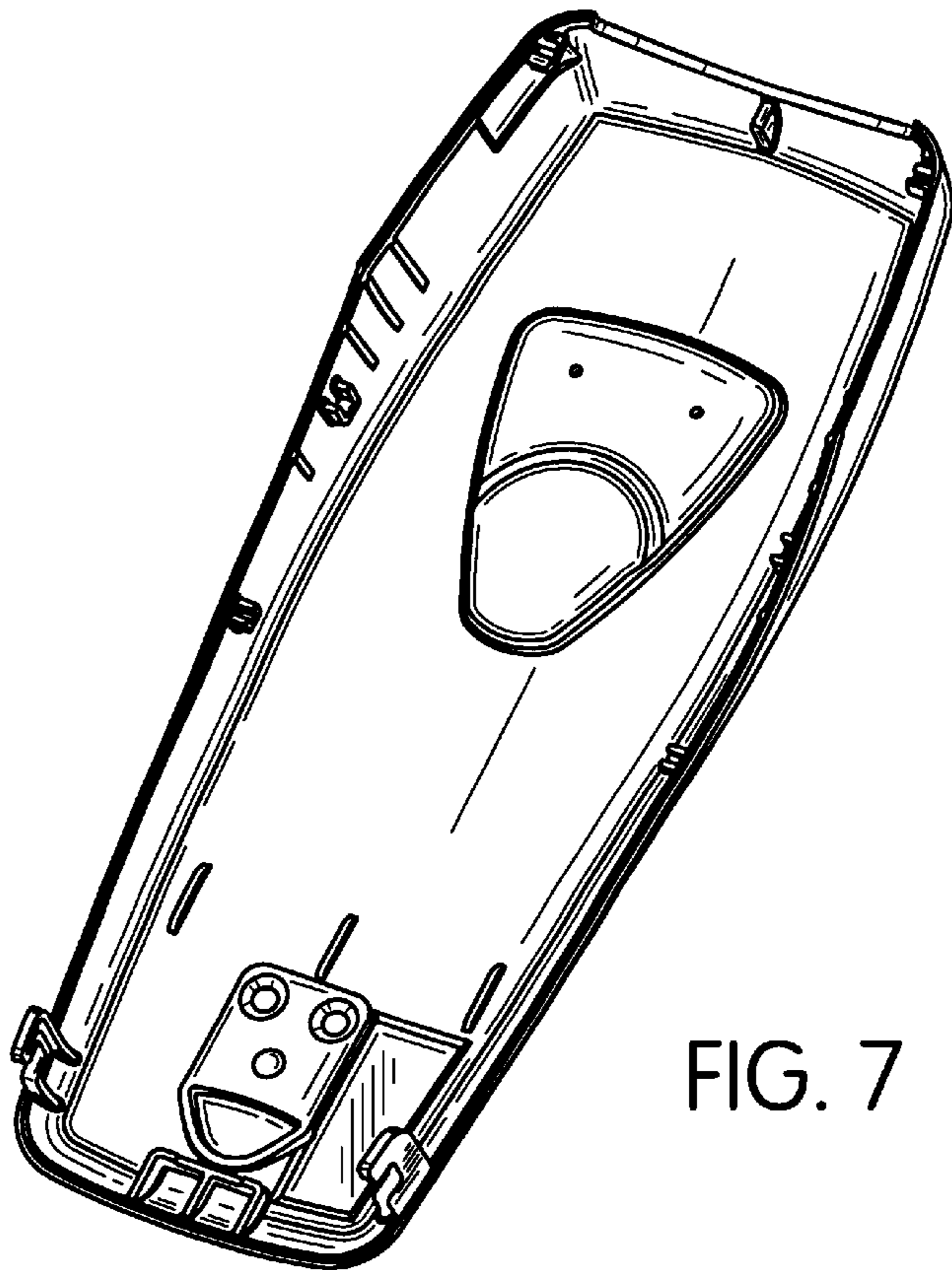


FIG. 7