



US00D480717S

(12) **United States Design Patent**
Imai

(10) **Patent No.:** **US D480,717 S**

(45) **Date of Patent:** **** Oct. 14, 2003**

(54) **HINGE FOR CELLULAR TELEPHONE**

(75) Inventor: **Katsuya Imai, Tako-machi (JP)**

(73) Assignee: **Sugatsune Kogyo Co., Ltd. (JP)**

(**) Term: **14 Years**

(21) Appl. No.: **29/140,969**

(22) Filed: **Apr. 27, 2001**

(30) **Foreign Application Priority Data**

Nov. 9, 2000 (JP) 2000-032026

(51) **LOC (7) Cl.** **14-03**

(52) **U.S. Cl.** **D14/248**

(58) **Field of Search** D14/137, 138,
D14/218, 147-148, 247-248, 144, 341-347;
379/433.01-433.13, 419, 434, 428.01-428.04,
420.01-420.04, 440; 455/550-575, 90;
D21/517; 16/303, 342, 304, 336, 307, 334,
344, 345

(56) **References Cited**

U.S. PATENT DOCUMENTS

4,645,905 A * 2/1987 Ming 392/444
5,052,078 A * 10/1991 Hosoi 16/297
5,600,870 A * 2/1997 Fields et al. 16/342
5,628,089 A * 5/1997 Wilcox et al. 16/303
5,715,575 A * 2/1998 Kubota 16/342
5,761,300 A * 6/1998 Domoleczny 379/433.13
5,894,635 A * 4/1999 Lu 16/342
5,915,440 A * 6/1999 Repo 16/330
5,937,062 A * 8/1999 Sun et al. 379/433.13
6,065,187 A * 5/2000 Mischenko 16/341
6,070,298 A * 6/2000 Sorimachi 16/330
6,115,886 A 9/2000 Fujita 16/330
6,119,310 A * 9/2000 Ohshima et al. 16/342
6,141,831 A * 11/2000 Novin et al. 16/330
6,148,079 A * 11/2000 Chintala et al. 379/433.13

6,148,480 A * 11/2000 Cooke 16/303
6,175,990 B1 * 1/2001 Kato et al. 16/334
6,195,431 B1 * 2/2001 Middleton 379/433.13
6,292,980 B1 * 9/2001 Yi et al. 16/303
6,295,358 B1 * 9/2001 Kubota 379/433.13
6,305,050 B1 * 10/2001 Imai 16/303
6,317,927 B1 * 11/2001 Lai et al. 16/342
6,320,961 B1 * 11/2001 Hayasaka 379/433.13

FOREIGN PATENT DOCUMENTS

JP 1039131 5/1999
JP 1039132 5/1999
JP 1075624 6/2000
JP 1075625 6/2000
JP 1075629 6/2000
JP 1075631 6/2000
JP 1075757 6/2000
JP 1076712 6/2000
JP 1081578 7/2000

* cited by examiner

Primary Examiner—Jeffrey Asch

(74) *Attorney, Agent, or Firm*—Eugene Stephens & Associates

(57) **CLAIM**

The ornamental design for a hinge for cellular telephone, as shown and described.

DESCRIPTION

FIG. 1 is a front view, which is symmetrical to a back view that is not shown.

FIG. 2 is a right side view.

FIG. 3 is a left side view.

FIG. 4 is a top view.

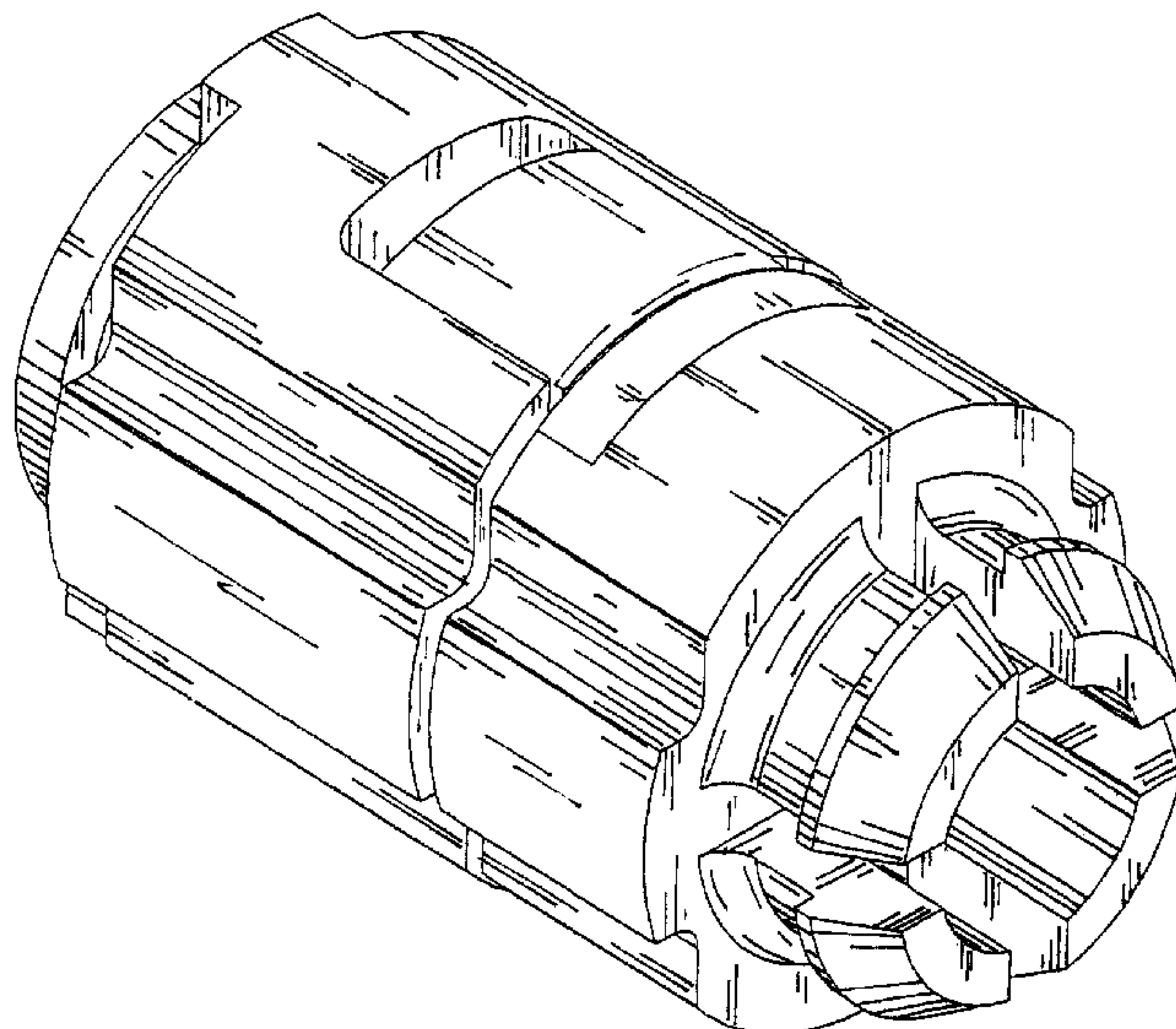
FIG. 5 is a bottom view.

FIG. 6 is a sectional view taken on line A—A of FIG. 1.

FIG. 7 is a sectional view taken on line B—B of FIG. 1; and,

FIG. 8 is a perspective view.

1 Claim, 4 Drawing Sheets



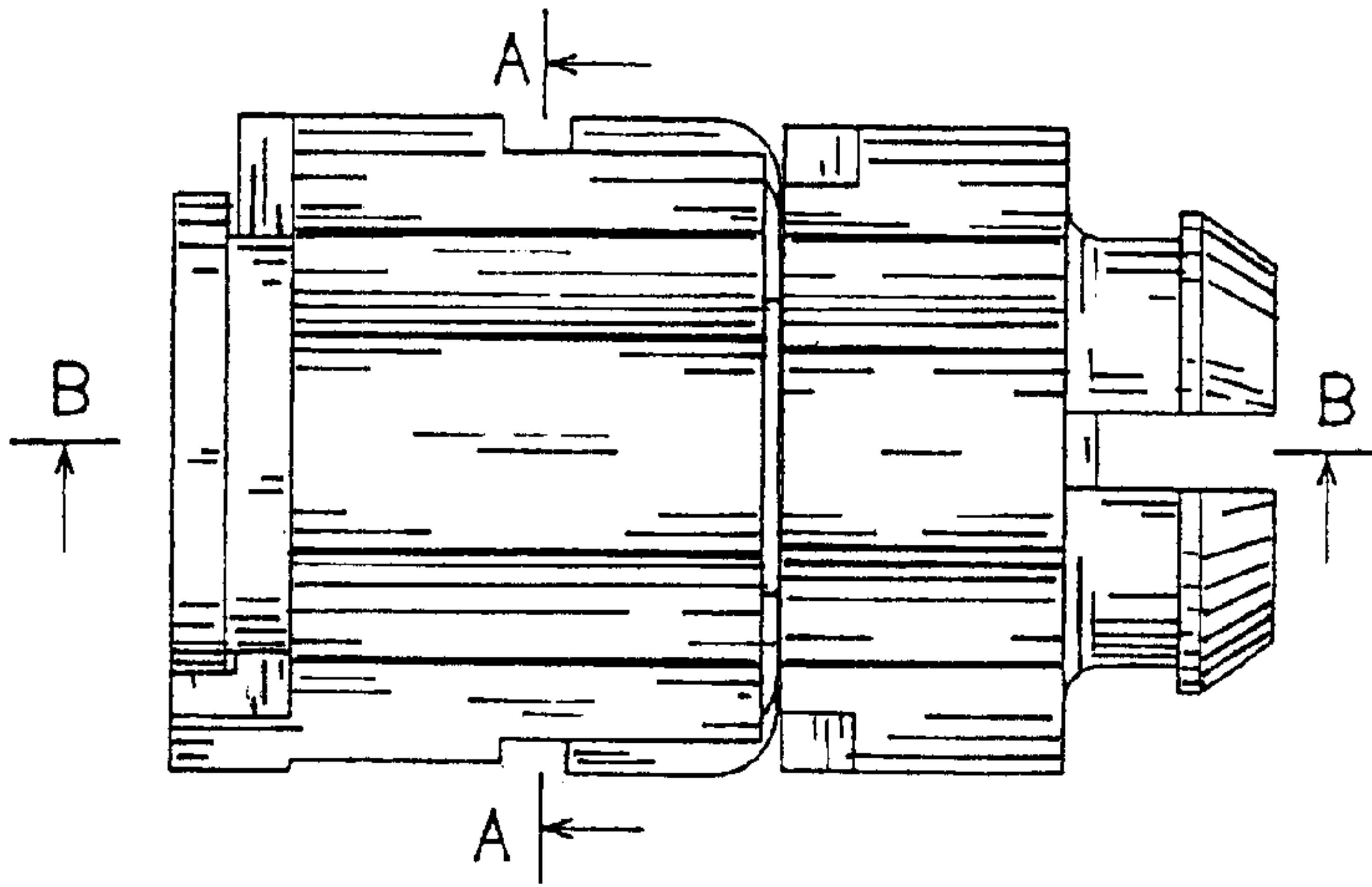


FIG. 1

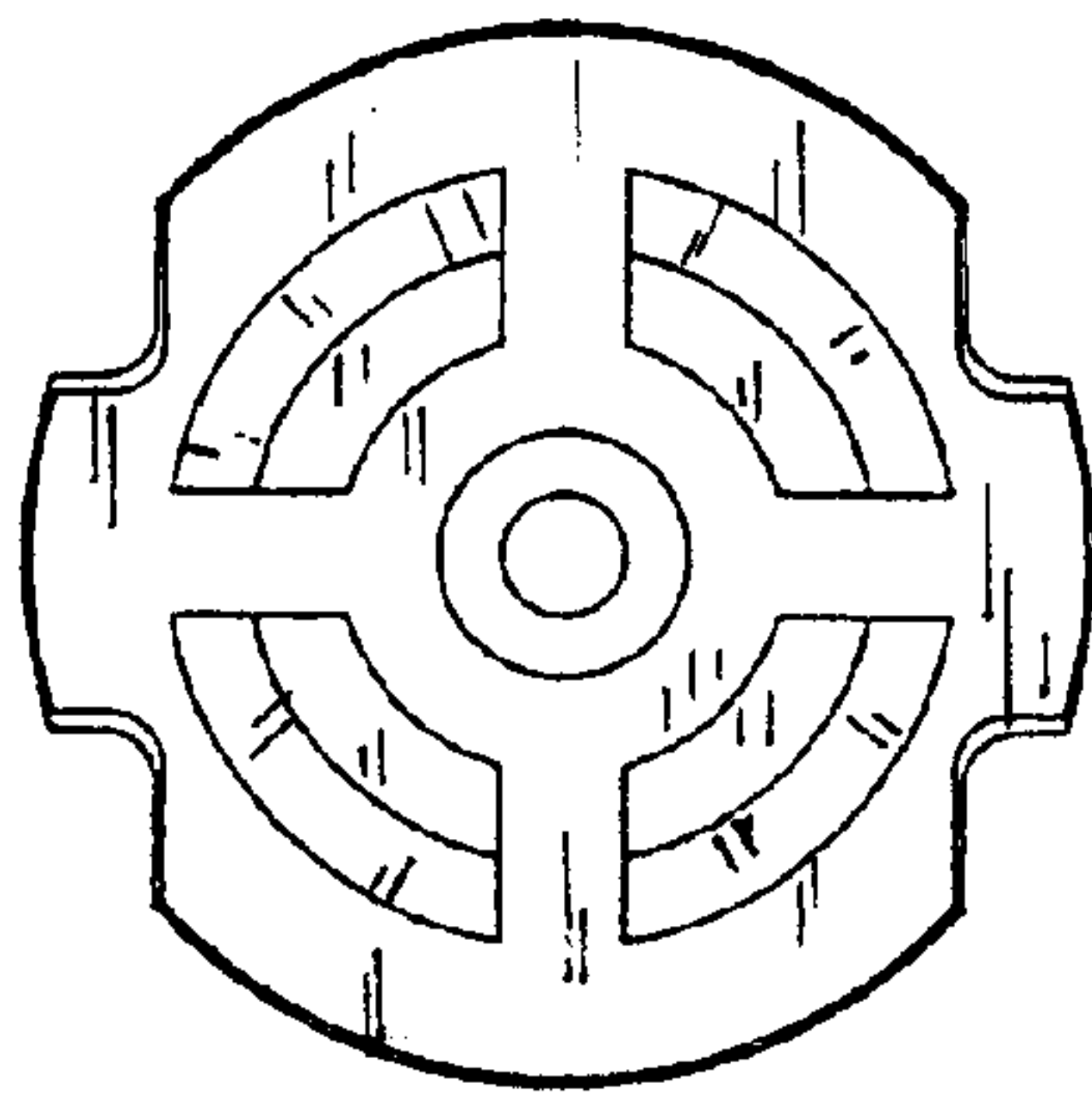


FIG. 2

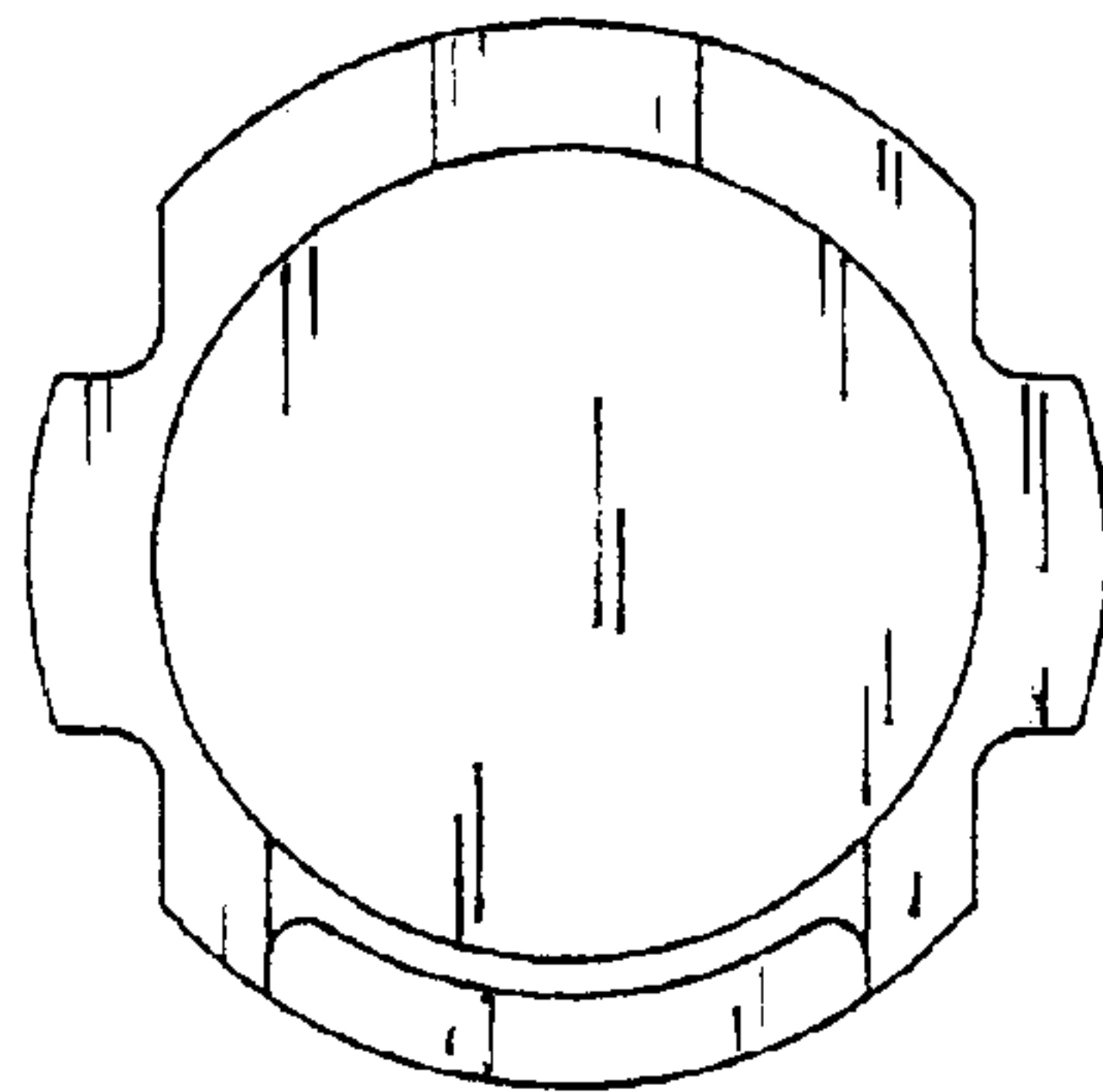


FIG. 3

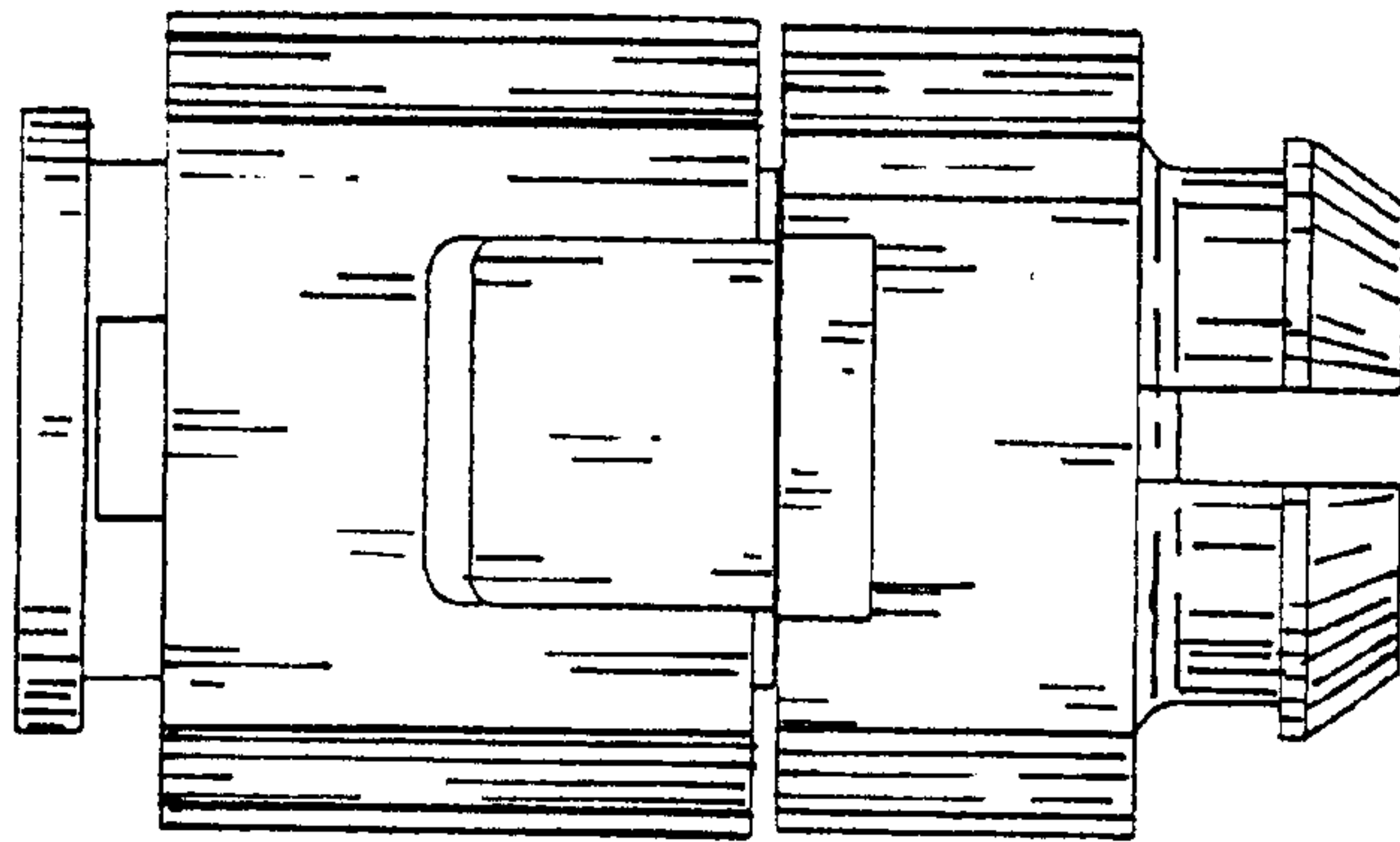


FIG. 4

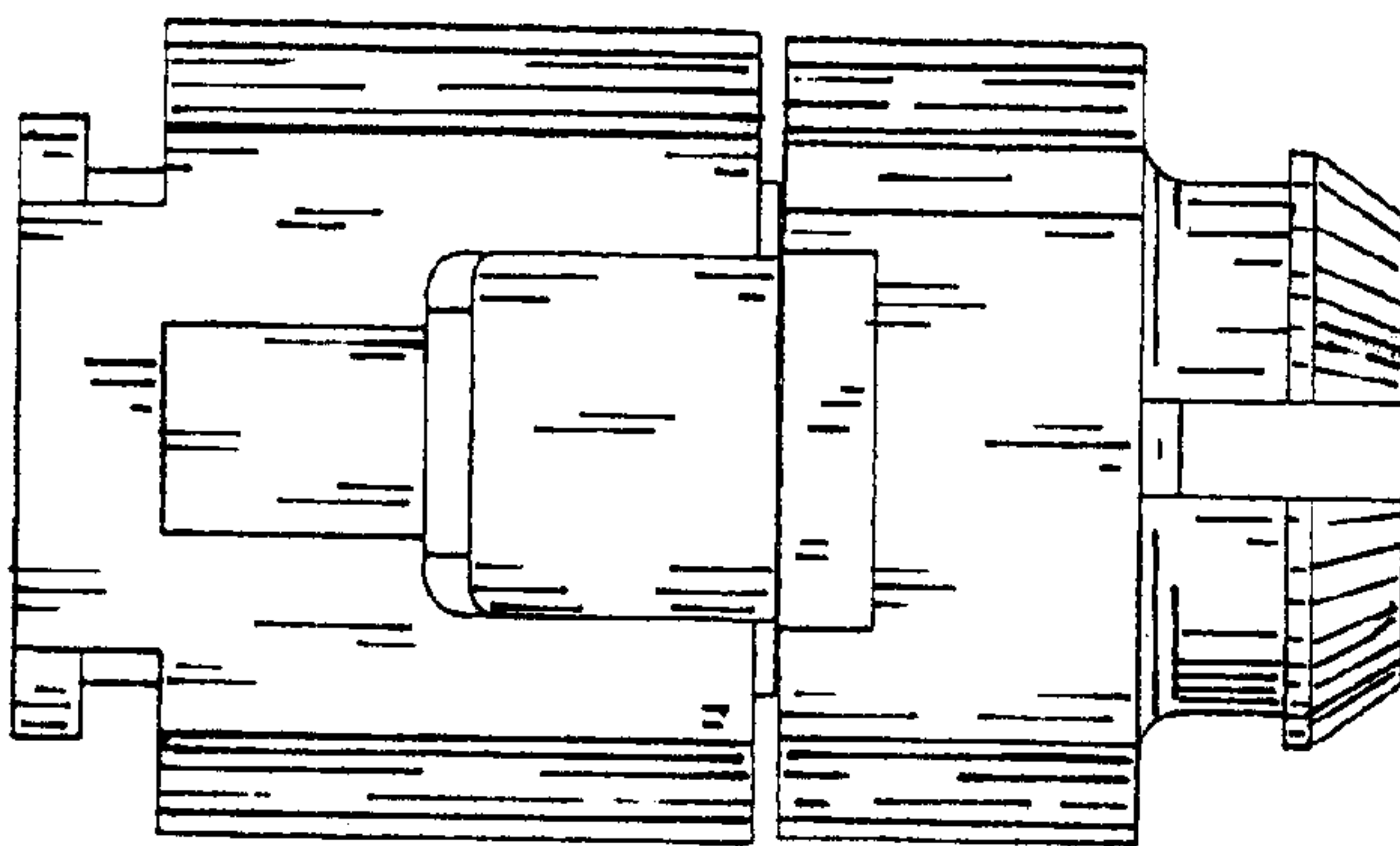


FIG. 5

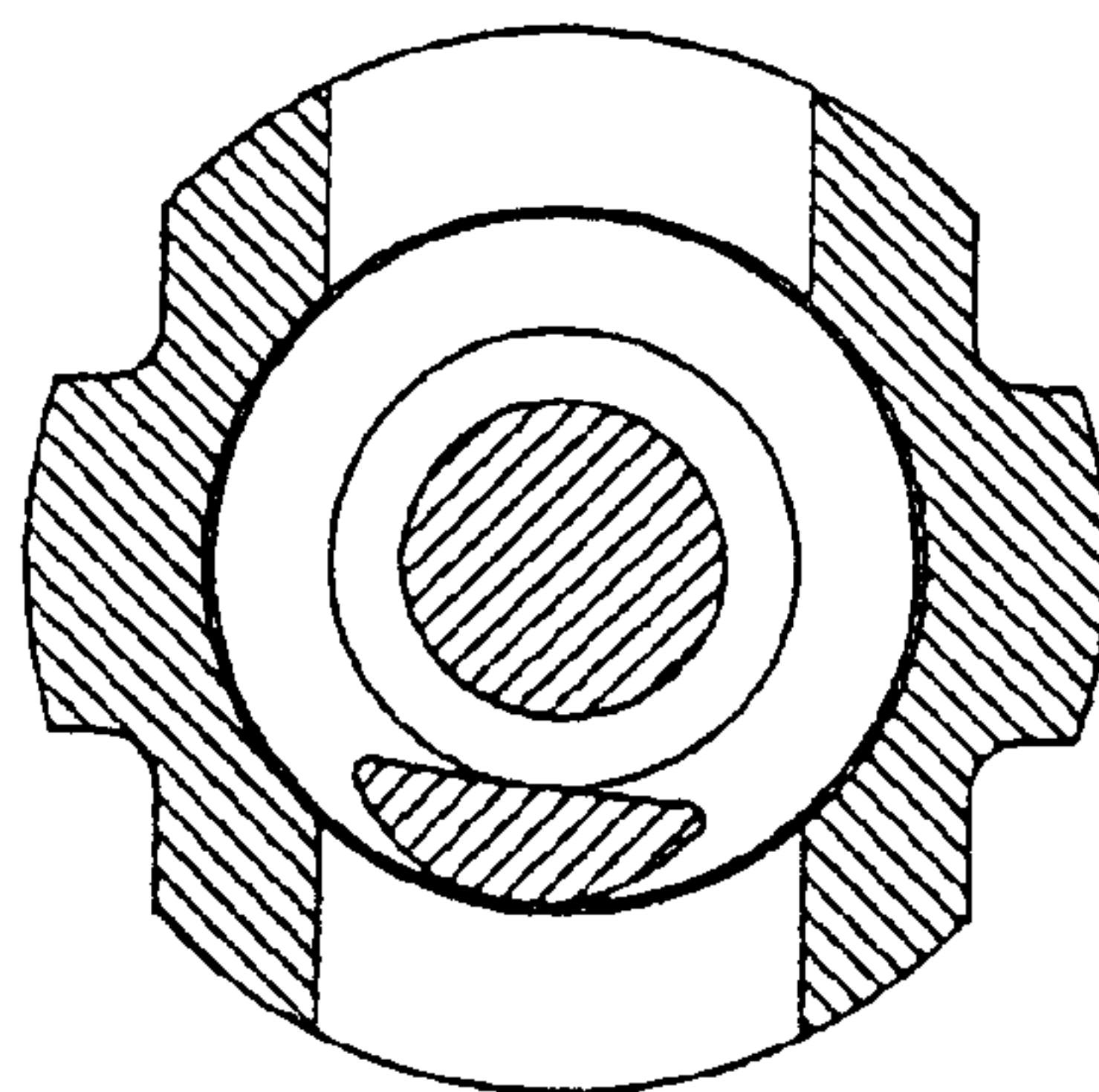


FIG. 6

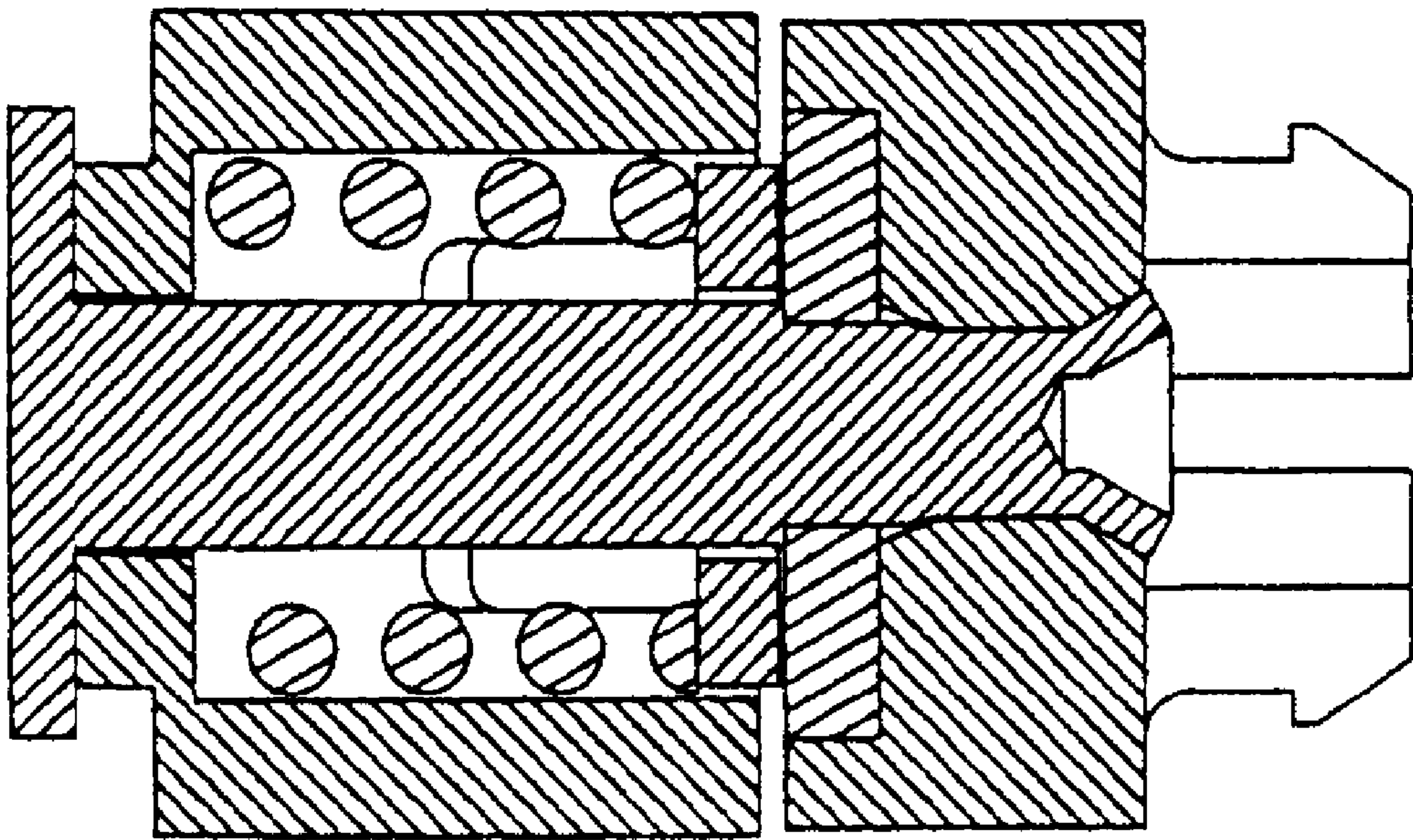


FIG. 7

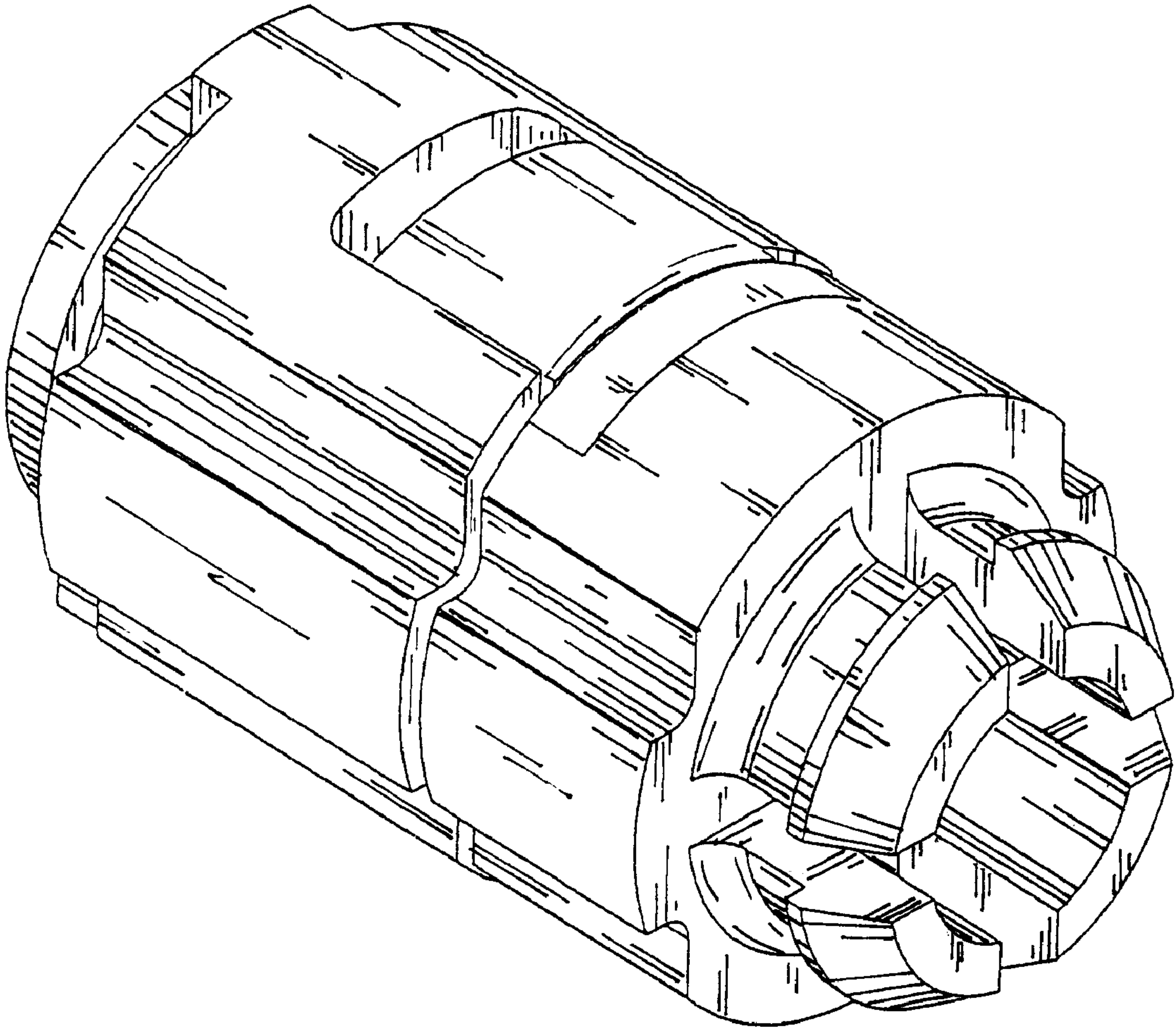


FIG. 8