



US00D480713S

(12) **United States Design Patent**
Wang

(10) **Patent No.:** **US D480,713 S**

(45) **Date of Patent:** **** Oct. 14, 2003**

(54) **ANTENNA**

(75) **Inventor:** **Cheng-Si Wang**, Changhua Hsien (TW)

(73) **Assignee:** **Cheng-Fa Wang** (TW)

(**) **Term:** **14 Years**

(21) **Appl. No.:** **29/167,507**

(22) **Filed:** **Sep. 17, 2002**

(51) **LOC (7) Cl.** **14-03**

(52) **U.S. Cl.** **D14/235**

(58) **Field of Search** D14/230, 234,
D14/235, 237, 238; 343/805, 809, 866,
869, 741, 872, 873, 882, 726-728, 878,
765

(56) **References Cited**

U.S. PATENT DOCUMENTS

5,764,194 A * 6/1998 Brown 343/726
D414,495 S * 9/1999 Heiligenstein et al. D14/234
D414,777 S * 10/1999 Tsai D14/230

D421,610 S * 3/2000 Ghalebi D14/235
D449,593 S * 10/2001 Schultz D14/235
6,535,178 B1 * 3/2003 Wang 343/882

* cited by examiner

Primary Examiner—Louis S. Zarfes

Assistant Examiner—Deanne Levy

(74) *Attorney, Agent, or Firm*—Bacon & Thomas PLLC

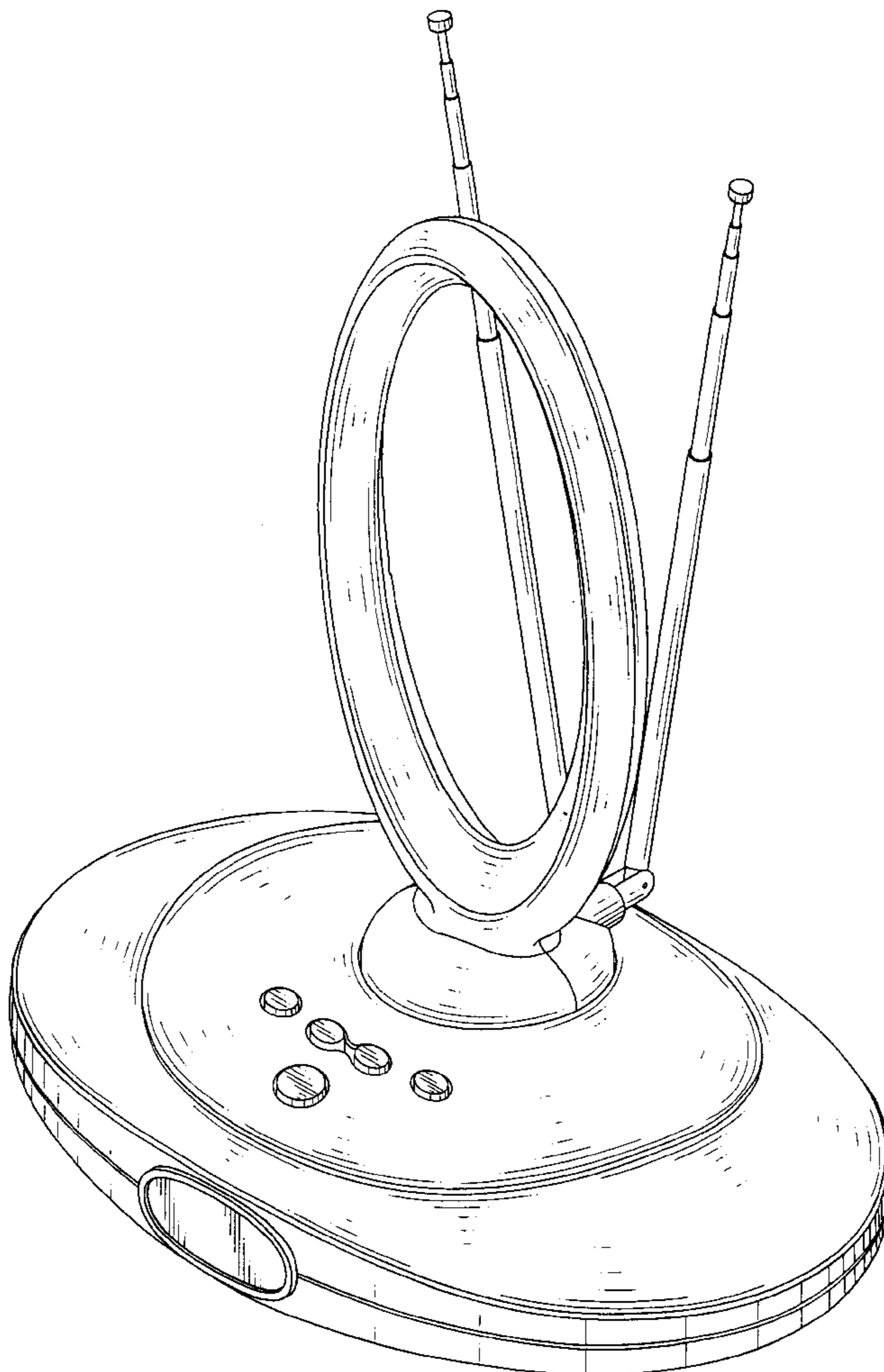
(57) **CLAIM**

The ornamental design for an antenna, as shown.

DESCRIPTION

FIG. 1 is a front-right-top perspective view of an antenna, showing my new design;
FIG. 2 is a front elevational view thereof;
FIG. 3 is a rear elevational view thereof;
FIG. 4 is a left side elevational view thereof;
FIG. 5 is a right side elevational view thereof;
FIG. 6 is a top plan view thereof; and,
FIG. 7 is a bottom plan view thereof.

1 Claim, 5 Drawing Sheets



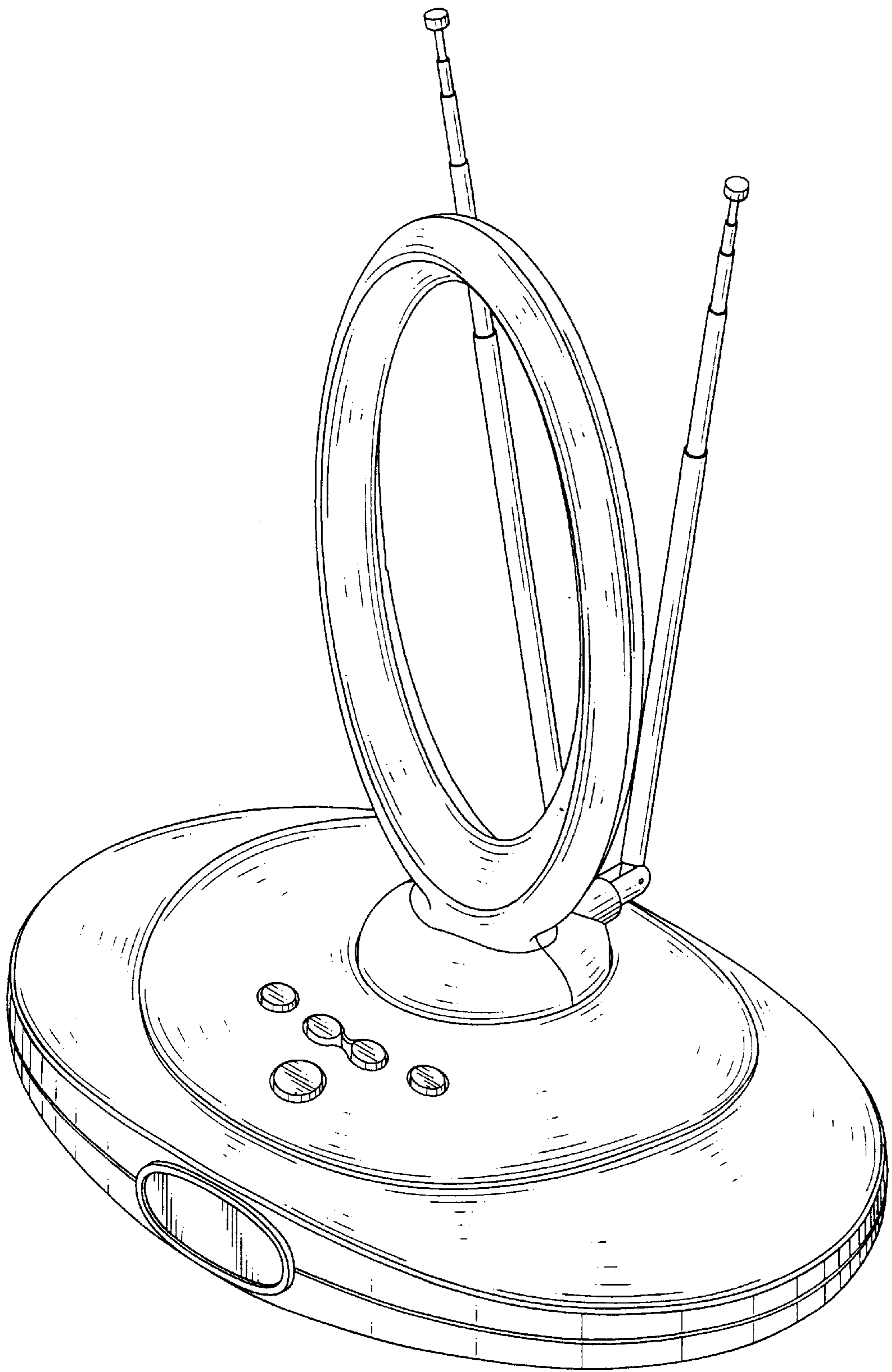


FIG.1

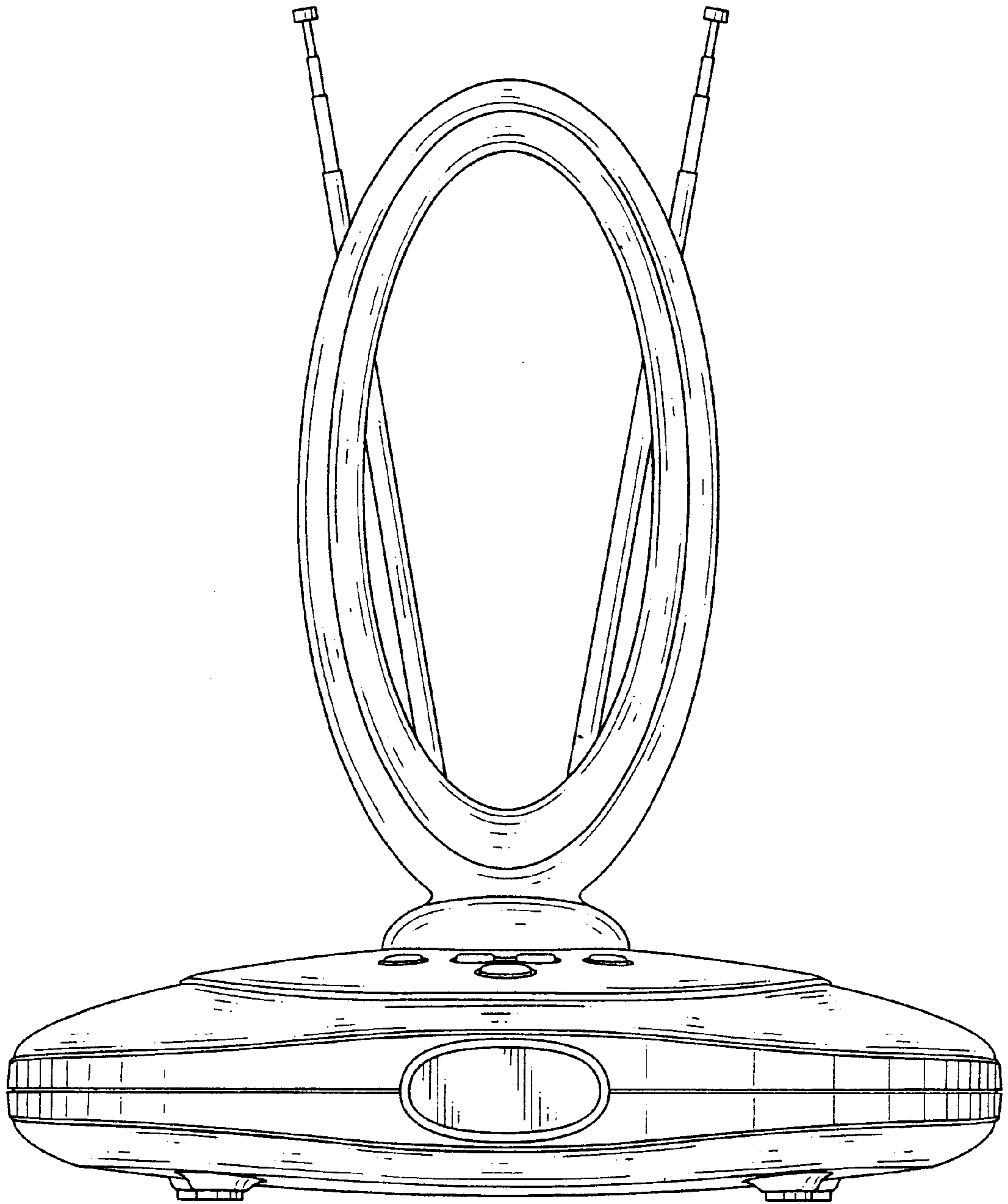


FIG. 2

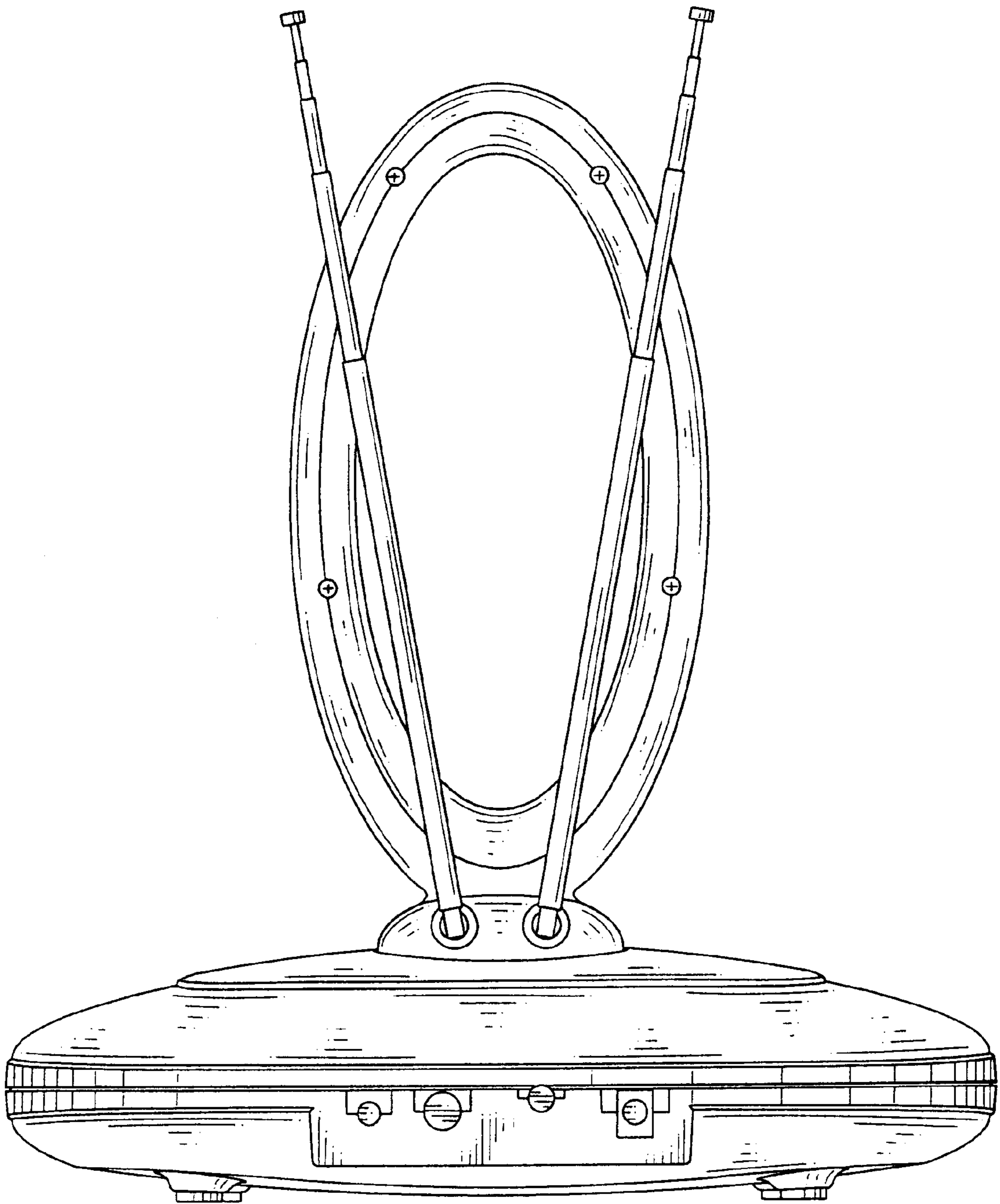


FIG. 3

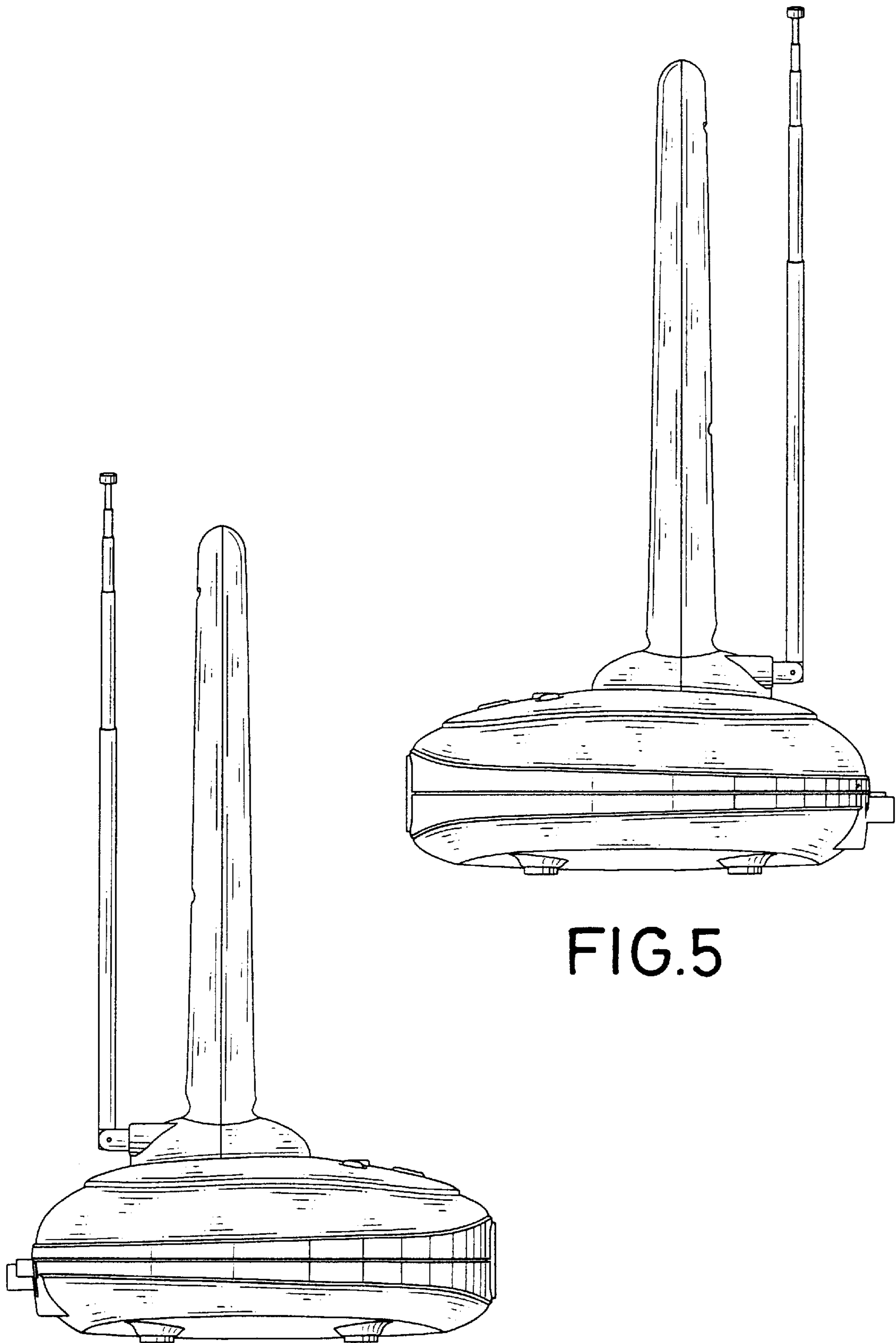


FIG.4

FIG.5

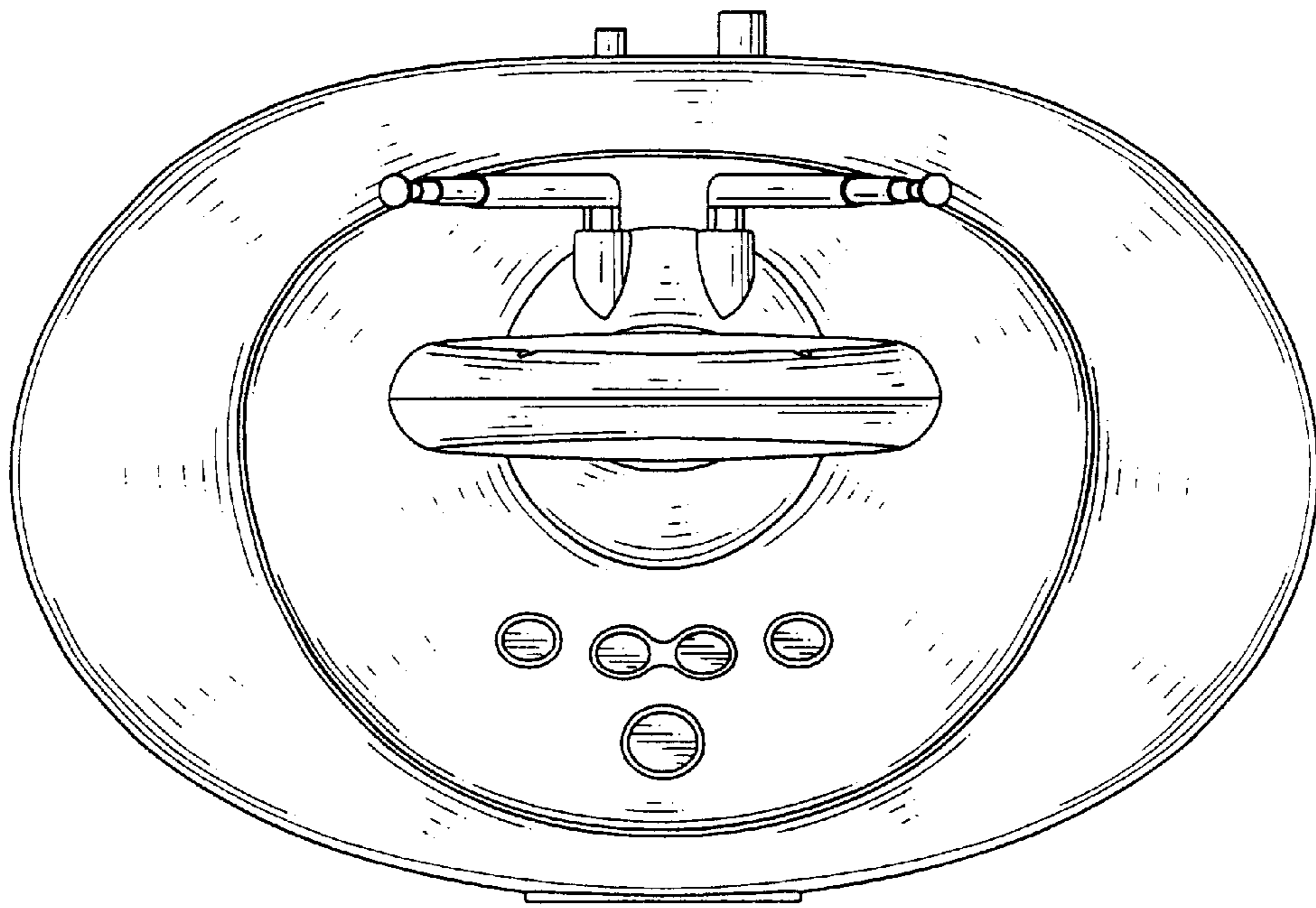


FIG. 6

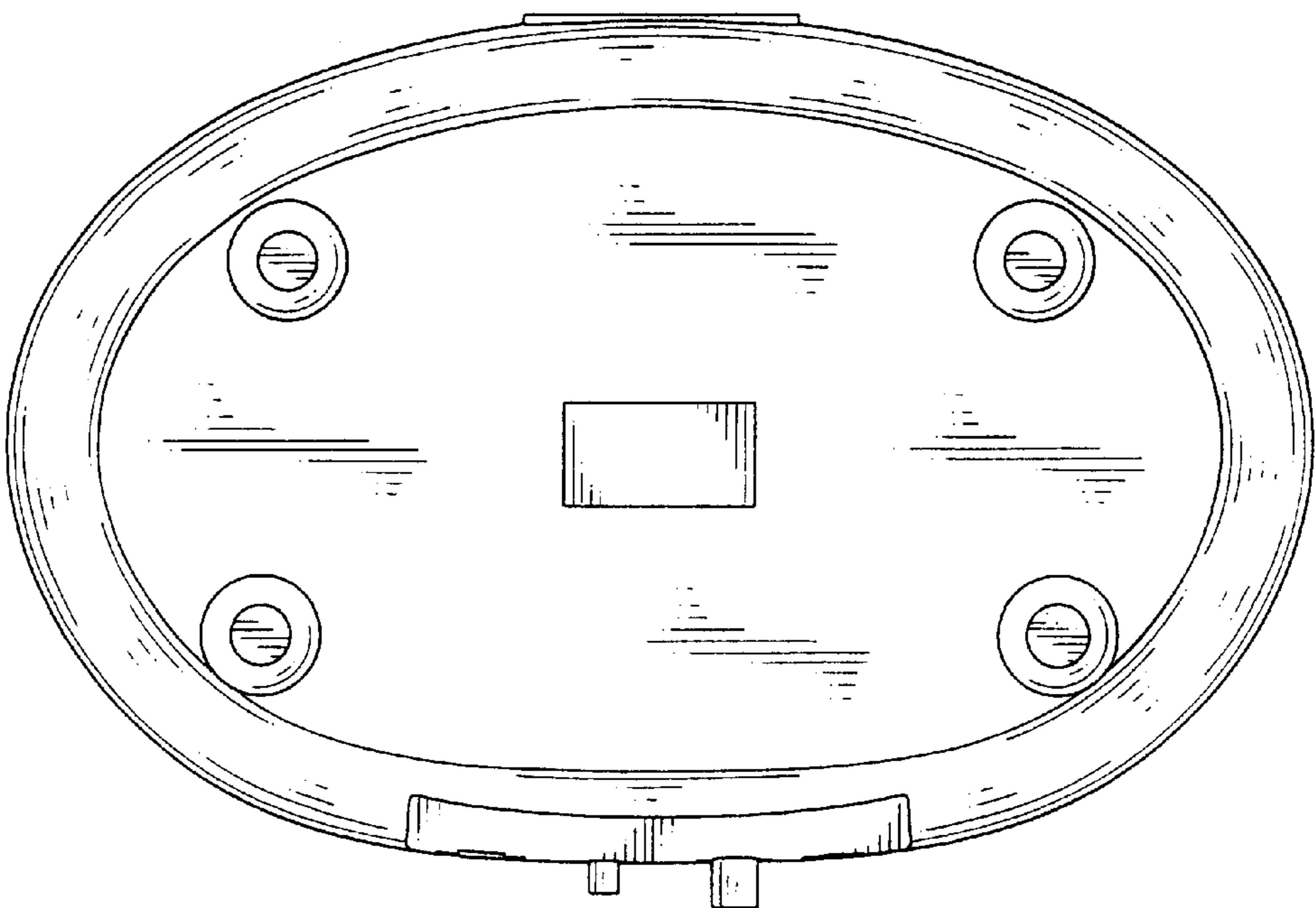


FIG. 7