



US00D480704S

(12) **United States Design Patent**
Ryu

(10) **Patent No.:** **US D480,704 S**

(45) **Date of Patent:** **** Oct. 14, 2003**

(54) **COMPUTER SPEAKER**

(75) Inventor: **Chong Bum Ryu, Seoul (KR)**

(73) Assignee: **Namsung Corporation, Seoul (KR)**

(**) Term: **14 Years**

(21) Appl. No.: **29/166,214**

(22) Filed: **Aug. 23, 2002**

(51) **LOC (7) Cl.** **14-01**

(52) **U.S. Cl.** **D14/211**

(58) **Field of Search** D14/204, 207,
D14/209-216, 356; 181/143-145, 147-148,
150, 153, 157, 198-199; 381/300-302,
306, 333, 345, 361-364, 386-388

(56) **References Cited**

U.S. PATENT DOCUMENTS

- D416,259 S * 11/1999 Hoyt et al. D14/214
- D437,305 S * 2/2001 Dietz et al. D14/211
- D437,843 S * 2/2001 Masui D14/215

- D438,530 S * 3/2001 Sawhney et al. D14/211
- D442,165 S * 5/2001 Cho D14/214
- D449,829 S * 10/2001 Gustavsson et al. D14/214

* cited by examiner

Primary Examiner—Nanda Bondade

(74) *Attorney, Agent, or Firm*—Merchant & Gould P.C.

(57) **CLAIM**

The ornamental design for computer speaker, as shown and described.

DESCRIPTION

FIG. 1 is a perspective view of a computer speaker showing my new design;
 FIG. 2 is a front view thereof;
 FIG. 3 is a rear view thereof;
 FIG. 4 is a left side view thereof, the right side view being a mirror image;
 FIG. 5 is a top view thereof; and,
 FIG. 6 is a bottom view thereof.

1 Claim, 3 Drawing Sheets

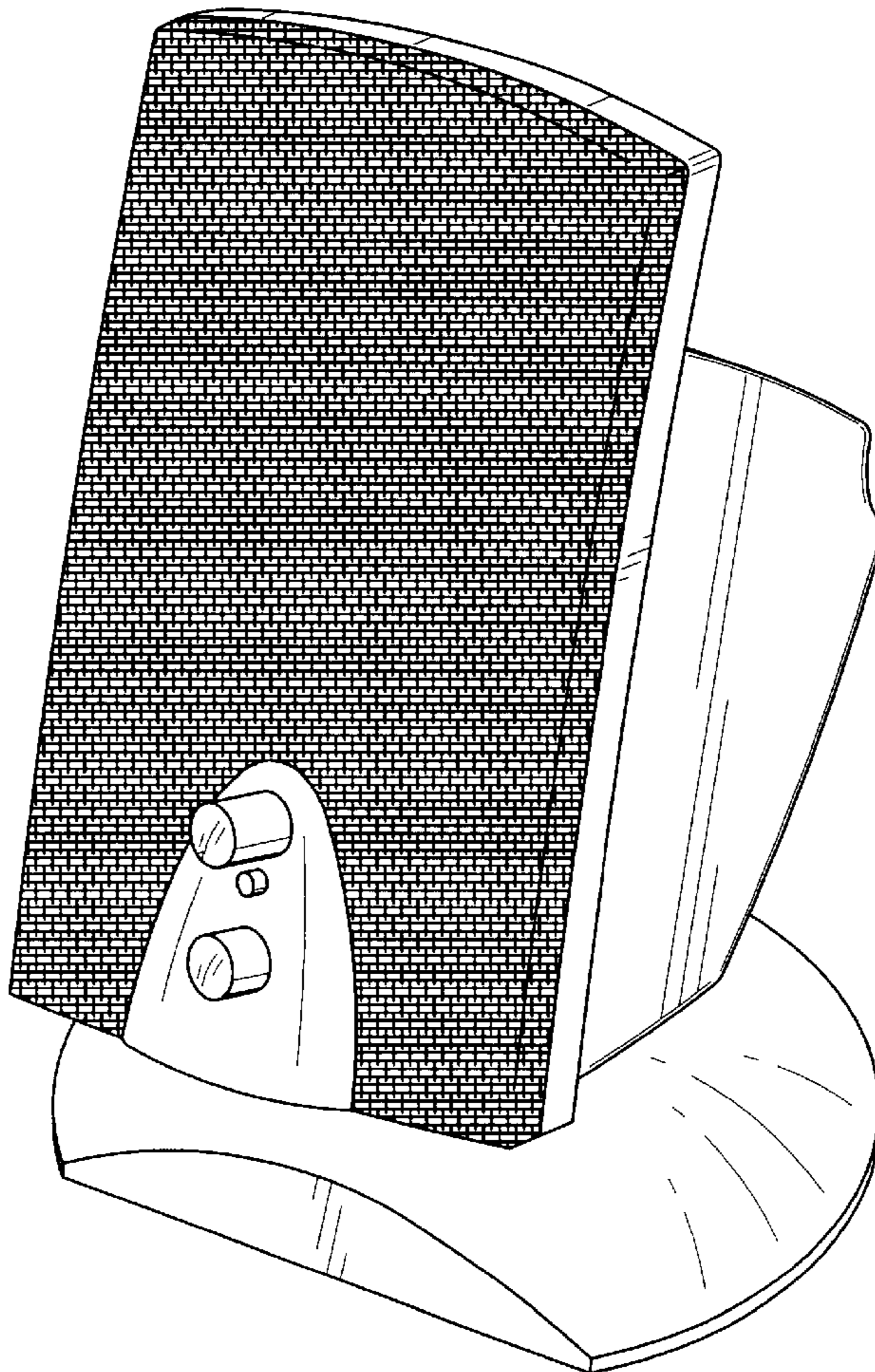


FIG. 1

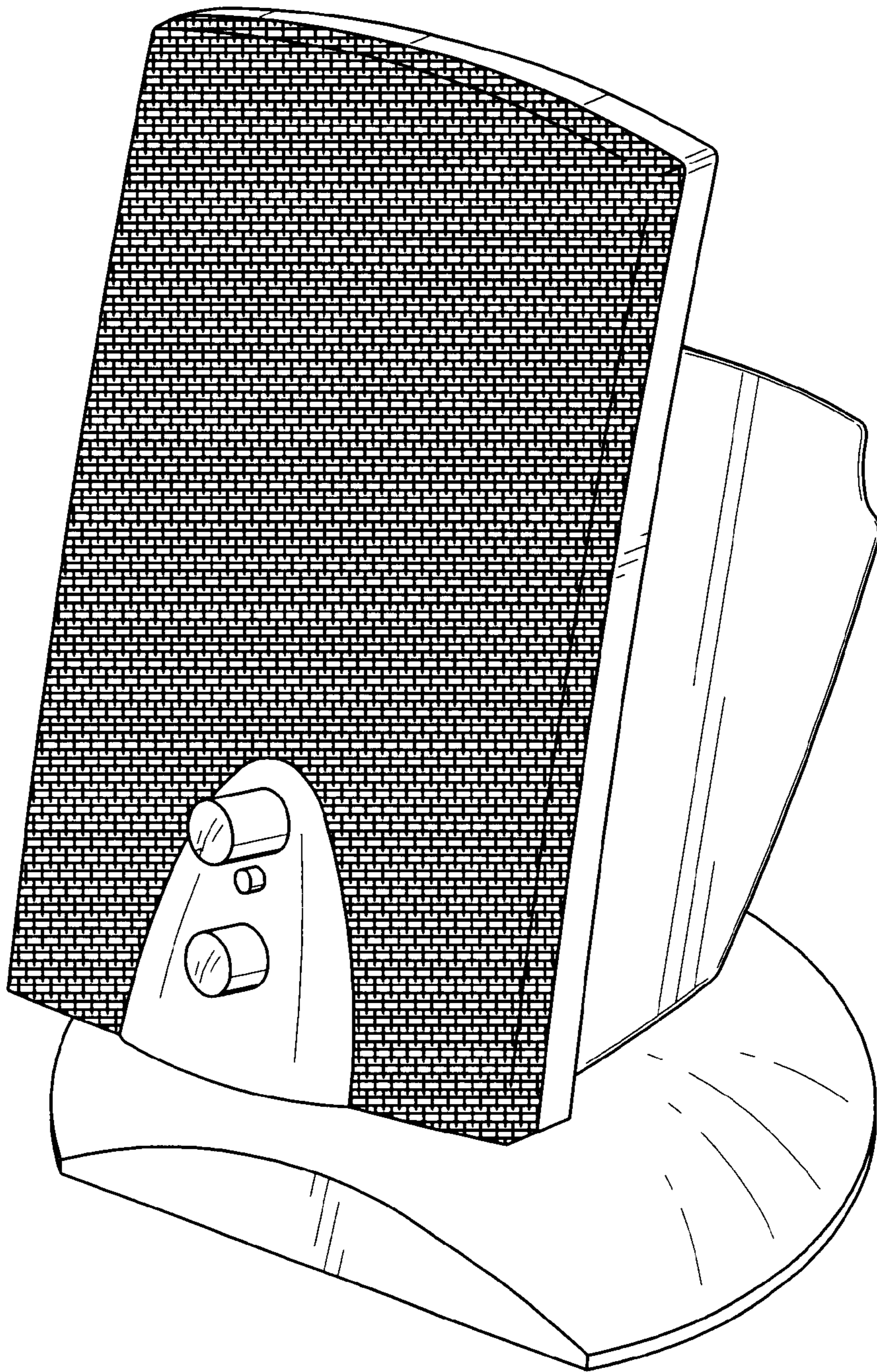


FIG.3

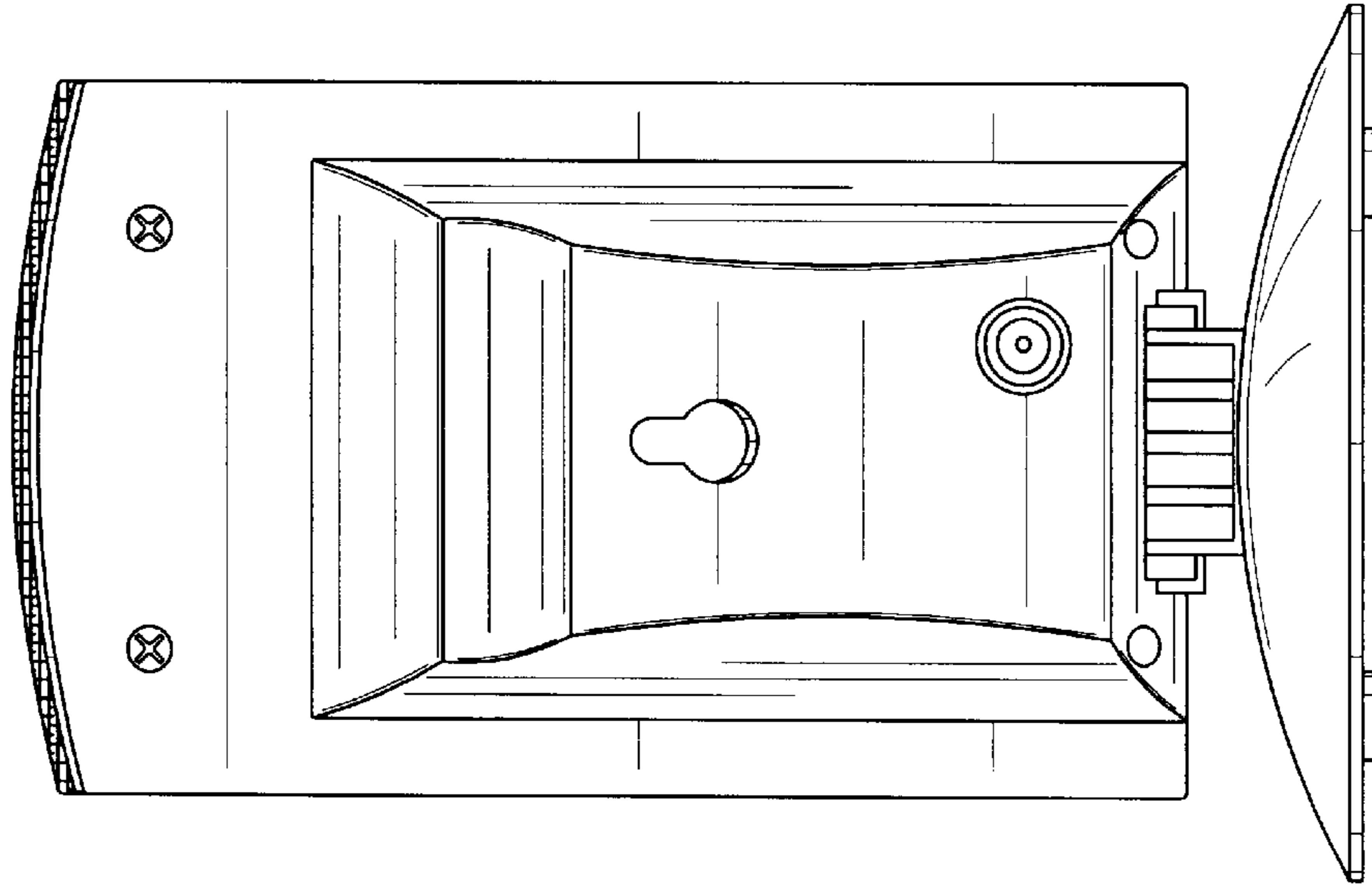
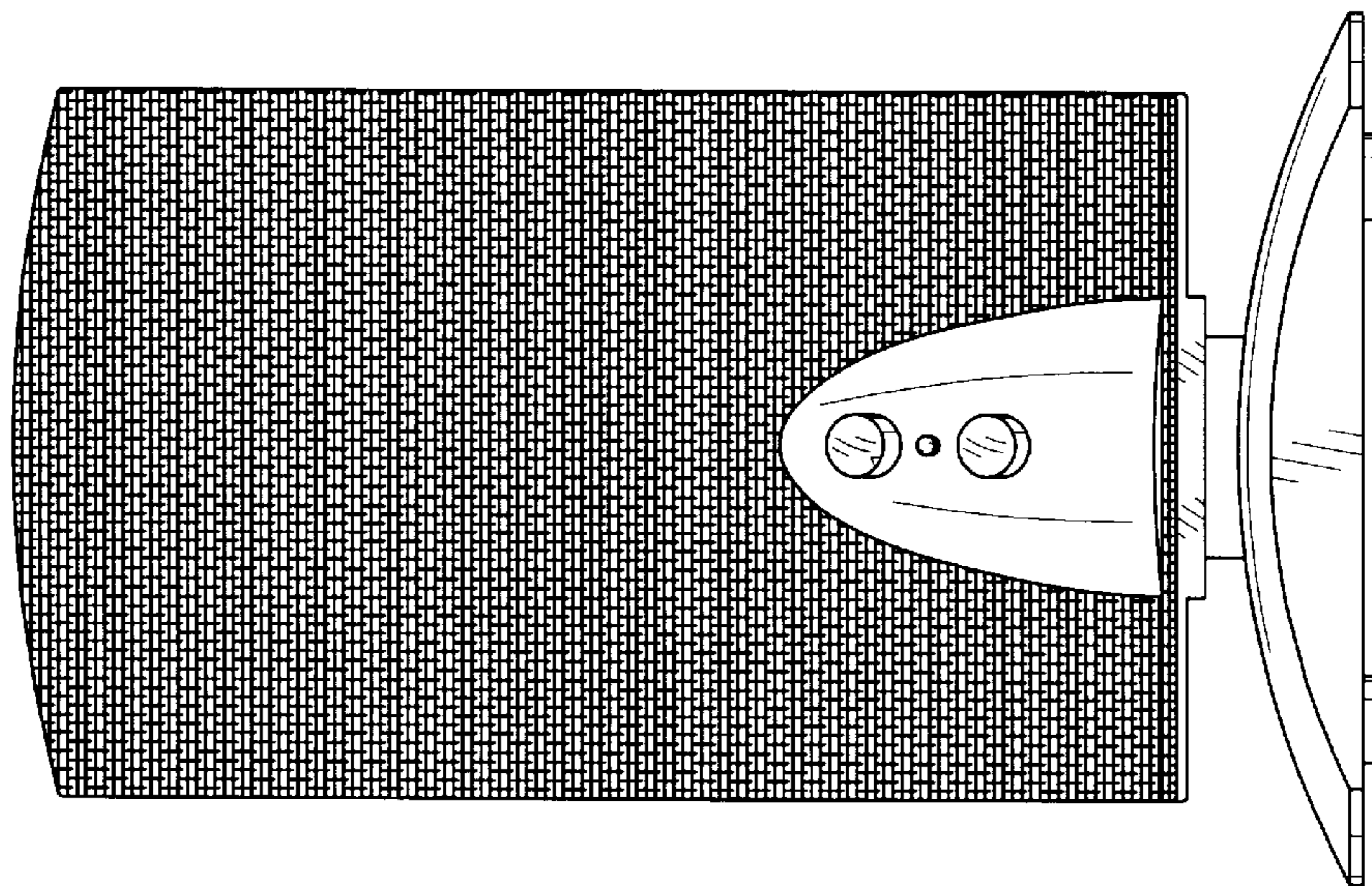


FIG.2



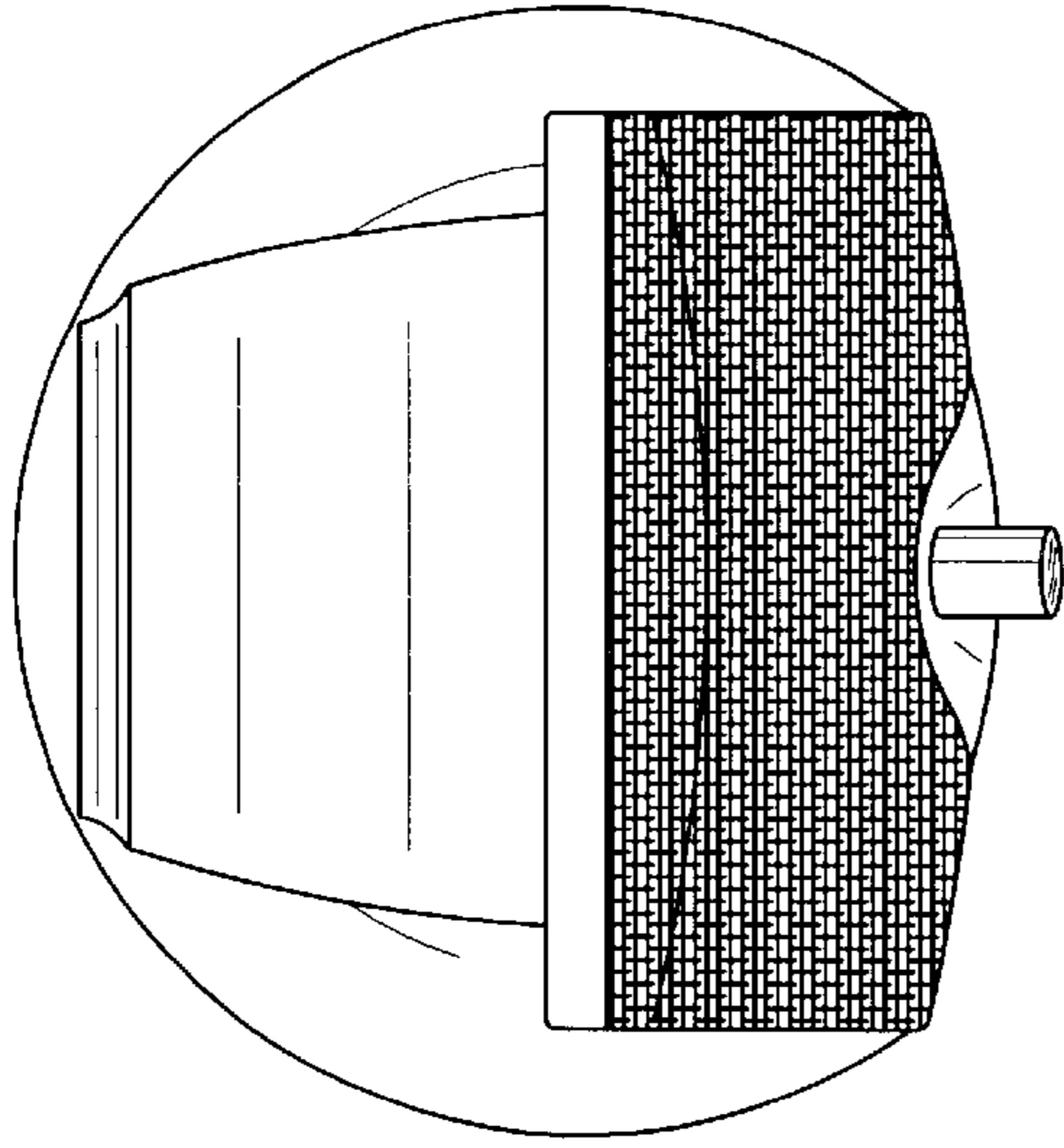


FIG. 5

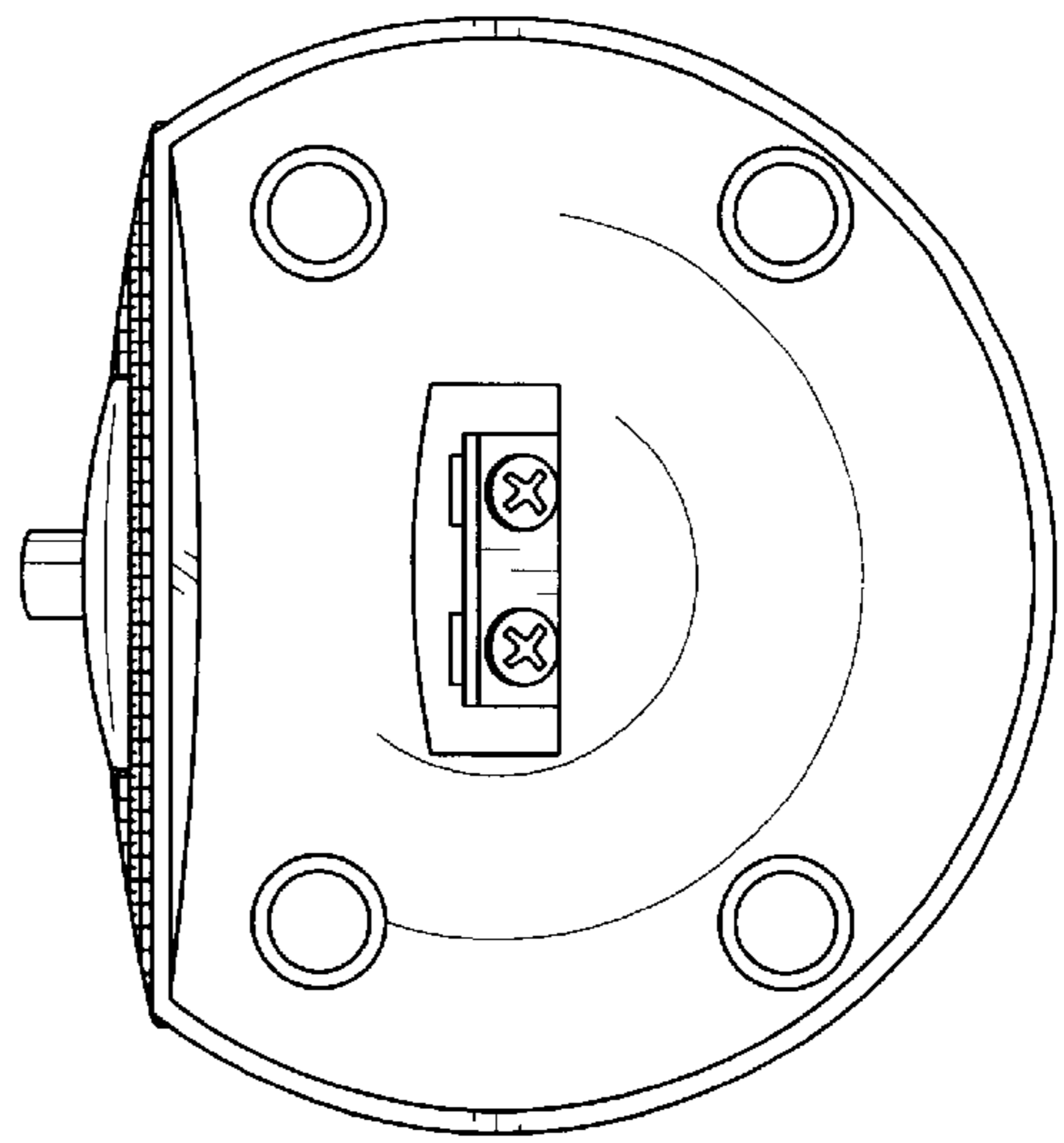


FIG. 6

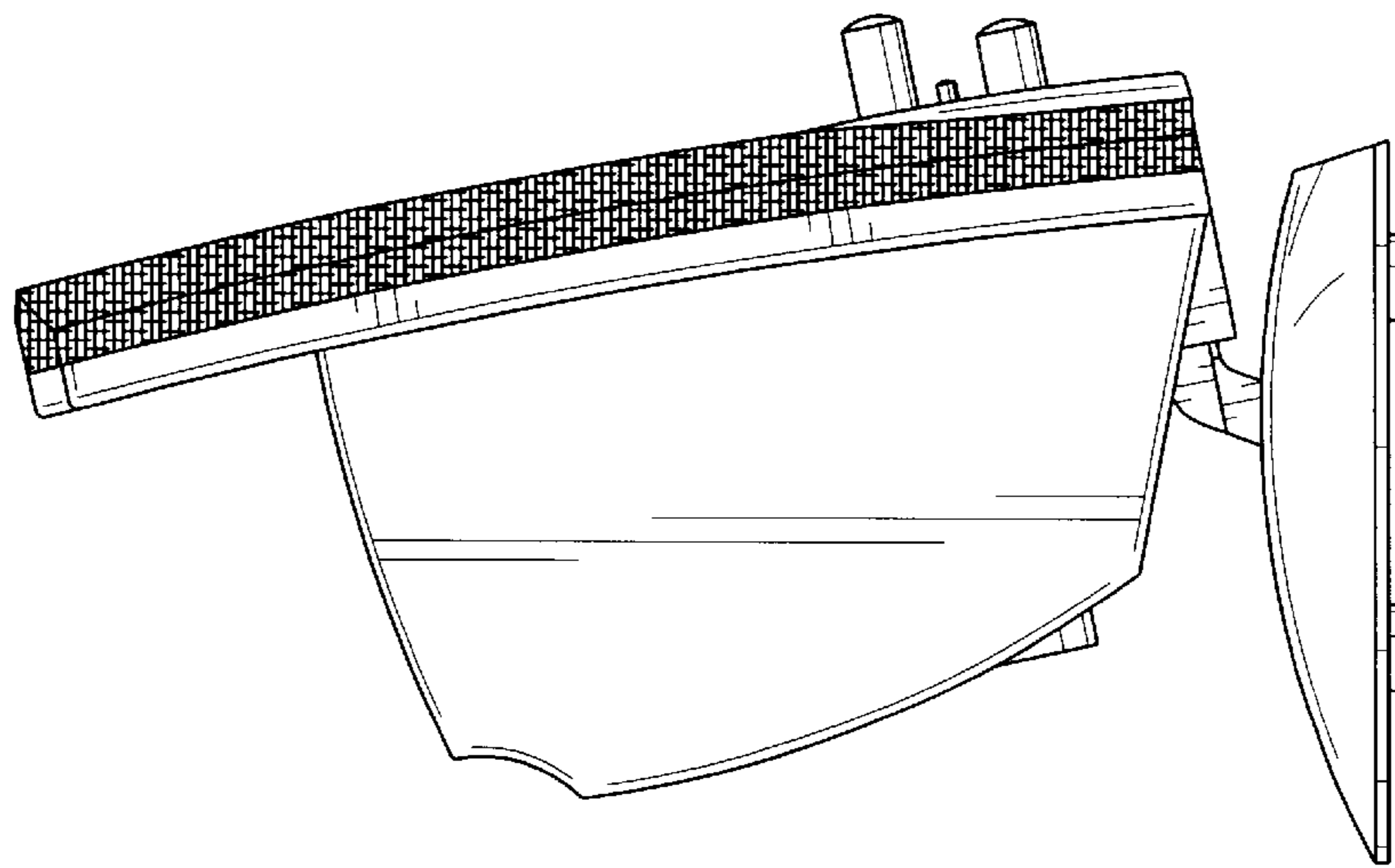


FIG. 4