



US00D480701S

(12) **United States Design Patent**
Sogabe

(10) **Patent No.: US D480,701 S**

(45) **Date of Patent: ** Oct. 14, 2003**

(54) **DISC PLAYER**

(75) Inventor: **Takashi Sogabe**, Tokyo (JP)

(73) Assignee: **Sony Corporation**, Tokyo (JP)

(**) Term: **14 Years**

(21) Appl. No.: **29/164,698**

(22) Filed: **Jul. 31, 2002**

(51) **LOC (7) Cl. 14-01**

(52) **U.S. Cl. D14/156**

(58) **Field of Search** D14/156-157,
D14/160-165, 167-168, 188-189, 217-218,
299, 496; 312/7.1; 369/75.1, 75.2, 77.1,
77.2

(56) **References Cited**

U.S. PATENT DOCUMENTS

5,848,042 A	*	12/1998	Takahashi et al.	369/75.1
D421,260 S	*	2/2000	Hyogo	D14/156
D444,136 S	*	6/2001	Sogabe	D14/156
D448,357 S	*	9/2001	Oku	D14/156
D451,083 S	*	11/2001	Ito et al.	D14/188

OTHER PUBLICATIONS

Web page "Sony Xplod," <http://www.xplodsony.com/products/?CATEGORY=CD&MD=CDX-L300>, 1 sheet, Sony (Apr. 2002).

Web page "Sony Xplod," <http://www.xplodsony.com/products/?CATEGORY=CD&MD=CDX-MP30>, 1 sheet, Sony (Apr. 2002).

Web page "Sound Monitor," <http://www.fujitsu-ten.co.jp/sml/products/200spring/dta-500x.html>, 1 sheet, FUJITSU (Apr. 2002).

Web page "Carrozzeria," http://www.pioneer.co.jp/carrozzeria/av_new/av_adudio/dehp999hdd.html, 1 sheet, Pioneer (Apr. 2002).

Web page "Sony e-Catalog," <http://www.ecat.sony.co.jp/car/caraudio/products/index.cfm?PD=2199>, 1 sheet, Sony Europe (Jun. 2002).

* cited by examiner

Primary Examiner—Nanda Bondade

(74) *Attorney, Agent, or Firm*—Rader, Fishman & Grauer PLLC

(57) **CLAIM**

The ornamental design for a disc player, as shown.

DESCRIPTION

FIG. 1 is a perspective view of a disc player showing my new design;

FIG. 2 is a front elevational view thereof;

FIG. 3 is a rear elevational view thereof;

FIG. 4 is a left side elevational view thereof;

FIG. 5 is a right side elevational view thereof;

FIG. 6 is a top plan view thereof; and

FIG. 7 is a bottom plan view thereof.

FIG. 8 is a perspective view of another embodiment of a disc player showing my new design;

FIG. 9 is a front elevational view thereof;

FIG. 10 is a rear elevational view thereof;

FIG. 11 is a left side elevational view thereof;

FIG. 12 is a right side elevational view thereof;

FIG. 13 is a top plan view thereof; and,

FIG. 14 is a bottom plan view thereof.

1 Claim, 8 Drawing Sheets

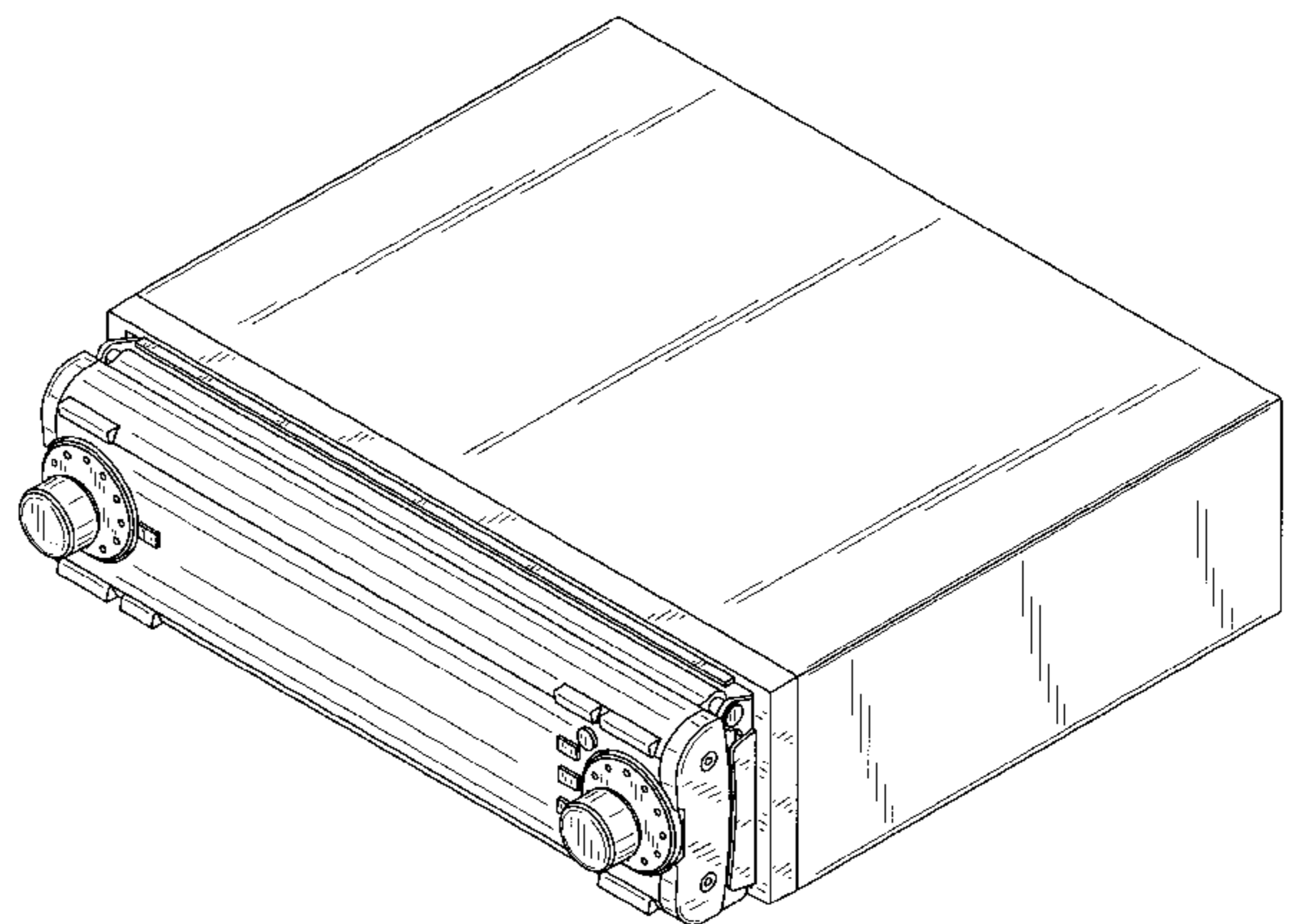
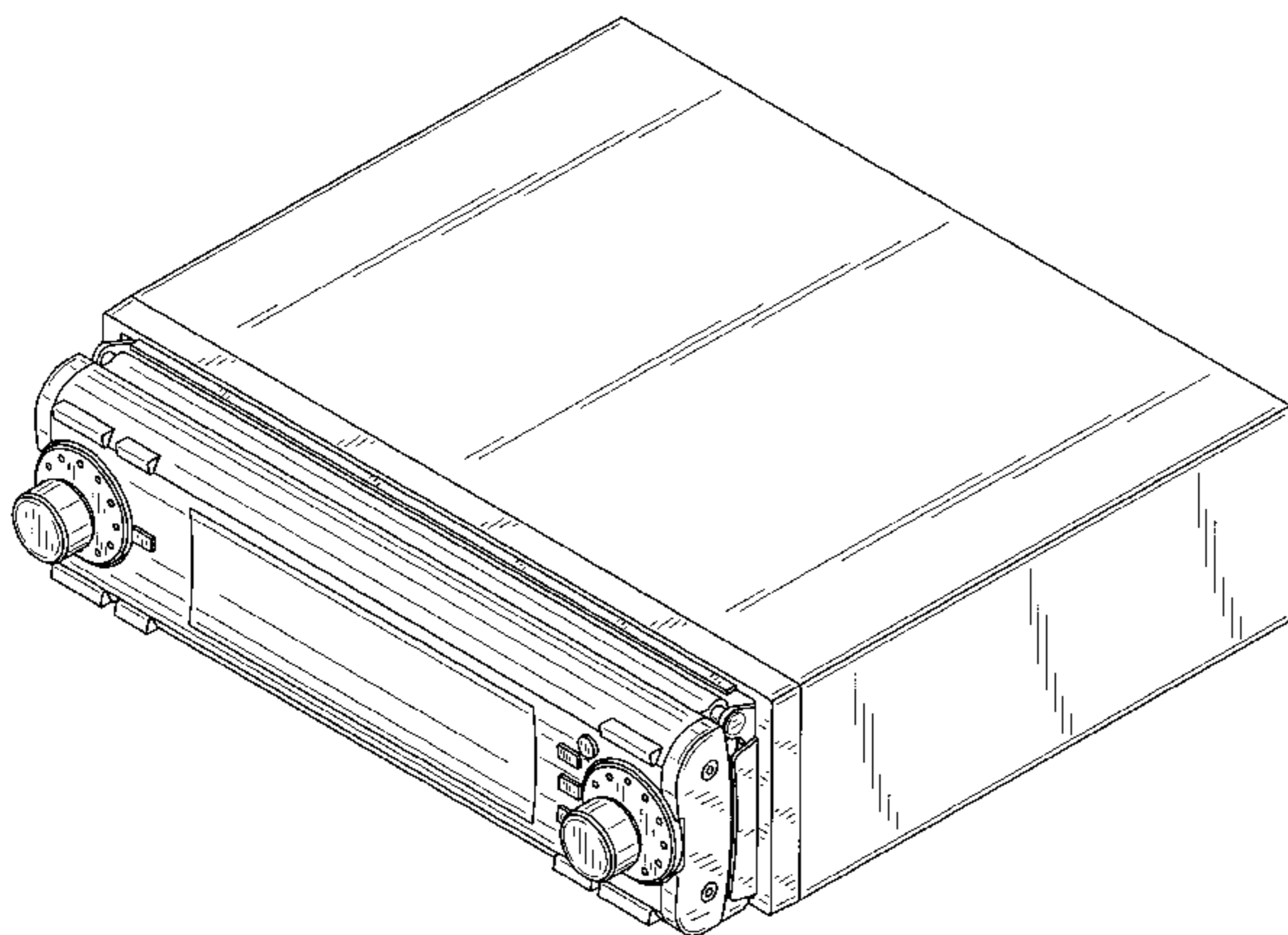


FIG. 1

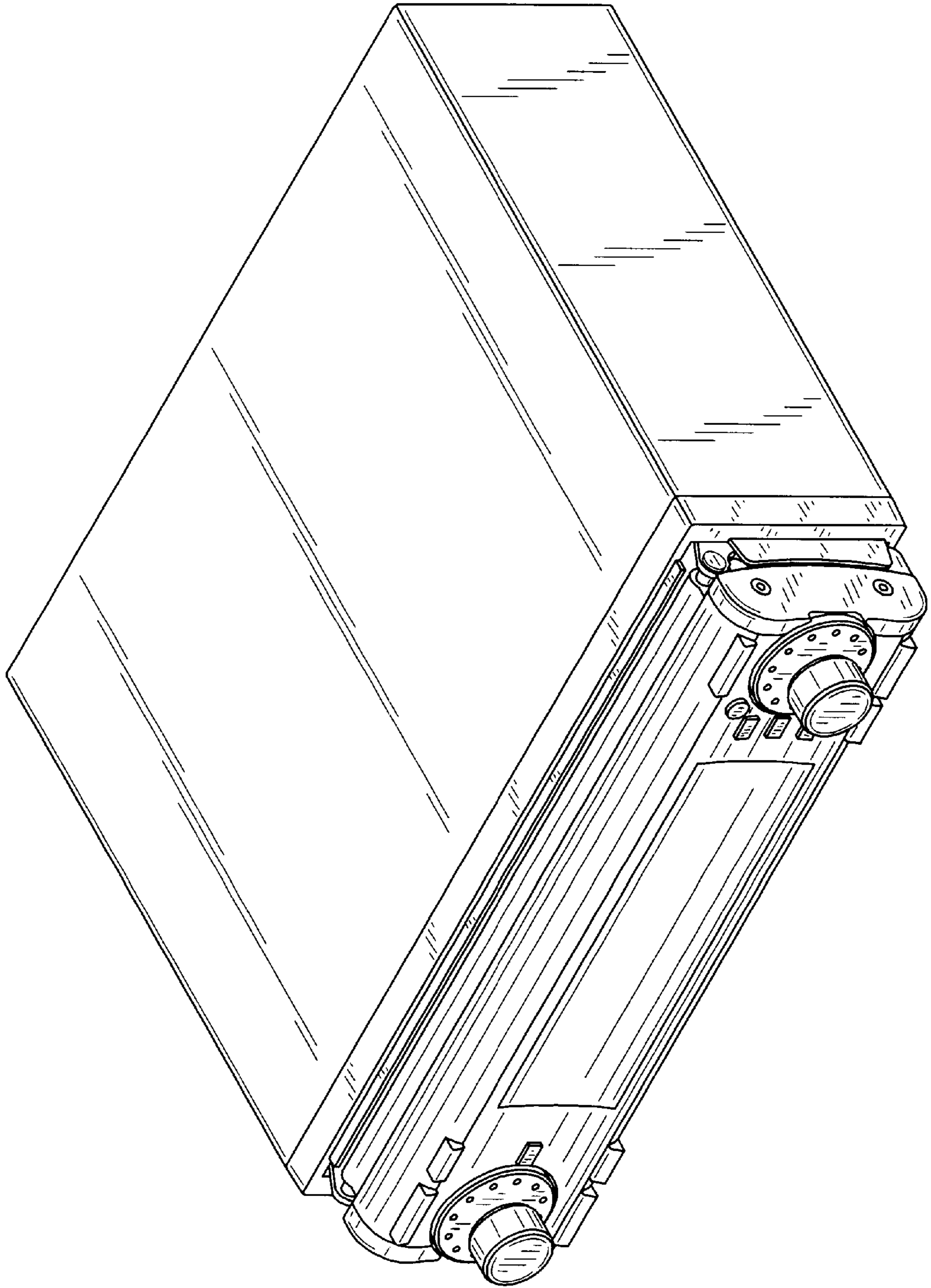


FIG. 2

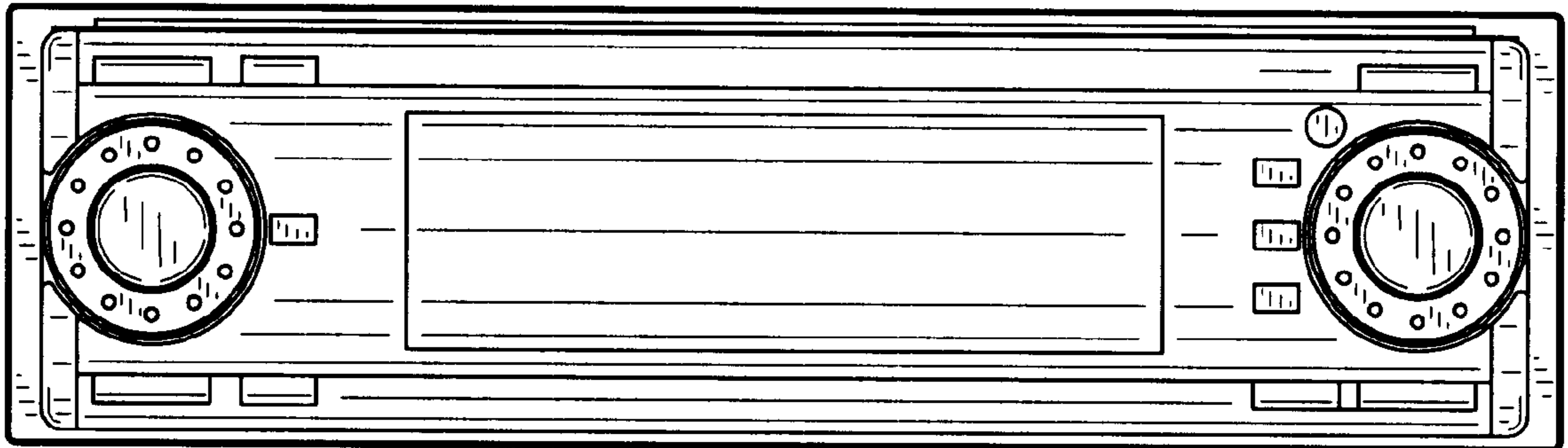


FIG. 3

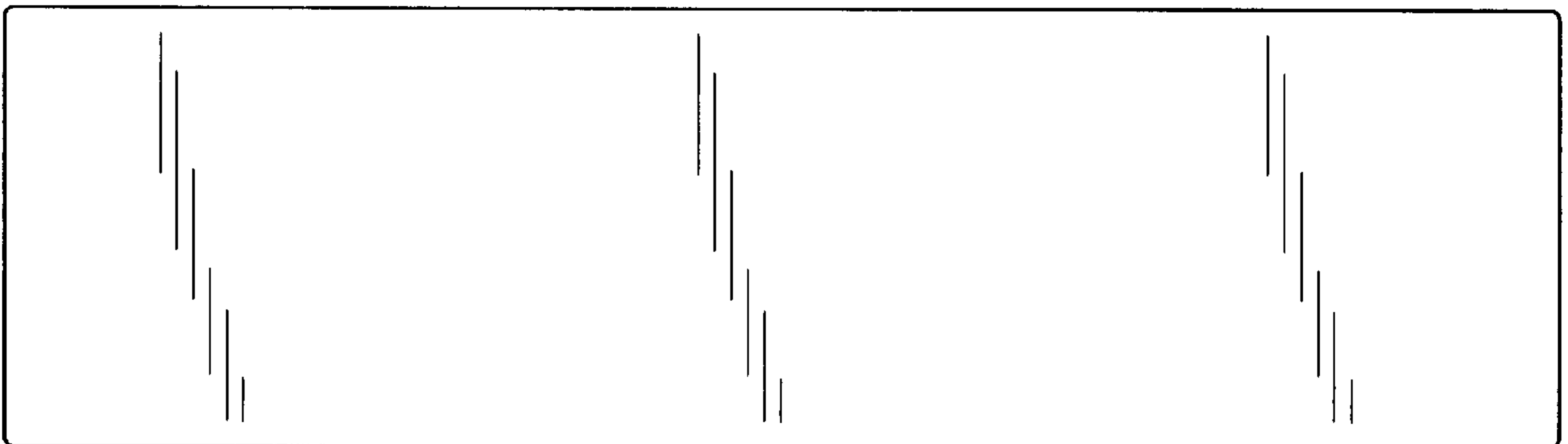


FIG. 4

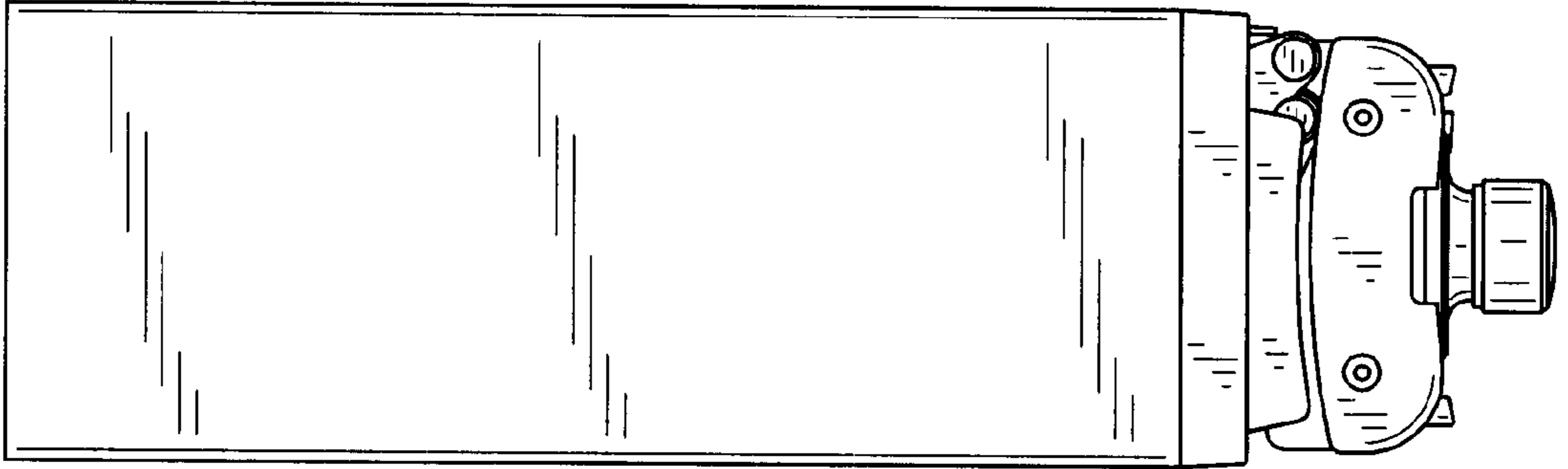


FIG. 5

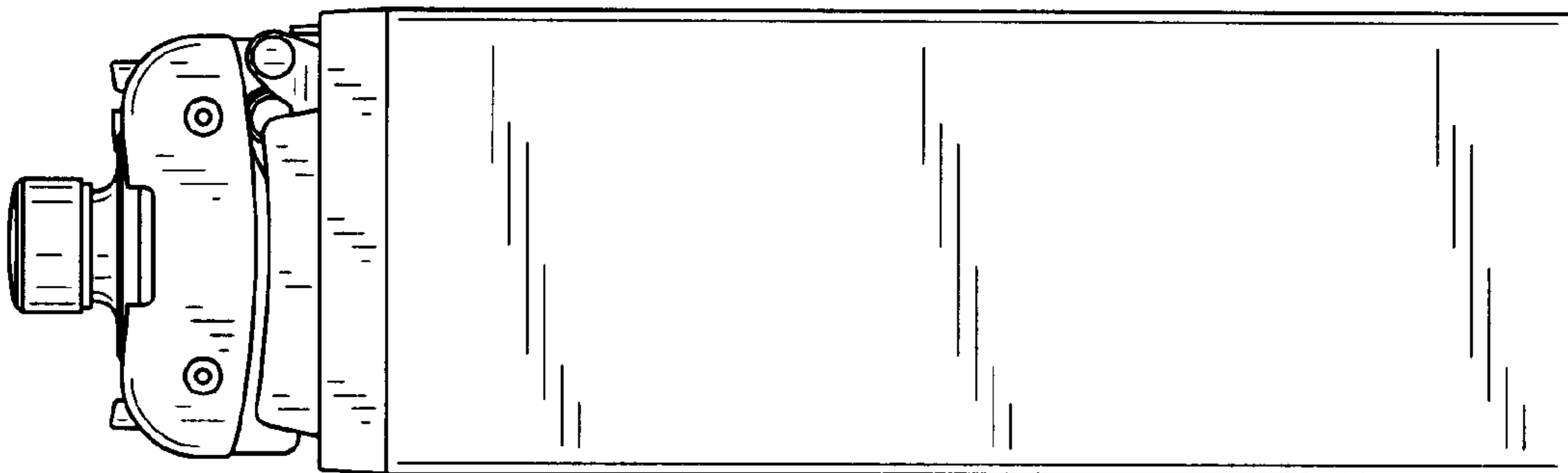


FIG. 6

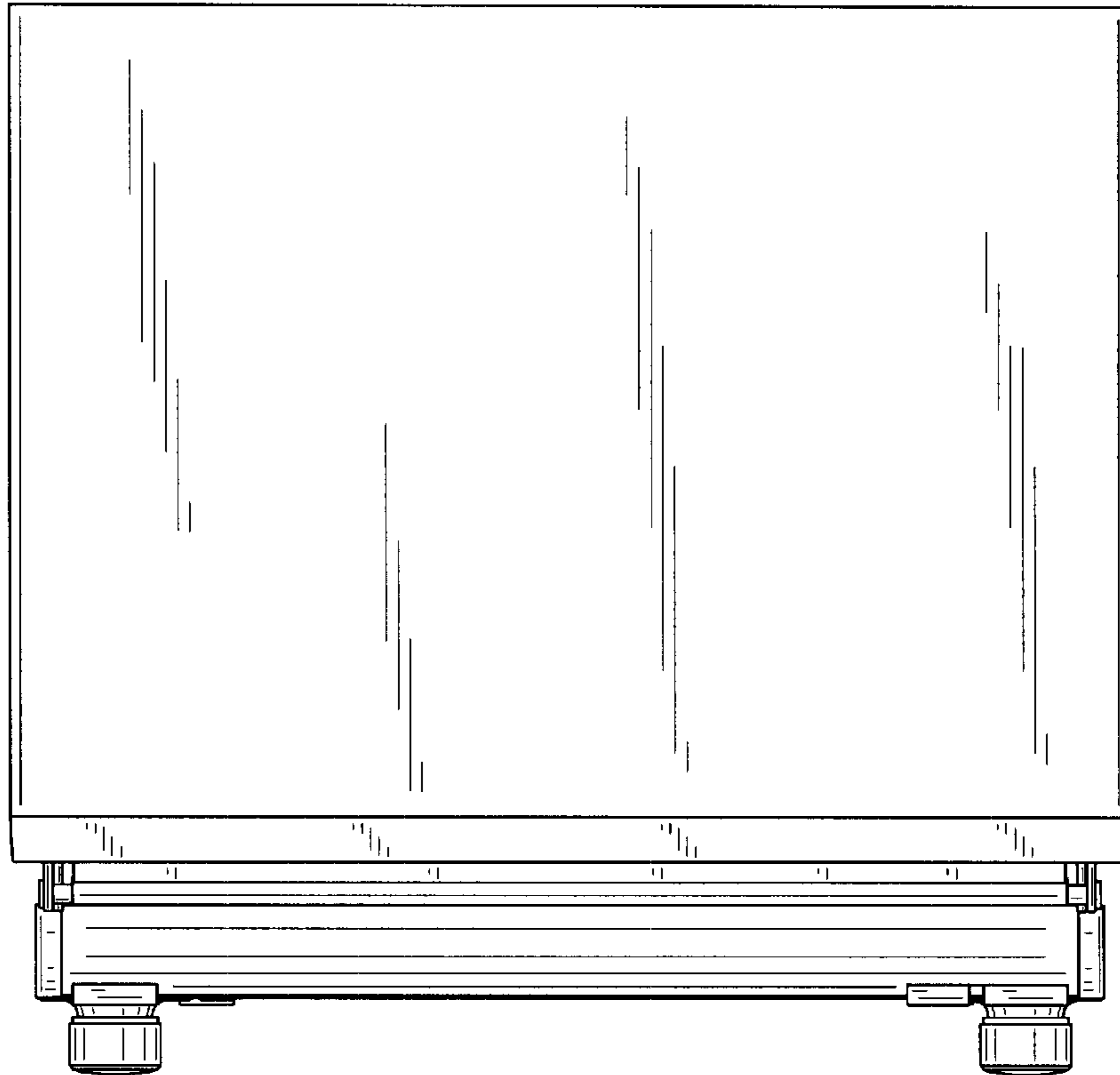


FIG. 7

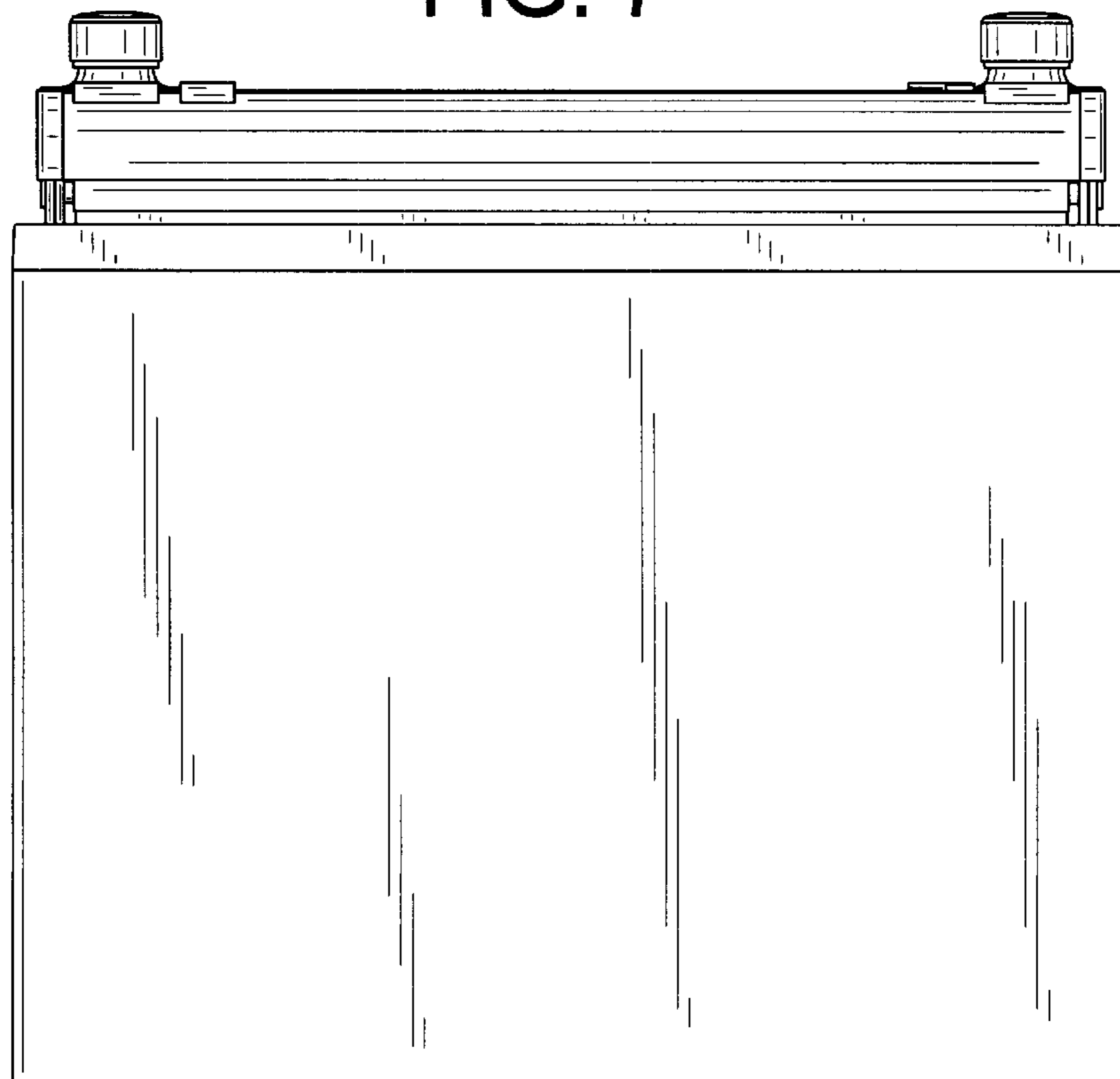


FIG. 8

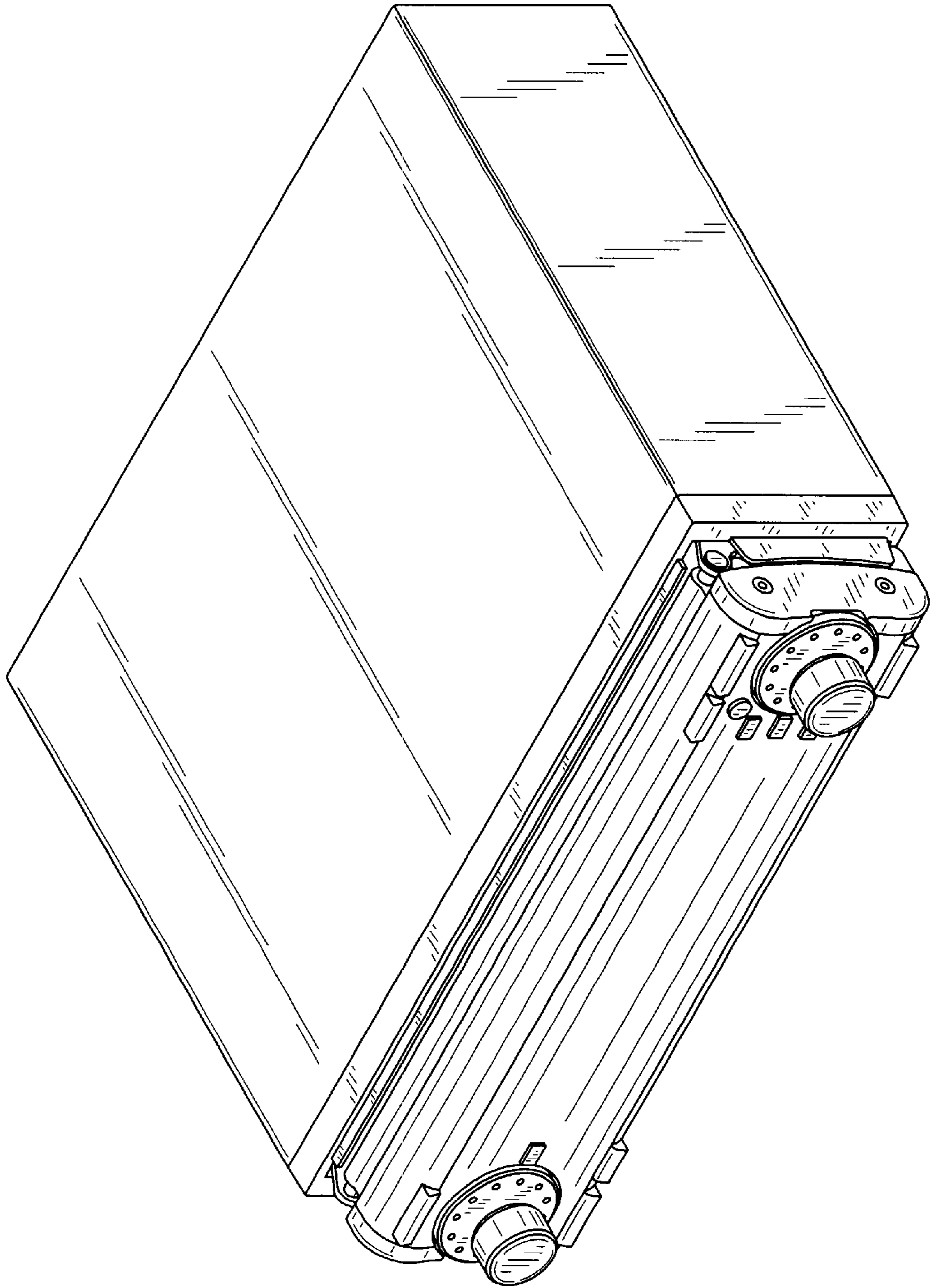


FIG. 9

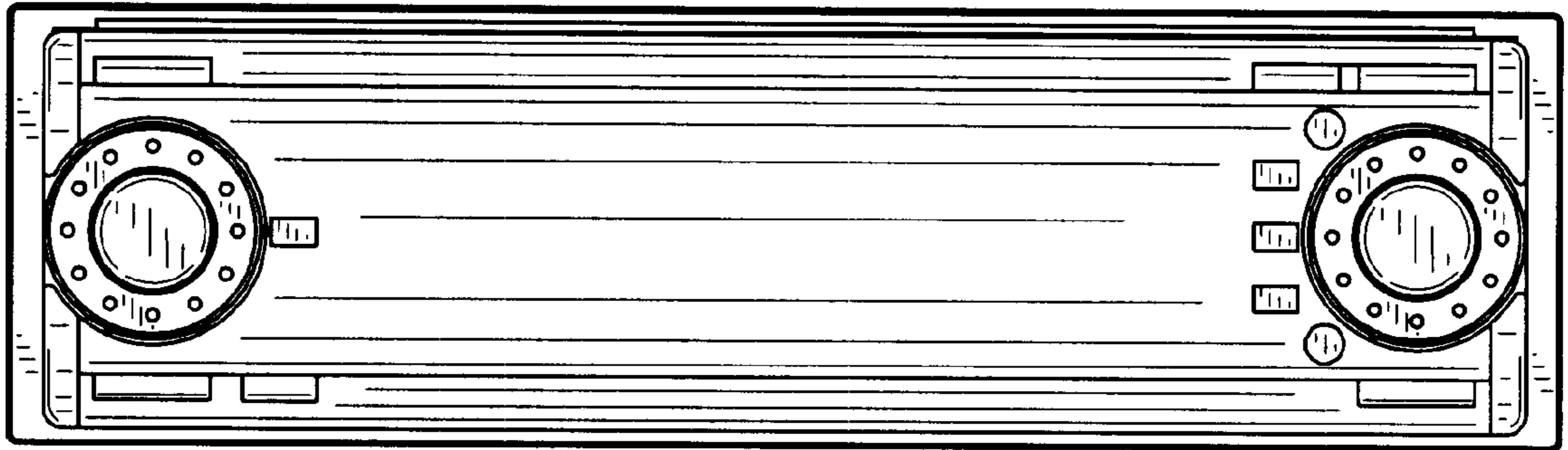


FIG. 10

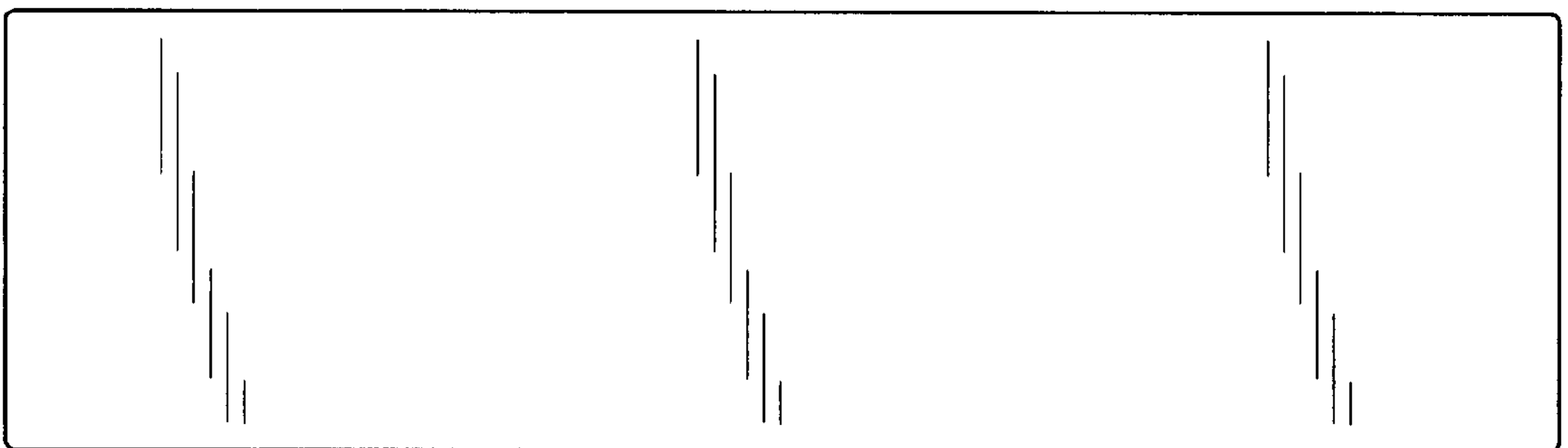


FIG. 11

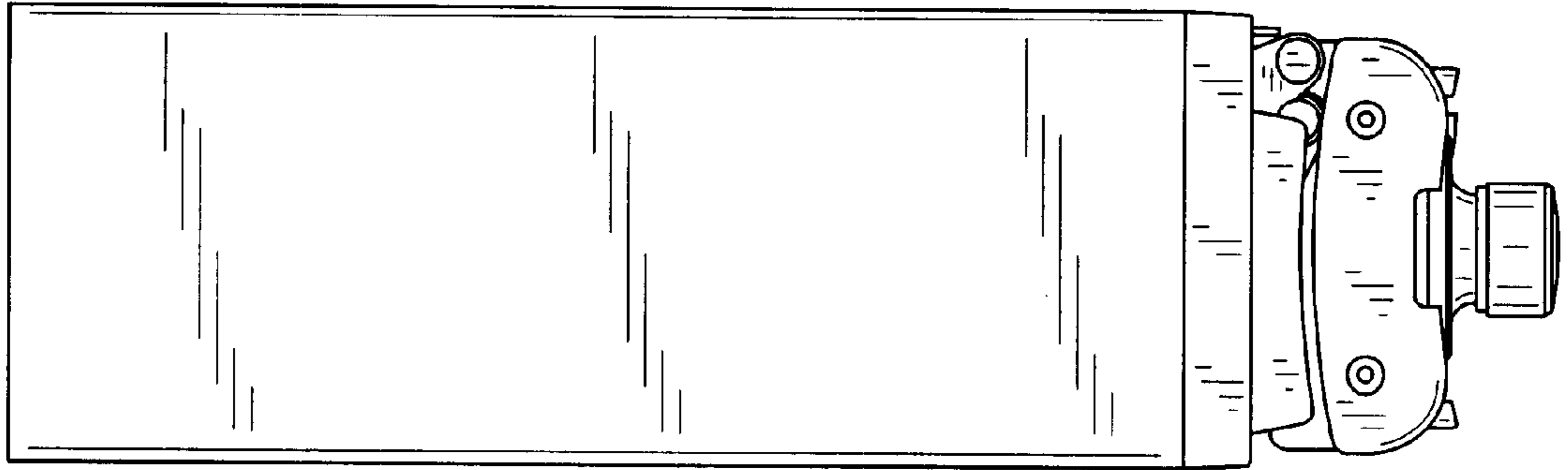


FIG. 12

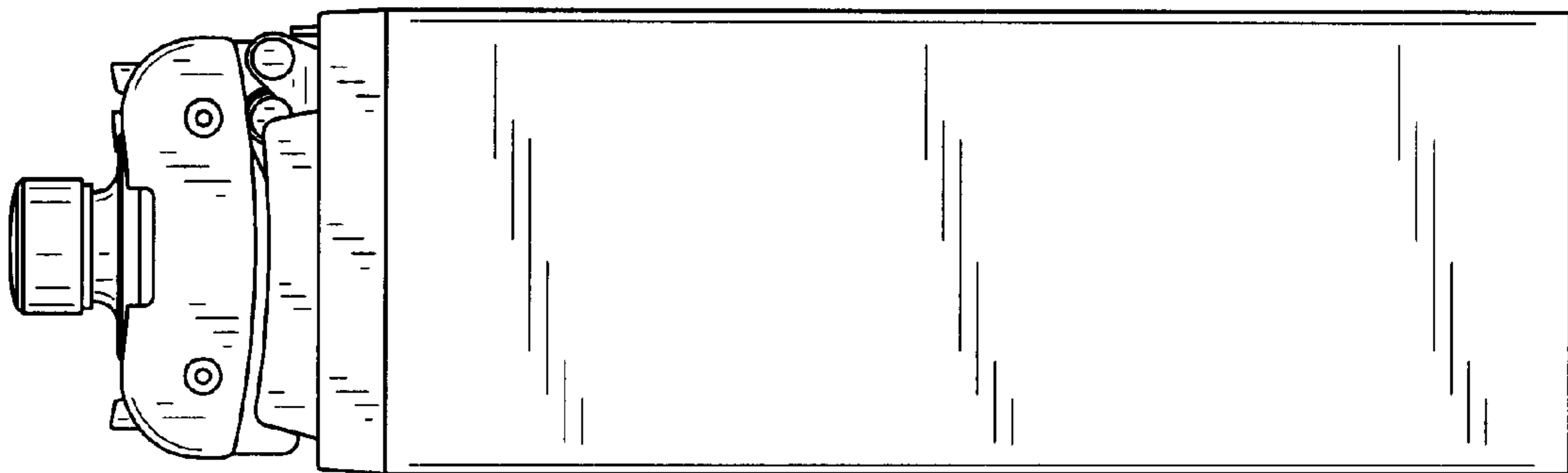


FIG. 13

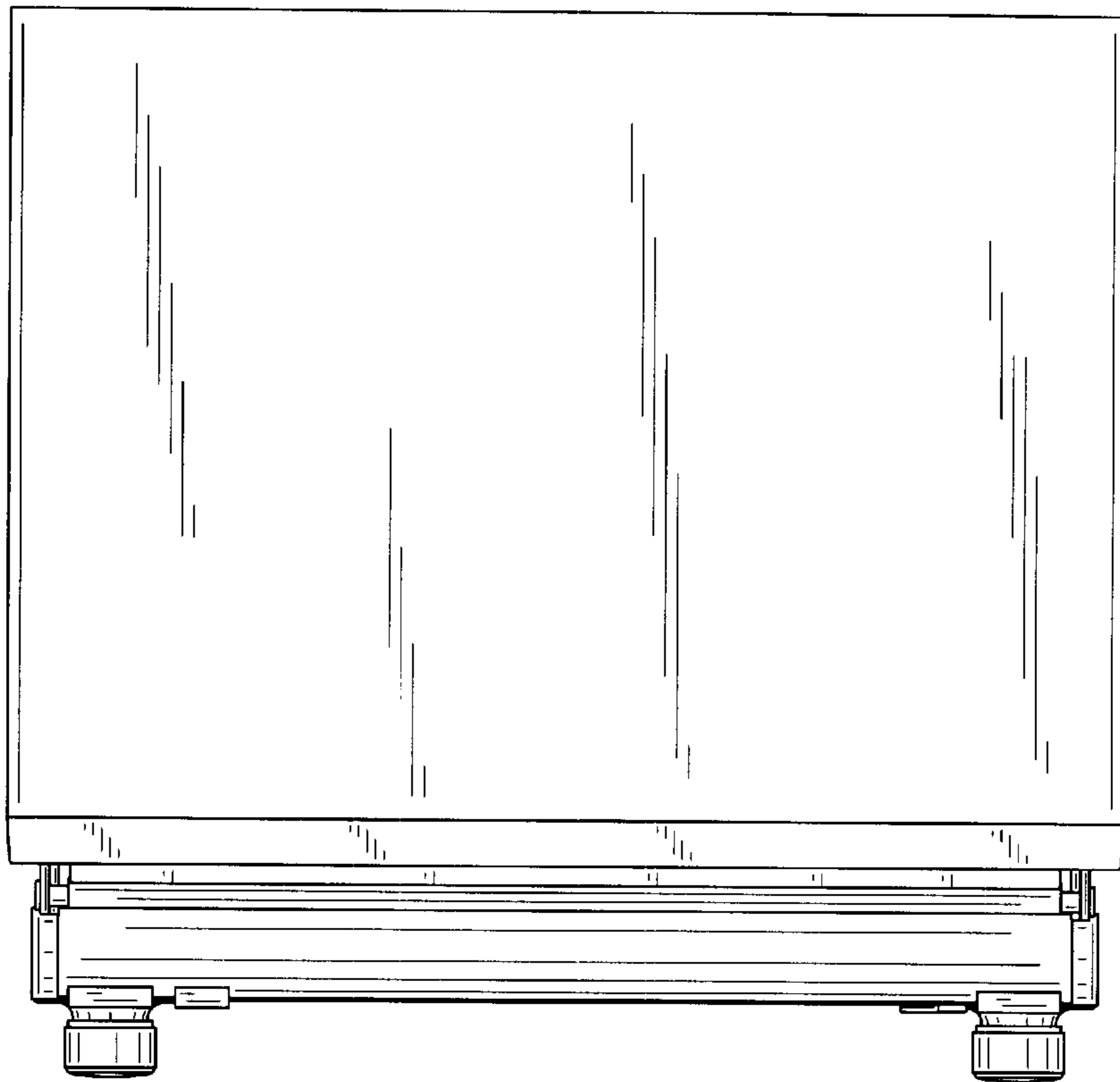


FIG. 14

