



US00D480696S

(12) **United States Design Patent**
Escorcia et al.

(10) **Patent No.: US D480,696 S**

(45) **Date of Patent: ** Oct. 14, 2003**

(54) **MOBILE RADIO HOUSING**

(75) Inventors: **Yesenia V. Escorcia**, Plantation, FL (US); **Scott H. Richards**, Plantation, FL (US); **Andreas R. Haase**, Plantation, FL (US); **Adrian F. Rubio**, Coral Springs, FL (US); **David H. McClintock, III**, Davie, FL (US)

(73) Assignee: **Motorola, Inc.**, Schaumburg, IL (US)

(**) Term: **14 Years**

(21) Appl. No.: **29/165,382**

(22) Filed: **Aug. 9, 2002**

(51) **LOC (7) Cl. 14-03**

(52) **U.S. Cl. D14/137; D14/157**

(58) **Field of Search** D14/137, 138, D14/218, 147-149, 247-249, 144, 240, 242, 341-347, 399, 426, 387, 429, 453, 197, 198, 189, 192, 193, 157, 194, 195, 196, 158; 379/433.01-433.13, 434, 419, 420.01-420.04, 428.01-428.02, 440; 455/550.01-90.3; D13/168; D18/2, 7; D21/517, 329, 331, 333; D10/104, 106, 65; 381/86

(56) **References Cited**

U.S. PATENT DOCUMENTS

D251,730 S	*	5/1979	Root et al.	D14/137
D253,281 S	*	10/1979	Kim	D10/121
D255,882 S	*	7/1980	Kim	D10/121
D255,901 S	*	7/1980	Tokiyama	D14/157
D259,422 S	*	6/1981	Taylor	D14/137
D259,787 S		7/1981	Nagele	
D261,887 S	*	11/1981	Hisatsune	D14/188
D275,854 S	*	10/1984	Nagele	D14/139
D277,667 S		2/1985	Zurawski	
D279,290 S	*	6/1985	Nagele	D14/139
D289,648 S	*	5/1987	Felix et al.	D14/100
D298,133 S		10/1988	Tokiyama et al.	
D300,632 S		4/1989	Culbertson	
D303,252 S	*	9/1989	Shih	D14/107
D307,585 S	*	5/1990	Dickson	D14/137

D307,906 S		5/1990	Beaumont	
D308,057 S		5/1990	Tokiyama	
D313,993 S	*	1/1991	Dickson	D14/137
D314,572 S	*	2/1991	Dickson	D14/137
D317,307 S	*	6/1991	Kasprian et al.	D14/137
D329,849 S		9/1992	Tokiyama et al.	
D331,394 S	*	12/1992	Kobayashi et al.	D14/107
D334,744 S	*	4/1993	Tokiyama et al.	D14/137
5,285,500 A	*	2/1994	Mantz	381/86
D353,598 S	*	12/1994	Brandt et al.	D14/242
D361,570 S	*	8/1995	Harris et al.	D14/242
D361,995 S	*	9/1995	Culbertson	D14/137
D368,472 S		4/1996	Robertson et al.	
D369,566 S	*	5/1996	Poon	D10/106
D391,255 S		2/1998	Lindeman	
D401,225 S	*	11/1998	Maack et al.	D13/179
D403,666 S	*	1/1999	Maack et al.	D13/179
D431,816 S	*	10/2000	Beaumont et al.	D14/188
D446,204 S	*	8/2001	Smith	D14/188
D464,947 S	*	10/2002	Hussaini et al.	D14/217
D473,855 S	*	4/2003	Escorcia et al.	D14/188

* cited by examiner

Primary Examiner—Jeffrey Asch

(74) *Attorney, Agent, or Firm*—Barbara R. Doutre

(57) **CLAIM**

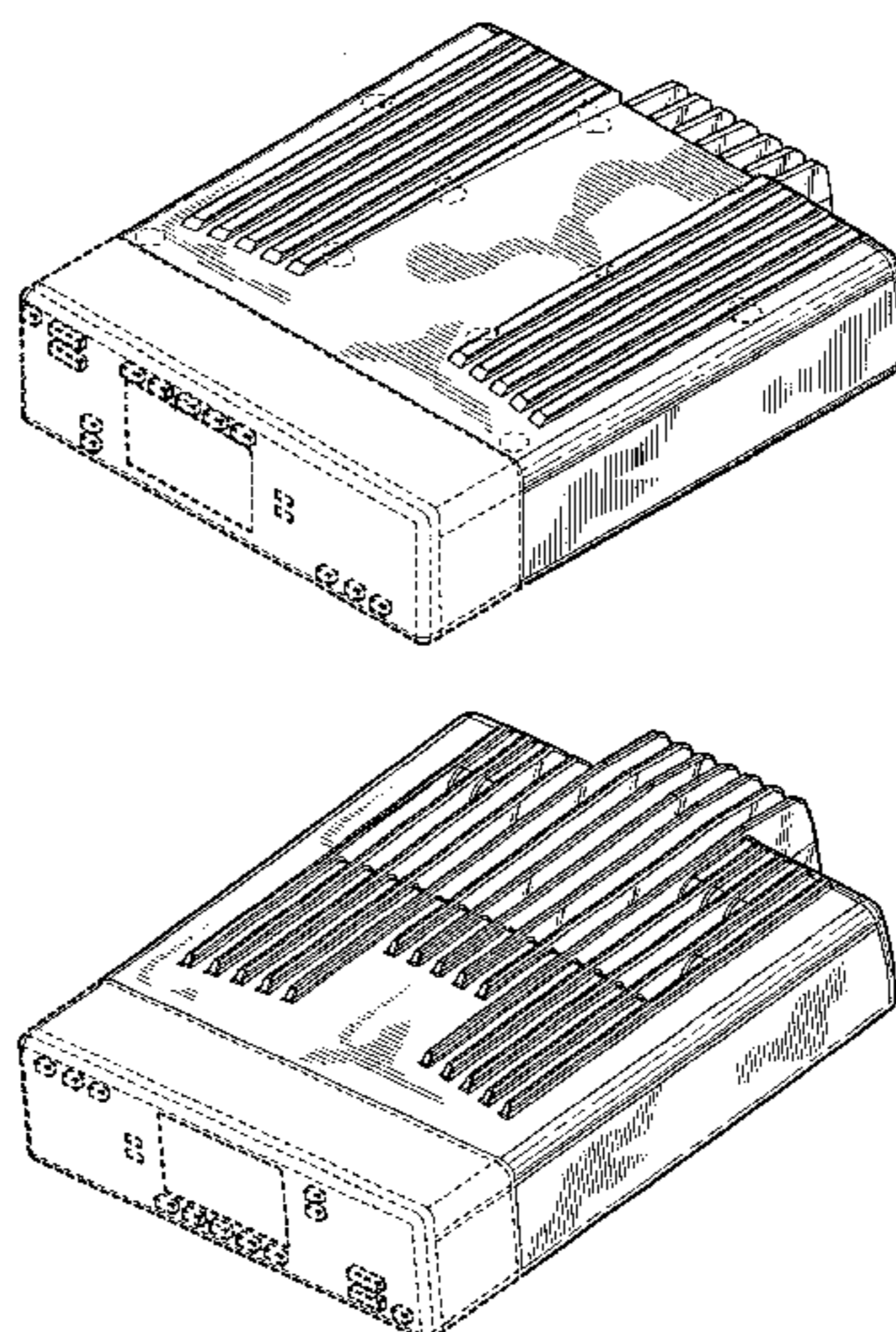
The ornamental design for a mobile radio housing, as shown and described.

DESCRIPTION

FIG. 1 is a front, top, and right side perspective view of a mobile radio housing showing our new design; FIG. 2 is a right, side-elevational view thereof, the left side being a mirror image; FIG. 3 is a rear elevational view thereof; FIG. 4 is a top plan view thereof; FIG. 5 is a bottom plan view thereof; and, FIG. 6 is a front, bottom, and left side perspective view thereof.

The broken lines showing the mobile radio control head portion of FIGS. 1, 2, 4, 5, and 6 are for illustrative purposes only and form no part of the claimed design.

1 Claim, 5 Drawing Sheets



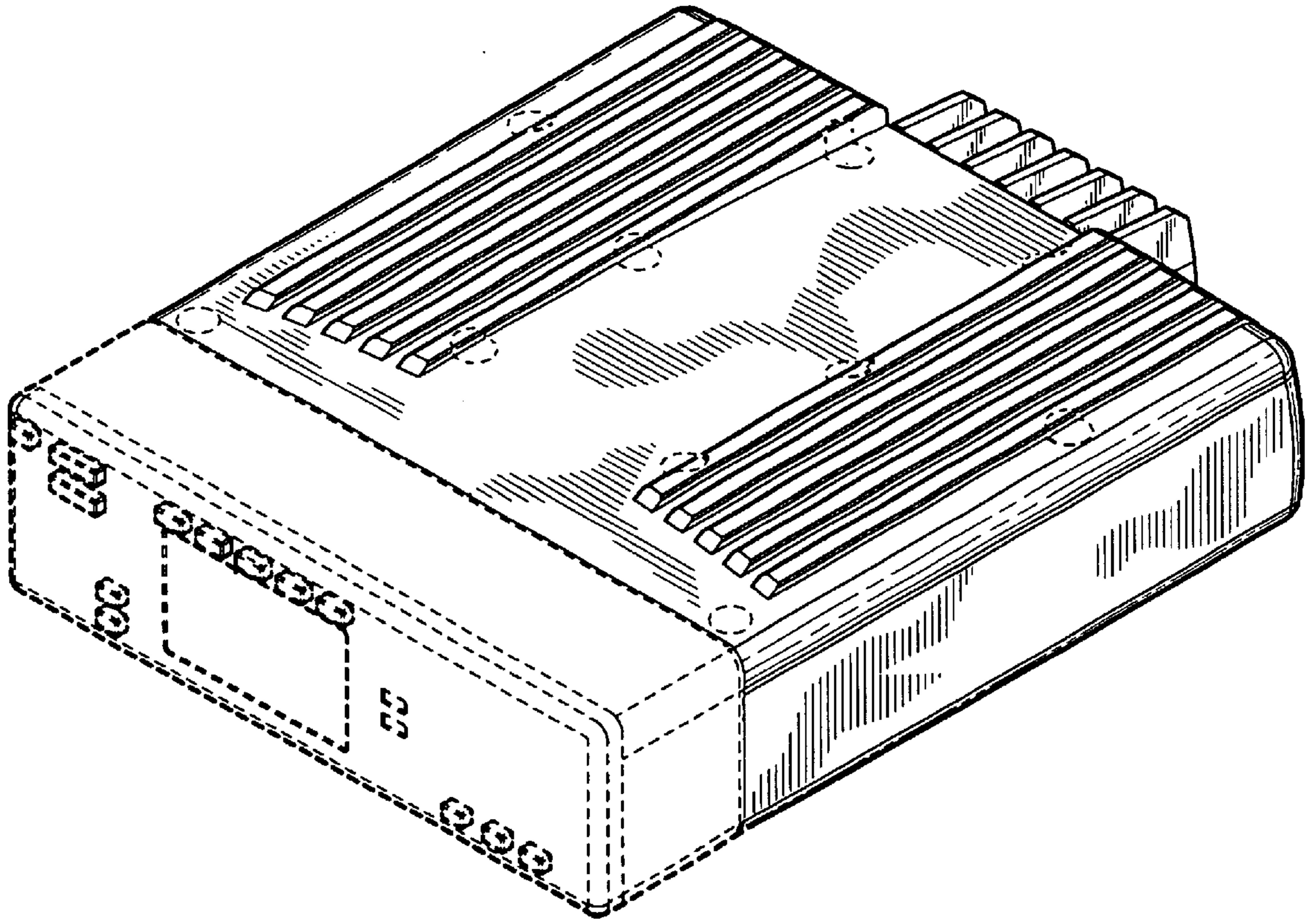


FIG. 1

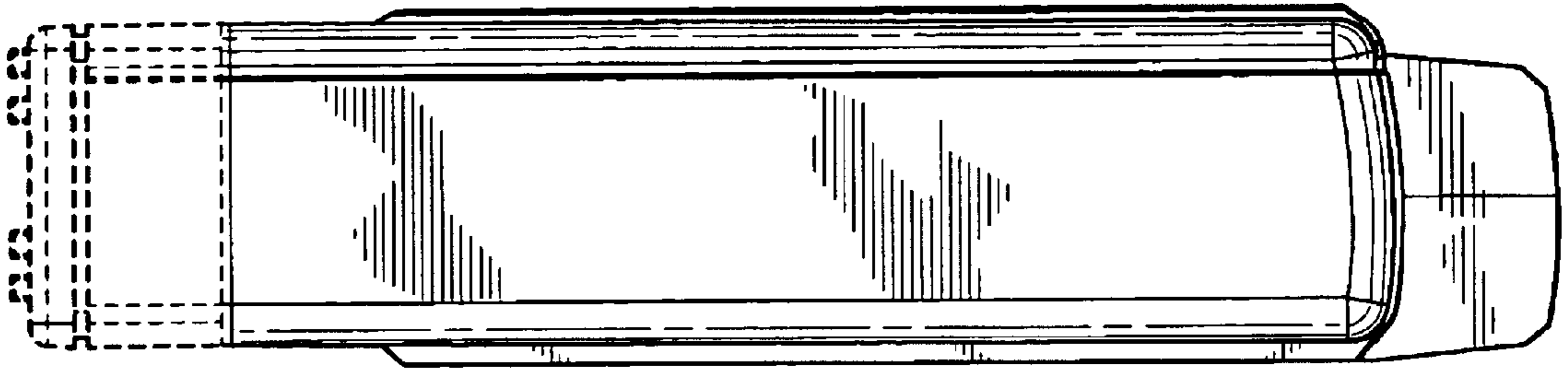


FIG. 2

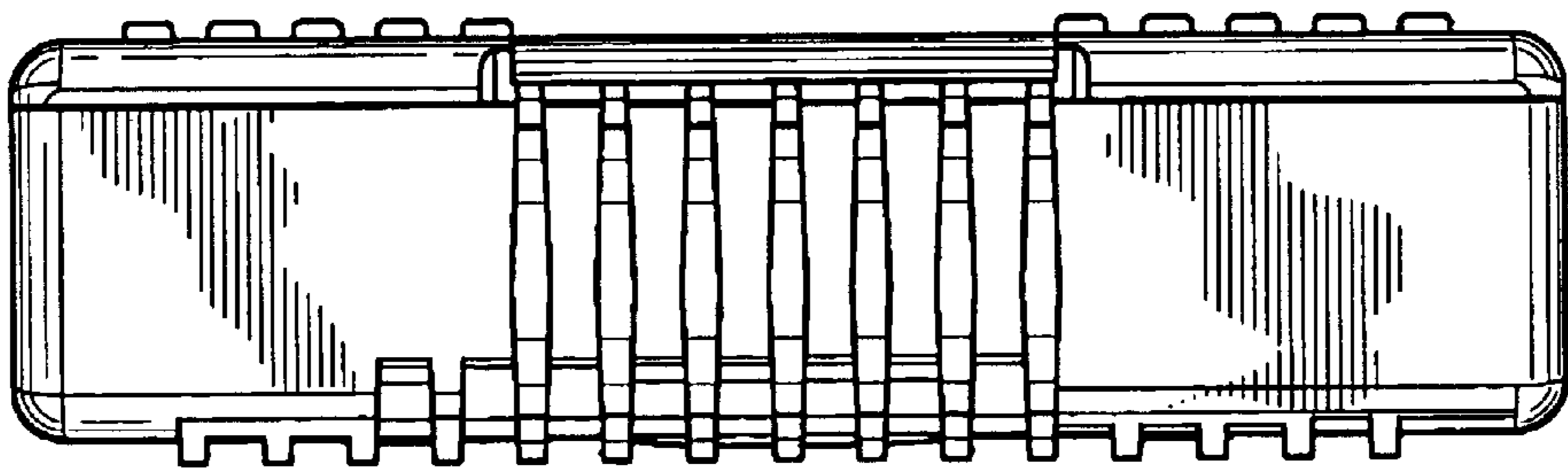


FIG. 3

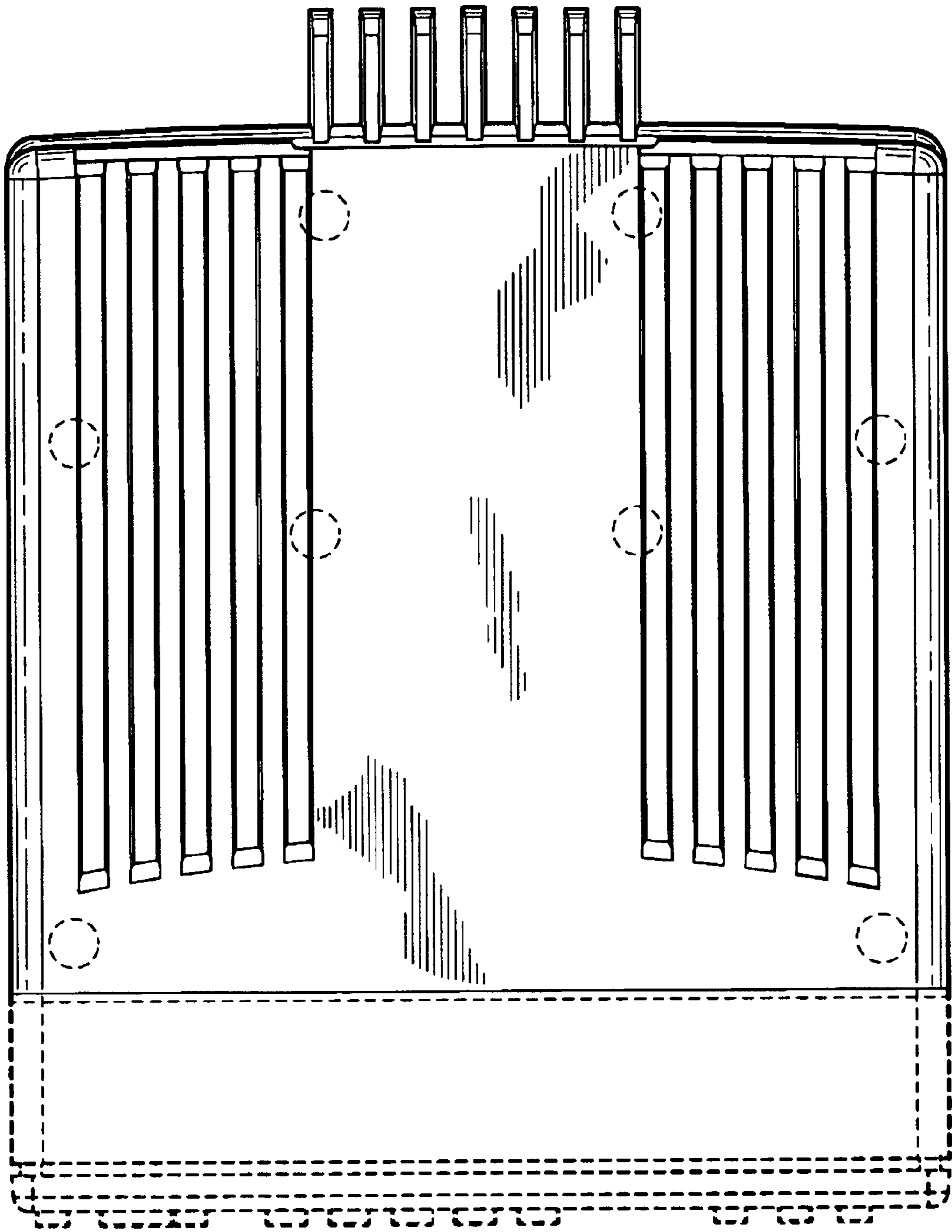


FIG. 4

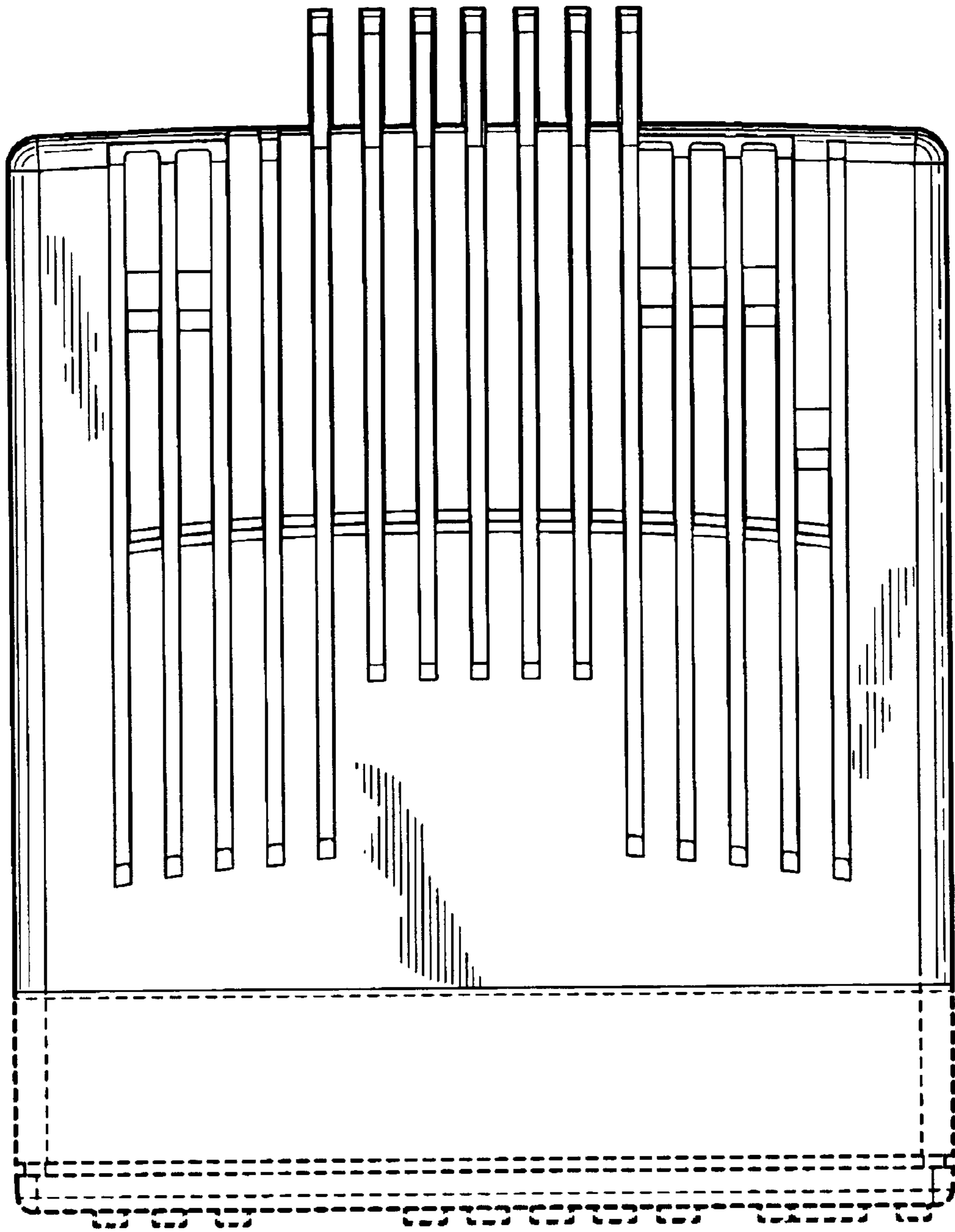


FIG. 5

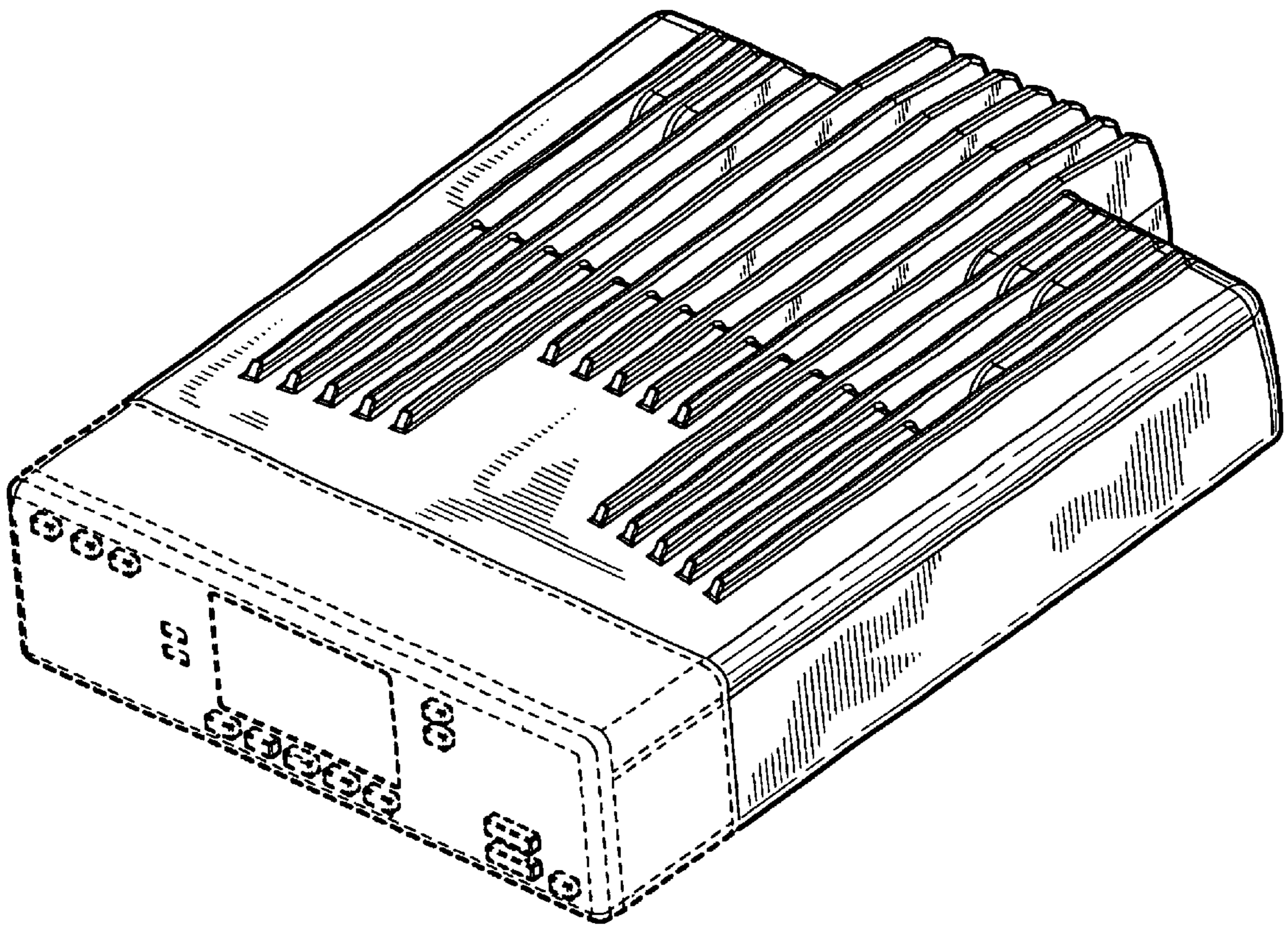


FIG. 6