



US00D480691S

(12) **United States Design Patent**
Bone

(10) **Patent No.:** **US D480,691 S**

(45) **Date of Patent:** **** Oct. 14, 2003**

(54) **CONTROL BUTTON**

6,107,583 A * 8/2000 Berfield 200/302.2
D464,630 S * 10/2002 Woodworth D13/171

(75) Inventor: **Martin Bone**, San Francisco, CA (US)

* cited by examiner

(73) Assignee: **Snap-on Technologies, Inc.**,
Lincolnshire, IL (US)

Primary Examiner—Ted Shooman

Assistant Examiner—Selina Sikder

(**) Term: **14 Years**

(74) *Attorney, Agent, or Firm*—McDermott, Will & Emery

(21) Appl. No.: **29/166,856**

(57) **CLAIM**

(22) Filed: **Sep. 6, 2002**

The ornamental design for a control button, as shown and described.

(51) **LOC (7) Cl.** **13-03**

DESCRIPTION

(52) **U.S. Cl.** **D13/171**

(58) **Field of Search** D13/158, 165,
D13/169, 171, 174; D10/85, 96, 108, 116,
118, 121; 200/5 A, 237, 275, 276.1, 296,
302.1–302.3, 310, 341, 553

FIG. 1 is a top perspective view of a control button showing my new design;

FIG. 2 is a top plan view thereof;

FIG. 3 is a top plan view of the control button with an exemplary data processing system on which the control button may be installed; and,

FIG. 4 is a top perspective view of the control button with the exemplary data processing system on which the control button may be installed.

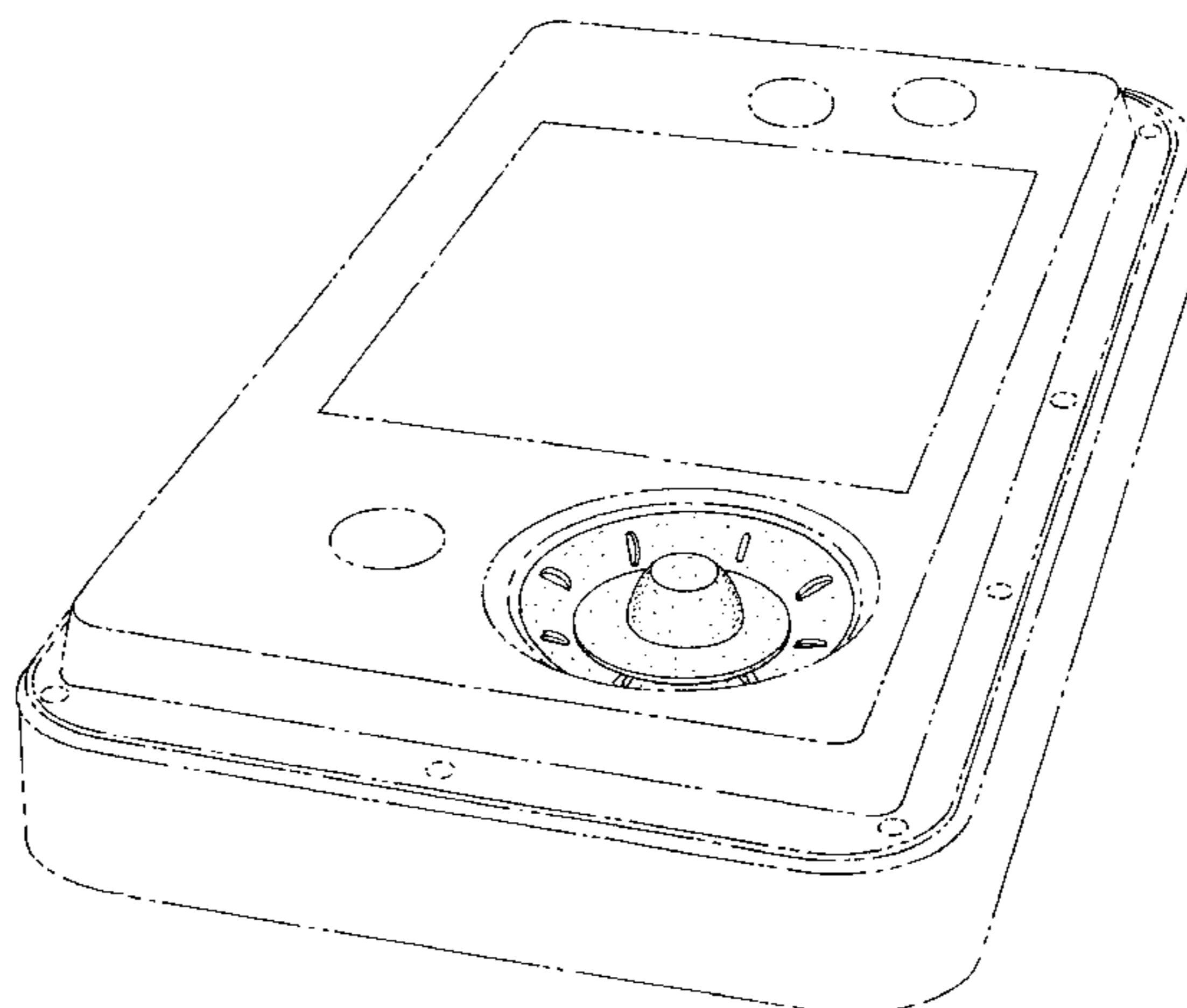
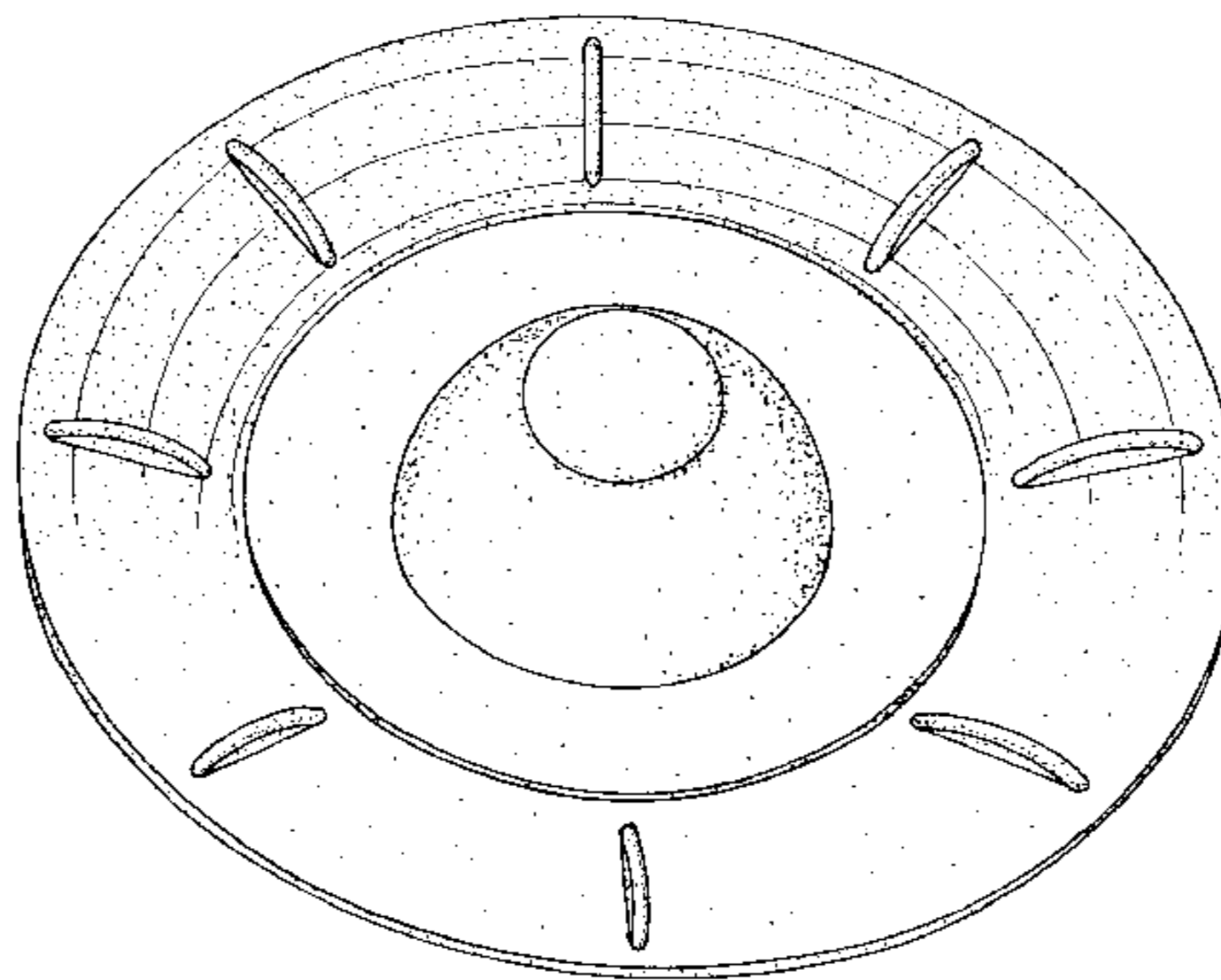
The phantom lines showing the outline of the data processing system are for illustration purposes only and form no part of the claimed invention.

(56) **References Cited**

U.S. PATENT DOCUMENTS

D239,394 S * 3/1976 Adams et al. D13/169
4,677,268 A * 6/1987 Nemeth et al. 200/513
D305,022 S * 12/1989 Hallgren et al. D13/171
D325,375 S * 4/1992 Amos D13/158
D404,673 S * 1/1999 Gordon et al. D10/118
D414,748 S * 10/1999 Pierson et al. D13/171
D421,727 S * 3/2000 Pierson et al. D10/116

1 Claim, 3 Drawing Sheets



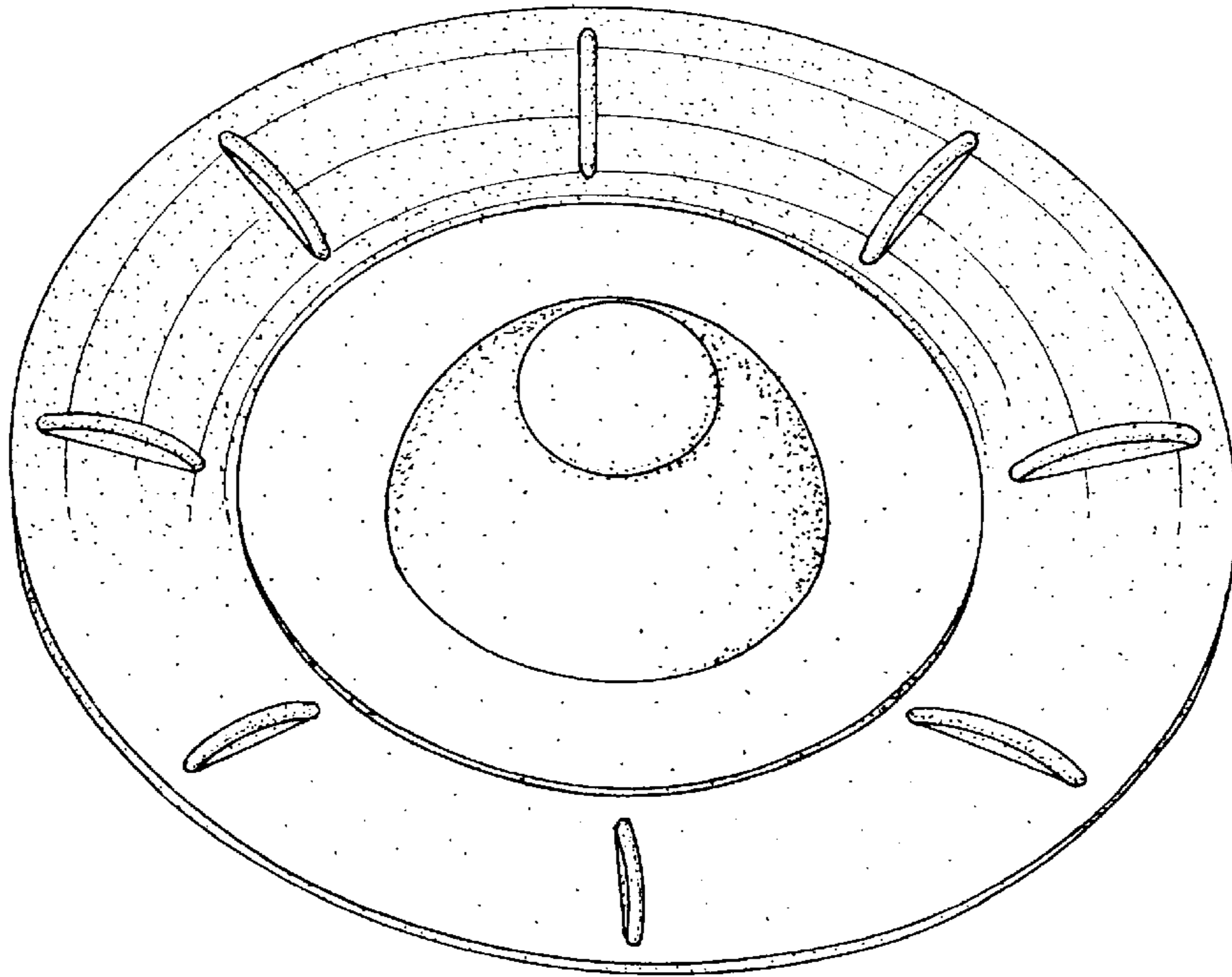


FIG. 1

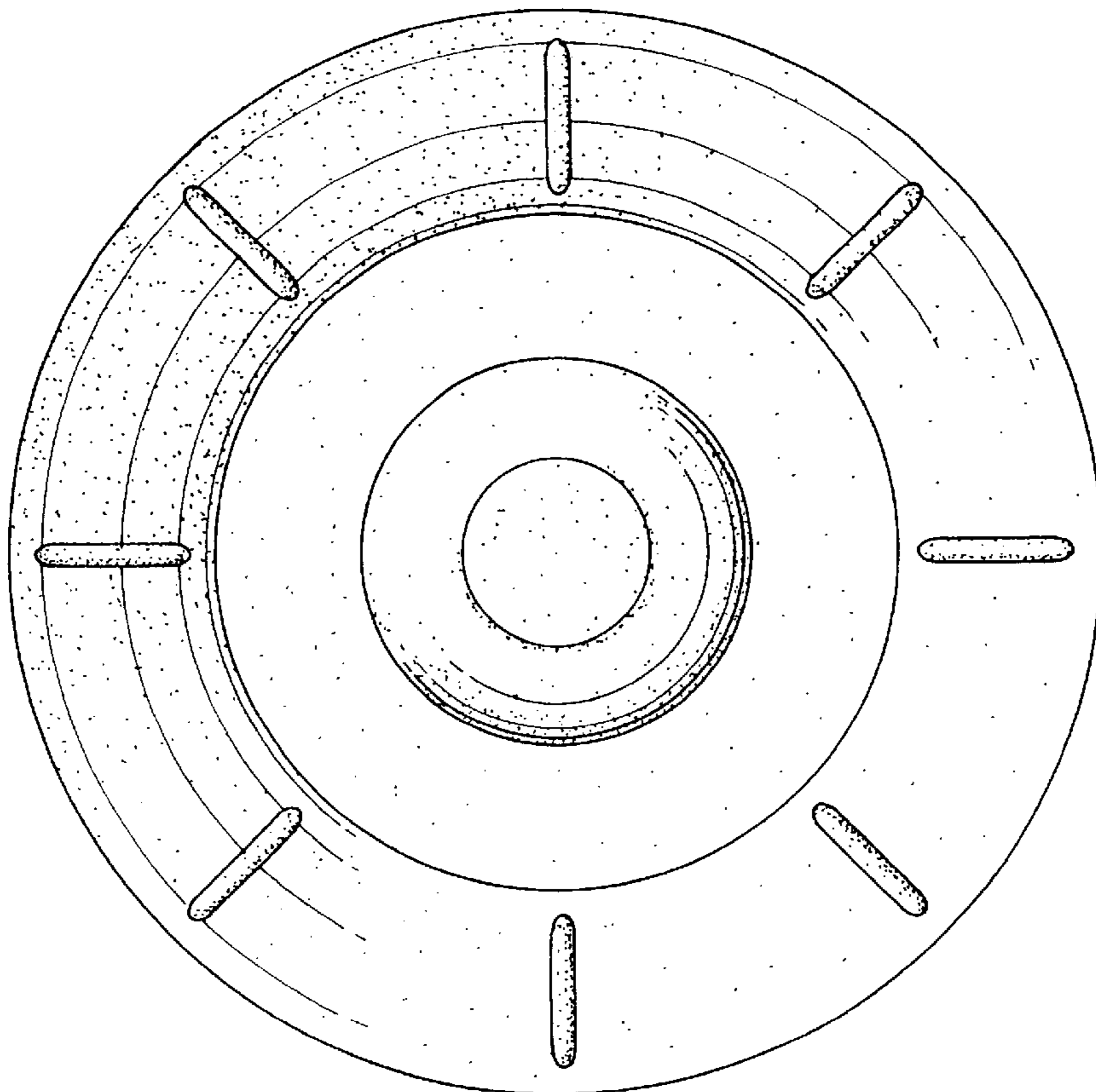


FIG. 2

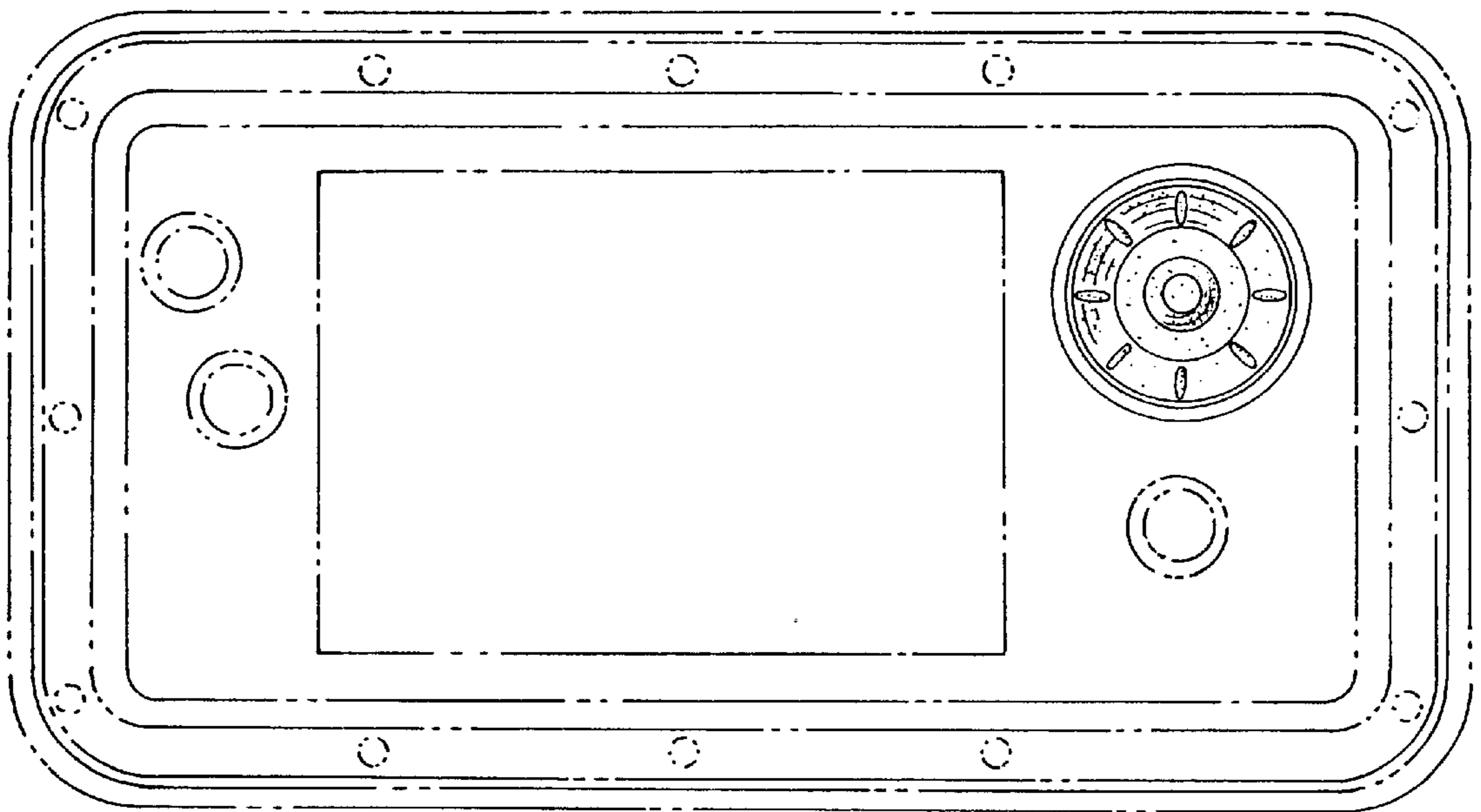


FIG. 3

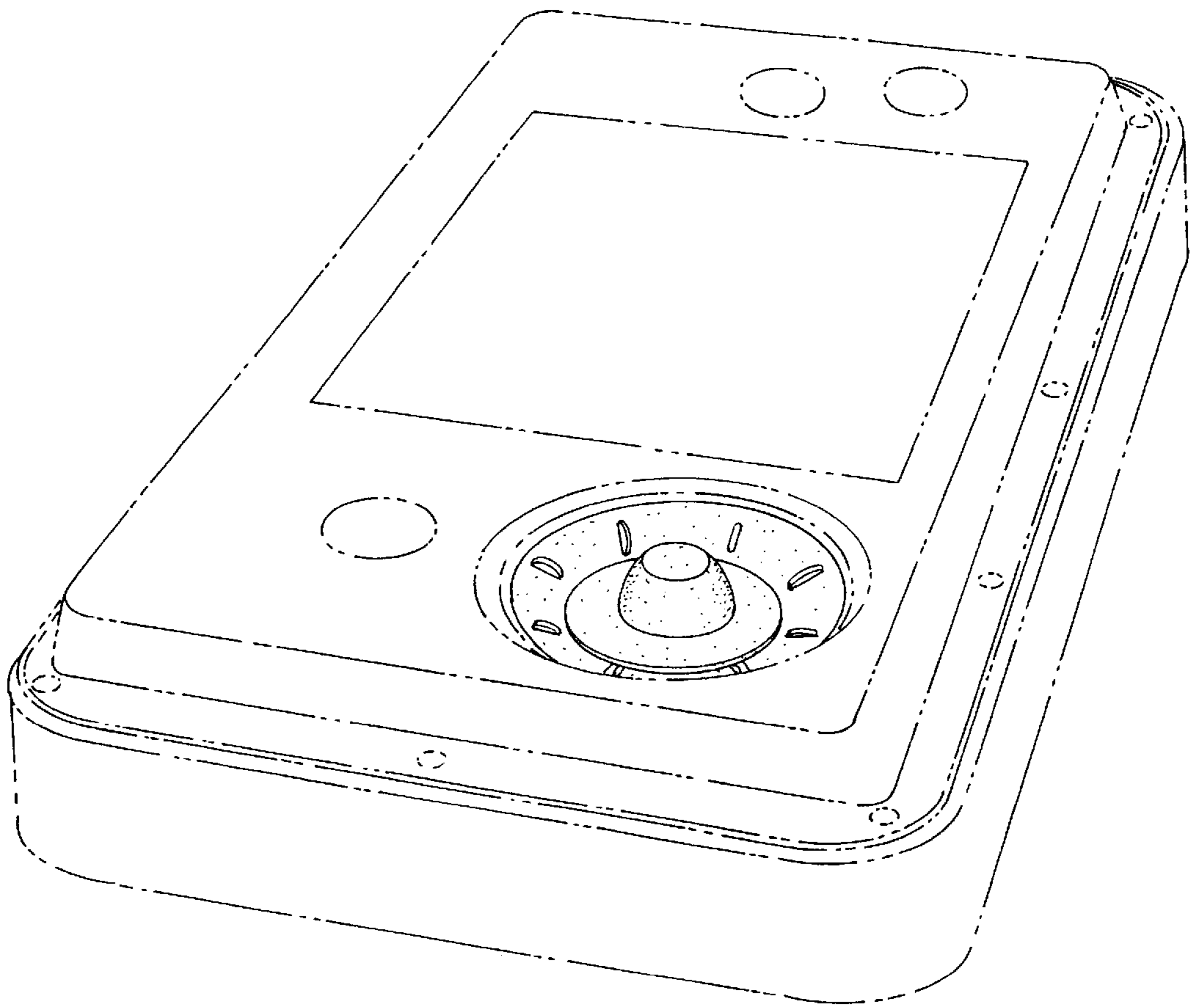


FIG. 4