



US00D480689S

(12) **United States Design Patent**
Ishibashi et al.

(10) **Patent No.:** **US D480,689 S**

(45) **Date of Patent:** **** Oct. 14, 2003**

(54) **PORTION OF FERRULE FOR OPTICAL FIBER CONNECTOR**

(75) Inventors: **Kousei Ishibashi**, Tokyo (JP);
Masahiro Shibata, Tokyo (JP); **Minoru Nakamura**, Tokyo (JP)

(73) Assignee: **Kyouseisenzai Kabushikigaisha** (JP)

(**) Term: **14 Years**

(21) Appl. No.: **29/149,743**

(22) Filed: **Oct. 17, 2001**

(30) **Foreign Application Priority Data**

Jun. 18, 2001 (JP) 2001-017670
Jun. 18, 2001 (JP) 2001-017710

(51) **LOC (7) Cl.** **13-03**

(52) **U.S. Cl.** **D13/154**

(58) **Field of Search** 385/78, 66, 84,
385/60, 80, 85; D13/153, 154

(56) **References Cited**

U.S. PATENT DOCUMENTS

5,278,928 A * 1/1994 Ueda et al. 385/78
5,668,906 A * 9/1997 Yamamura et al. 385/84
5,790,732 A * 8/1998 Ueda 385/84
5,915,057 A * 6/1999 Weigel 385/78
5,946,436 A * 8/1999 Takashi 385/60
6,224,270 B1 * 5/2001 Nakajima et al. 385/78
6,318,905 B1 * 11/2001 Valencia et al. 385/78
6,402,392 B1 * 6/2002 Yarita et al. 385/84
2002/0037140 A1 * 3/2002 Ishibashi et al. 385/78

FOREIGN PATENT DOCUMENTS

JP 2001-208936 8/2001

* cited by examiner

Primary Examiner—Jennifer Rivard
(74) *Attorney, Agent, or Firm*—SAIDMAN DesignLaw Group

(57) **CLAIM**

The ornamental design for a portion of ferrule for optical fiber connector, as shown and described.

DESCRIPTION

FIG. 1 is a front view of a portion of ferrule for optical fiber connector showing our new design;

FIG. 2 is a rear view thereof;

FIG. 3 is a top view thereof;

FIG. 4 is a bottom view thereof;

FIG. 5 is a left side view thereof;

FIG. 6 is a right side view thereof;

FIG. 7 is a perspective view thereof;

FIG. 8 is a front view of a second embodiment of our new design;

FIG. 9 is a rear view thereof;

FIG. 10 is a top view thereof;

FIG. 11 is a bottom view thereof;

FIG. 12 is a left side view thereof;

FIG. 13 is a right view thereof; and,

FIG. 14 is a perspective view thereof.

A portion of the claimed design is darkened to indicate the color black. The remaining portion of the claimed design indicates the color white.

The broken lines represent environmental subject matter and form no part of the claimed design.

1 Claim, 8 Drawing Sheets

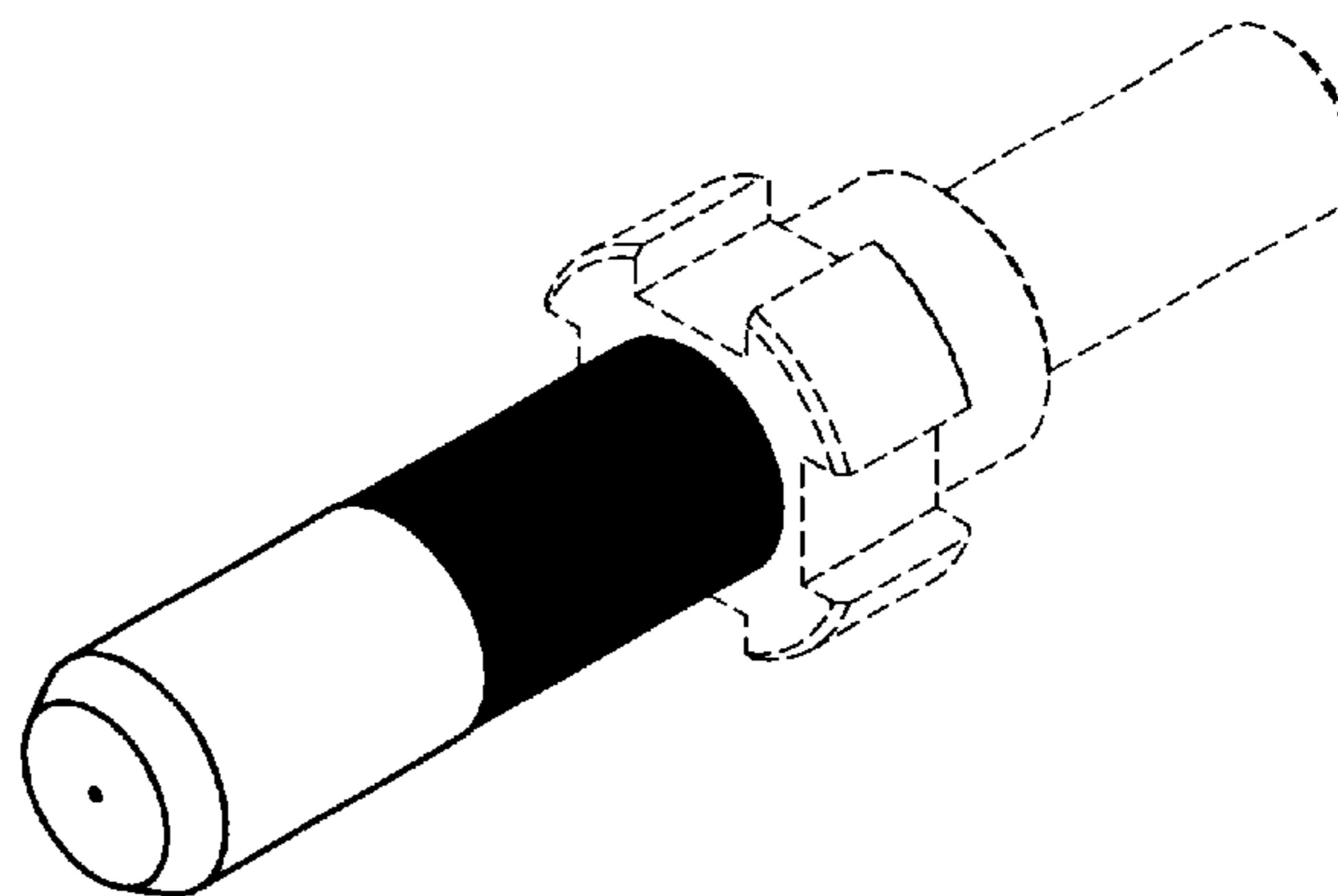
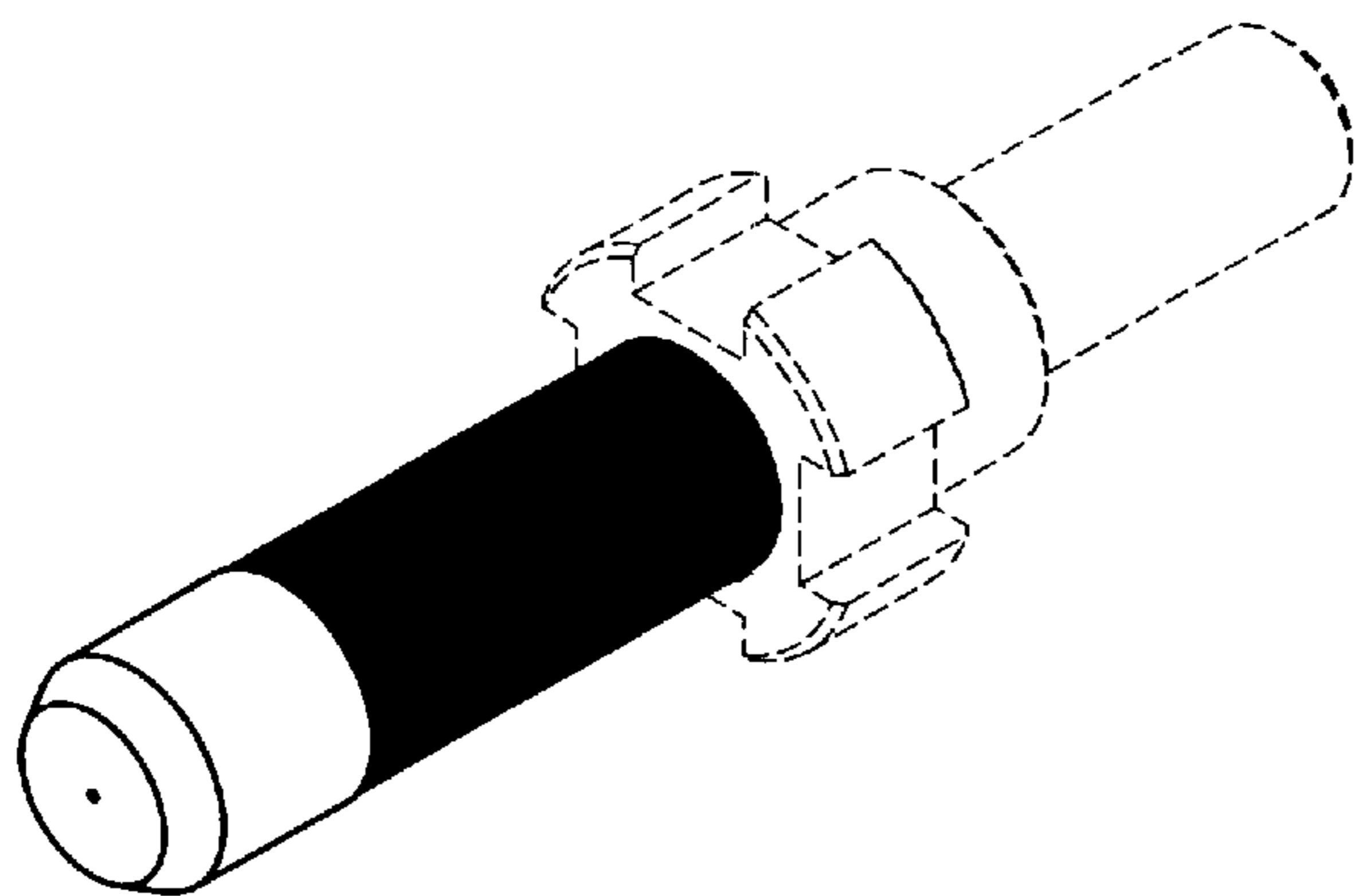


FIG. 1

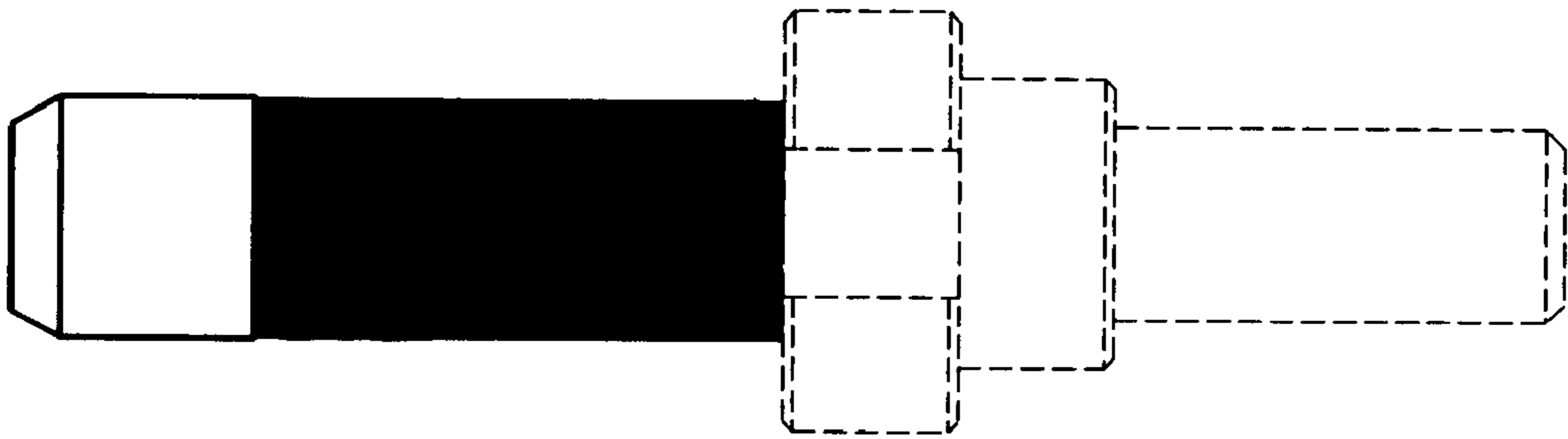


FIG. 2

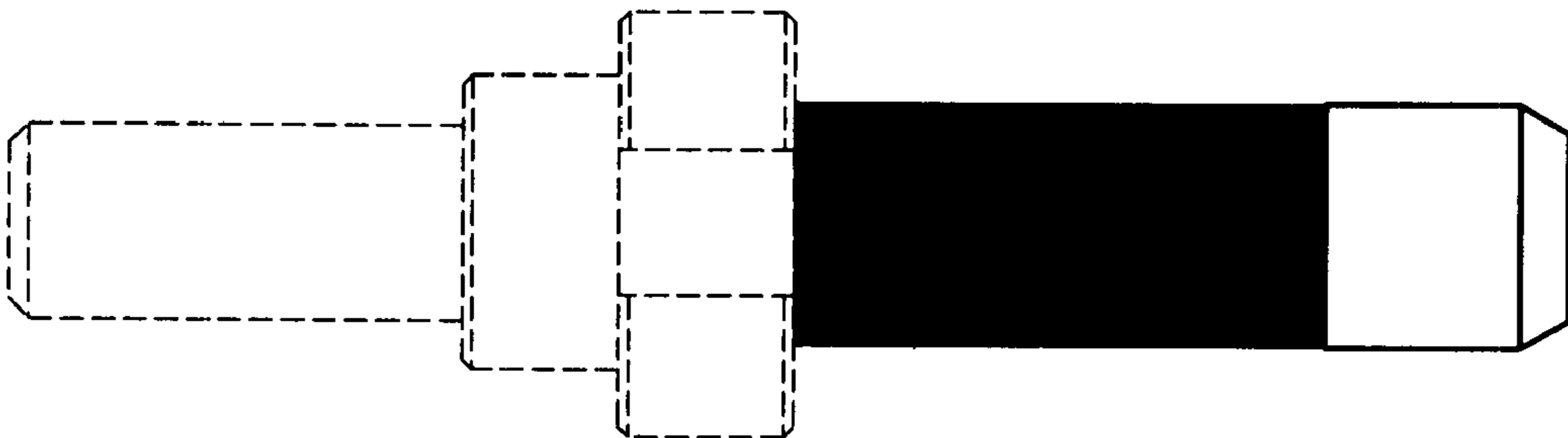


FIG. 3

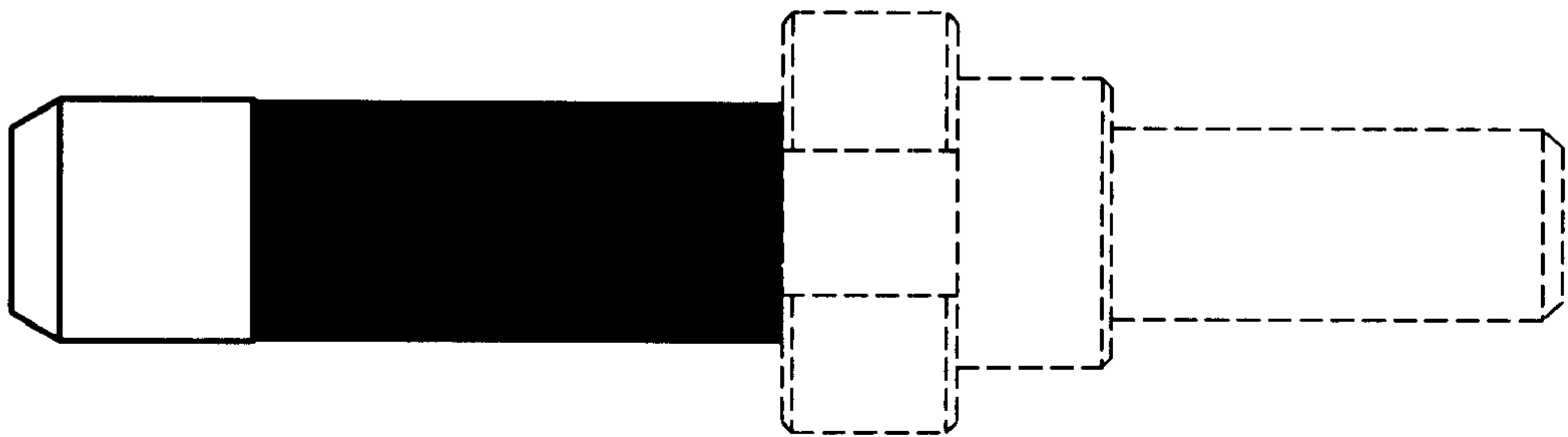


FIG. 4

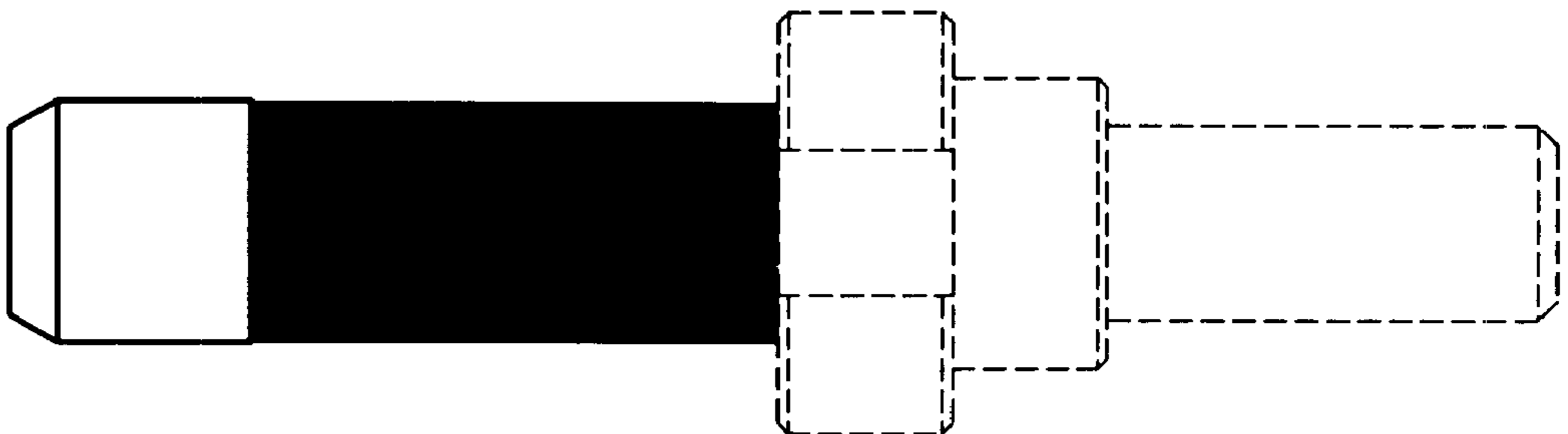


FIG. 5

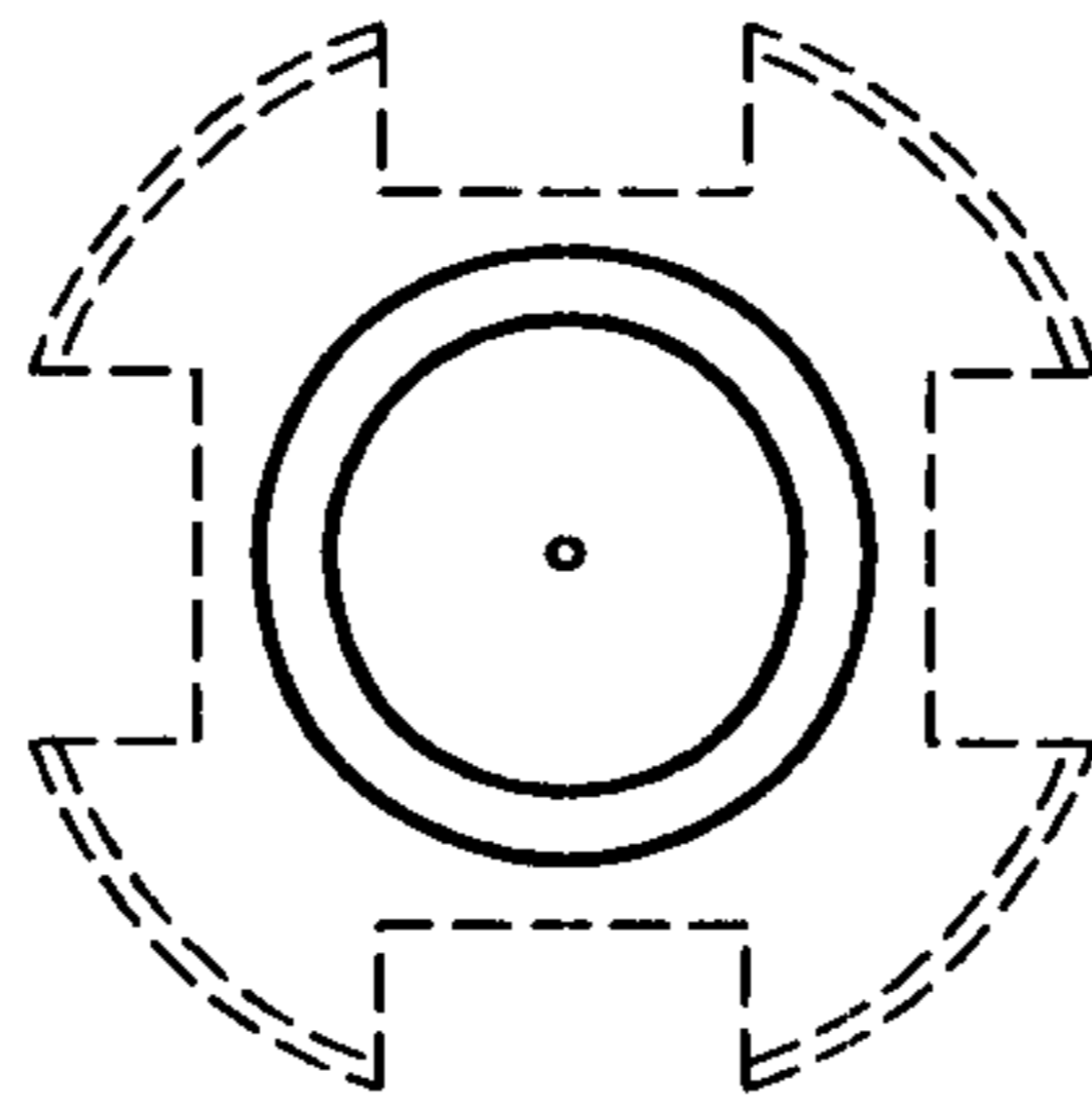


FIG. 6

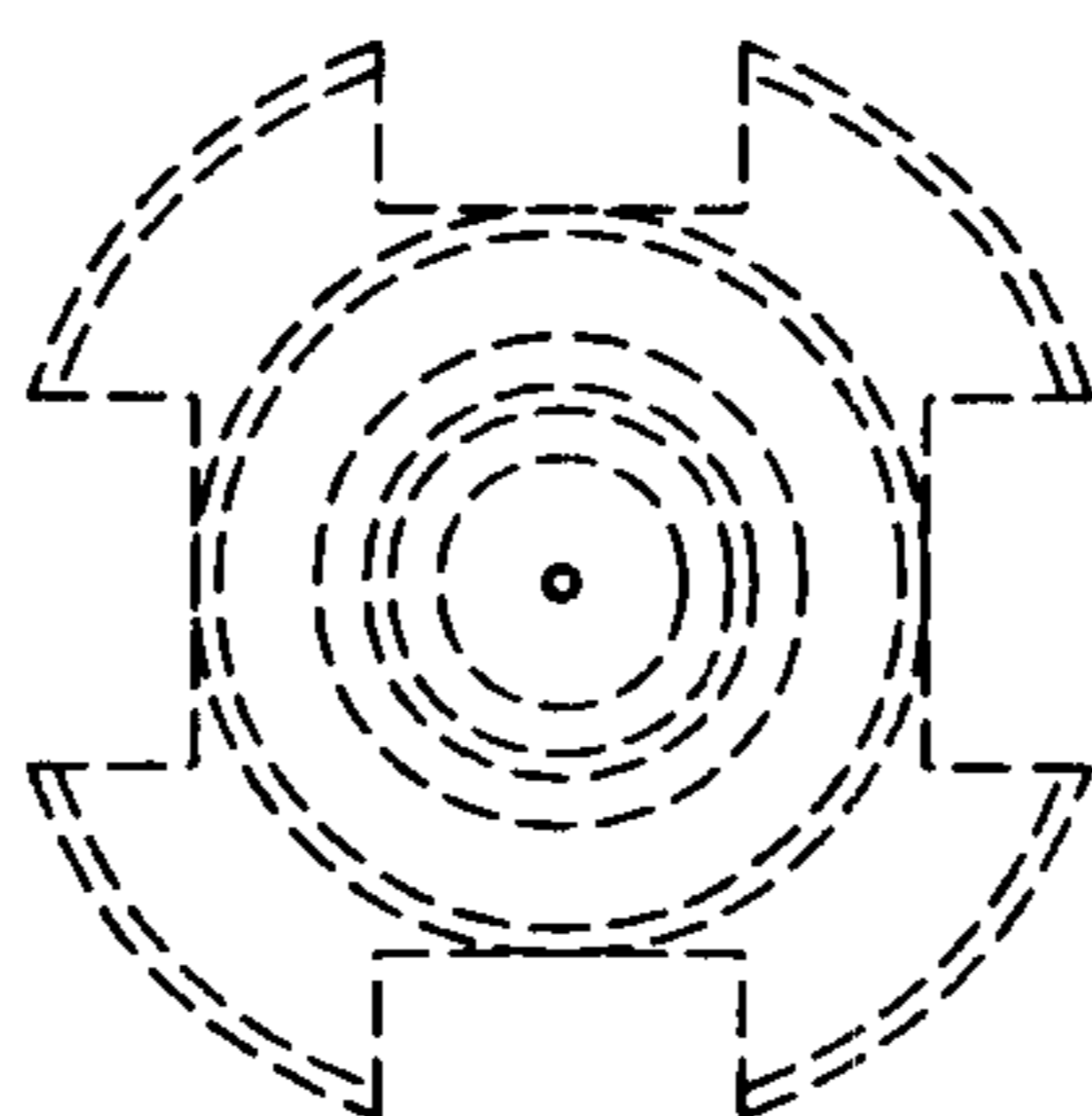


FIG. 7

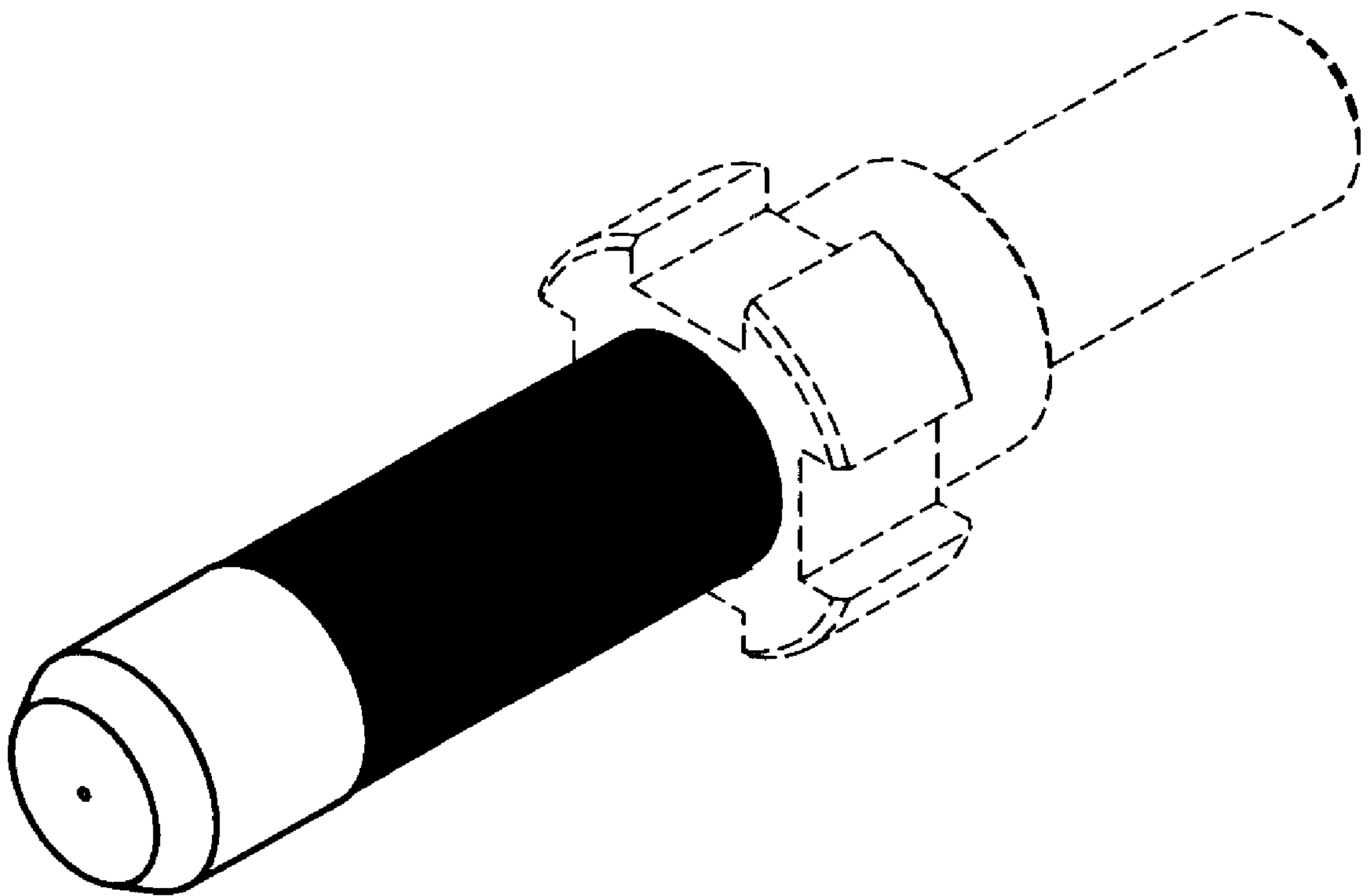


FIG. 8

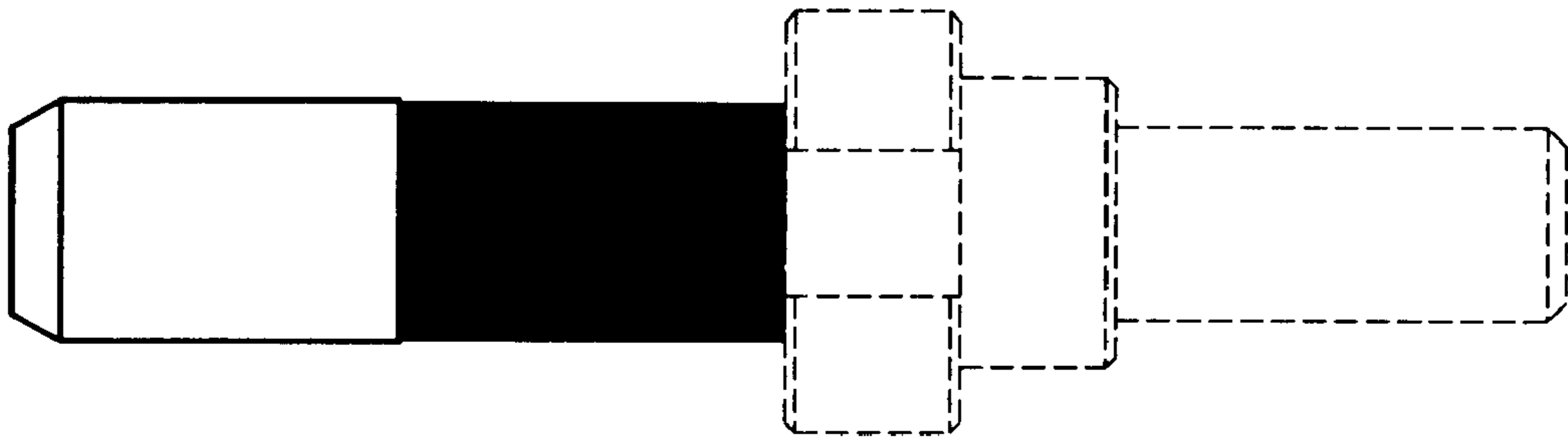


FIG. 9

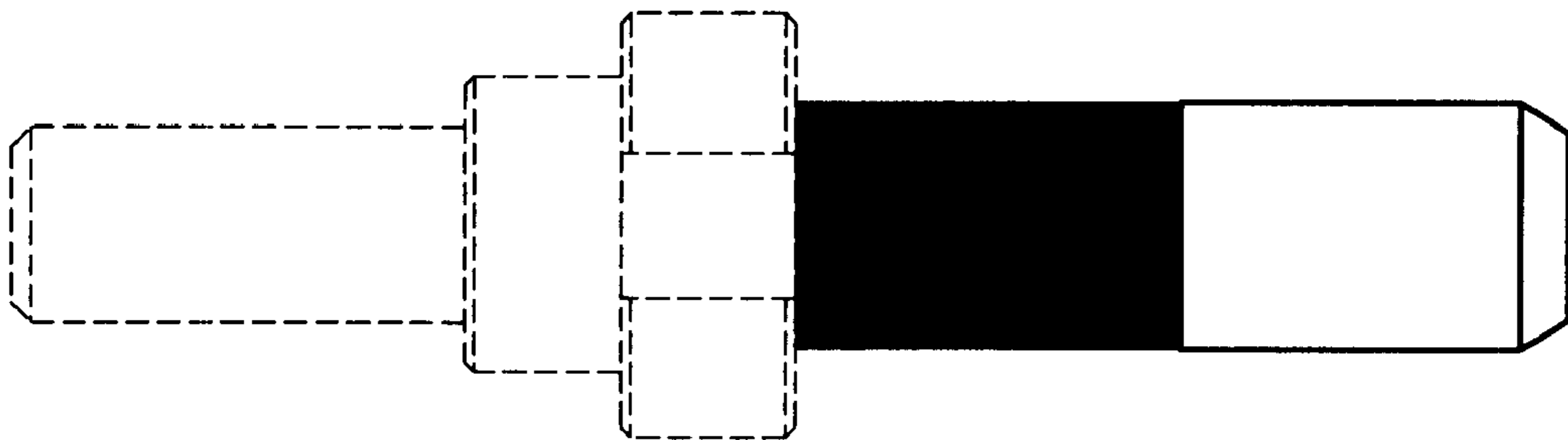


FIG. 10

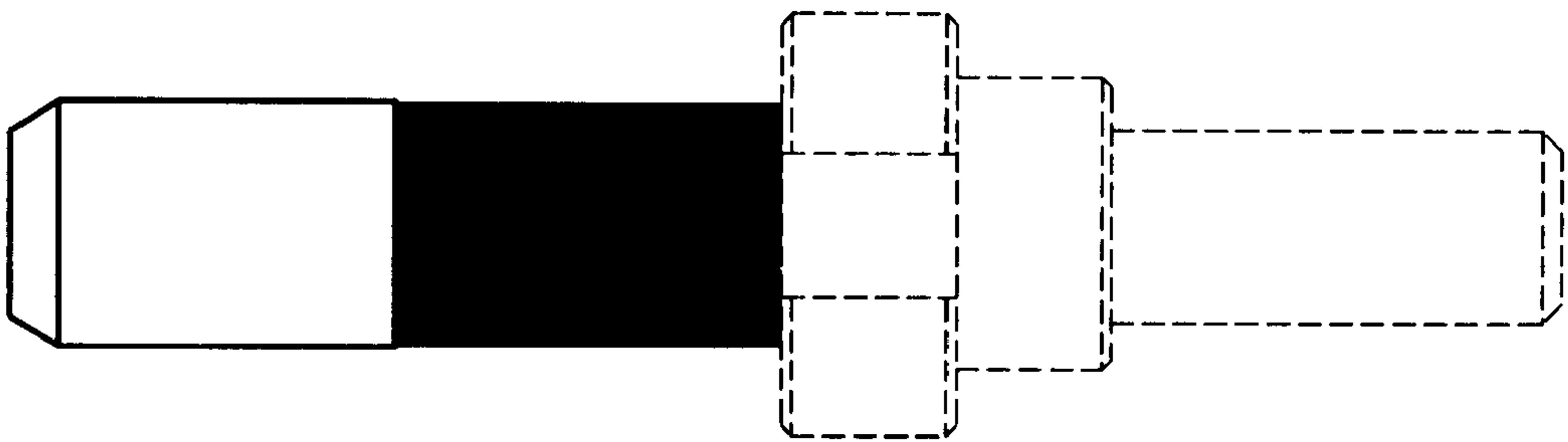


FIG. 11

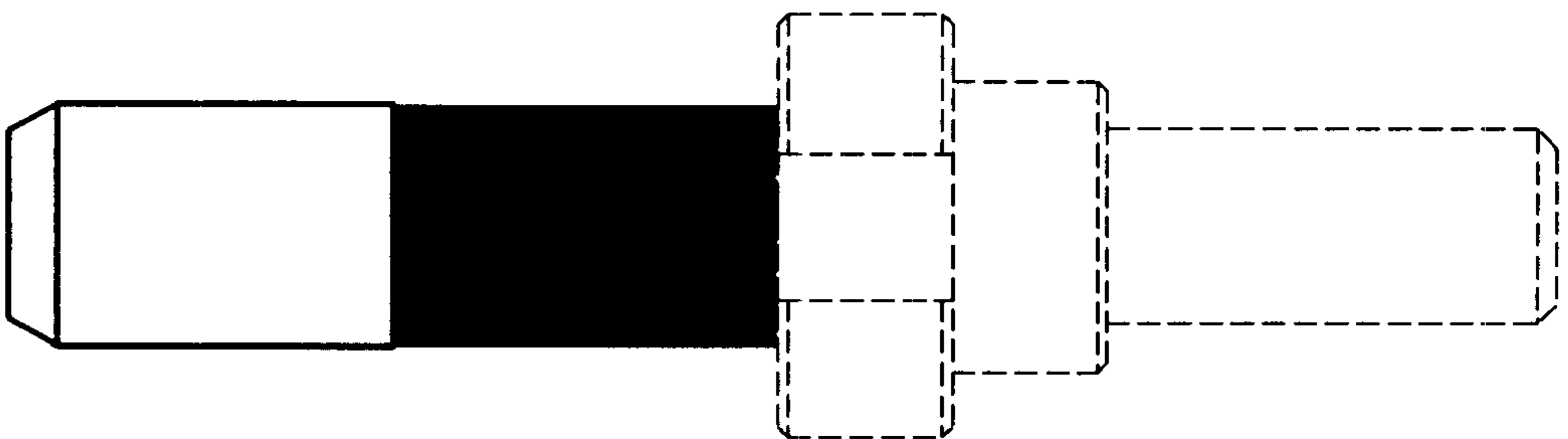


FIG. 12

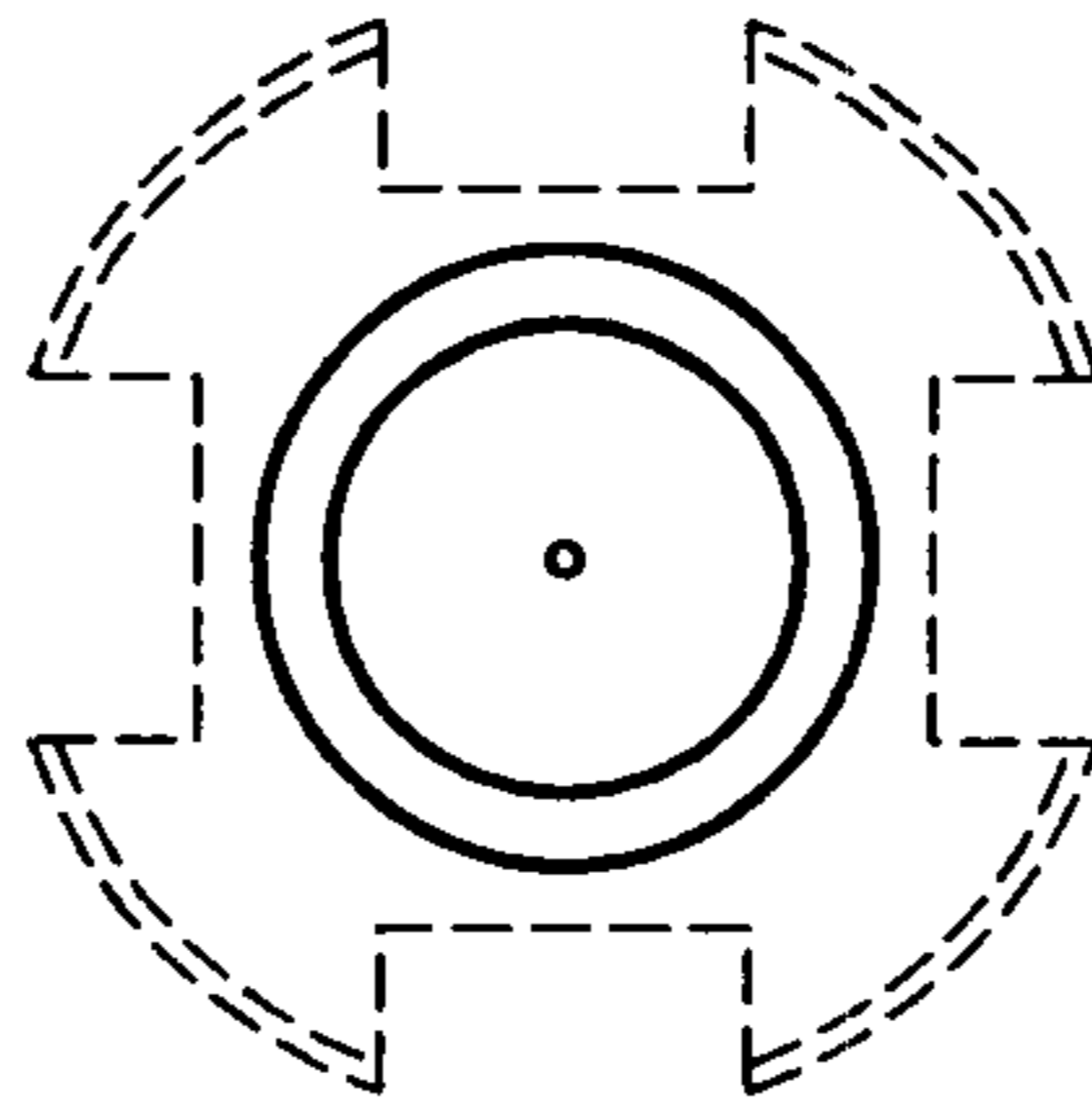


FIG. 13

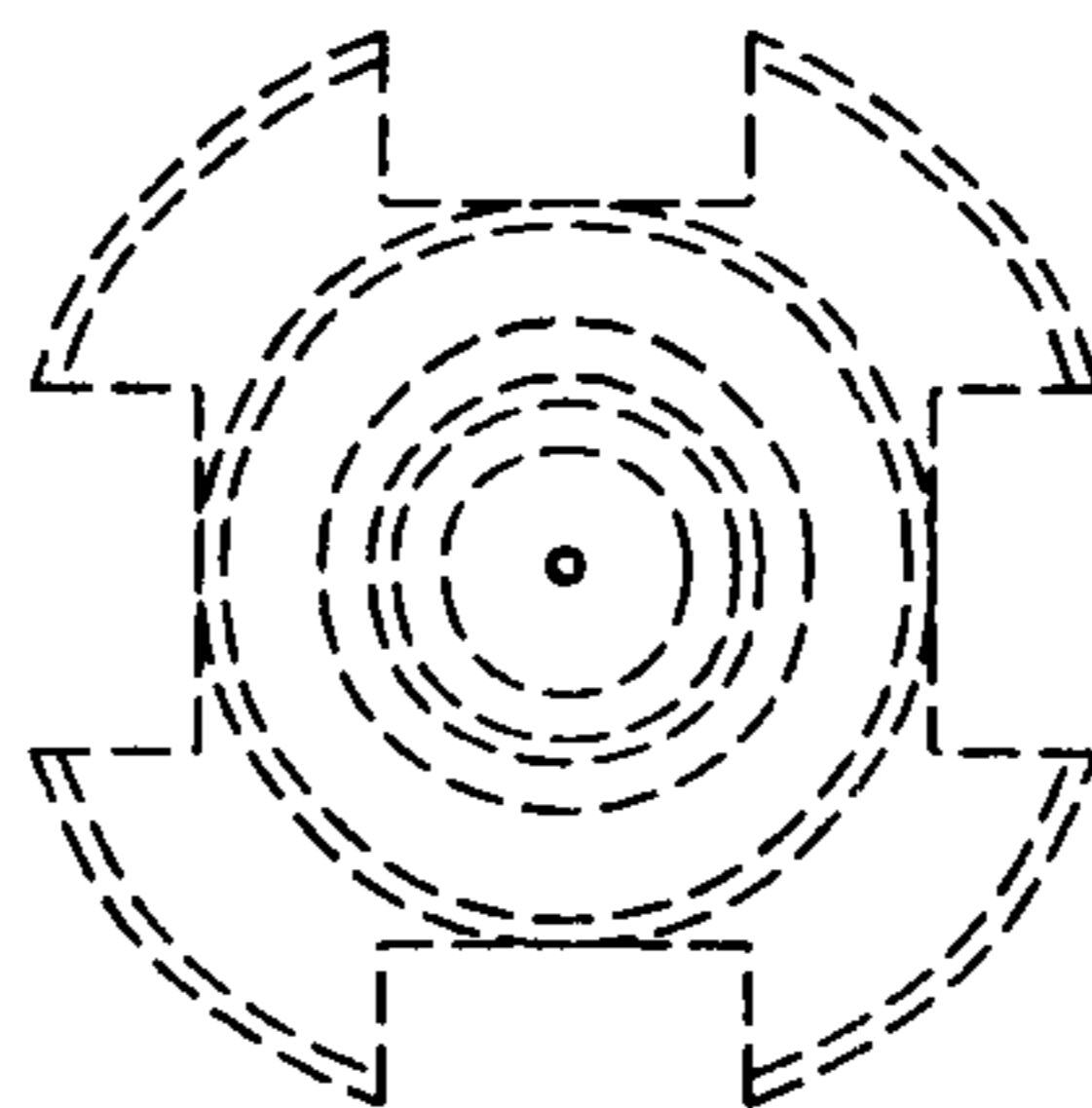


FIG. 14

