



US00D480687S

(12) **United States Design Patent**  
**Zhu et al.**

(10) **Patent No.: US D480,687 S**

(45) **Date of Patent: \*\* \*Oct. 14, 2003**

(54) **ELECTRICAL CONNECTOR**

(75) Inventors: **ZiQiang Zhu**, Kunsan (CN); **Jinkui Hu**, Kunsan (CN)

(73) Assignee: **Hon Hai Precision Ind. Co., Ltd.**, Taipei Hsien (TW)

(\* ) Notice: This patent is subject to a terminal disclaimer.

(\*\*) Term: **14 Years**

(21) Appl. No.: **29/171,491**

(22) Filed: **Nov. 21, 2002**

(51) **LOC (7) Cl. .... 13-03**

(52) **U.S. Cl. .... D13/147**

(58) **Field of Search .... D13/146, 147, D13/154; 439/540.1, 541.5, 567, 607**

(56) **References Cited**

**U.S. PATENT DOCUMENTS**

- D407,070 S \* 3/1999 Chang ..... D13/147
- D409,983 S \* 5/1999 Wu ..... D13/147
- D419,134 S \* 1/2000 Chen ..... D13/146

- 6,109,968 A \* 8/2000 Wang ..... 439/607
- 6,155,872 A \* 12/2000 Wu ..... 439/541.5
- 6,183,292 B1 \* 2/2001 Chen et al. .... 439/541.5
- D442,145 S \* 5/2001 Zheng et al. .... D13/147
- 6,238,241 B1 \* 5/2001 Zhu et al. .... 439/541.5
- D446,775 S \* 8/2001 Chao-Hsing et al. .... D13/147
- D464,936 S \* 10/2002 Hu et al. .... D13/147
- 6,520,799 B1 \* 2/2003 Cheng et al. .... 439/541.5

\* cited by examiner

*Primary Examiner*—Joel Sincavage

(74) *Attorney, Agent, or Firm*—Wei Te Chung

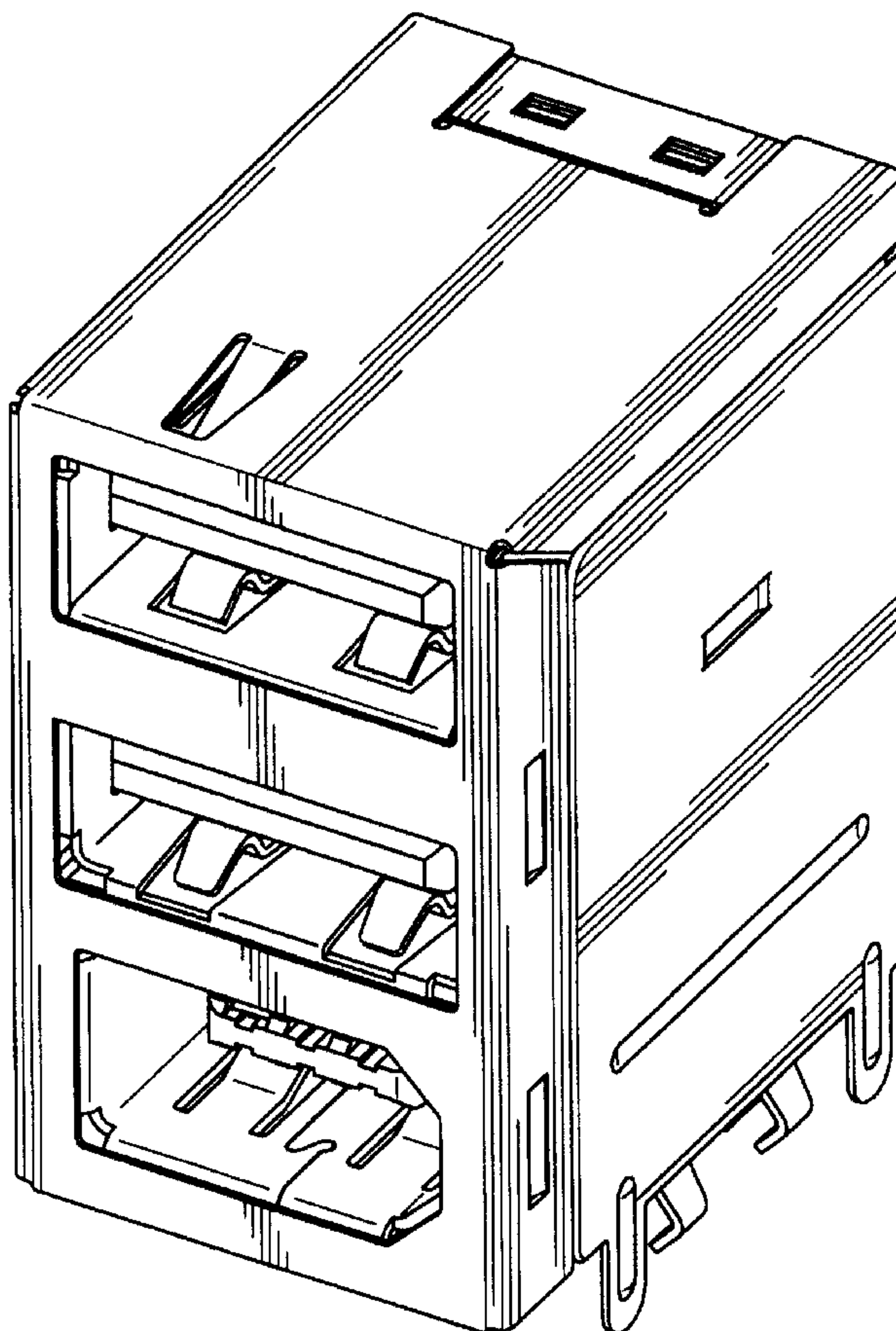
(57) **CLAIM**

The ornamental design for an electrical connector, as shown.

**DESCRIPTION**

FIG. 1 is a front, top and right side perspective view of an electrical connector showing our new design; FIG. 2 is a front elevational view of FIG. 1; FIG. 3 is a rear elevational view of FIG. 1; FIG. 4 is a left side elevational view of FIG. 1; FIG. 5 is a right side elevational view of FIG. 1; FIG. 6 is a top plan view of FIG. 1; and, FIG. 7 is a bottom plan view of FIG. 1.

**1 Claim, 7 Drawing Sheets**



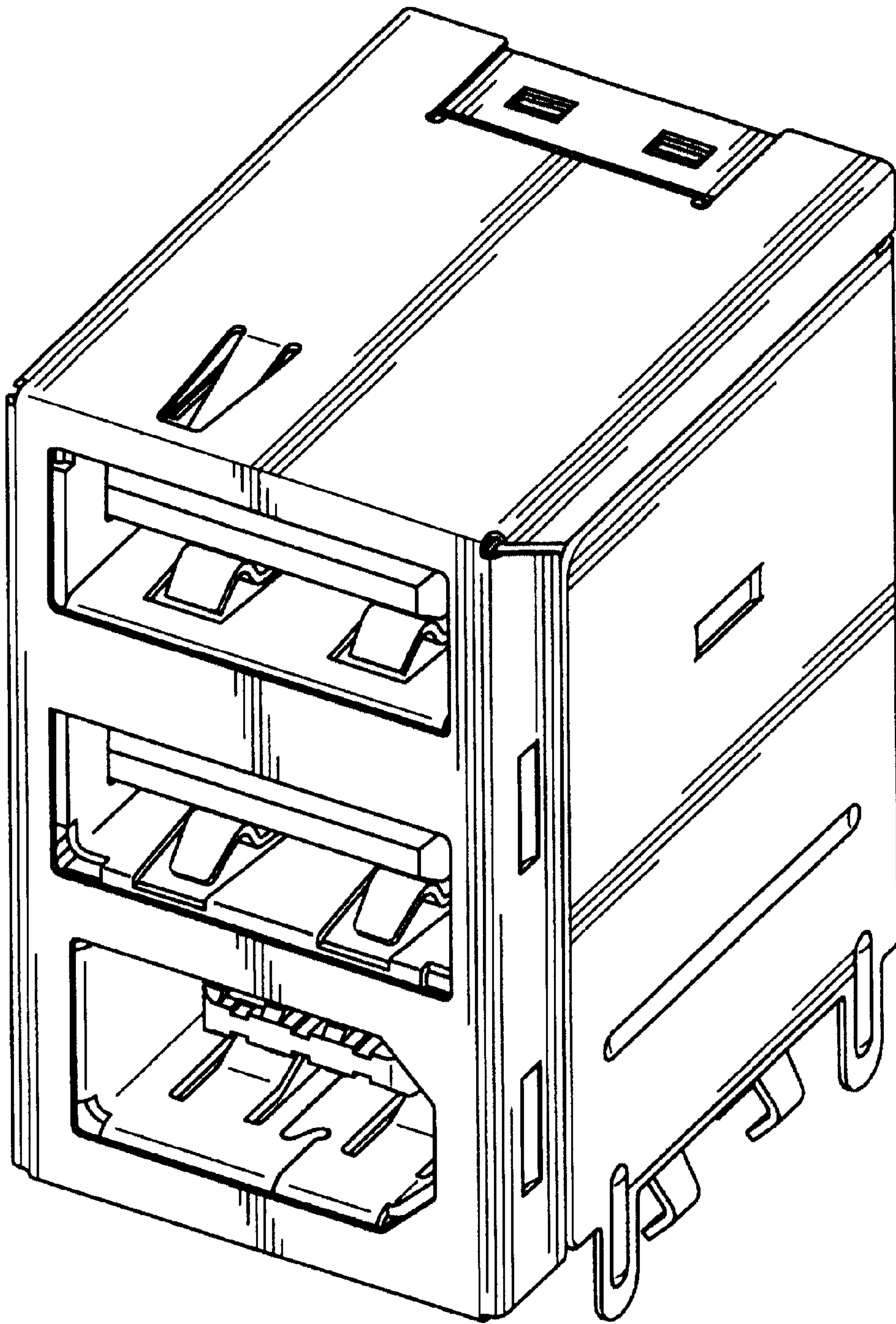


FIG. 1

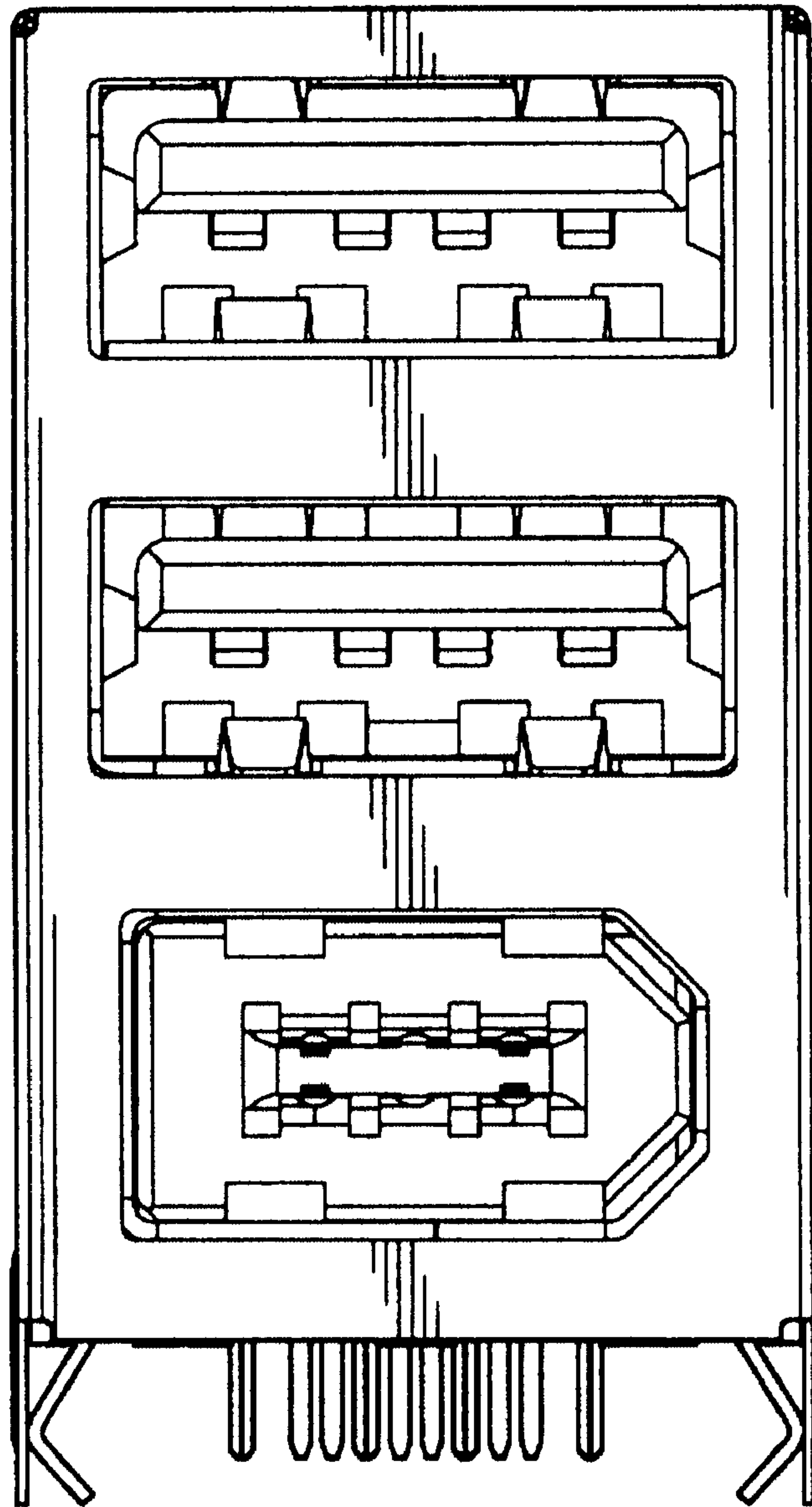


FIG. 2

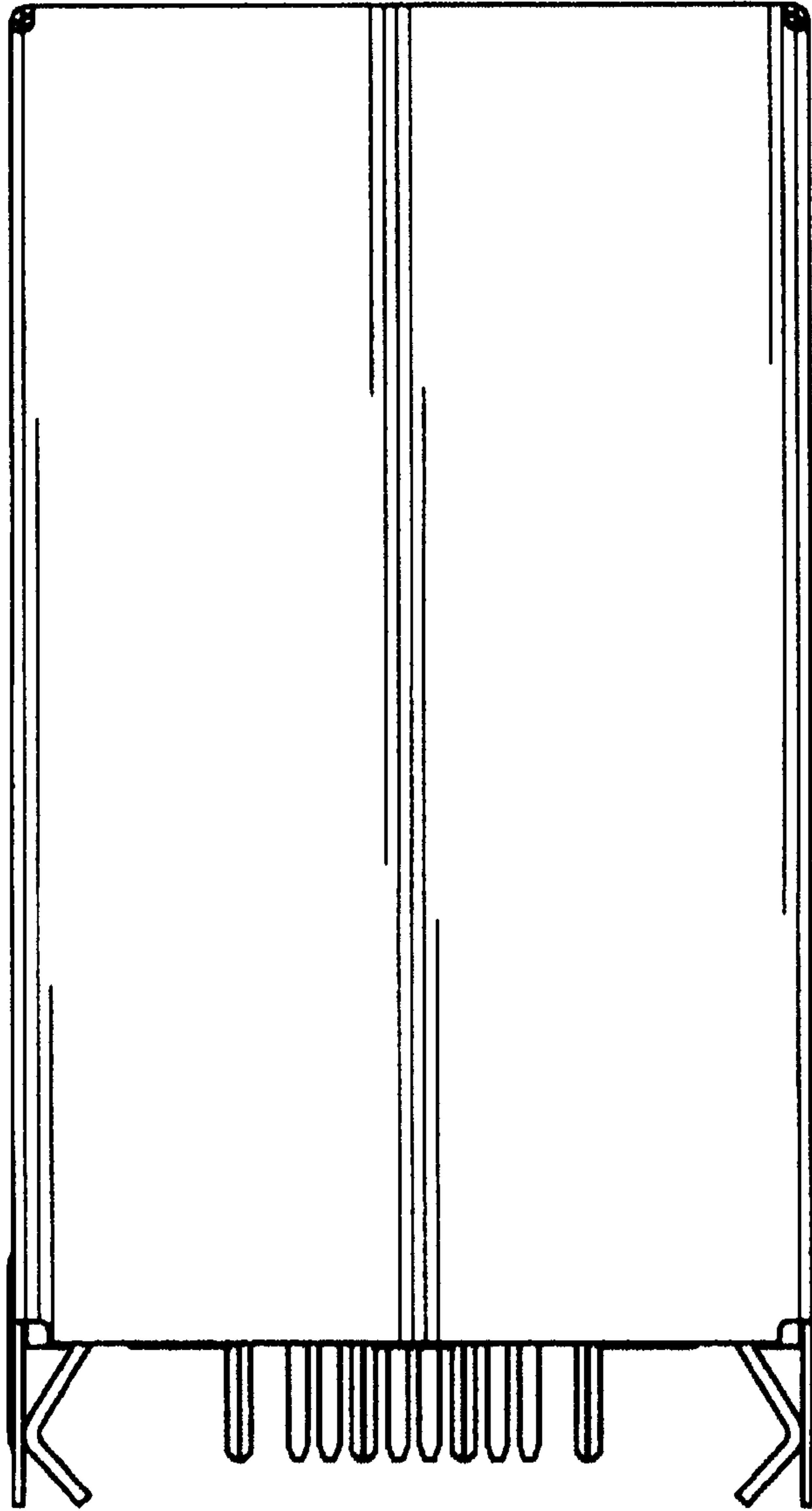


FIG. 3

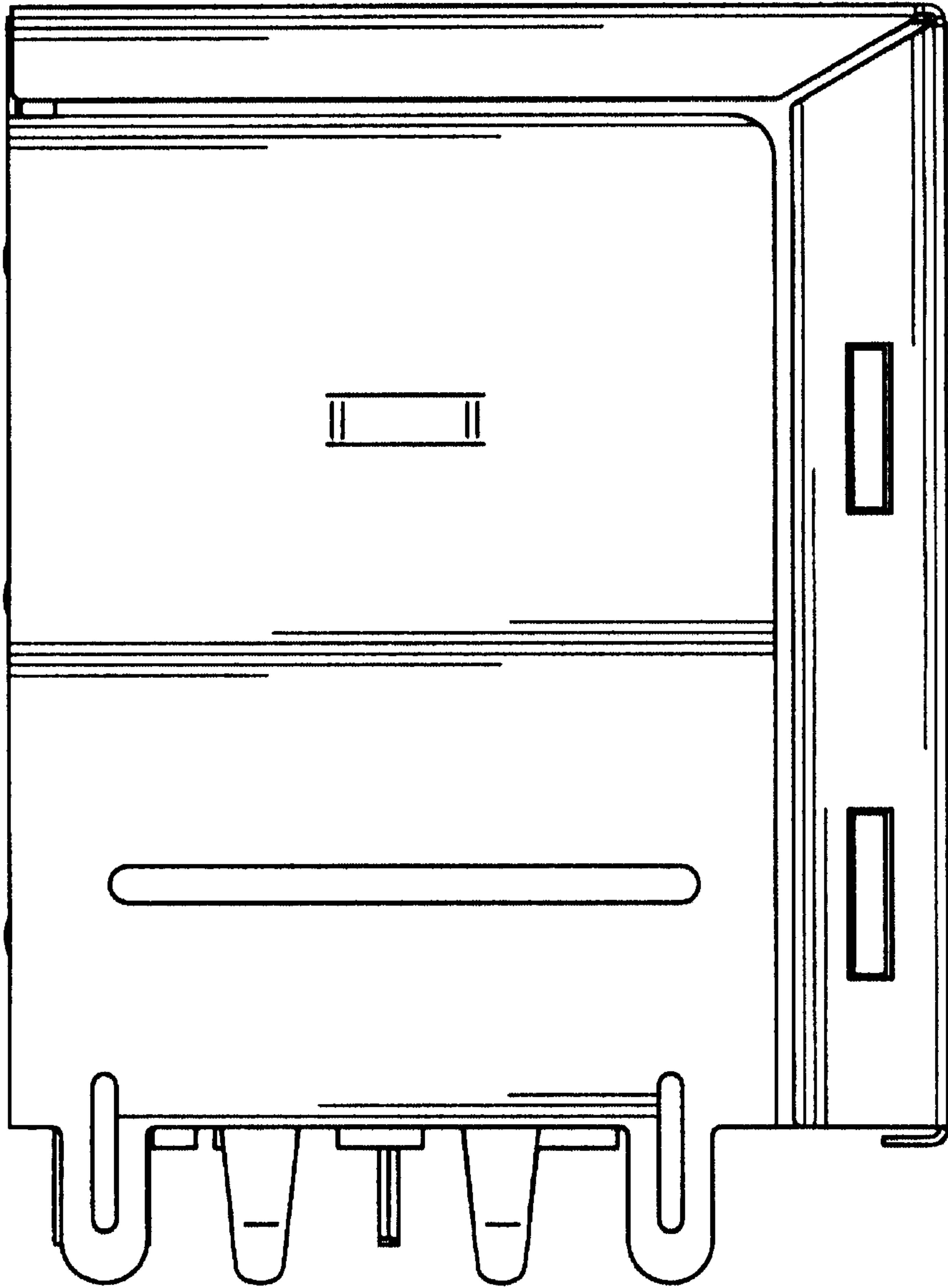


FIG. 4



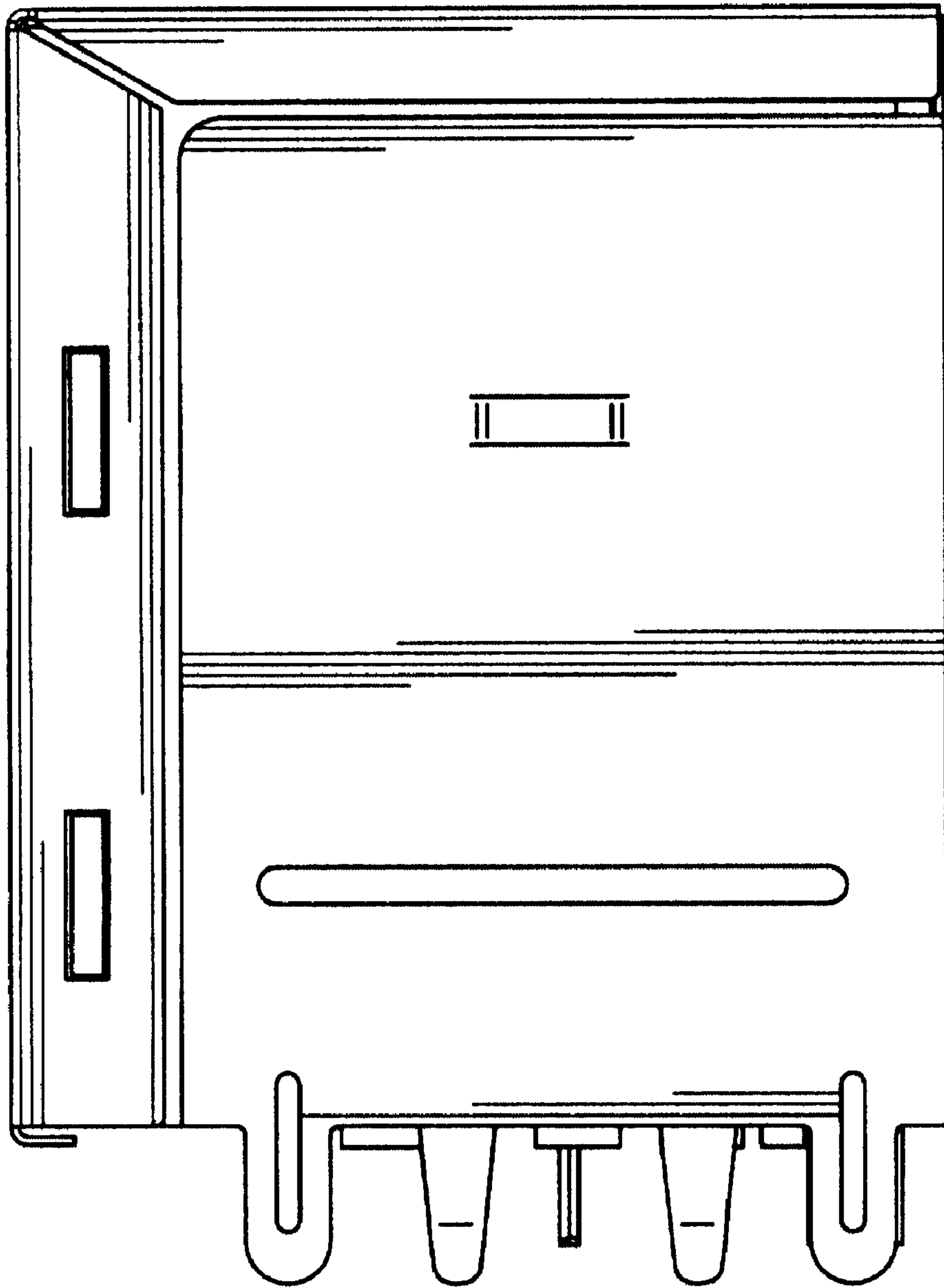


FIG. 5

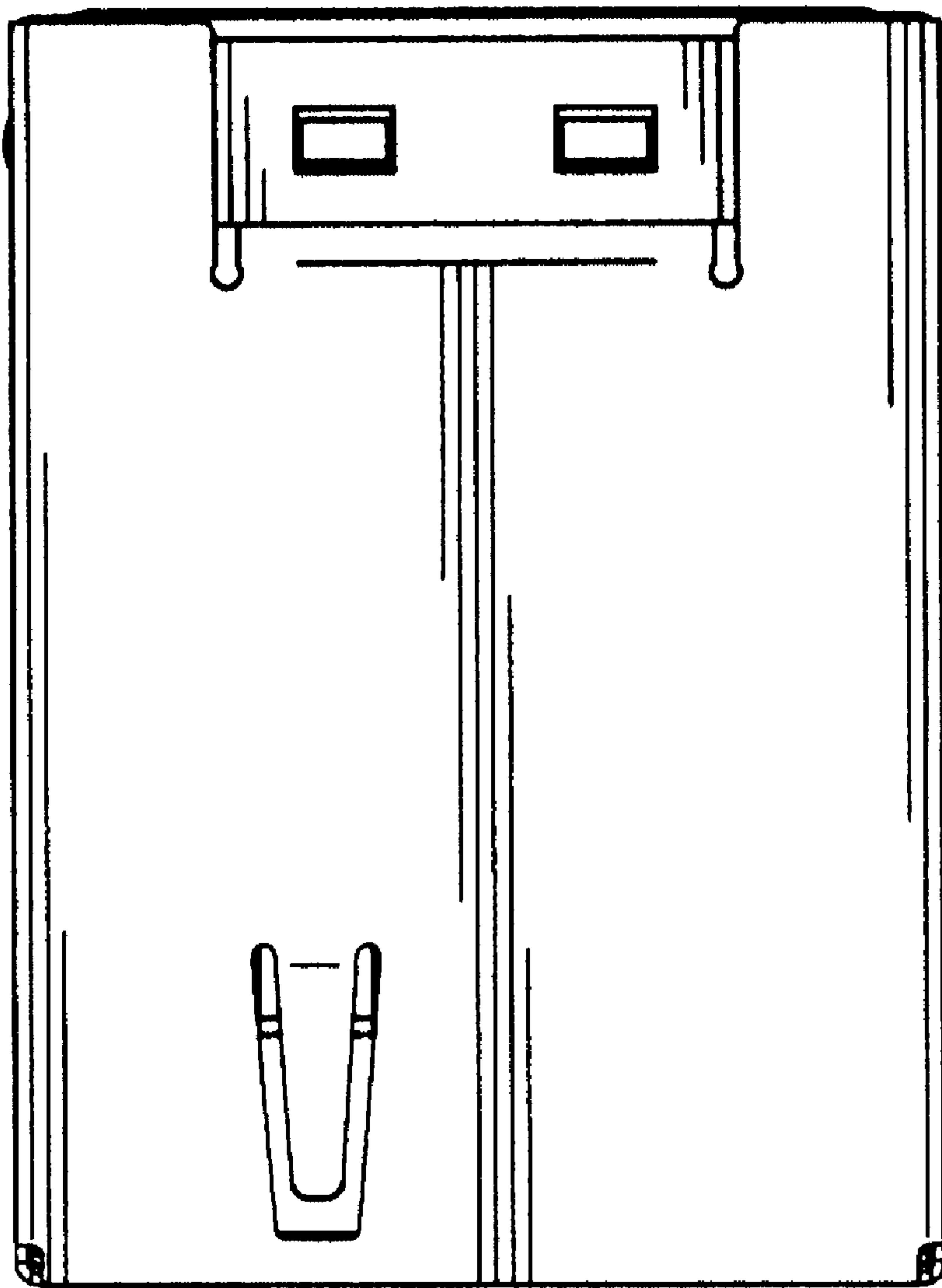


FIG. 6

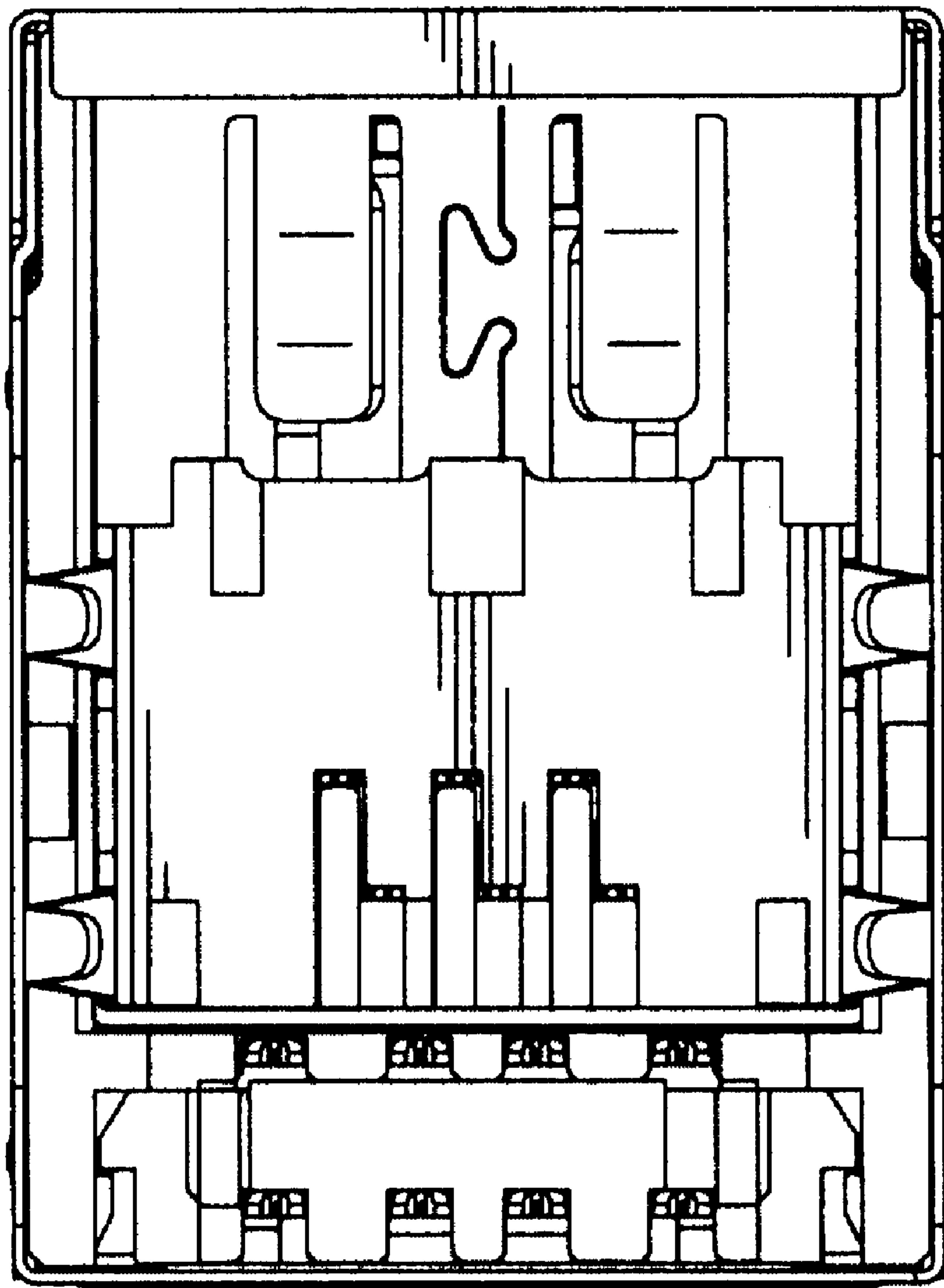


FIG. 7