



US00D480686S

(12) **United States Design Patent**
Takahashi

(10) **Patent No.:** **US D480,686 S**

(45) **Date of Patent:** **** Oct. 14, 2003**

(54) **ELECTRIC CONNECTOR**

(75) Inventor: **Kazuya Takahashi, Zama (JP)**

(73) Assignee: **Molex Incorporated, Lisle, IL (US)**

(**) Term: **14 Years**

(21) Appl. No.: **29/164,306**

(22) Filed: **Jul. 22, 2002**

(30) **Foreign Application Priority Data**

Jan. 21, 2002 (JP) 2002-001241

(51) **LOC (7) Cl.** **13-03**

(52) **U.S. Cl.** **D13/147**

(58) **Field of Search** D13/146, 147,
D13/154; 439/79, 108, 607, 610

(56) **References Cited**

U.S. PATENT DOCUMENTS

D427,567 S * 7/2000 Nishio et al. D13/147

6,224,420 B1 * 5/2001 Nishio et al. 439/607 X

D450,302 S * 11/2001 Shimojyo D13/147

D452,848 S * 1/2002 Shimojyo D13/147

D455,402 S * 4/2002 Hu D13/147

6,508,678 B1 * 1/2003 Yang 439/607 X

2002/0081903 A1 * 6/2002 Yang 439/607

2002/0142657 A1 * 10/2002 Nishio et al. 439/607

* cited by examiner

Primary Examiner—Joel Sincavage

(74) *Attorney, Agent, or Firm*—Robert J. Zeitler

(57) **CLAIM**

The ornamental Design for a electric connector, as shown and described.

DESCRIPTION

FIG. 1 is a front view of a receptacle connector showing our new design;

FIG. 2 is a rear view thereof;

FIG. 3 is a top view thereof;

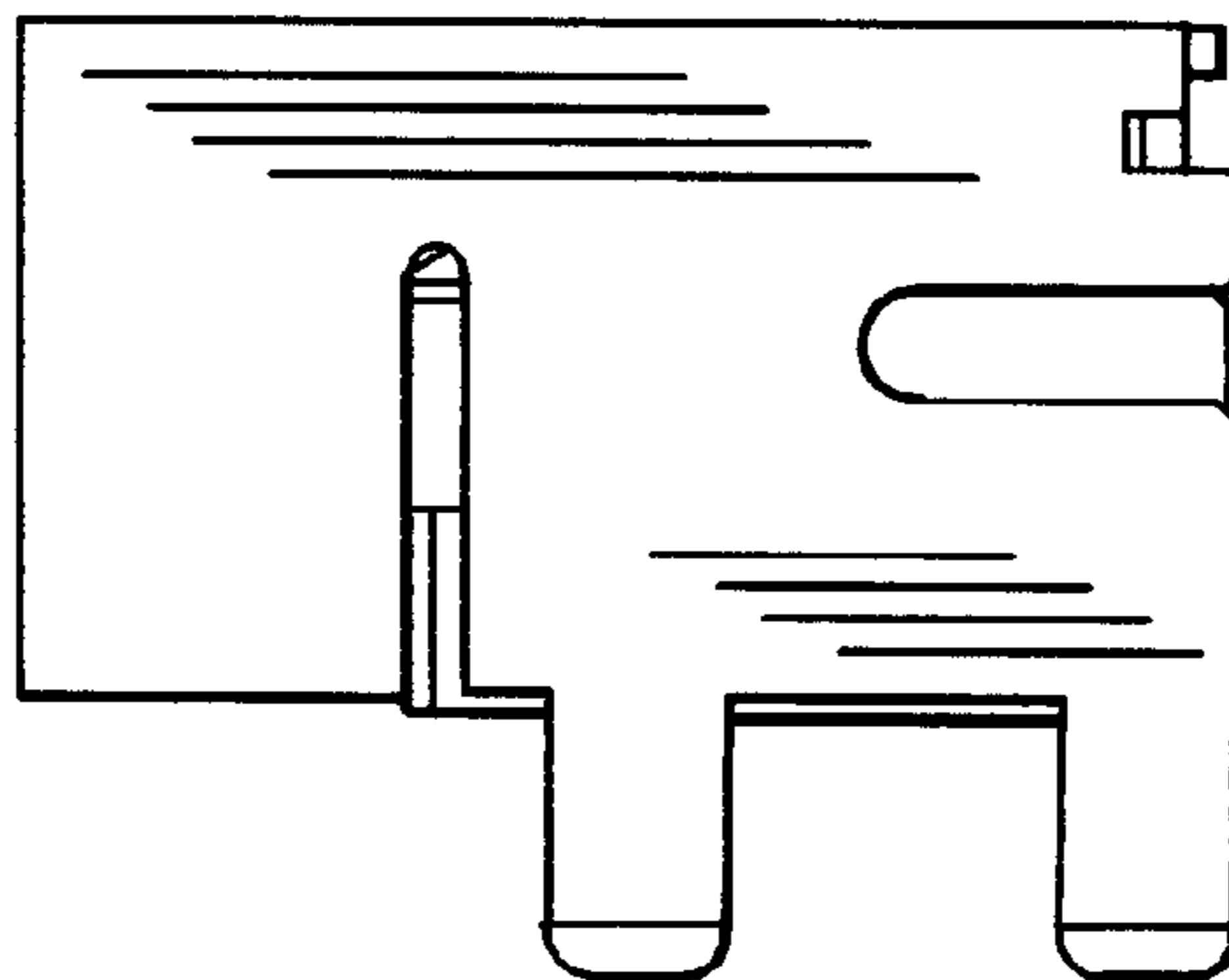
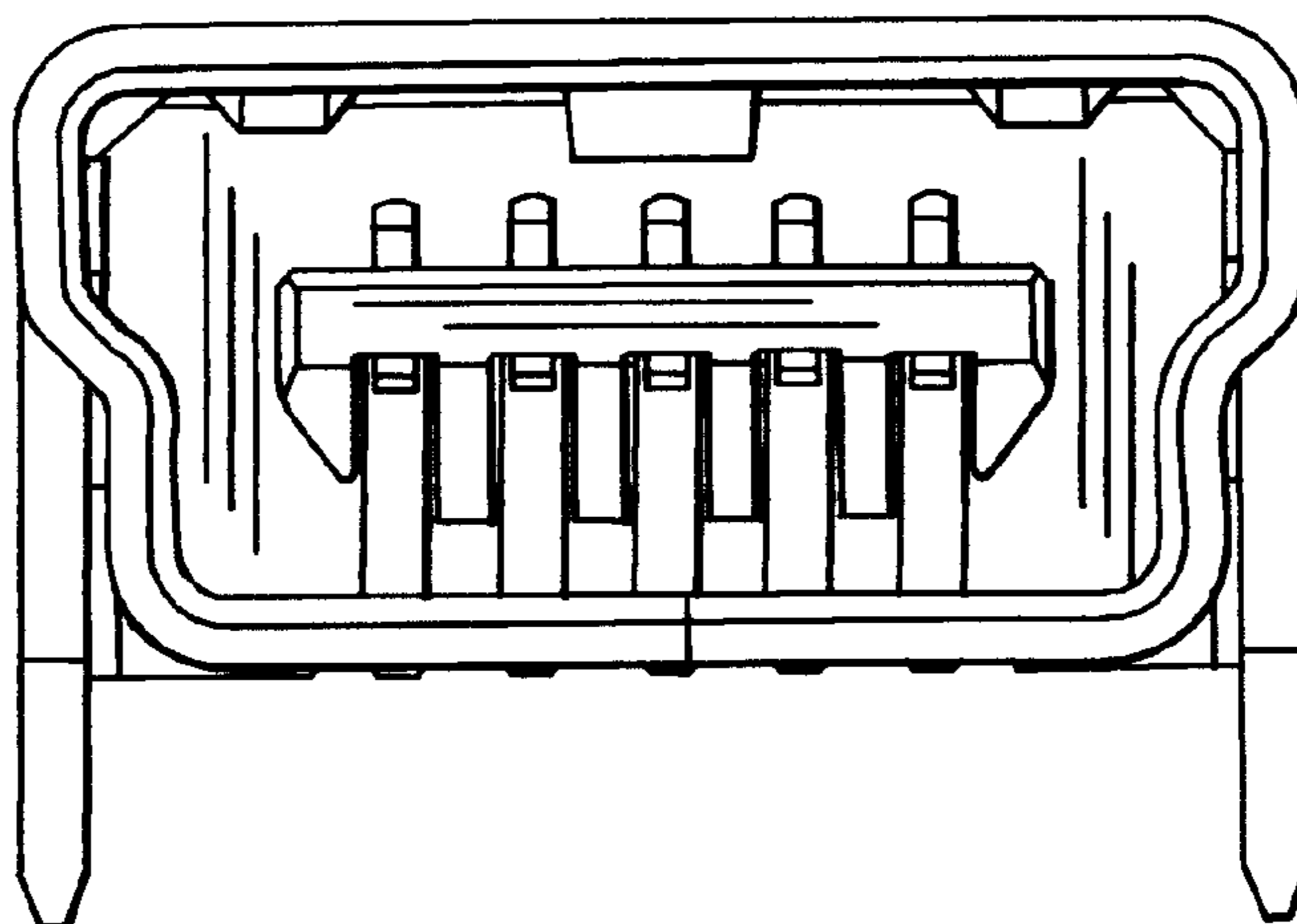
FIG. 4 is a bottom view thereof;

FIG. 5 is a side view thereof;

FIG. 6 is a side view thereof from the side opposite that shown in FIG. 5; and,

FIG. 7 is a cross-sectional view thereof taken at “7—7” of FIG. 3.

1 Claim, 2 Drawing Sheets



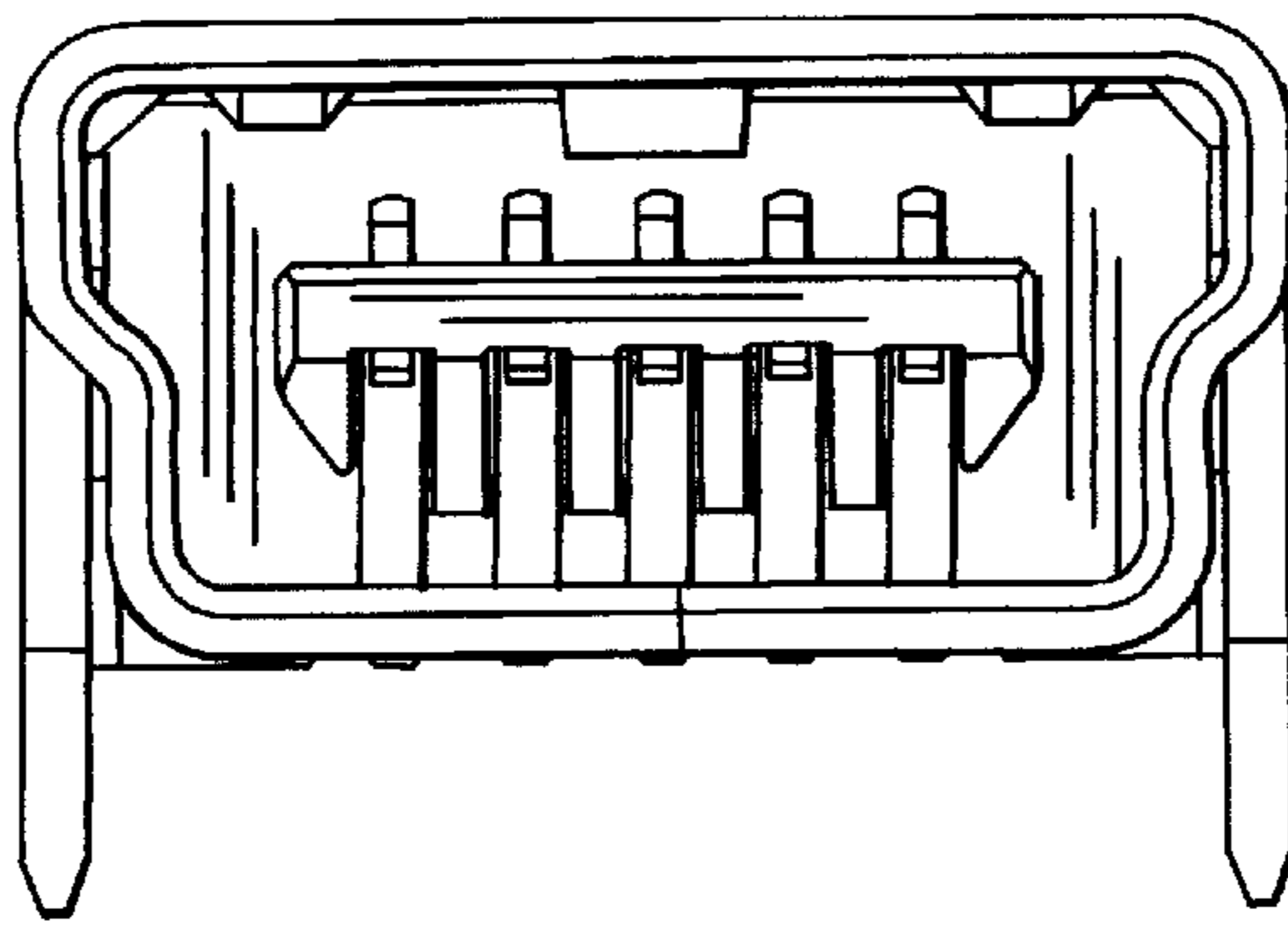


FIG. 1

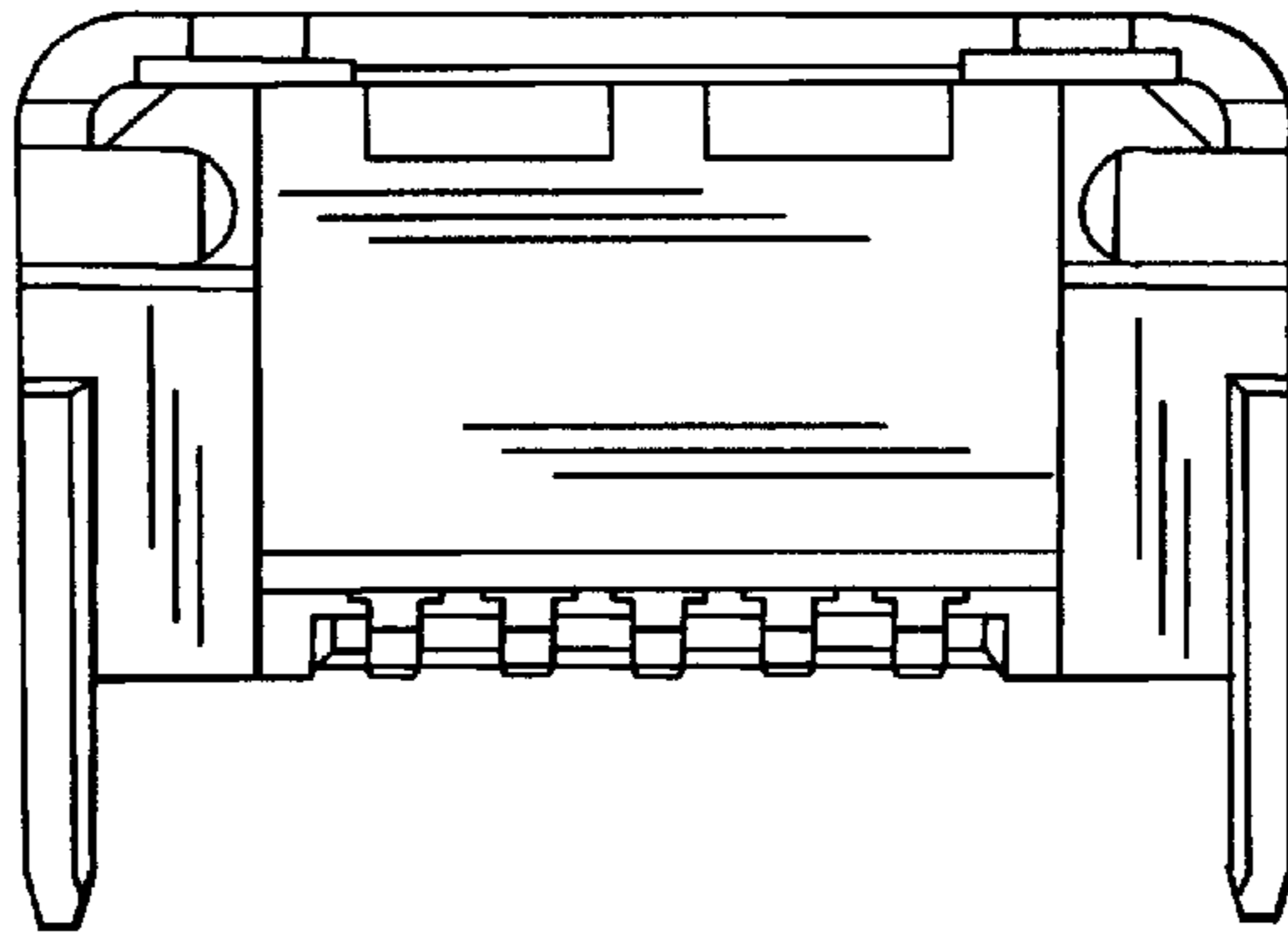


FIG. 2

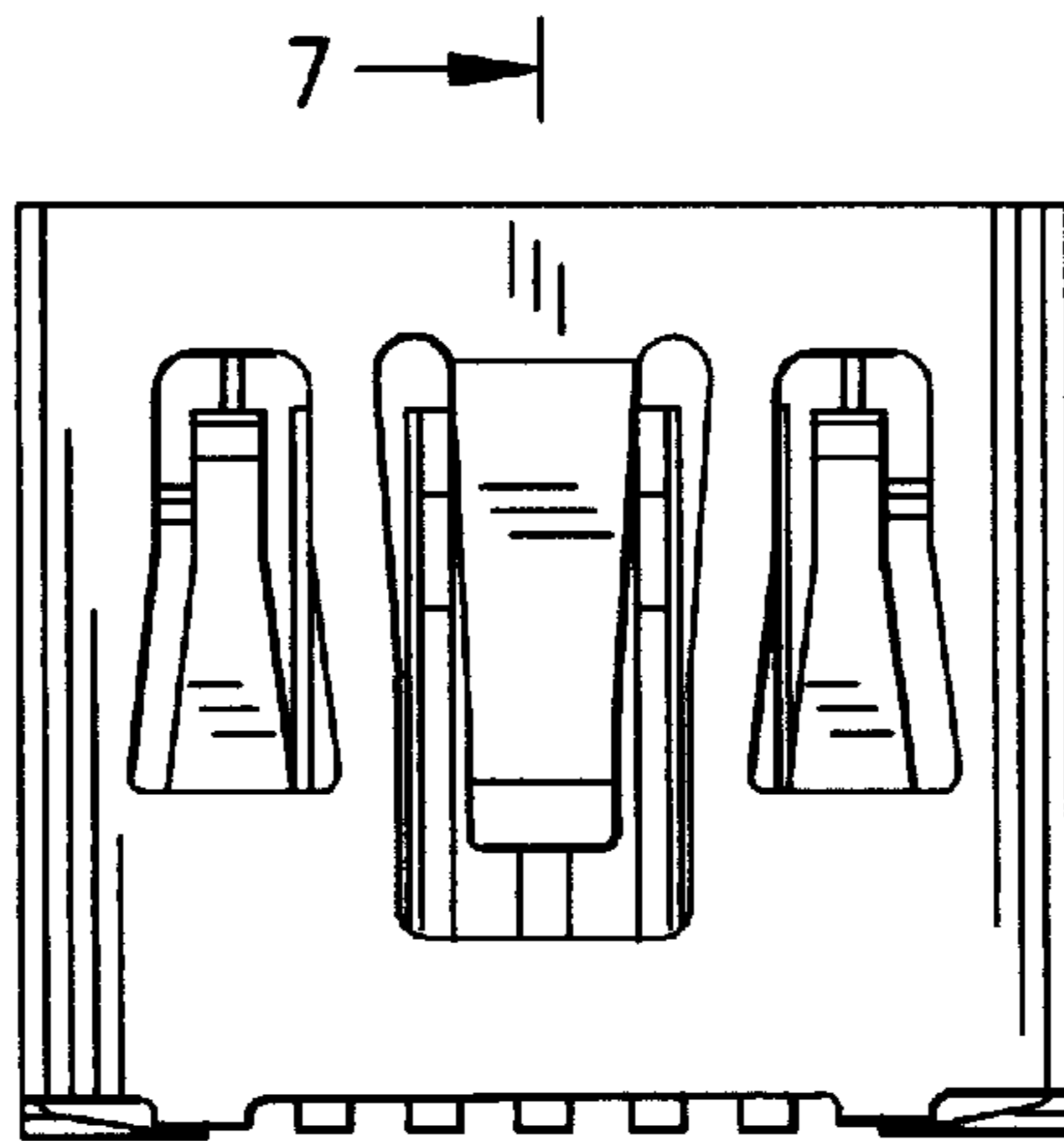


FIG. 3

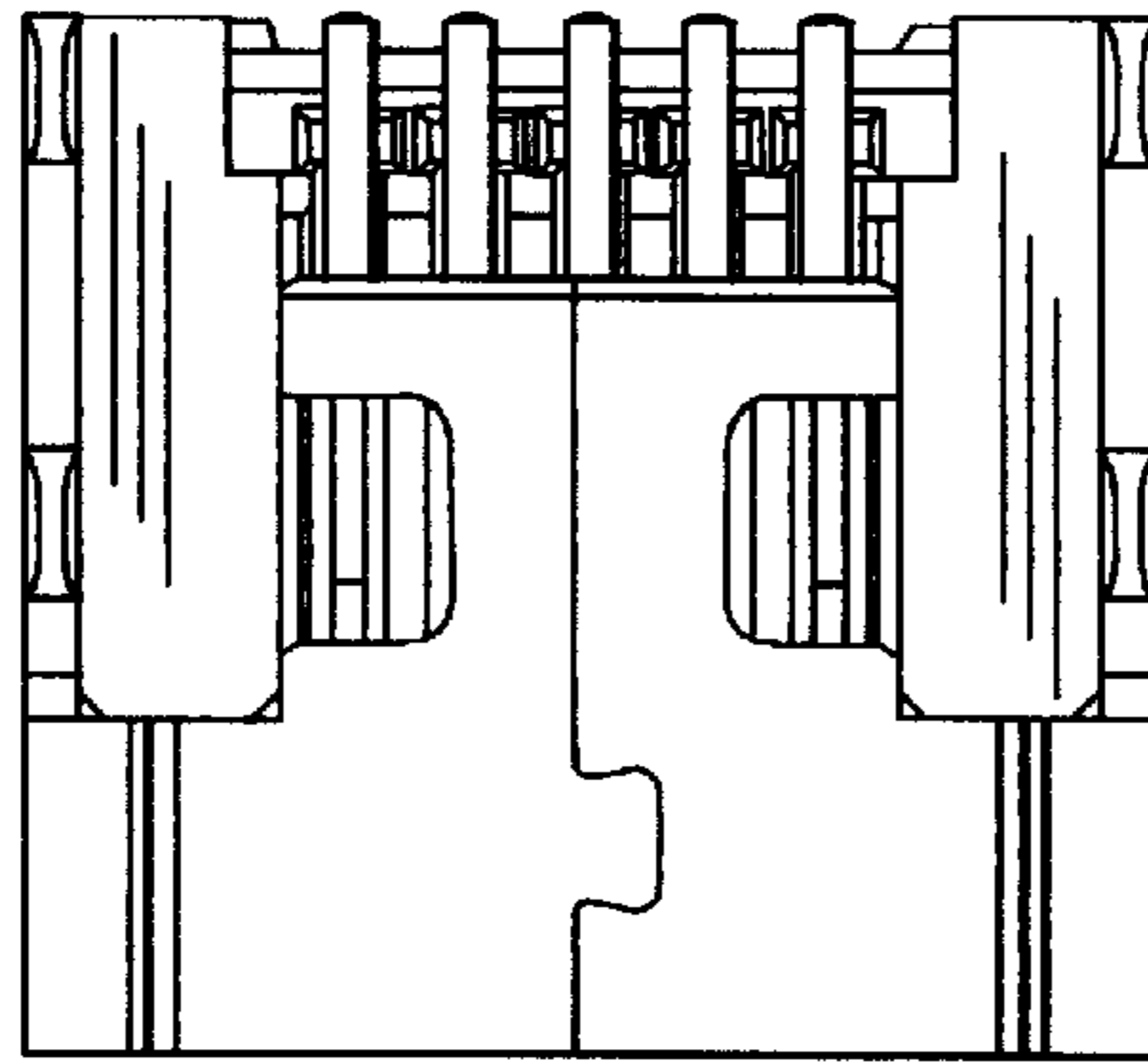


FIG. 4

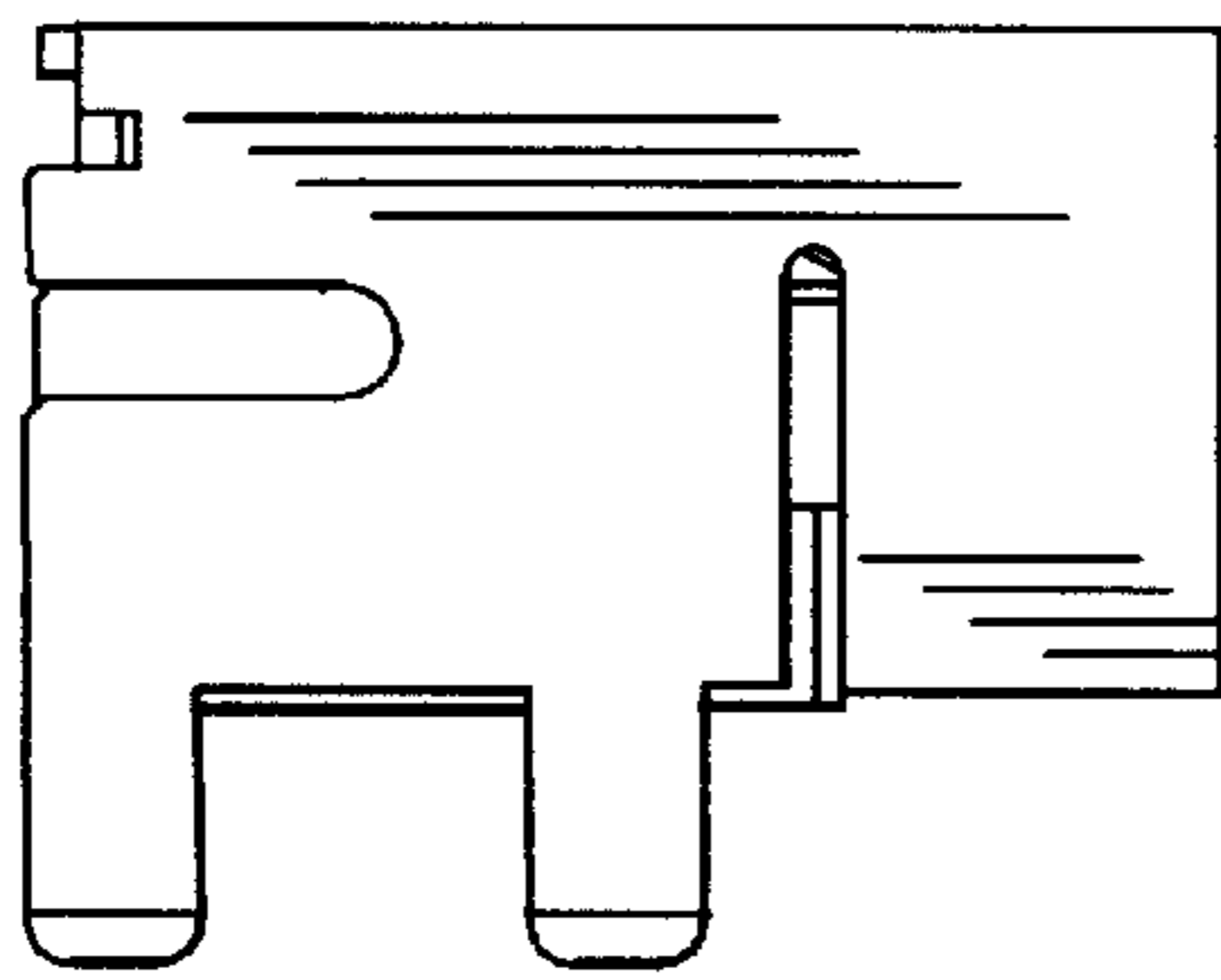


FIG. 5

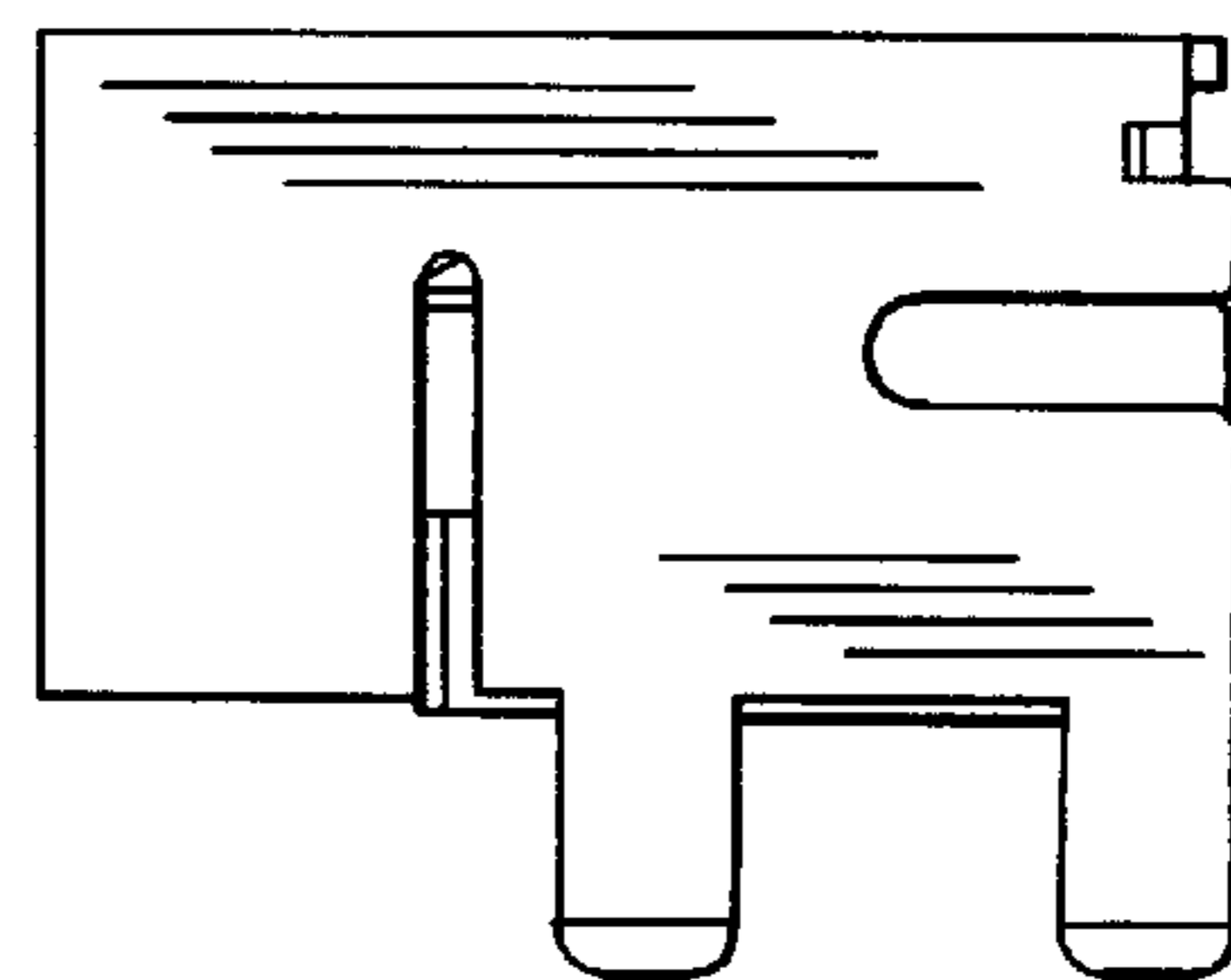


FIG. 6

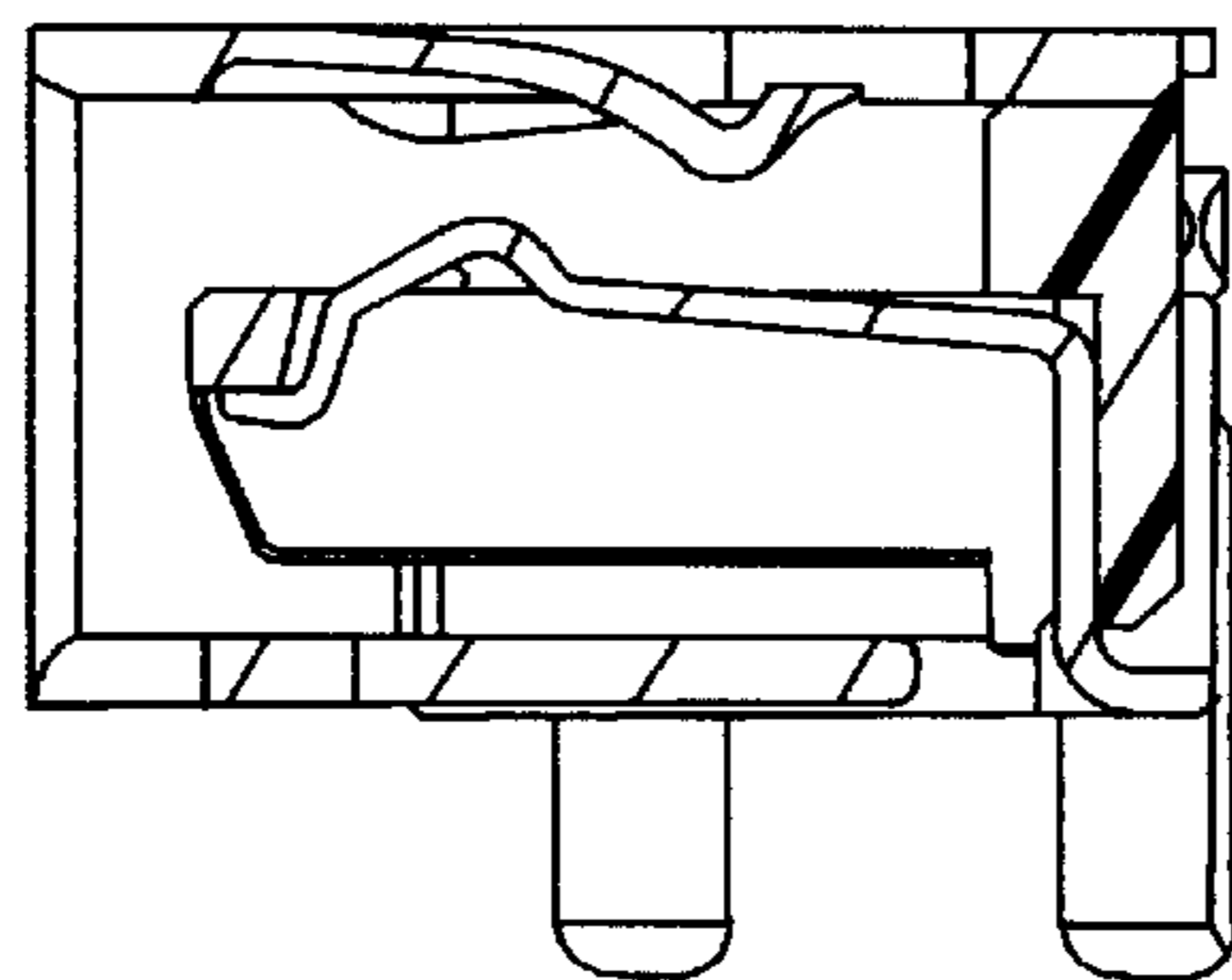


FIG. 7