



US00D480683S

(12) **United States Design Patent**
Ho

(10) **Patent No.:** **US D480,683 S**

(45) **Date of Patent:** **** Oct. 14, 2003**

(54) **POWER SUPPLY**

D413,106 S * 8/1999 Yeh et al. D14/349

(75) Inventor: **Lien-Hsun Ho**, Taipei (TW)

* cited by examiner

(73) Assignee: **Cyber Power System Inc.**, Taipei (TW)

Primary Examiner—Holly Baynham
(74) *Attorney, Agent, or Firm*—Dellett & Walters

(**) Term: **14 Years**

(57) **CLAIM**

(21) Appl. No.: **29/160,418**

The ornamental design for a power supply, as shown.

(22) Filed: **May 9, 2002**

DESCRIPTION

(51) **LOC (7) Cl.** **13-01**

(52) **U.S. Cl.** **D13/110**

(58) **Field of Search** D13/110; D14/240,
D14/300, 302; 307/64, 150–151; 439/650–654,
107

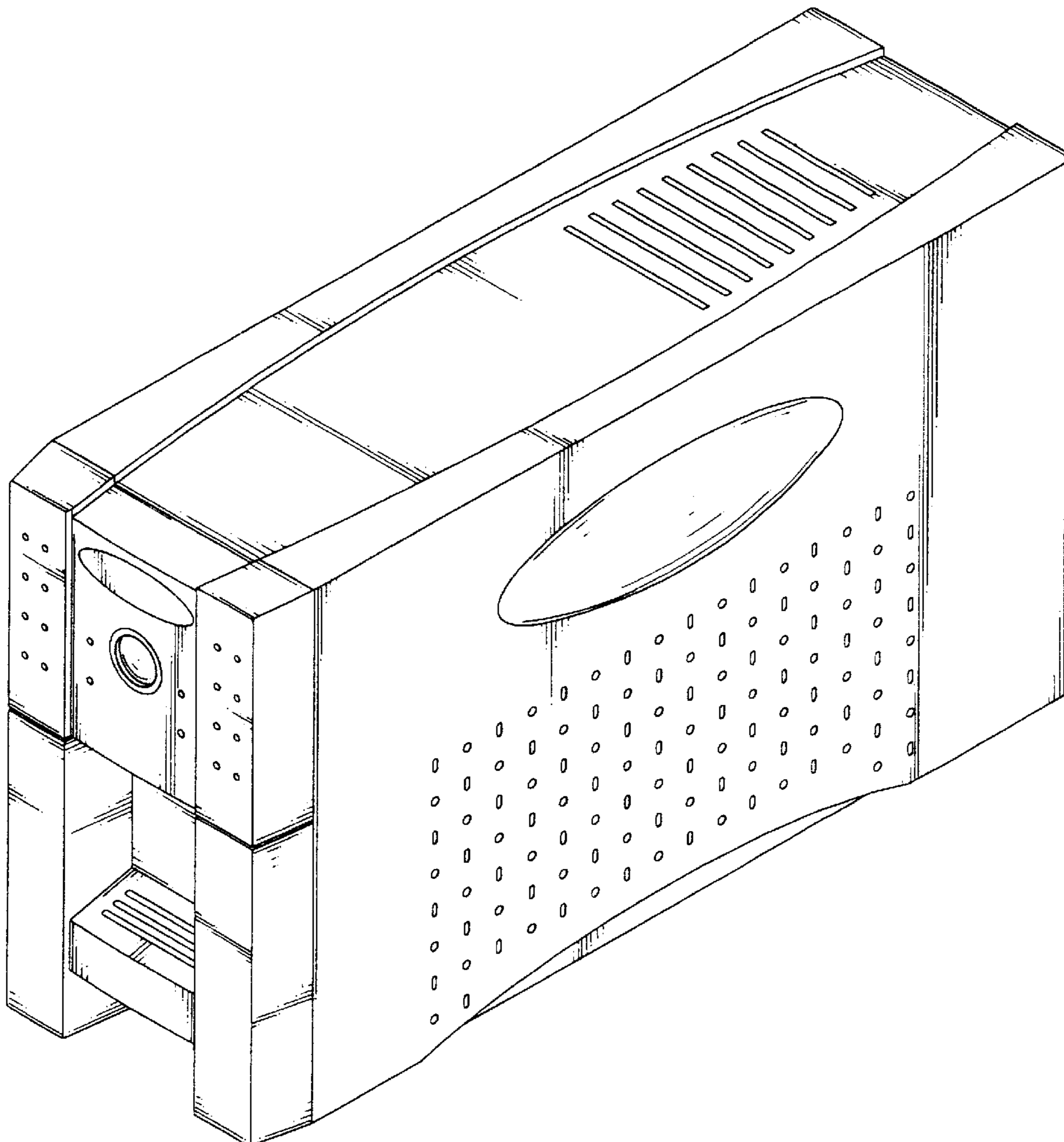
FIG. 1 is a front-right-top perspective view of a power supply, showing my new design;
FIG. 2 is a front elevational view thereof;
FIG. 3 is a rear elevational view thereof;
FIG. 4 is a left elevational view thereof;
FIG. 5 is a right elevational view thereof;
FIG. 6 is top plan view thereof; and,
FIG. 7 is a bottom plan view thereof.

(56) **References Cited**

U.S. PATENT DOCUMENTS

D396,688 S * 8/1998 Lin D13/110
D410,624 S * 6/1999 Loh D13/110

1 Claim, 6 Drawing Sheets



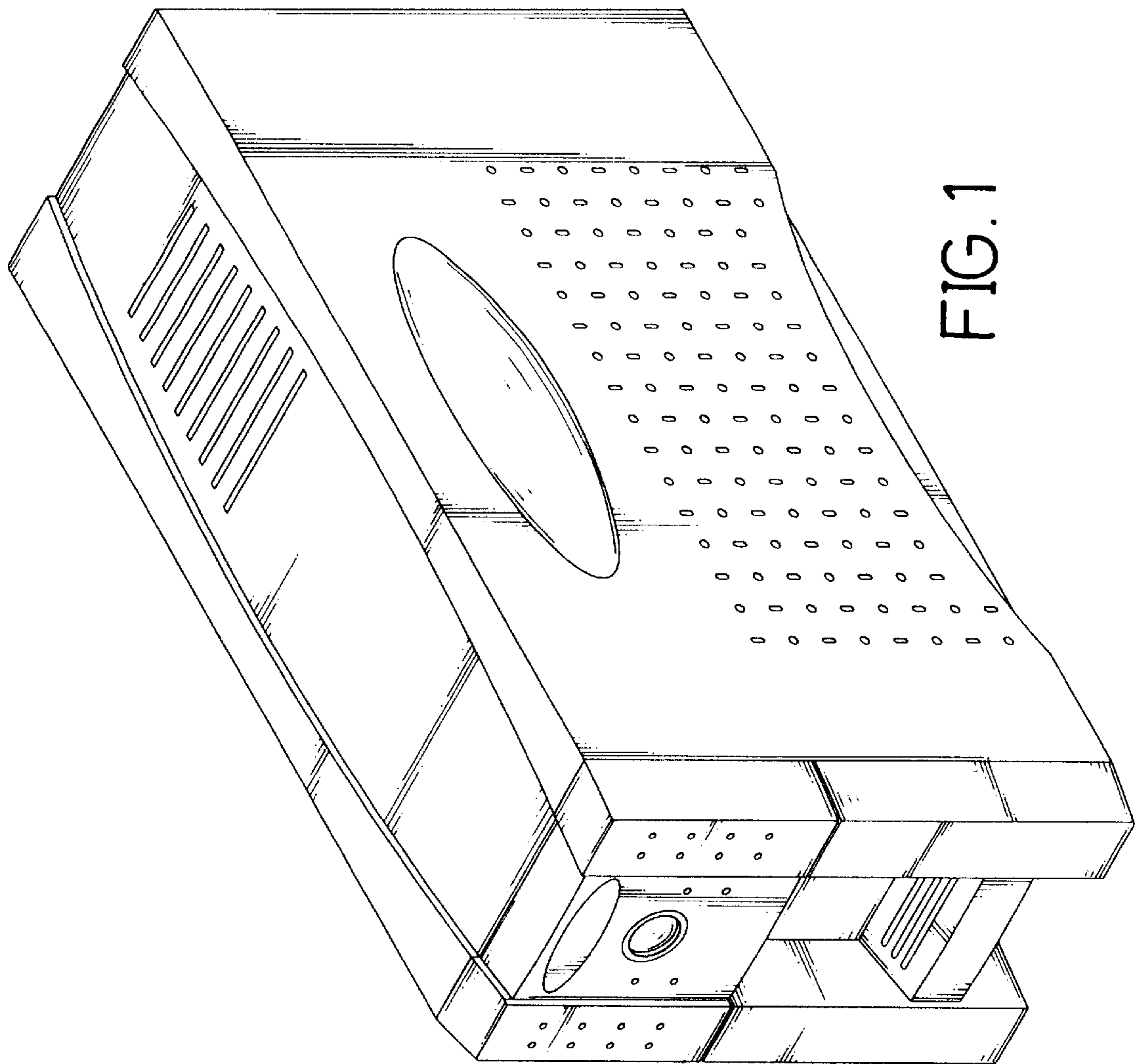


FIG. 1

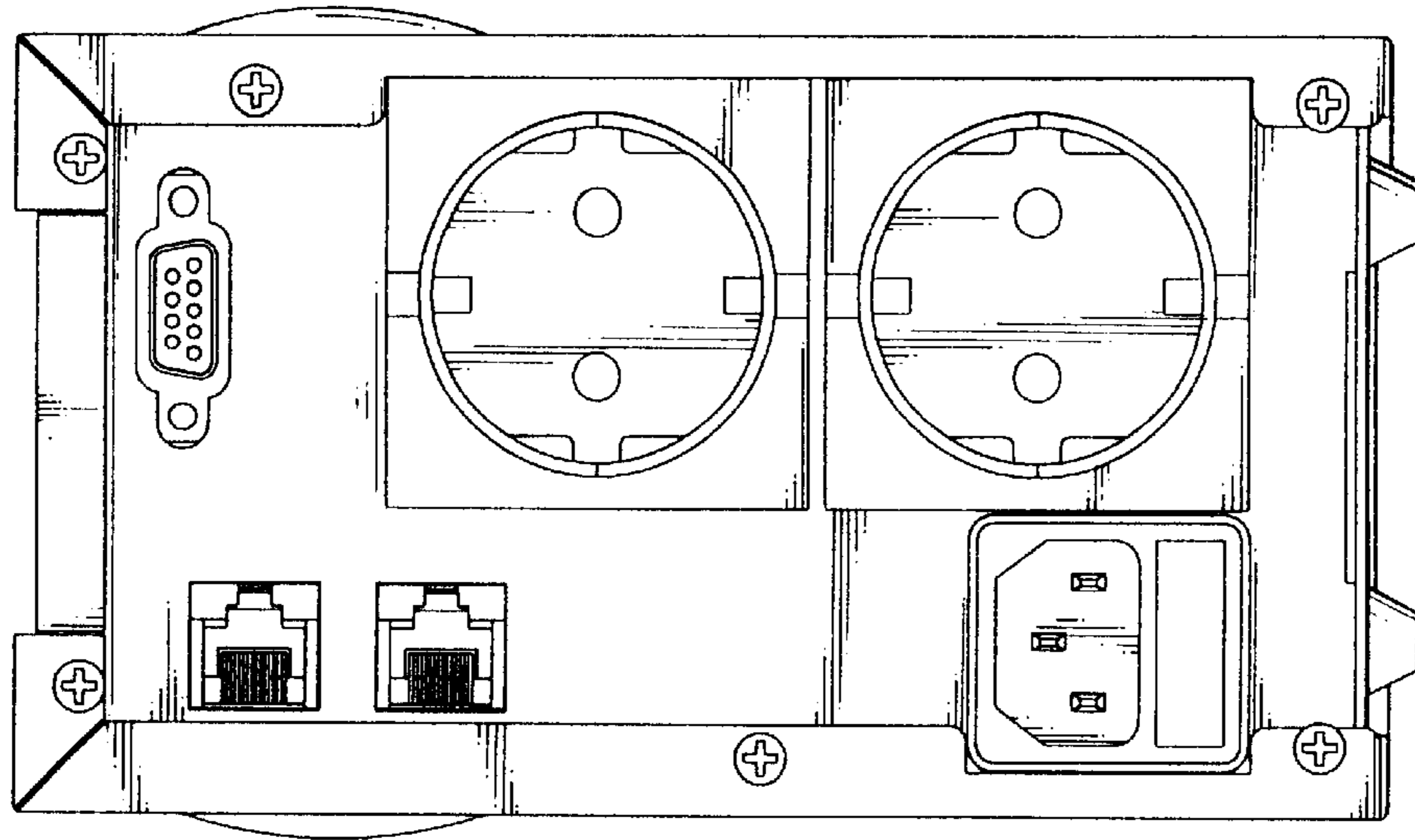


FIG. 3

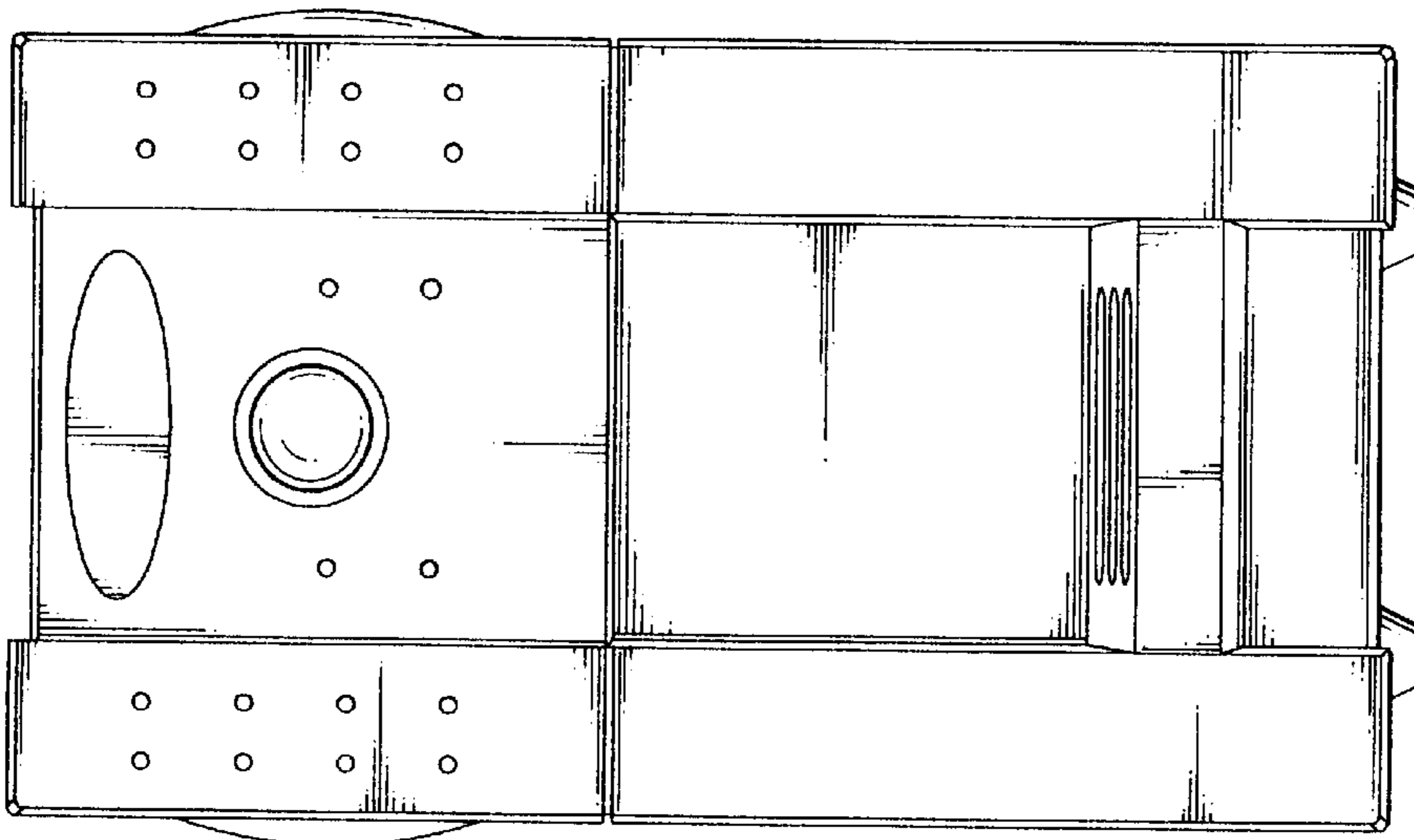


FIG. 2

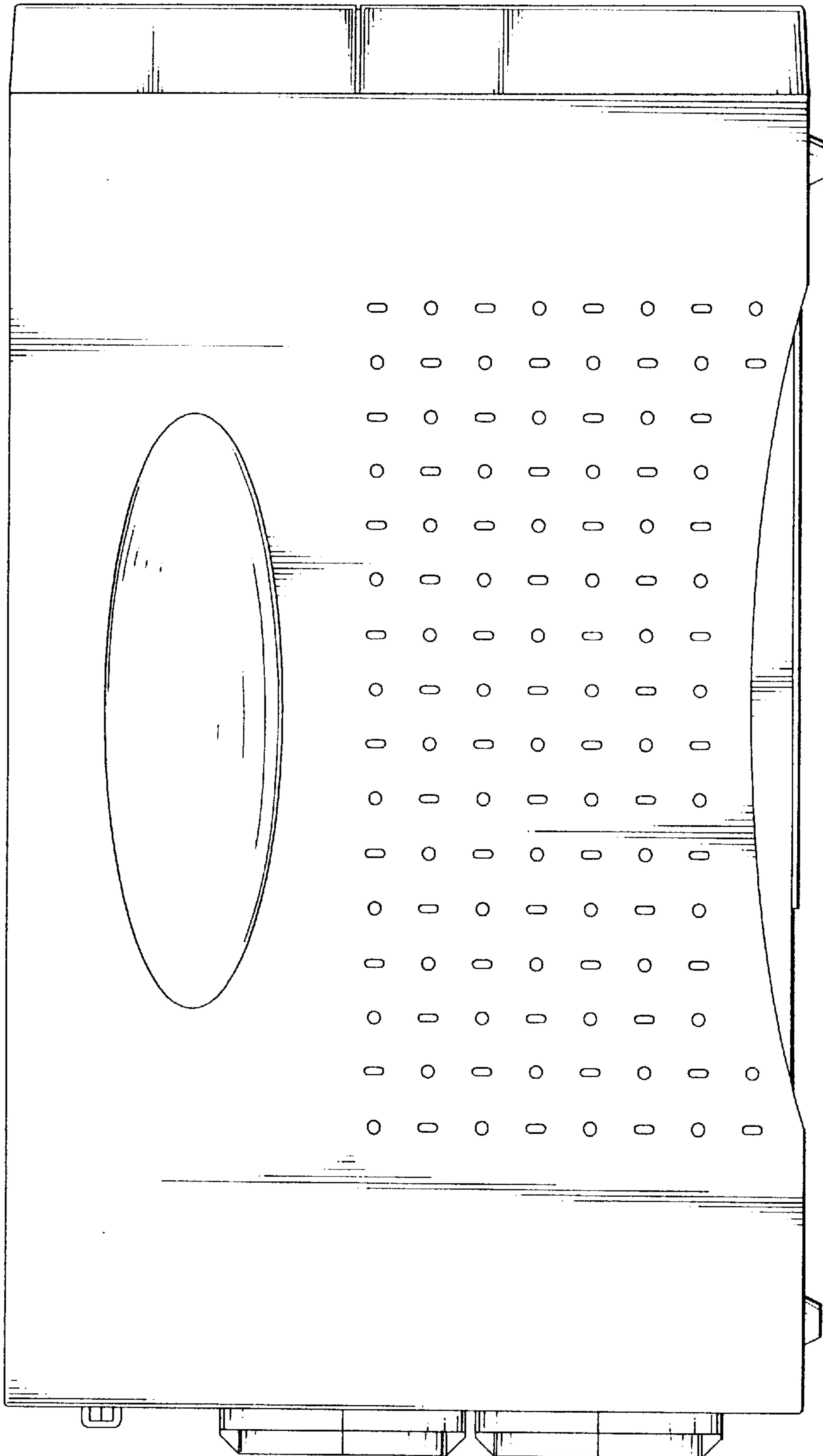


FIG. 4

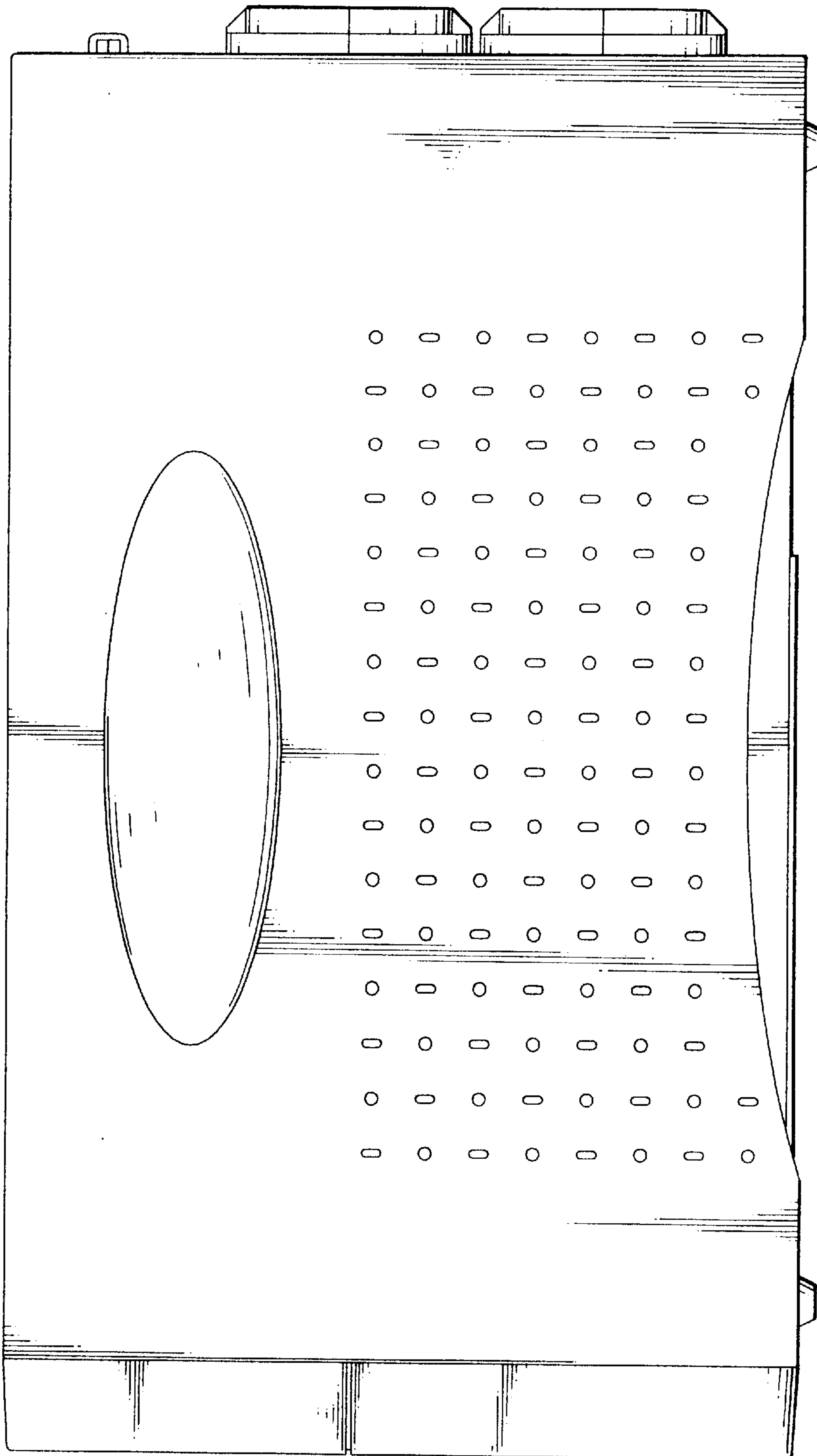


FIG. 5

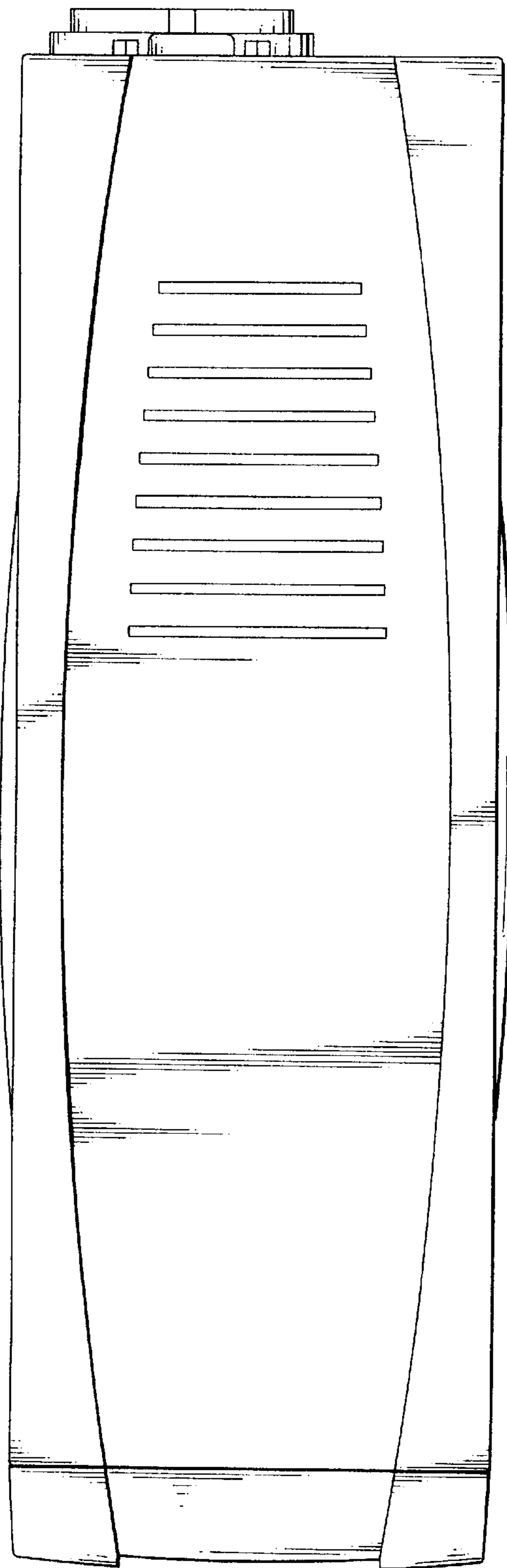


FIG. 6

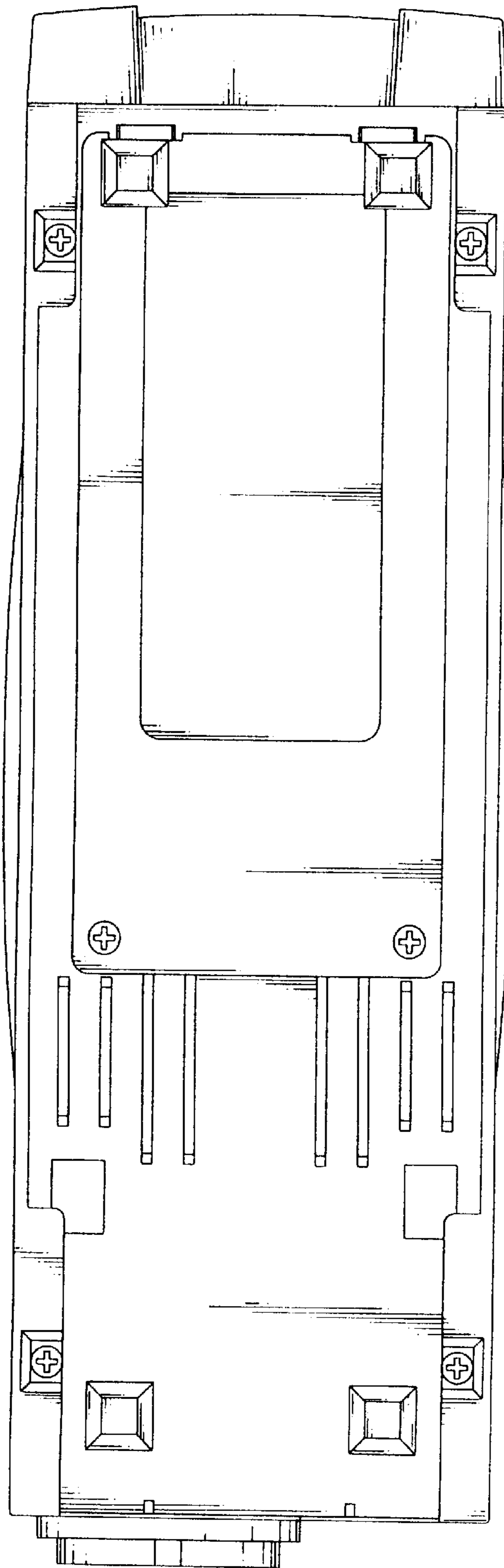


FIG.7