



US00D480682S

(12) **United States Design Patent**  
**Kawase**

(10) **Patent No.:** **US D480,682 S**

(45) **Date of Patent:** **\*\* Oct. 14, 2003**

(54) **BATTERY**

(75) Inventor: **Atsushi Kawase**, Tokyo (JP)

(73) Assignee: **Sony Corporation**, Tokyo (JP)

(\*\*) Term: **14 Years**

(21) Appl. No.: **29/156,728**

(22) Filed: **Mar. 7, 2002**

(51) **LOC (7) Cl.** ..... **13-02**

(52) **U.S. Cl.** ..... **D13/103**

(58) **Field of Search** ..... D13/103; 429/96-100,  
429/159, 163, 176

(56) **References Cited**

**U.S. PATENT DOCUMENTS**

5,216,371 A	*	6/1993	Nagai	.....	324/428
D346,584 S	*	5/1994	Taniguchi	.....	D13/119
5,470,255 A	*	11/1995	McCleerey et al.	.....	439/500
D383,725 S	*	9/1997	Settsu	.....	D13/103
D411,165 S	*	6/1999	Deslyper et al.	.....	D13/103
D412,153 S	*	7/1999	Chen	.....	D13/103
D414,159 S	*	9/1999	Deslyper et al.	.....	D13/103
D419,131 S	*	1/2000	Andrews et al.	.....	D13/103
6,380,713 B2	*	4/2002	Namura	.....	429/100 X

**FOREIGN PATENT DOCUMENTS**

GB 2076988 \* 2/1998 ..... 13/2.04

GB 3000870 \* 1/2002 ..... 13/2.05  
WO DM/058652 \* 1/2002 ..... 13/2

\* cited by examiner

*Primary Examiner*—Joel Sincavage

(74) *Attorney, Agent, or Firm*—Rader, Fishman & Grauer PLLC

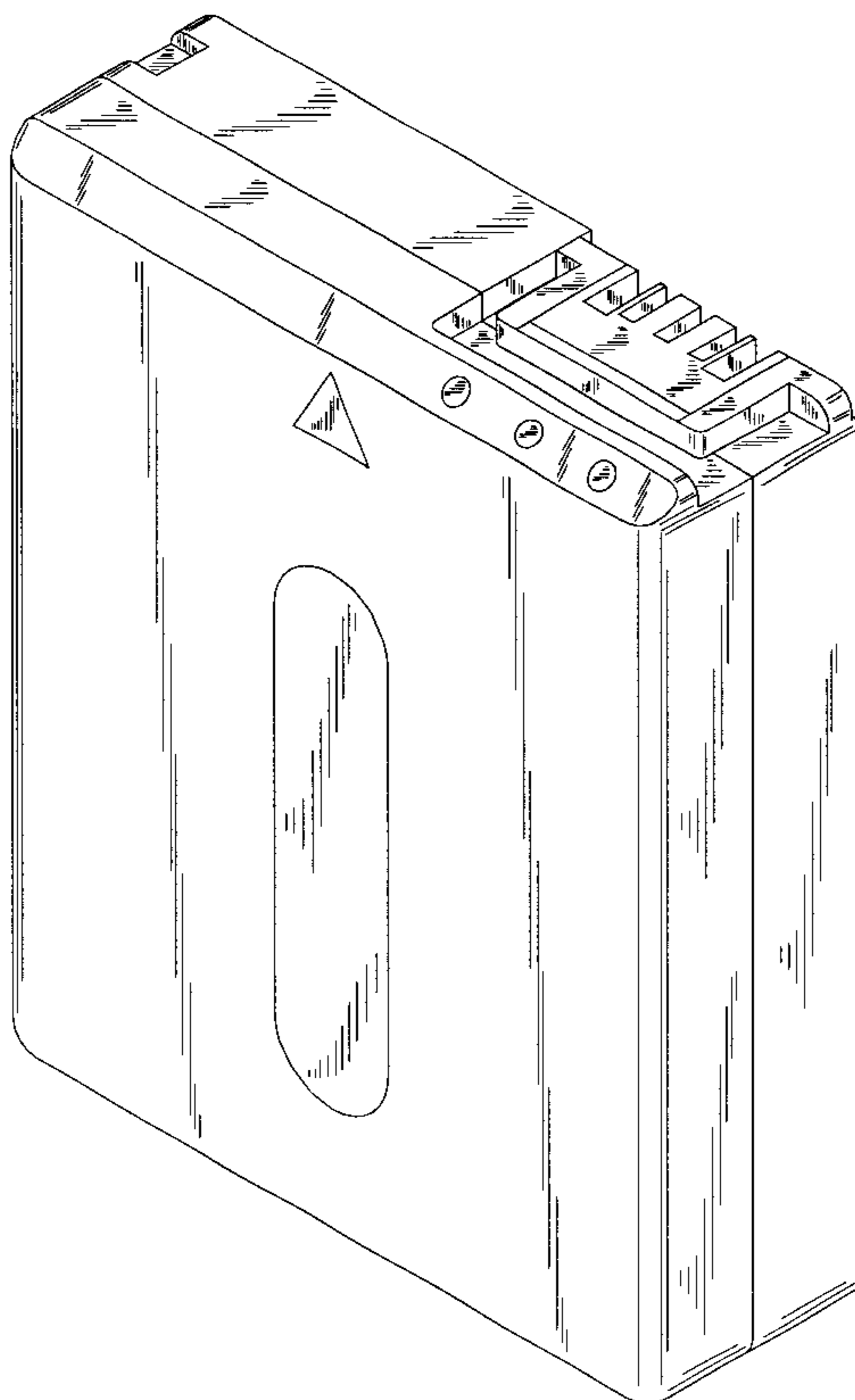
(57) **CLAIM**

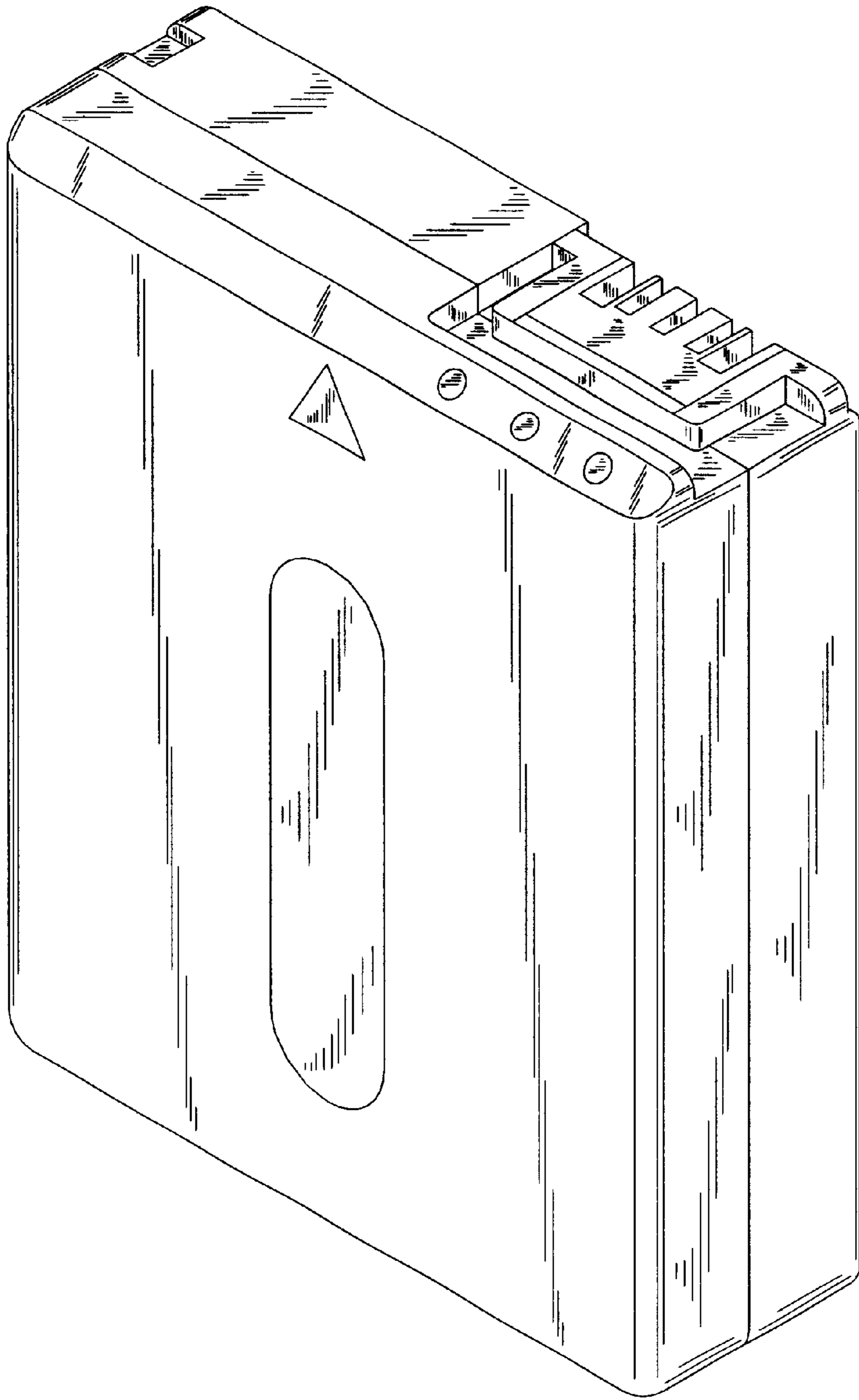
The ornamental Design for a battery, as shown.

**DESCRIPTION**

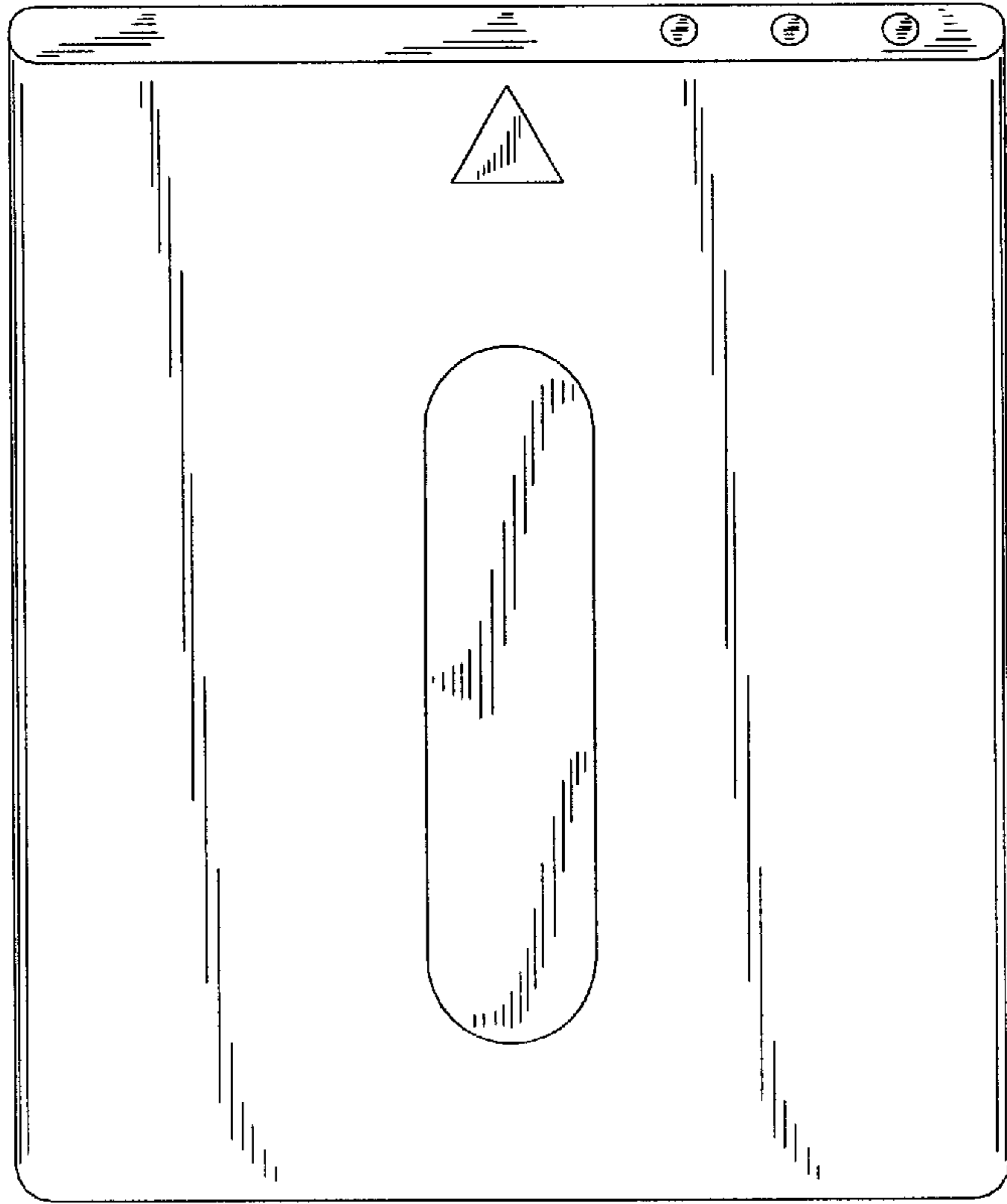
FIG. 1 is a perspective view of a battery showing my new design;  
FIG. 2 is a front elevational view thereof;  
FIG. 3 is a rear elevational view thereof;  
FIG. 4 is a left side elevational view thereof;  
FIG. 5 is a right side elevational view thereof;  
FIG. 6 is a top plan view thereof; and  
FIG. 7 is a bottom plan view thereof.  
FIG. 8 is a perspective view of a second embodiment of a battery showing my new design;  
FIG. 9 is a front elevational view thereof;  
FIG. 10 is a rear elevational view thereof;  
FIG. 11 is a left side elevational view thereof;  
FIG. 12 is a right side elevational view thereof;  
FIG. 13 is a top plan view thereof; and,  
FIG. 14 is a bottom plan view thereof.

**1 Claim, 8 Drawing Sheets**

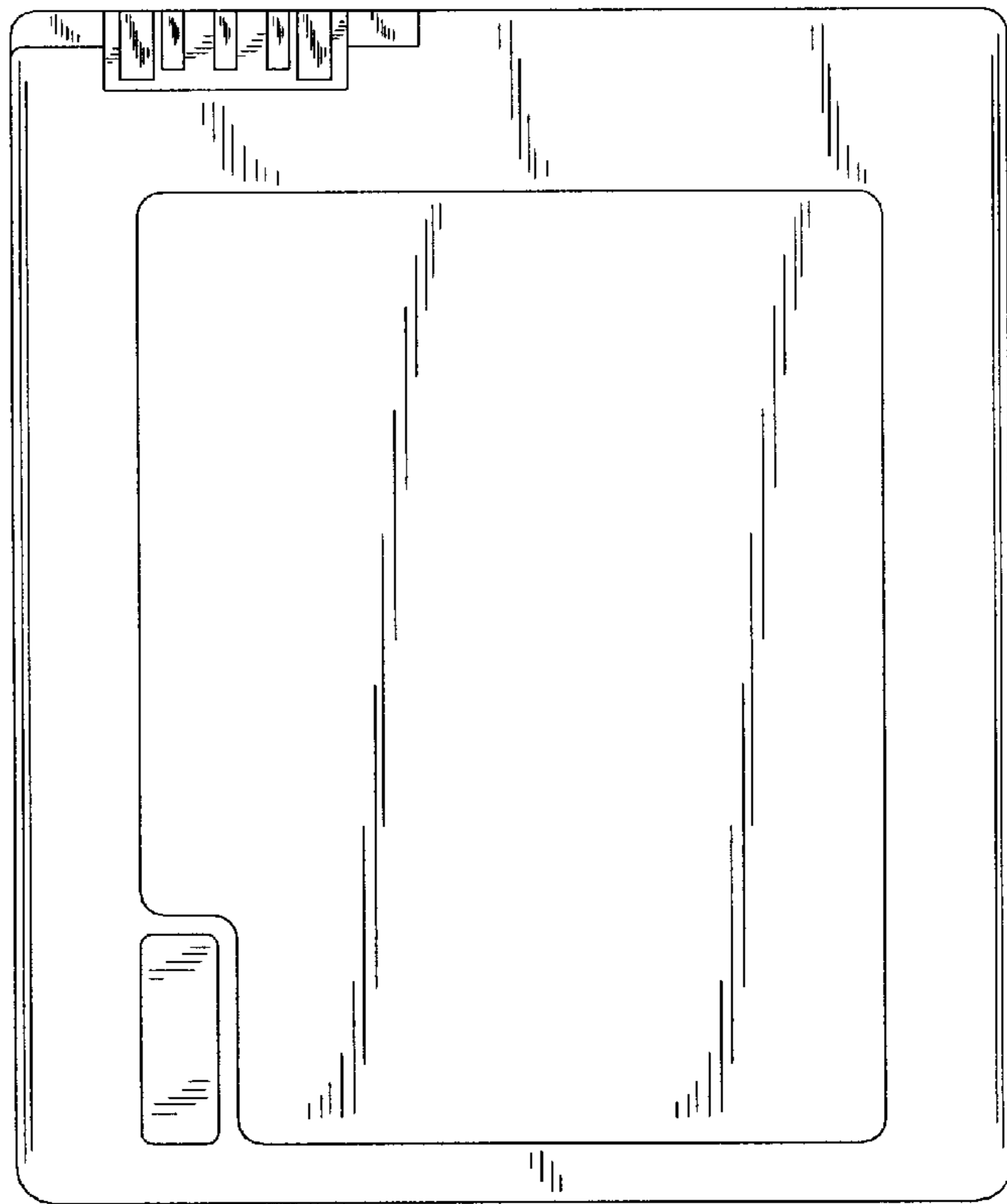




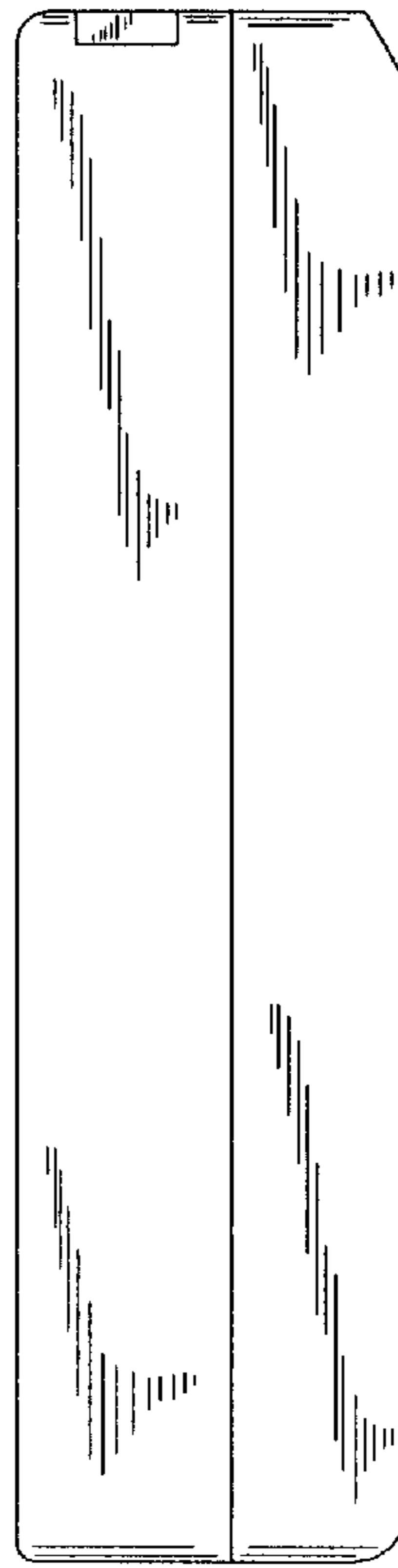
**Fig. 1**



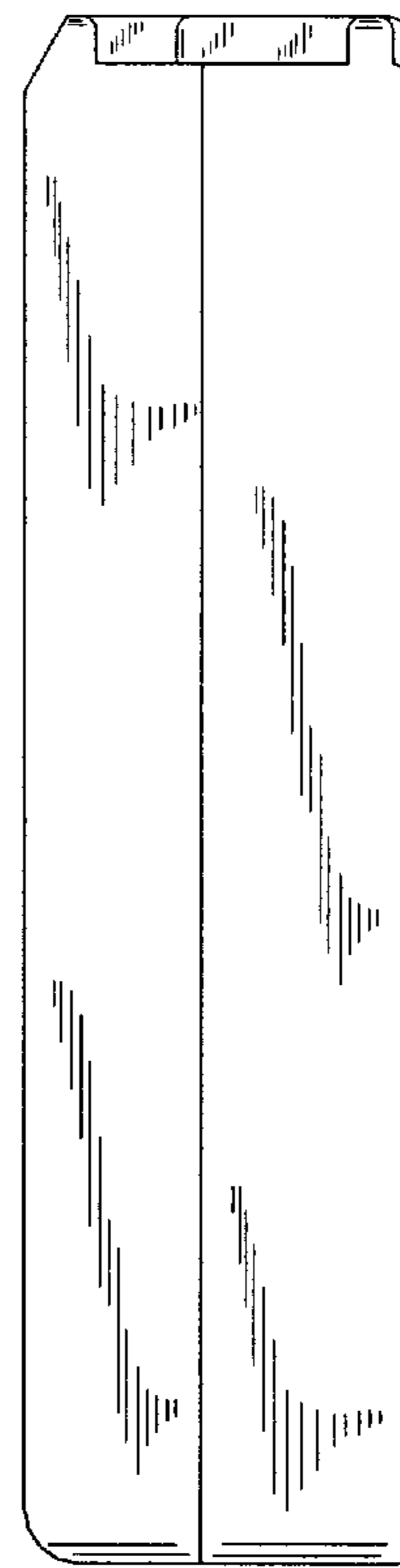
**Fig. 2**



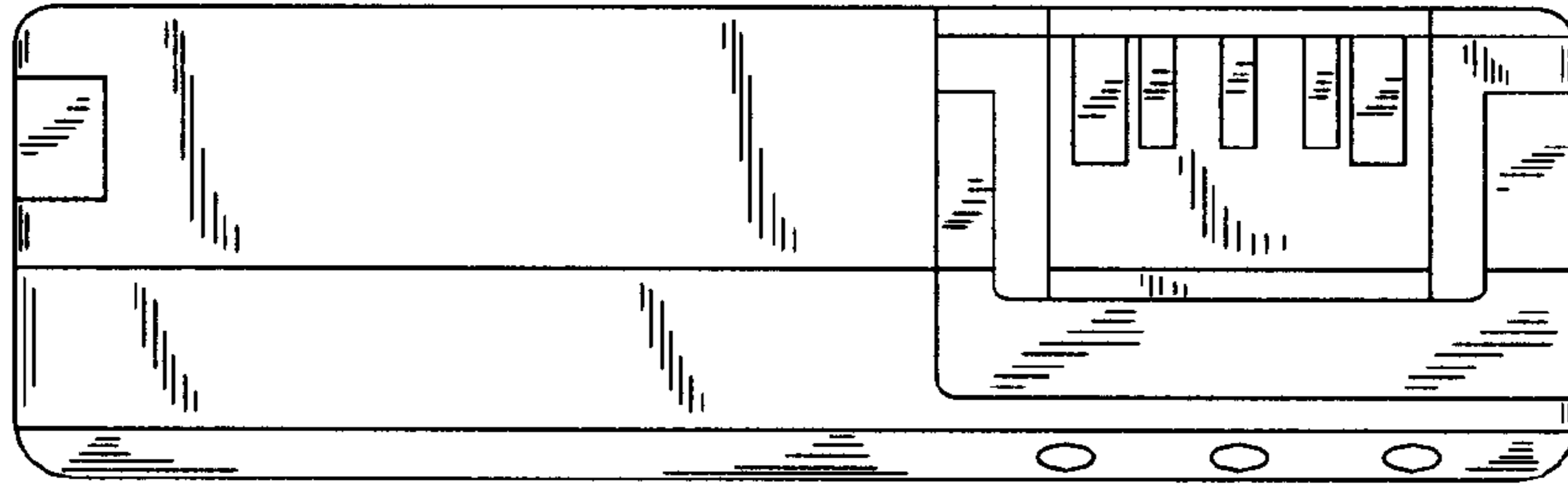
**Fig. 3**



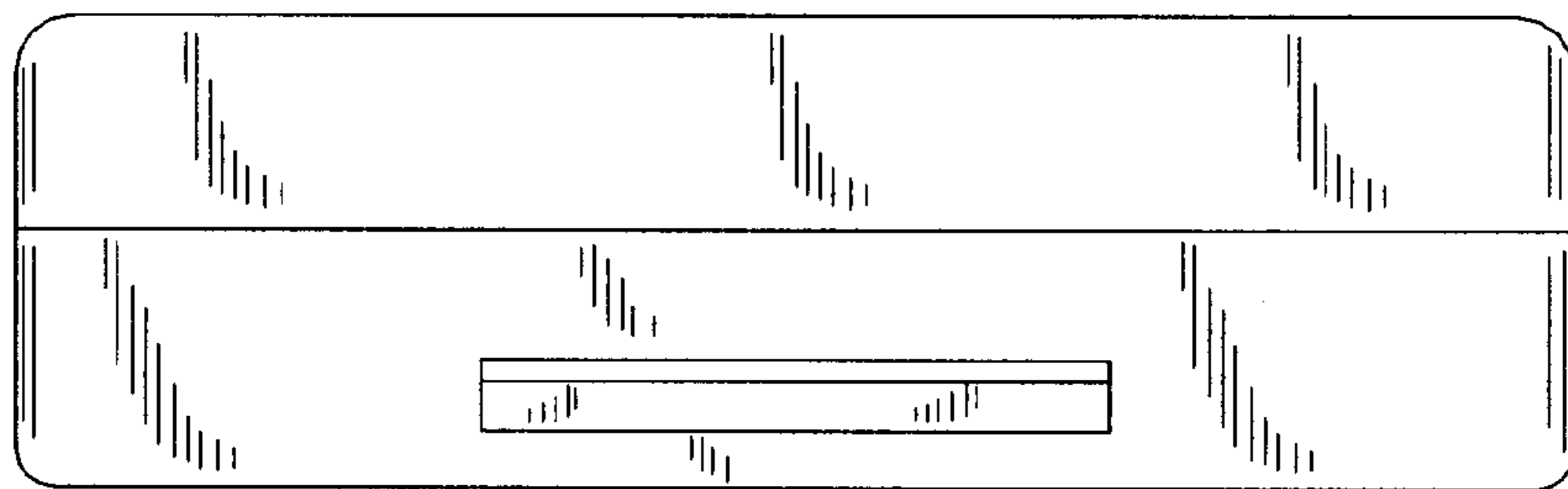
**Fig. 4**



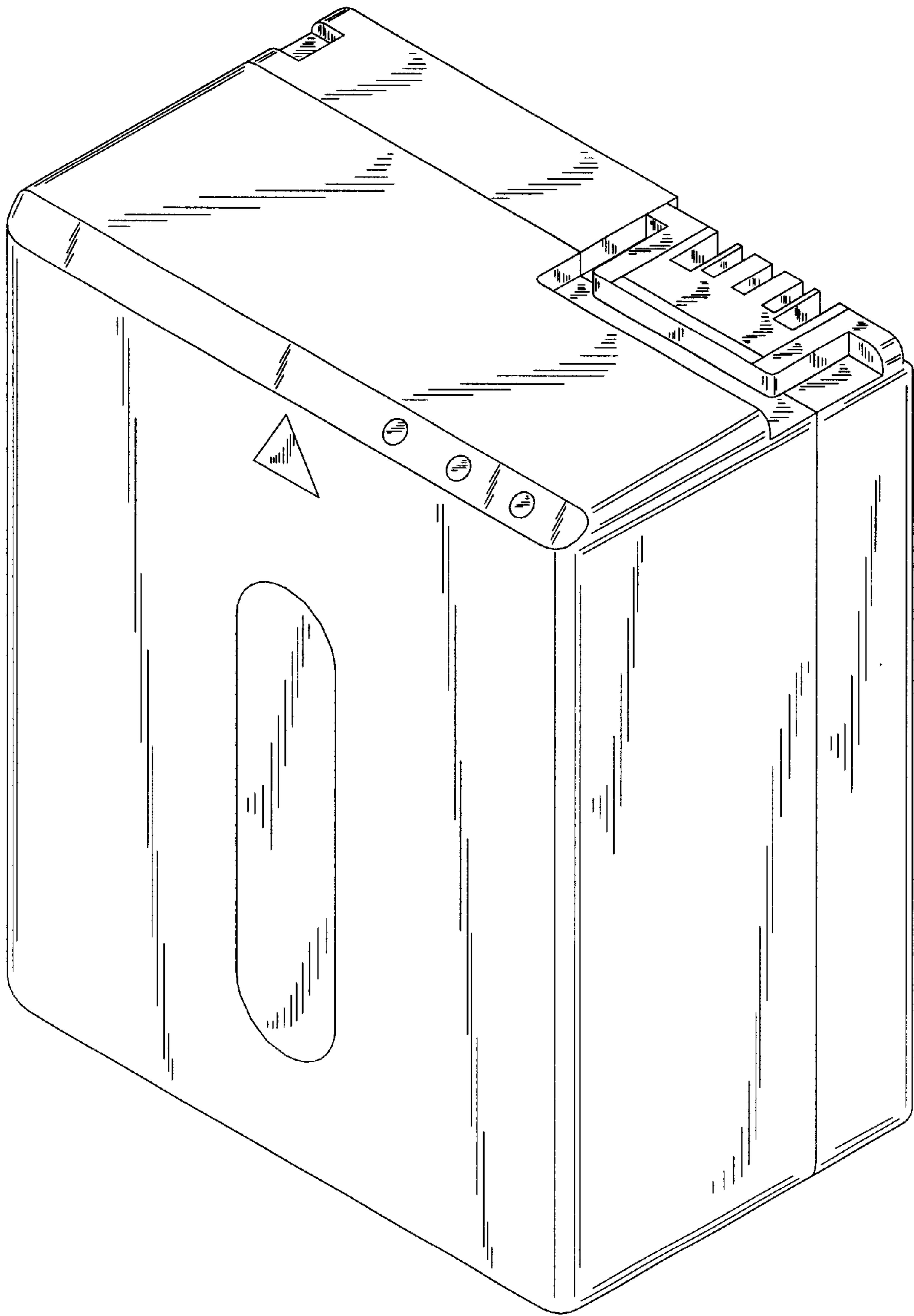
**Fig. 5**



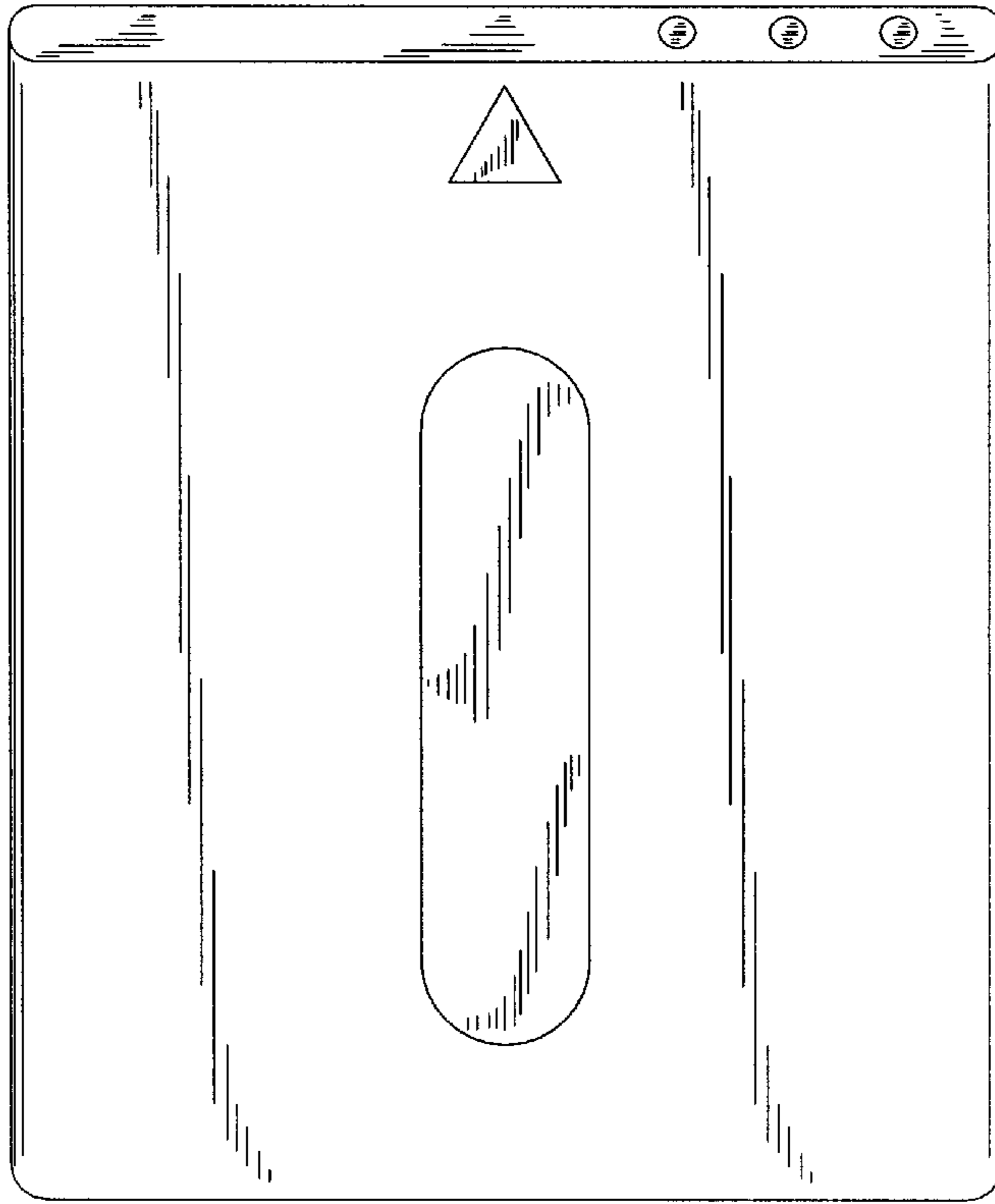
**Fig. 6**



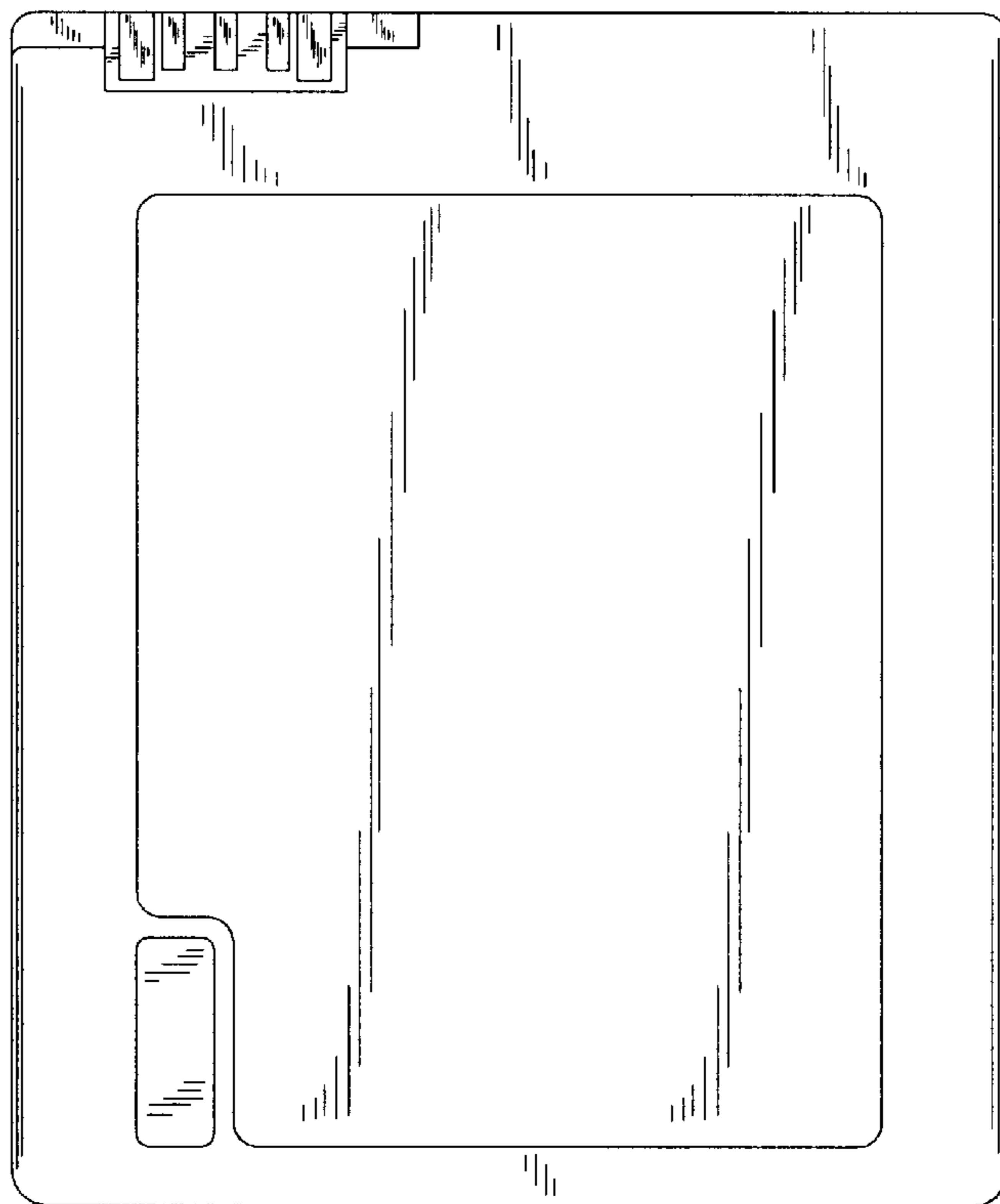
**Fig. 7**



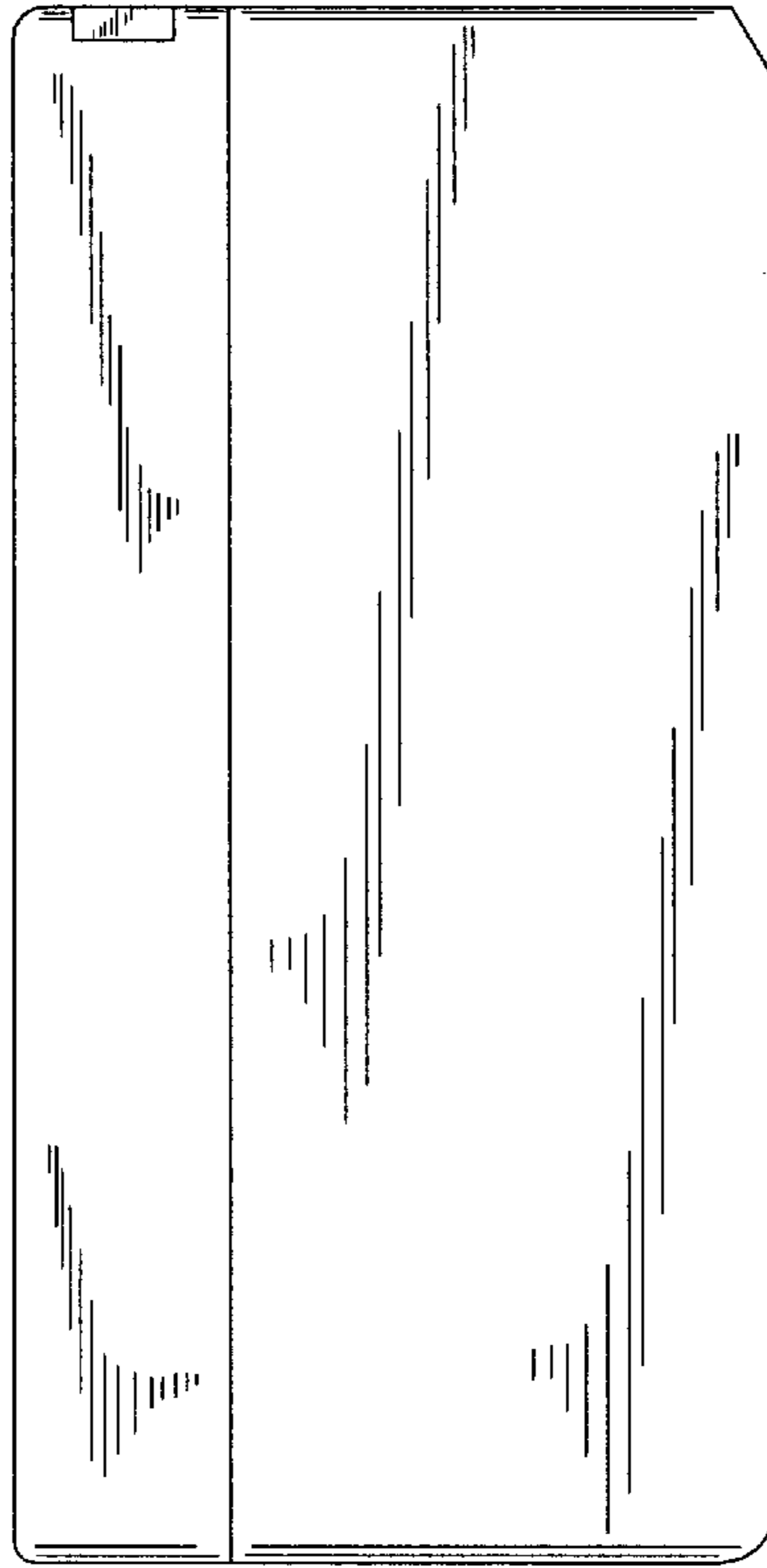
**Fig. 8**



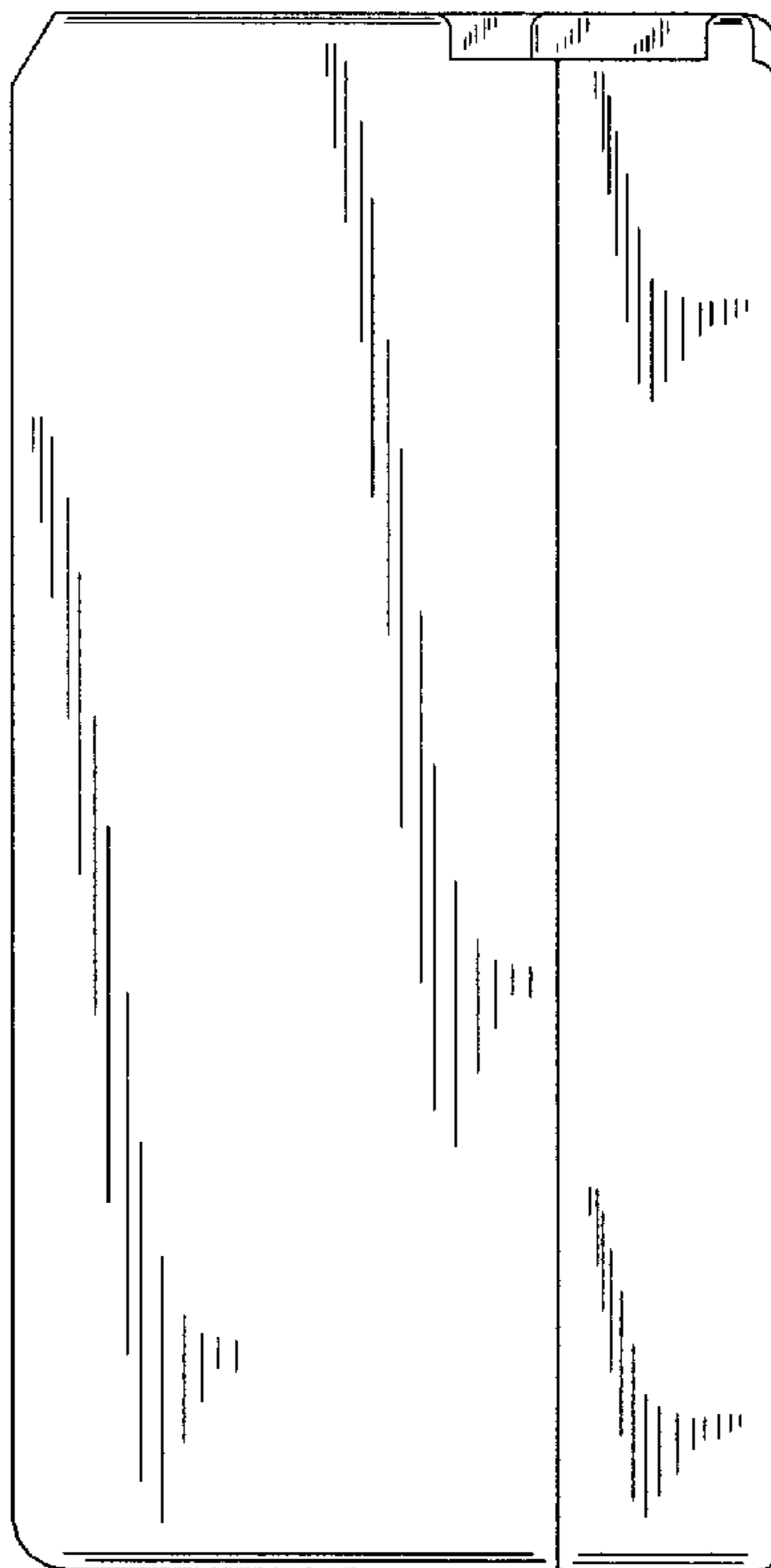
**Fig. 9**



**Fig. 10**

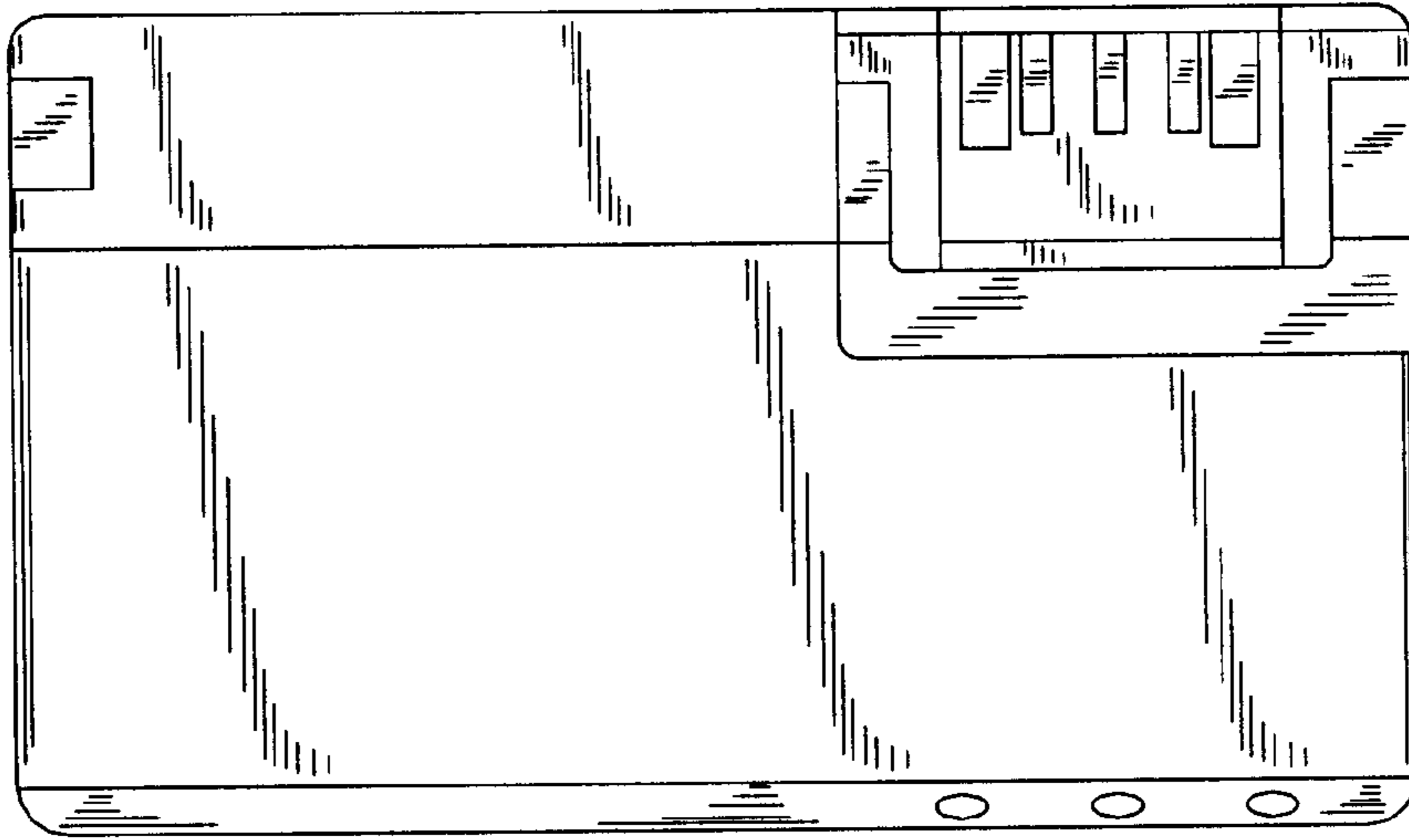


**Fig. 11**

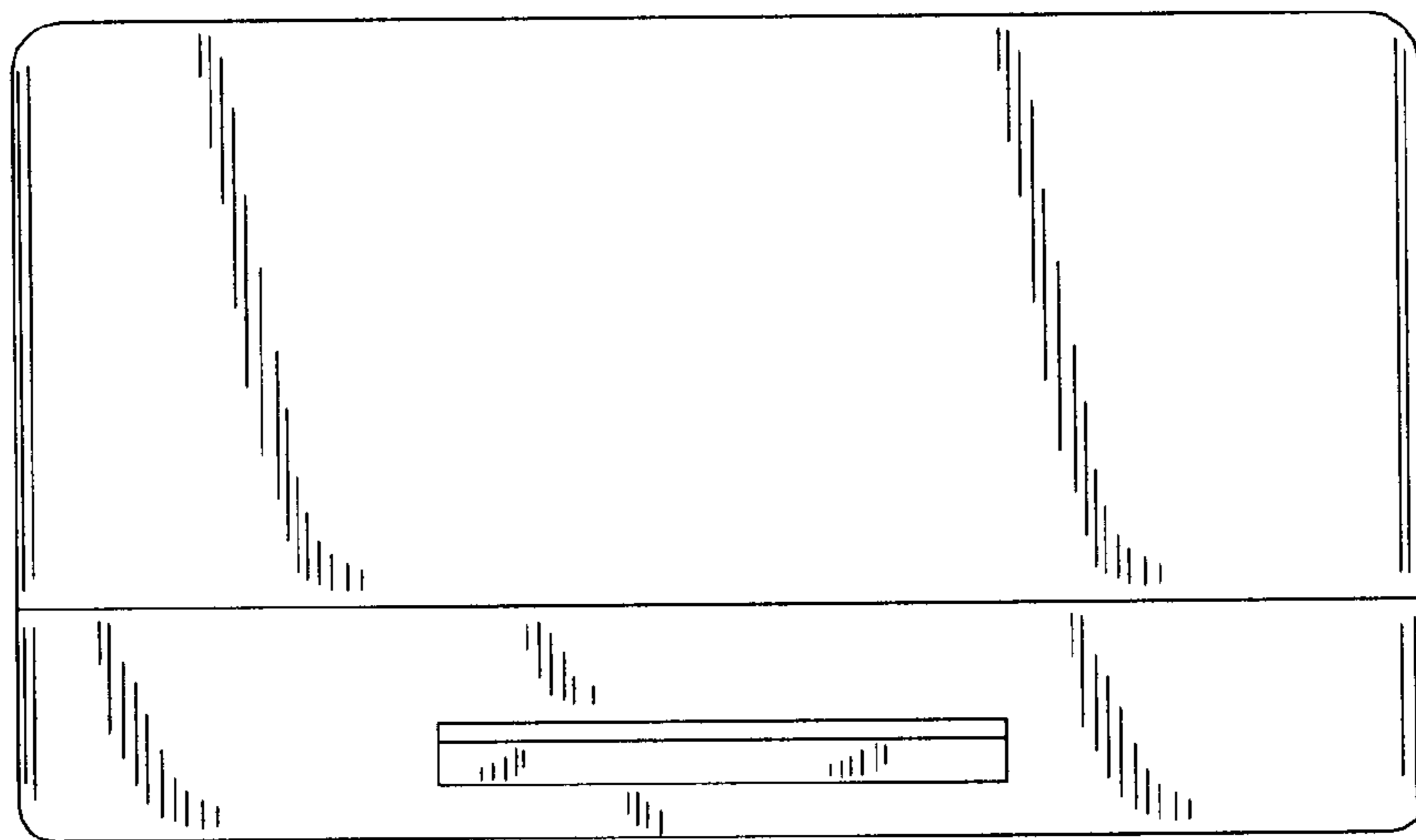


**Fig. 12**





**Fig. 13**



**Fig. 14**