



US00D480679S

(12) **United States Design Patent**  
**Lee**

(10) **Patent No.:** **US D480,679 S**

(45) **Date of Patent:** **\*\* Oct. 14, 2003**

(54) **WINDSHIELD WIPER FRAME CONNECTOR**

(75) Inventor: **Albert Lee**, Baltimore, MD (US)

(73) Assignee: **Alberee Products, Inc.**, Baltimore, MD (US)

(\*\*) Term: **14 Years**

(21) Appl. No.: **29/173,127**

(22) Filed: **Dec. 24, 2002**

(51) **LOC (7) Cl.** ..... **12-06**

(52) **U.S. Cl.** ..... **D12/220**

(58) **Field of Search** ..... D12/219, 220;  
150/250.001, 250.05, 250.07, 250.3, 250.33,  
250.351, 250.361, 250.38–250.44, 250.46

(56) **References Cited**

**U.S. PATENT DOCUMENTS**

- D357,891 S \* 5/1995 Lee ..... D12/220
- D402,254 S \* 12/1998 Lee ..... D12/220
- D404,354 S \* 1/1999 Witek et al. .... D12/220

- D411,503 S \* 6/1999 Lee ..... D12/220
- D418,474 S \* 1/2000 Witek et al. .... D12/220
- D444,760 S \* 7/2001 Houssat et al. .... D12/220

\* cited by examiner

*Primary Examiner*—Stacia Cadmus

(74) *Attorney, Agent, or Firm*—Birch, Stewart, Kolasch & Birch, LLP

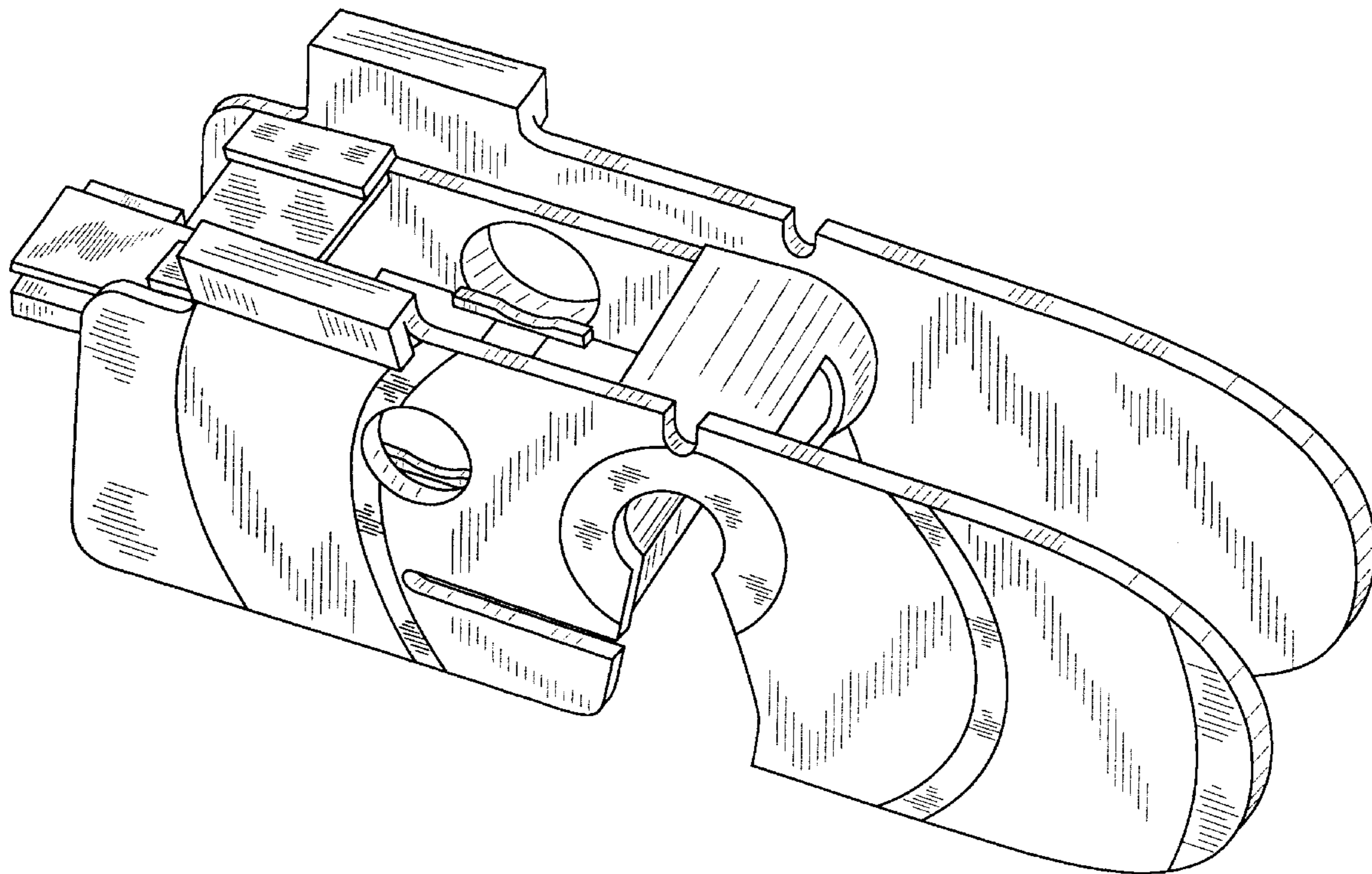
(57) **CLAIM**

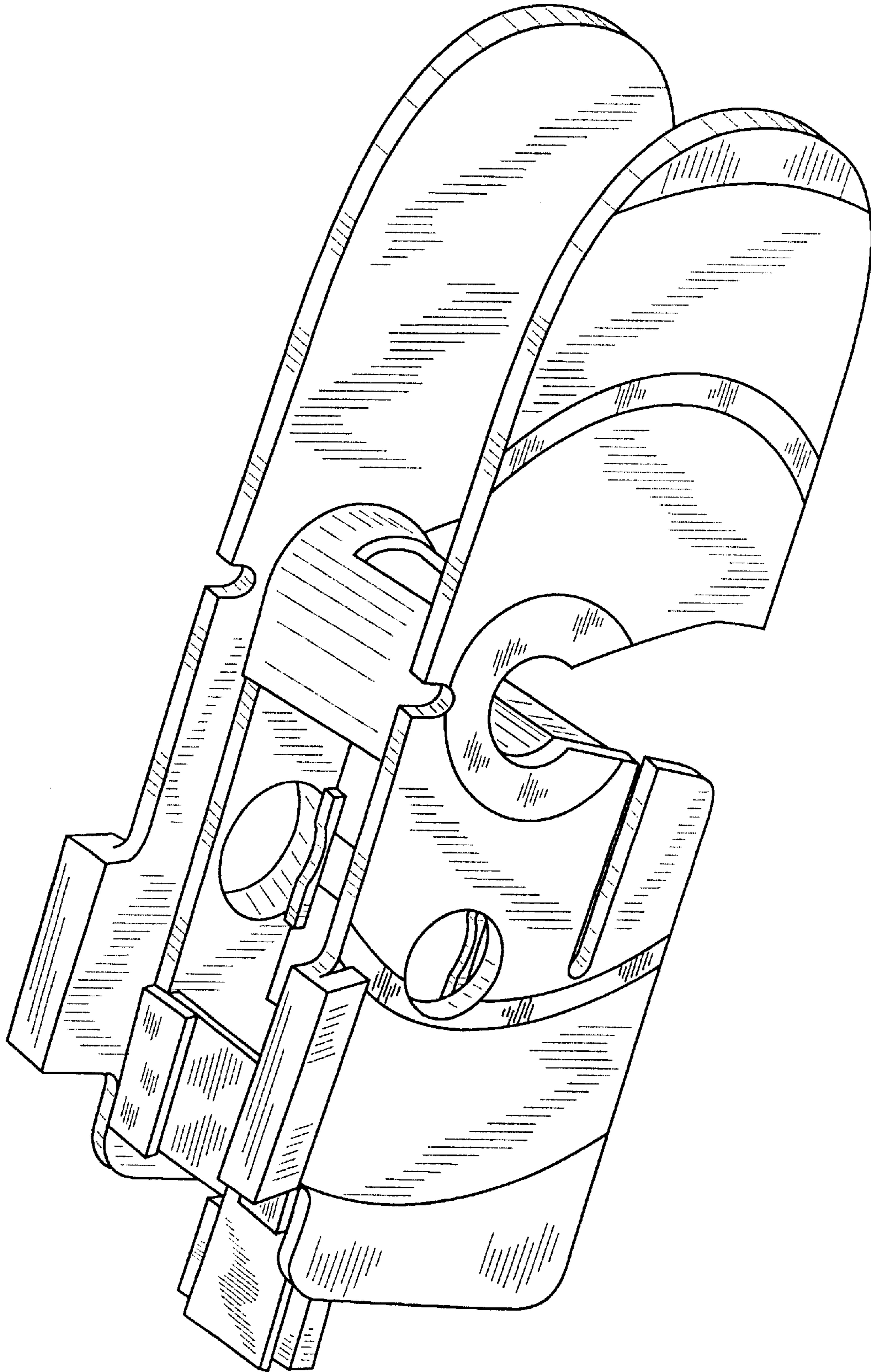
The ornamental design for a windshield wiper frame connector, as shown and described.

**DESCRIPTION**

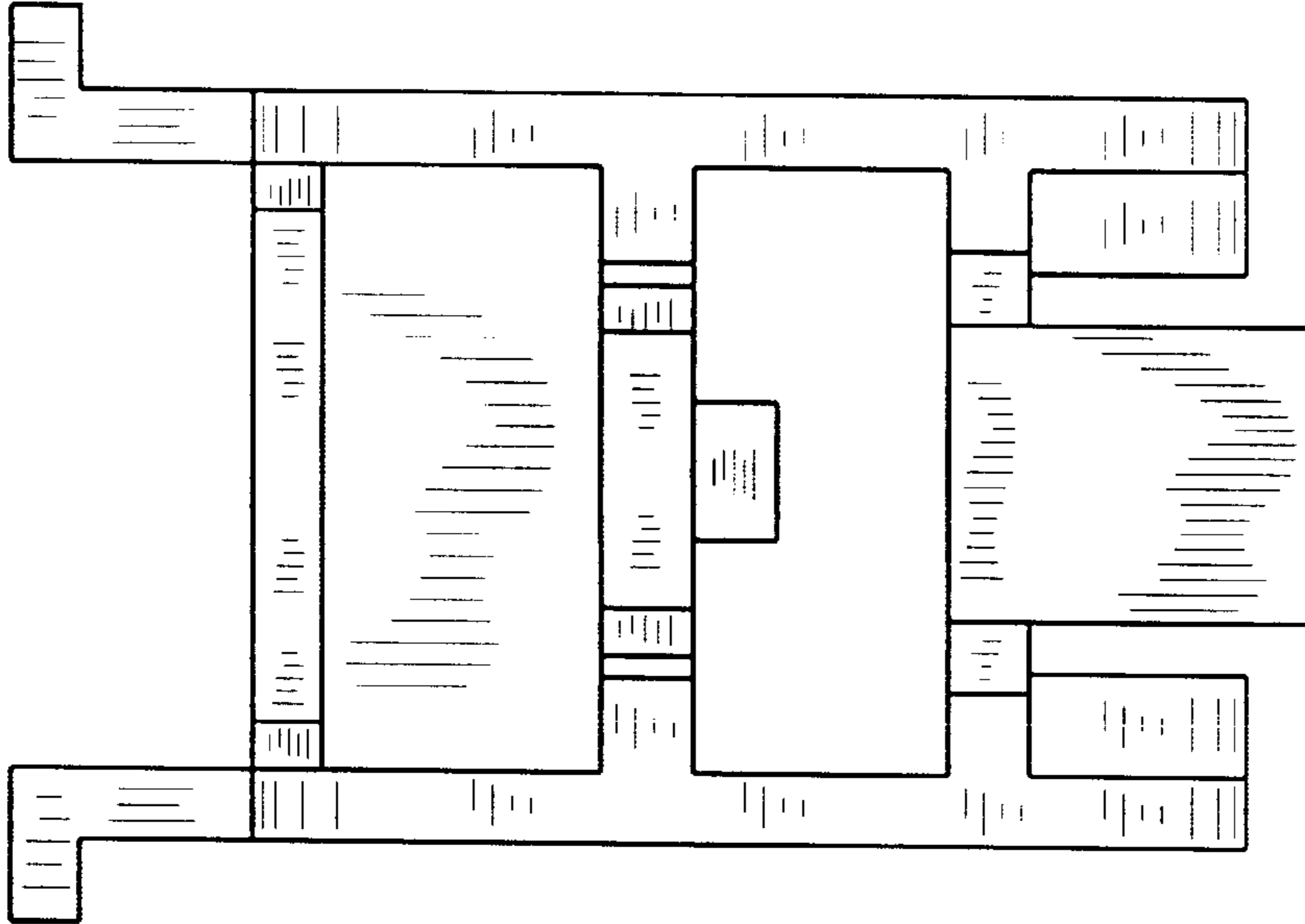
FIG. 1 is a front perspective view of a windshield wiper frame connector showing my new design; FIG. 2 is a right side view thereof; FIG. 3 is a left side view thereof; FIG. 4 is a front elevational view thereof, the rear being a mirror image thereof; FIG. 5 is a top plan view thereof; and, FIG. 6 is a bottom plan view thereof.

**1 Claim, 5 Drawing Sheets**

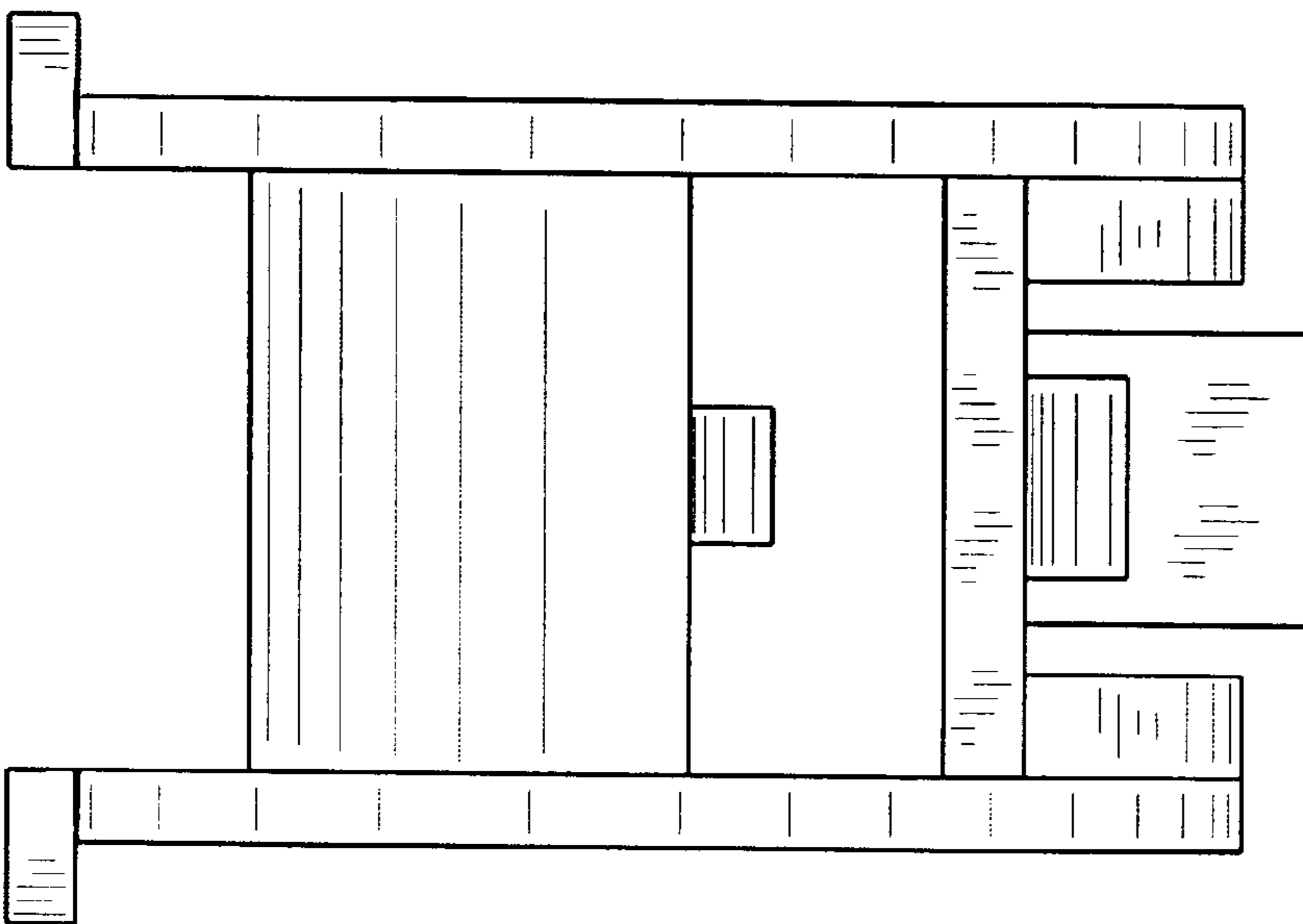




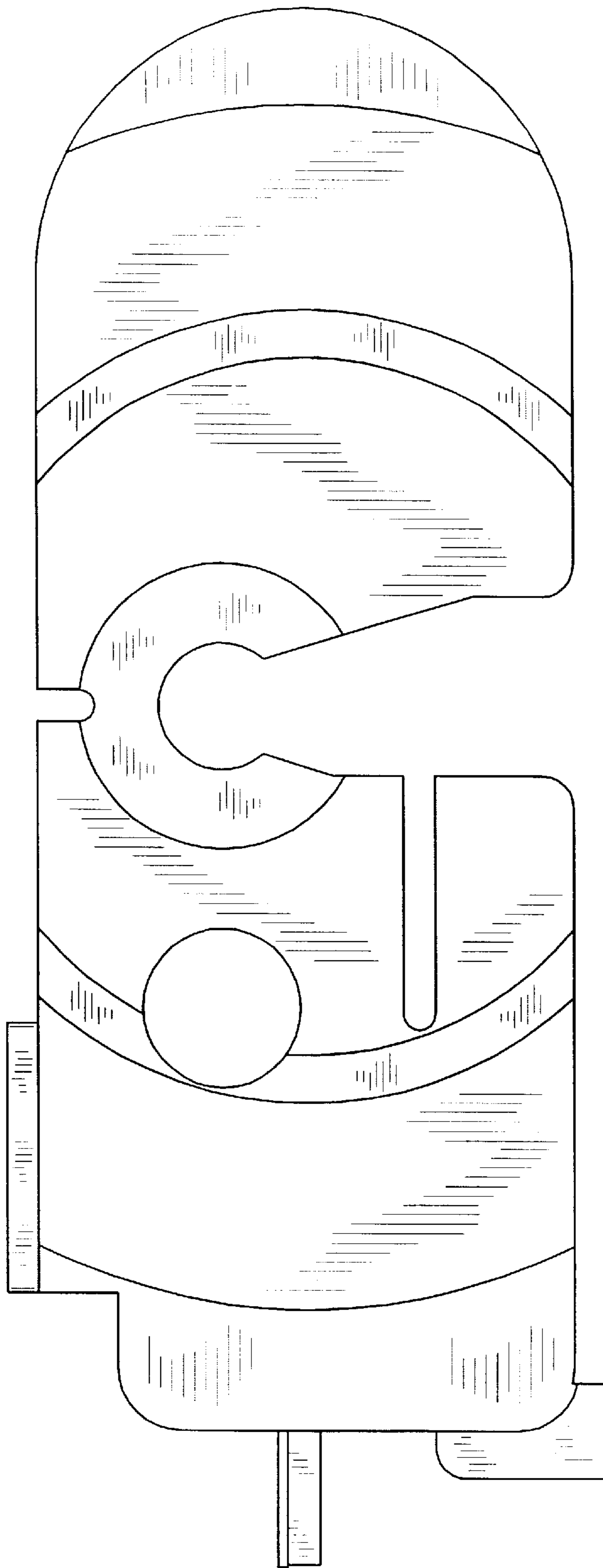
**FIG. 1**



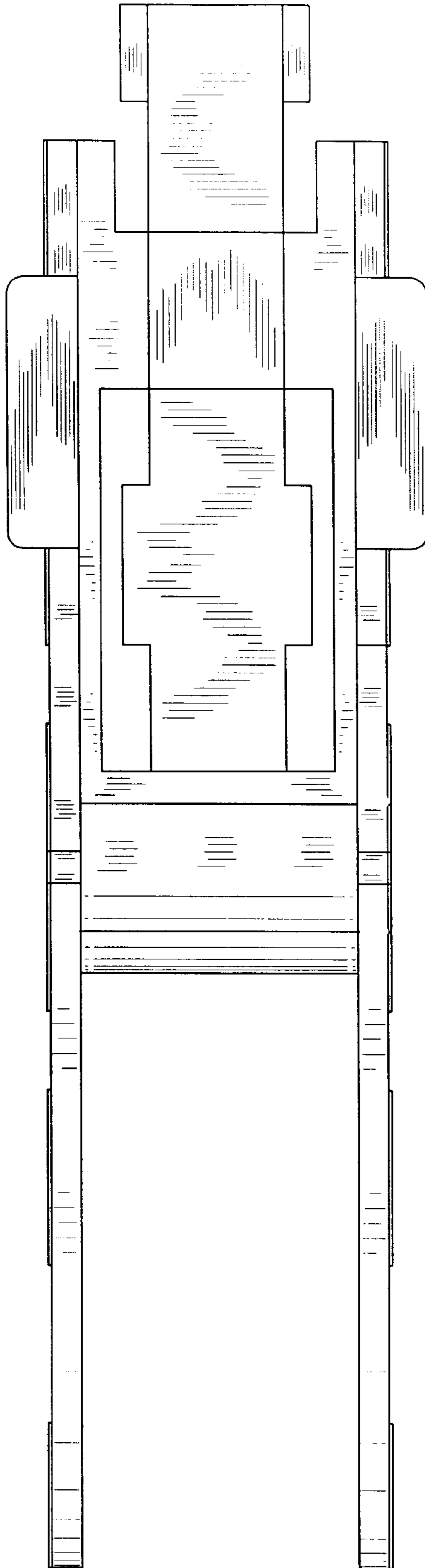
**FIG. 2**



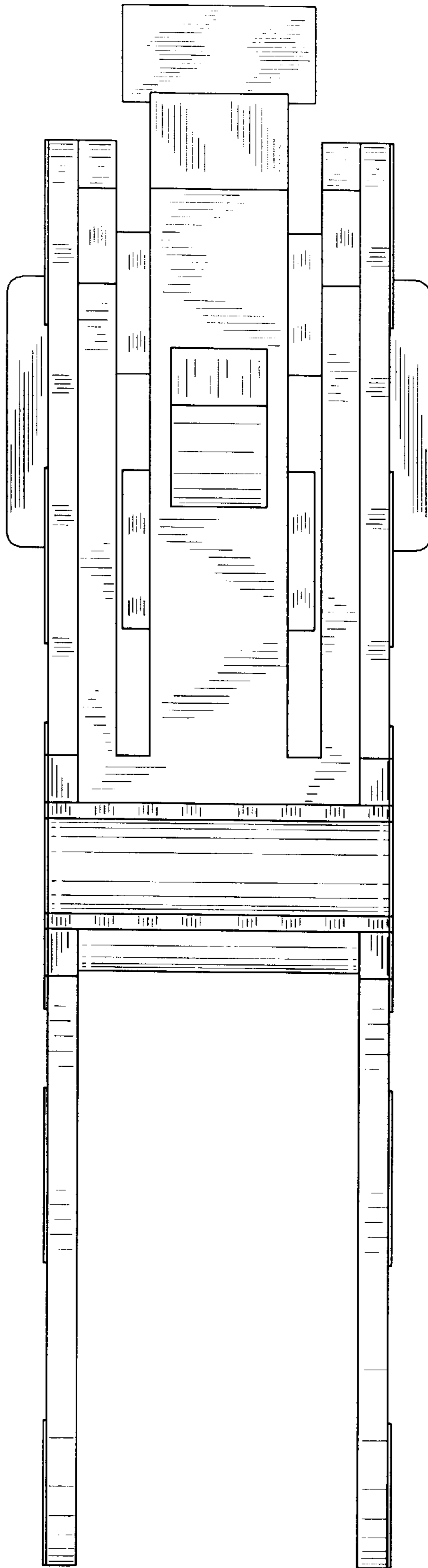
**FIG. 3**



**FIG. 4**



**FIG. 5**



**FIG. 6**