



US00D480678S

(12) **United States Design Patent**  
**Craig**

(10) **Patent No.:** **US D480,678 S**

(45) **Date of Patent:** **\*\* Oct. 14, 2003**

(54) **DUAL RING SET FOR KNOCK-OFF WIRE WHEELS**

*Primary Examiner*—Stacia Cadmus  
(74) *Attorney, Agent, or Firm*—Thomas Schneck

(76) **Inventor:** **James T. Craig**, 155 Kennedy Ave.,  
Campbell, CA (US) 95008

(57) **CLAIM**

(\*\*) **Term:** **14 Years**

I claim the ornamental design for dual ring set for knock-off wire wheels, as shown and described.

(21) **Appl. No.:** **29/143,514**

**DESCRIPTION**

(22) **Filed:** **Jun. 14, 2001**

(51) **LOC (7) Cl.** ..... **12-16**

(52) **U.S. Cl.** ..... **D12/213**

(58) **Field of Search** ..... D12/213, 400;  
301/37.101, 64.101, 65, 37.24, 5.1, 5.21,  
11.3, 63.106; 29/159.1; D8/399; 411/531;  
264/46.7; 439/551; 429/86; 220/324

FIG. 1 is a perspective view of a dual ring set for knock-off wire wheels illustrating my new design, a knock-off wire wheel comprising a knock-off nut member and a hub shell member joined together being shown in dashed lines, with the dashed line scroll pattern on each ring being illustrative of a typical decorative pattern on the dual rings, the decorative scroll pattern not being claimed.

(56) **References Cited**

**U.S. PATENT DOCUMENTS**

3,517,968 A	6/1970	Tully et al. ....	301/37
3,570,093 A	3/1971	Gollwitzer .....	29/159.1
D256,350 S	8/1980	Main .....	D12/209
4,251,476 A	2/1981	Smith .....	264/46.7
5,209,992 A *	5/1993	Feres .....	429/86
5,385,257 A *	1/1995	Hung .....	220/324
5,413,502 A *	5/1995	Wang .....	439/551
5,441,334 A	8/1995	Botterman et al. ....	301/37.1
5,590,935 A	1/1997	McAllister .....	301/37.1

FIG. 2 is an elevational view of the dual ring set illustrated in FIG. 1, with the dual rings having the same appearance from all sides.

FIG. 3 is a top view of the dual ring illustrated in FIG. 1, the bottom being plain and unornamented.

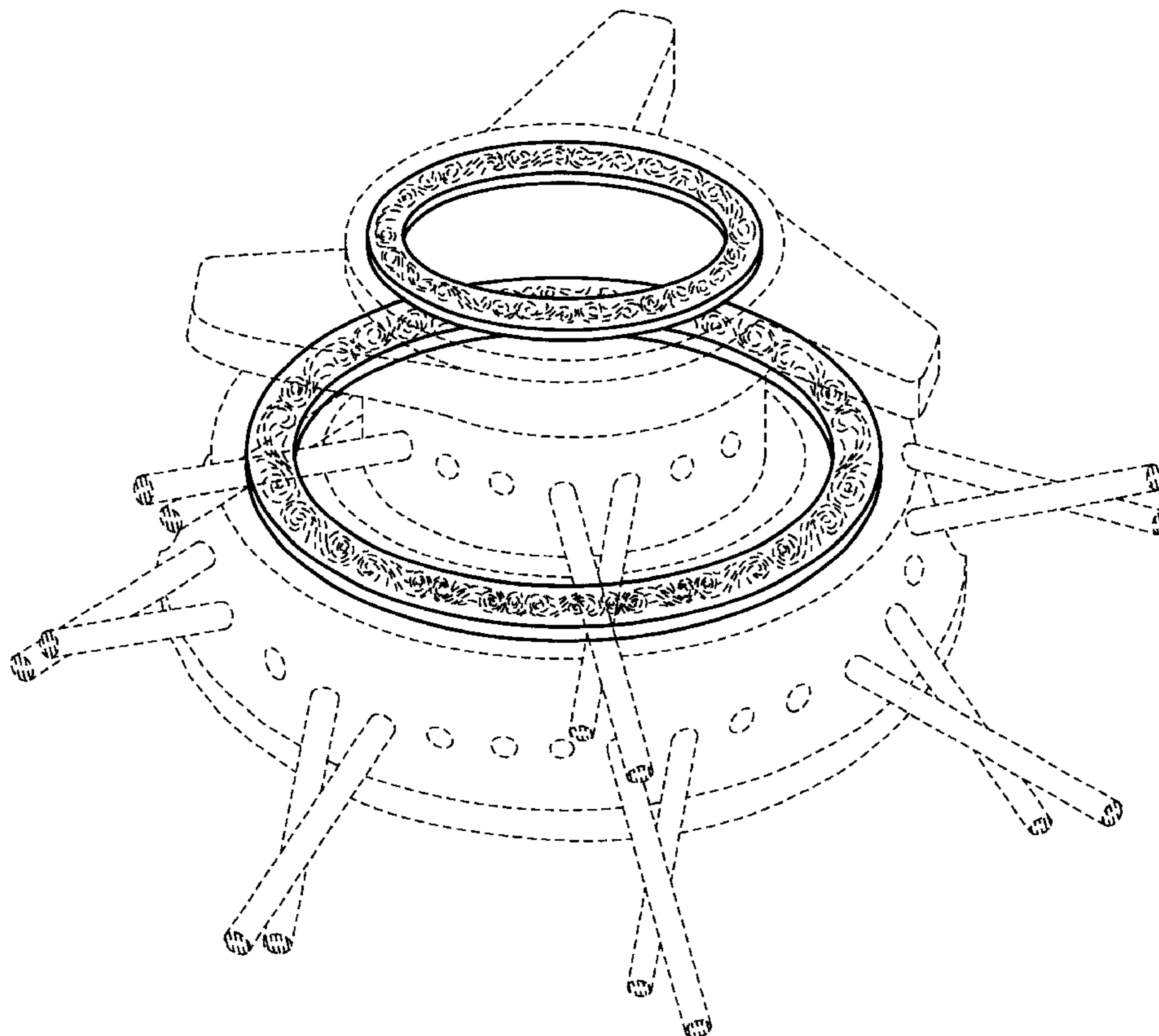
FIG. 4 is a top view of a knock-off nut member of the dual ring set illustrated in FIG. 1; and,

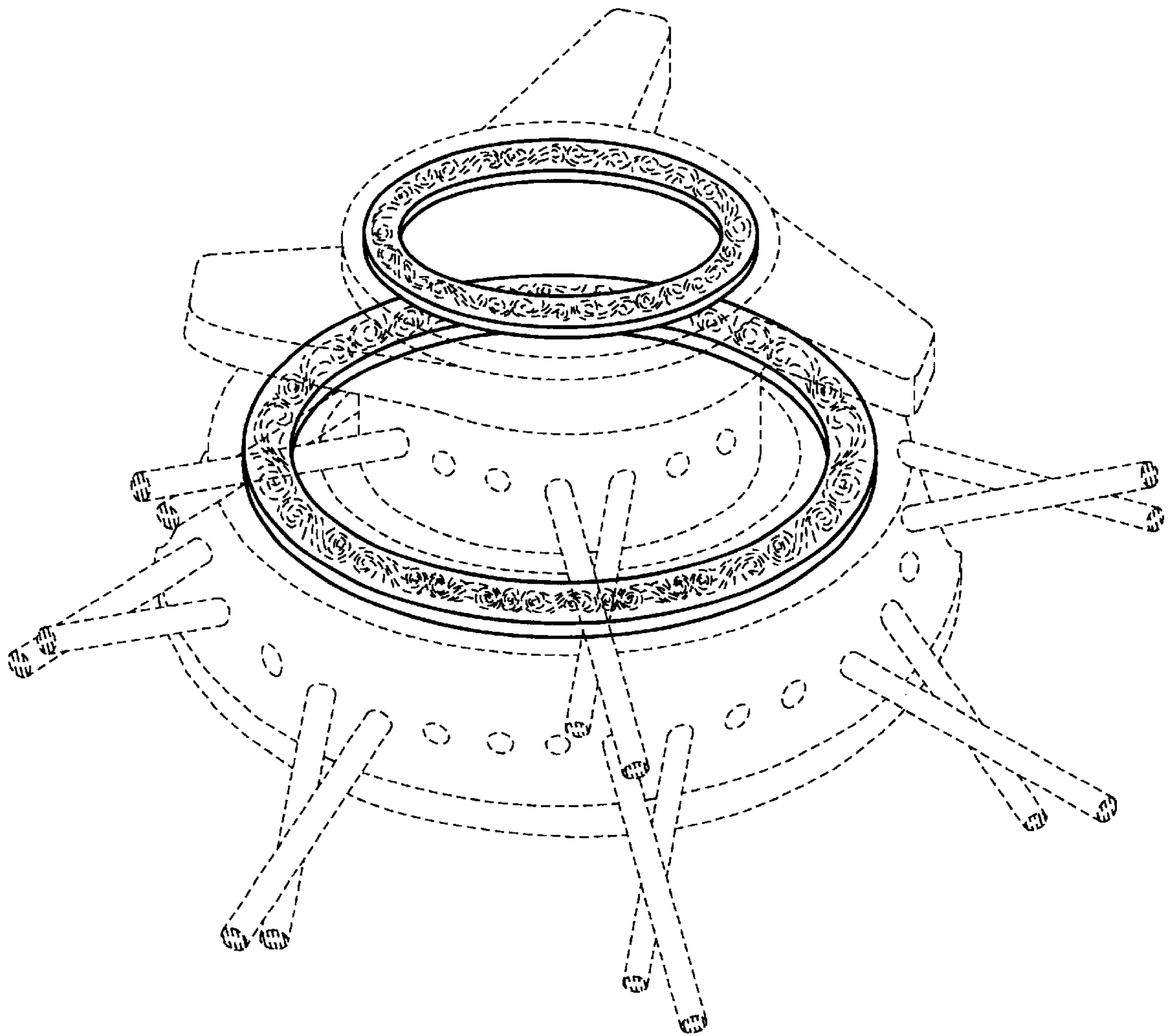
FIG. 5 is a top view of a hub shell member of the dual ring set illustrated in FIG. 1.

The broken line showing of environment is for illustrative purposes only and forms no part of the claimed design.

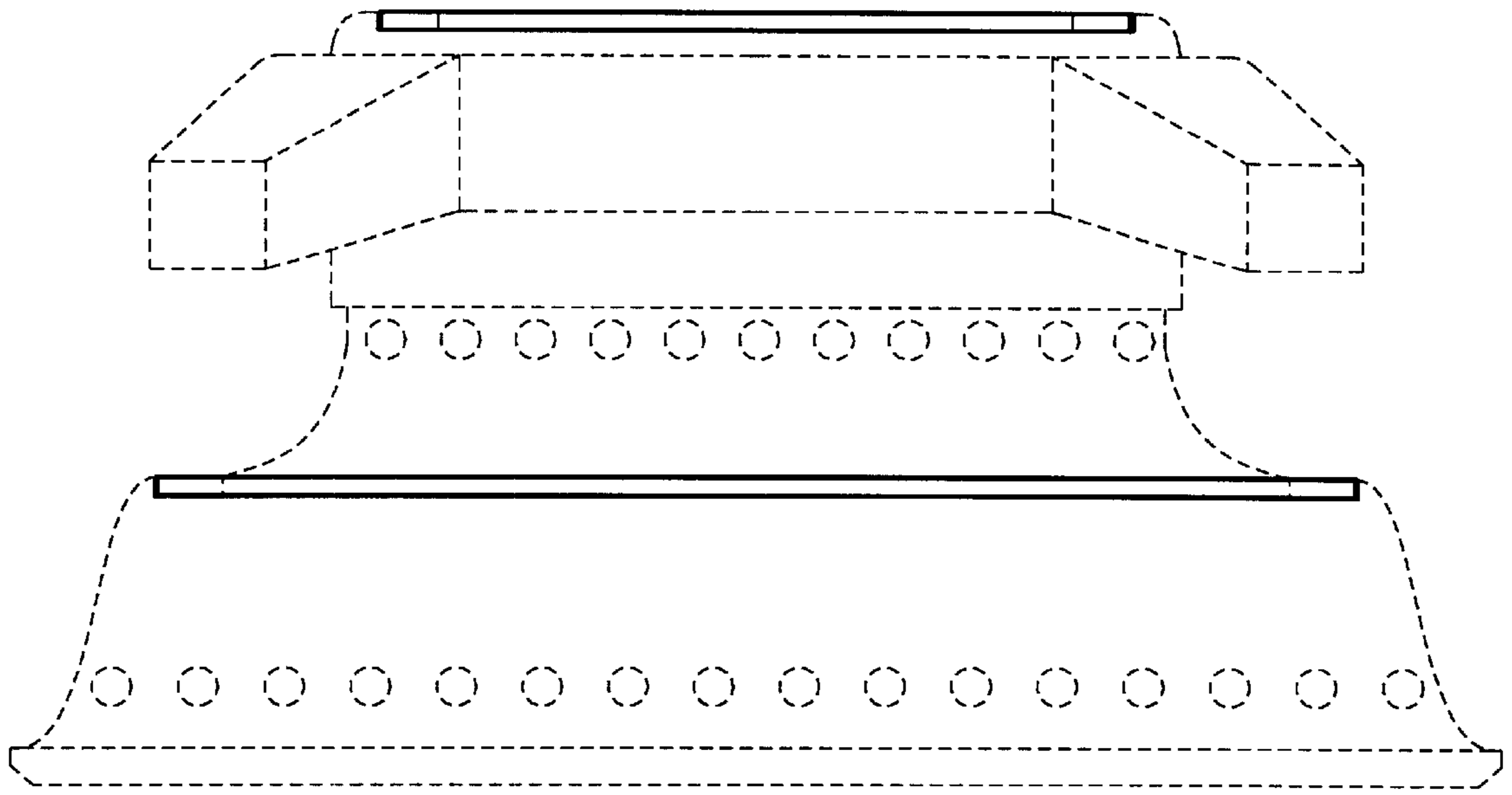
\* cited by examiner

**1 Claim, 3 Drawing Sheets**

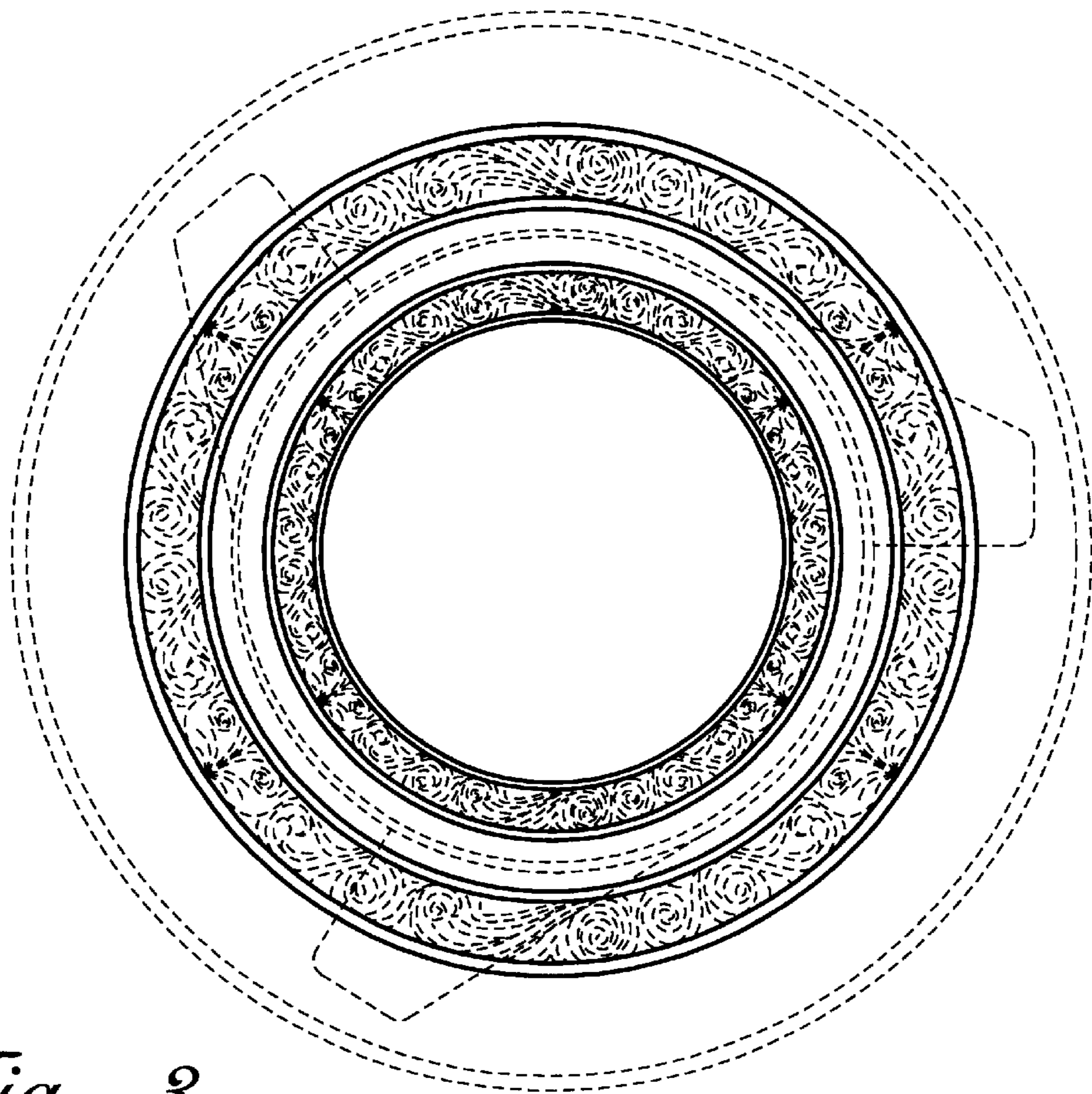




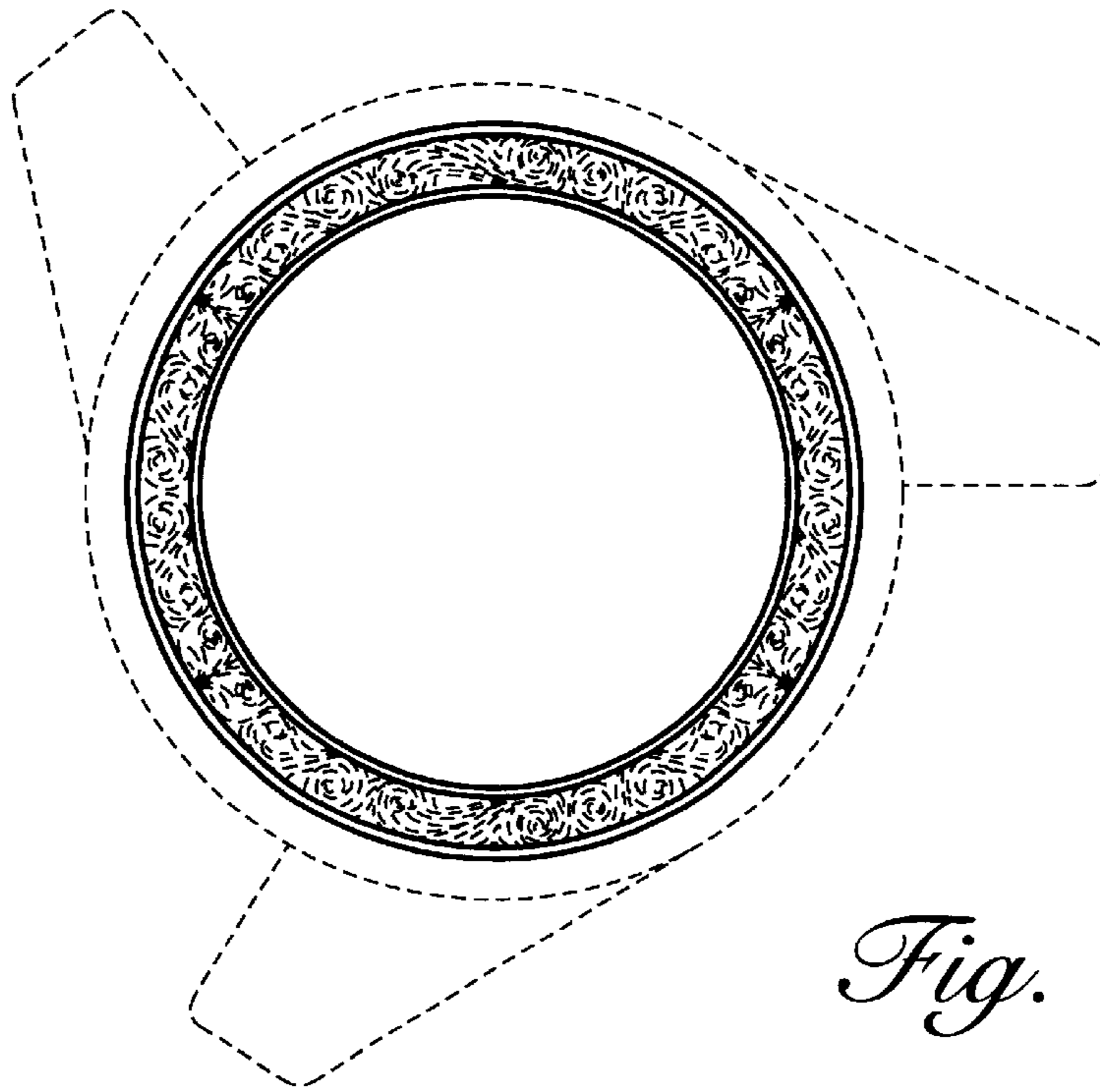
*Fig. 1*



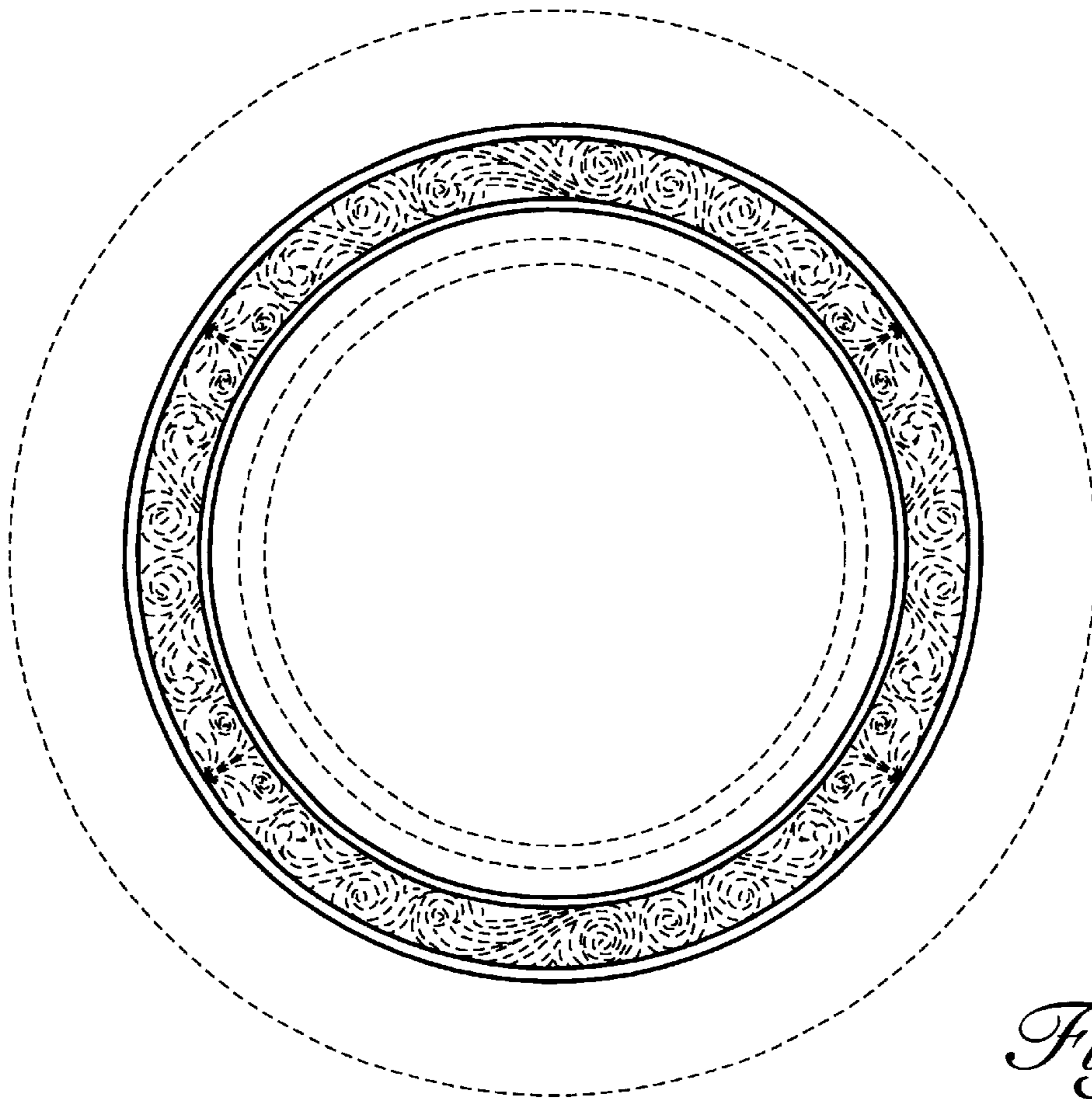
*Fig. 2*



*Fig. 3*



*Fig. 4*



*Fig. 5*