



US00D480677S

(12) **United States Design Patent**  
**Atwell**

(10) **Patent No.:** **US D480,677 S**

(45) **Date of Patent:** **\*\* Oct. 14, 2003**

(54) **VEHICLE WHEEL**

(75) **Inventor:** **Joseph T. Atwell**, Farmington Hills, MI (US)

(73) **Assignee:** **Alcoa Inc.**, Pittsburgh, PA (US)

(\*\*) **Term:** **14 Years**

(21) **Appl. No.:** **29/172,640**

(22) **Filed:** **Dec. 16, 2002**

(51) **LOC (7) Cl.** ..... **12-16**

(52) **U.S. Cl.** ..... **D12/211**

(58) **Field of Search** ..... **D12/204-211;**  
**301/37.101, 64.101, 65**

(56) **References Cited**

**U.S. PATENT DOCUMENTS**

D84,318 S	*	6/1931	Beutke et al.	.....	D12/211
D401,899 S	*	12/1998	Pfeiffer	.....	D12/209
D417,179 S	*	11/1999	Gall et al.	.....	D12/209
D423,445 S	*	4/2000	Baumgartner	.....	D12/211

D440,534 S \* 4/2001 Ivanova et al. .... D12/211

D445,078 S \* 7/2001 Chung ..... D12/209

D450,289 S \* 11/2001 Chung ..... D12/211

D454,531 S \* 3/2002 Amatino ..... D12/211

D454,825 S \* 3/2002 Amatino ..... D12/211

\* cited by examiner

*Primary Examiner*—Stacia Cadmus

(74) *Attorney, Agent, or Firm*—Gary P. Topolosky

(57) **CLAIM**

The ornamental design for a vehicle wheel, as shown and described.

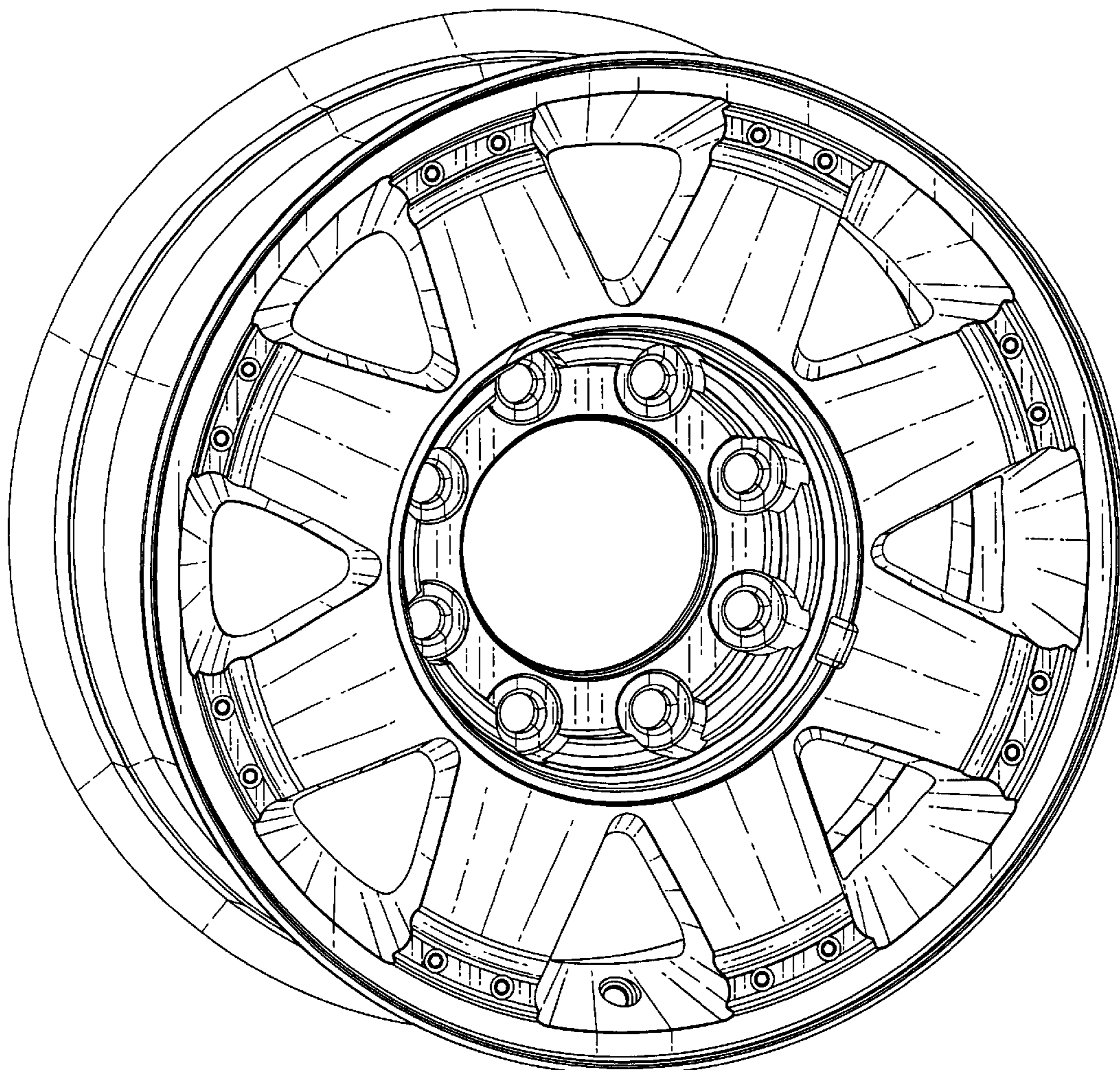
**DESCRIPTION**

FIG. 1 is a full frontal view of a vehicle wheel, showing the new design; and,

FIG. 2 is a perspective view showing the front and a portion of the side to the vehicle wheel of FIG. 1.

The characteristic features of this design reside in the respective hand holes, spokes and lug nut hole configurations on the face of said vehicle wheel exterior.

**1 Claim, 2 Drawing Sheets**



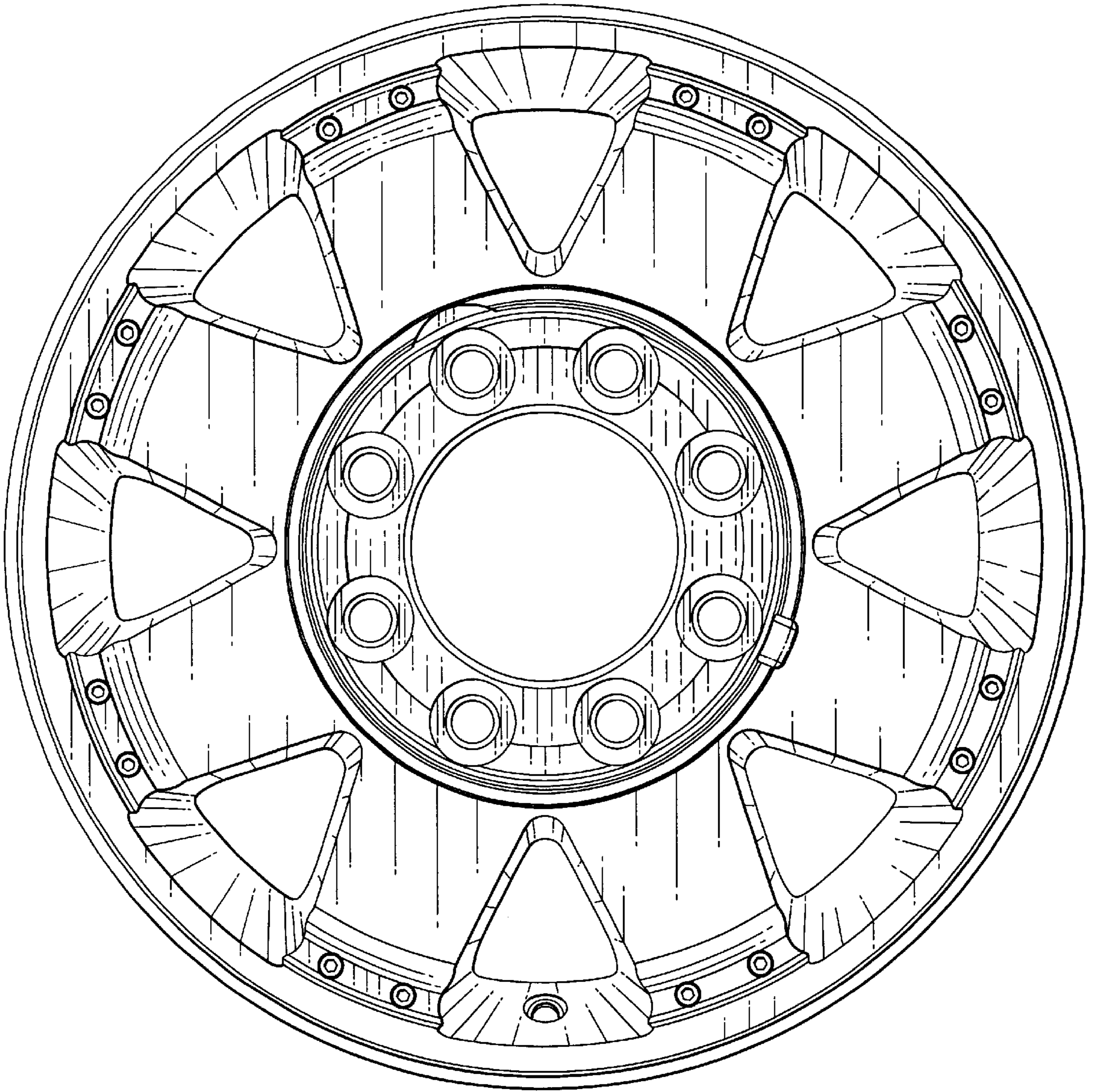


FIG. 1

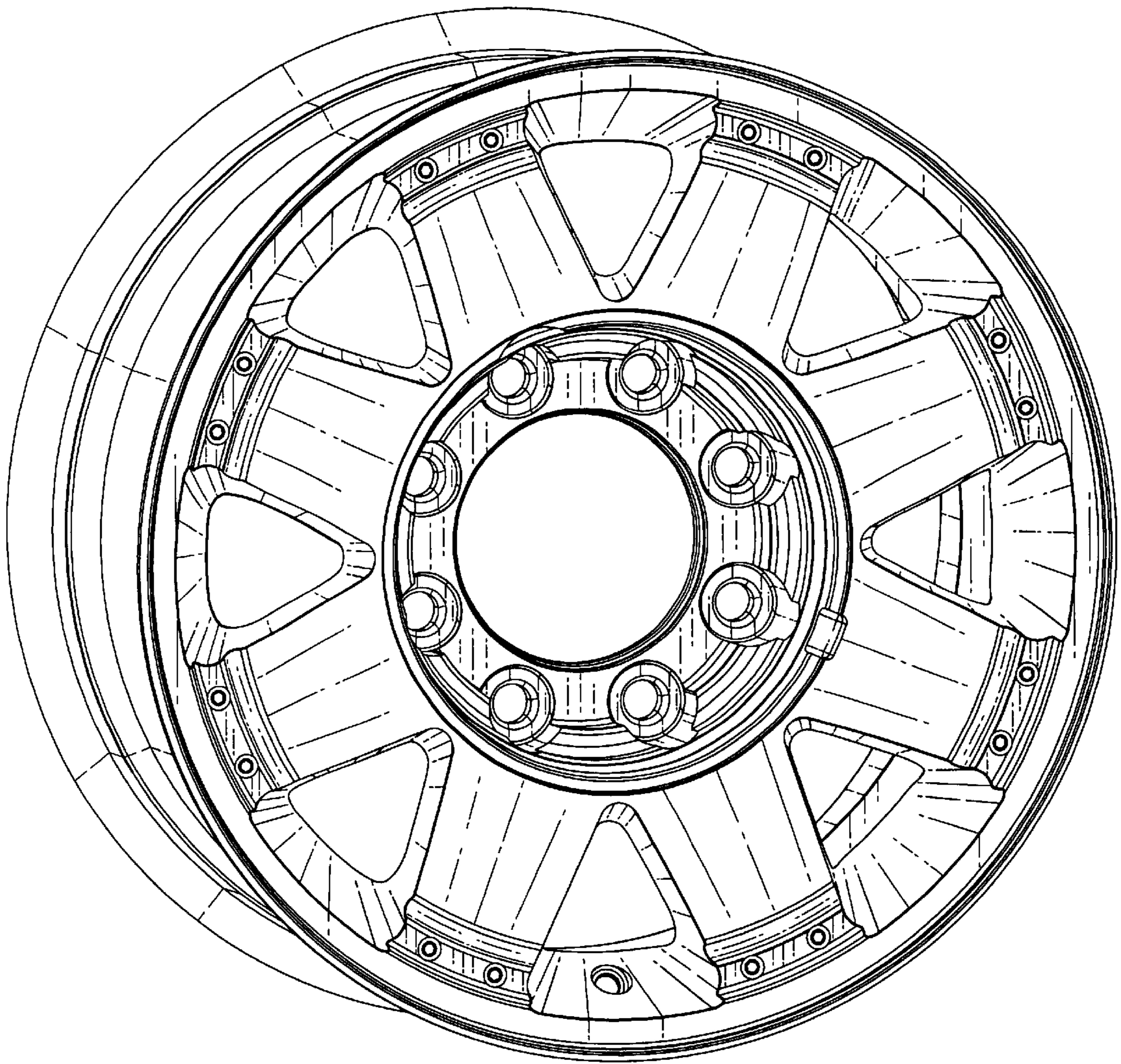


FIG. 2