



US00D480676S

(12) **United States Design Patent**  
**Bhambra**

(10) **Patent No.:** **US D480,676 S**

(45) **Date of Patent:** **\*\* Oct. 14, 2003**

(54) **FRONT FACE OF A VEHICLE WHEEL**

(75) **Inventor:** **Randjit Bhambra,**  
Tiefenbronn-Mühlhausen (DE)

(73) **Assignee:** **Dr. Ing. h.c.F. Porsche**  
**Aktiengesellschaft, Stuttgart (DE)**

(\*\*) **Term:** **14 Years**

(21) **Appl. No.:** **29/167,289**

(22) **Filed:** **Sep. 12, 2002**

(30) **Foreign Application Priority Data**

Mar. 15, 2002 (DE) ..... 4 02 02 481

(51) **LOC (7) Cl.** ..... **12-16**

(52) **U.S. Cl.** ..... **D12/211**

(58) **Field of Search** ..... D12/204-211;  
301/37.101, 64.101, 65

(56) **References Cited**

**U.S. PATENT DOCUMENTS**

- D267,564 S \* 1/1983 Wright ..... D12/211
- D361,547 S \* 8/1995 Weld ..... D12/211
- D384,320 S \* 9/1997 Bhambra ..... D12/209

- D396,682 S \* 8/1998 Sacco et al. .... D12/209
- D402,952 S \* 12/1998 Sycha ..... D12/211
- D413,851 S \* 9/1999 Donikoglu ..... D12/209
- D421,417 S \* 3/2000 Weidhase ..... D12/209
- D430,843 S \* 9/2000 Sands ..... D12/211
- D460,940 S \* 7/2002 Chung ..... D12/209
- D463,349 S \* 9/2002 Vian ..... D12/209
- D466,853 S \* 12/2002 Maifrini ..... D12/211
- D471,851 S \* 3/2003 McMath ..... D12/209

\* cited by examiner

*Primary Examiner*—Stacia Cadmus

(74) *Attorney, Agent, or Firm*—Crowell & Moring LLP

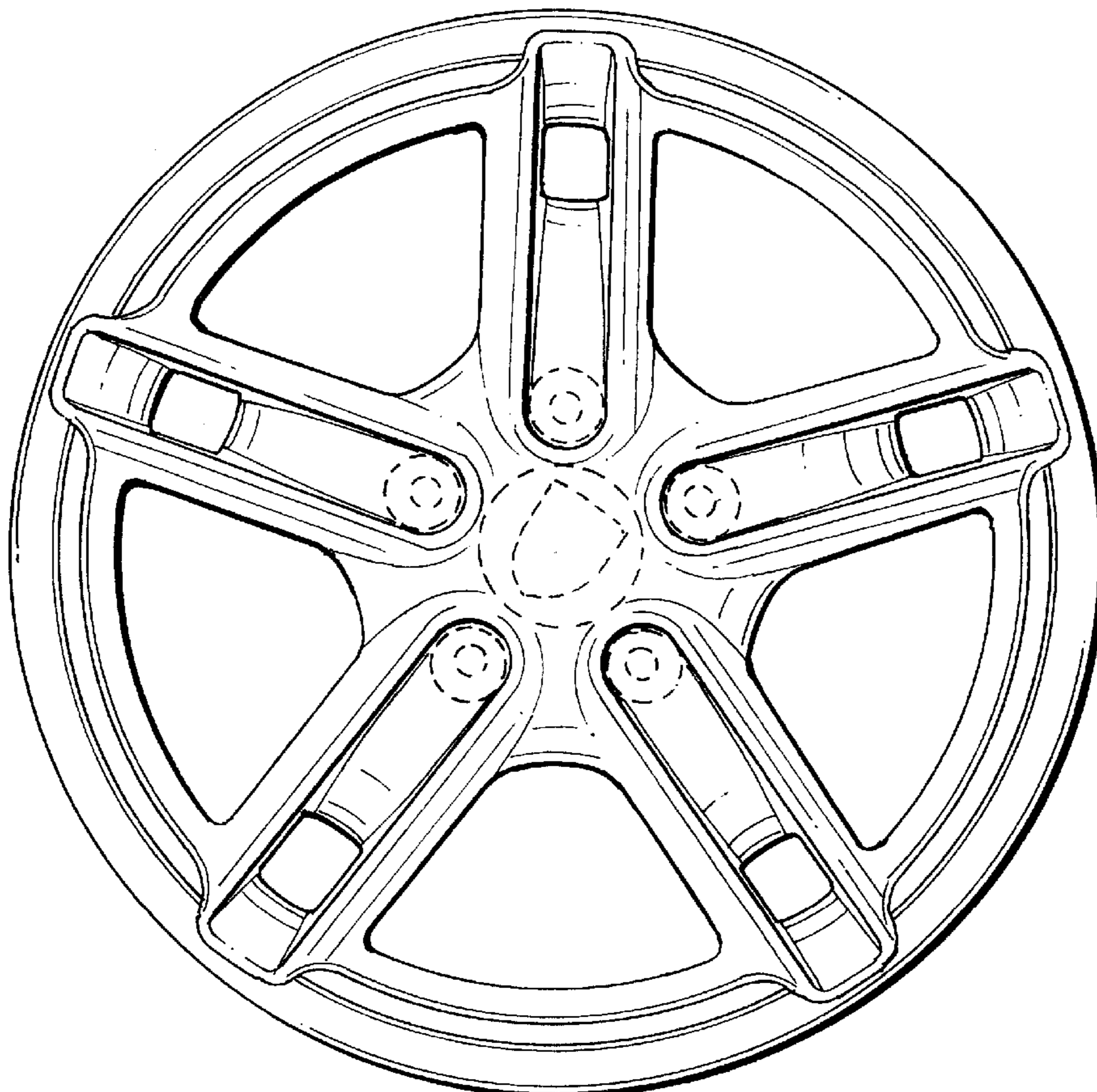
(57) **CLAIM**

The ornamental design for a front face of a vehicle wheel, as shown and described.

**DESCRIPTION**

FIG. 1 is a front view of a front face of a vehicle wheel according to my novel design; and, FIG. 2 is a perspective view of the front face of a vehicle wheel according to my novel design. The dash lines included depict environment and are not part of the claimed design.

**1 Claim, 1 Drawing Sheet**



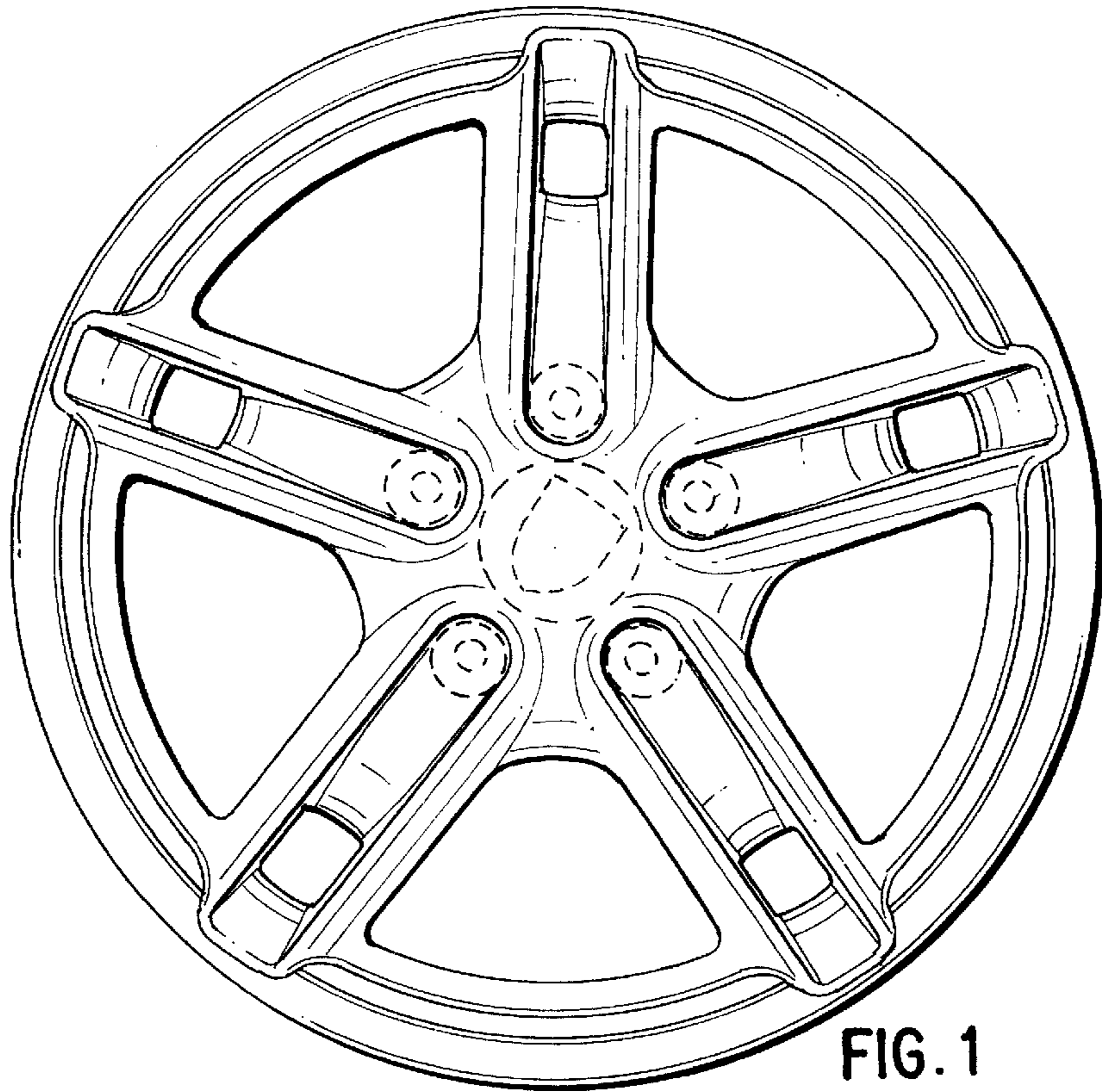


FIG. 1

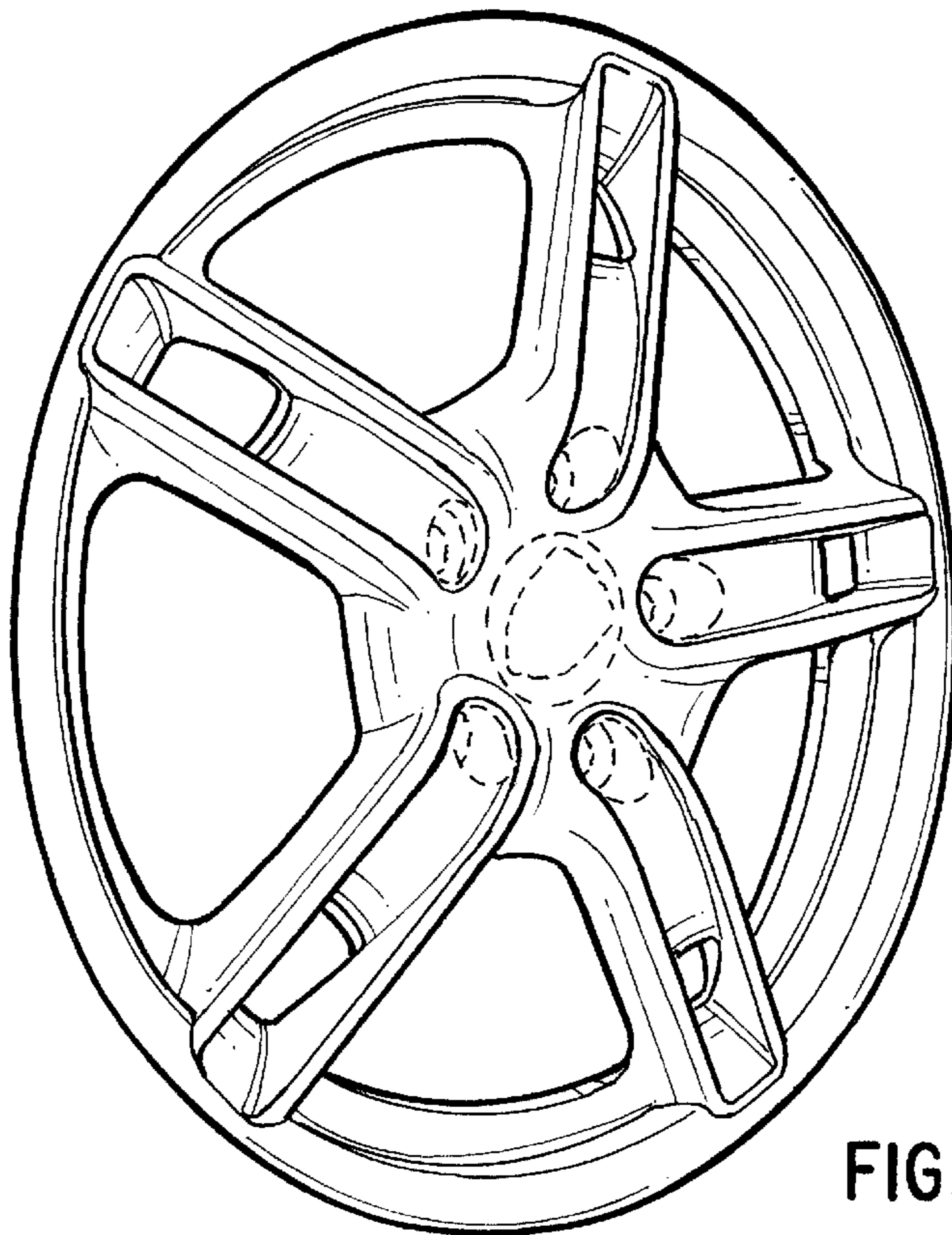


FIG. 2