



US00D480675S

(12) **United States Design Patent**
Pfeiffer et al.

(10) **Patent No.:** **US D480,675 S**

(45) **Date of Patent:** **** Oct. 14, 2003**

(54) **FRONT FACE OF A VEHICLE WHEEL**

(75) Inventors: **Peter Pfeiffer**, Boeblingen (DE); **Murat Guenak**, Ehningen (DE); **Hans-Dieter Futschik**, Gechingen (DE)

(73) Assignee: **DaimlerChrysler AG**, Stuttgart (DE)

(**) Term: **14 Years**

(21) Appl. No.: **29/162,478**

(22) Filed: **Jun. 18, 2002**

(30) **Foreign Application Priority Data**

Jan. 21, 2002 (DE) 4 02 00 419

(51) **LOC (7) Cl.** **12-16**

(52) **U.S. Cl.** **D12/211**

(58) **Field of Search** D12/204-211;
301/37.101, 64.101, 65

(56) **References Cited**

U.S. PATENT DOCUMENTS

- D84,318 S * 6/1931 Beutke et al. D12/211
- D84,320 S * 6/1931 Beutke et al. D12/211
- D84,321 S * 6/1931 Beutke et al. D12/211
- D99,805 S * 5/1936 Horn D12/209

- D237,703 S * 11/1975 Clement et al. D12/211
- D248,551 S * 7/1978 Sekido et al. D12/211
- D260,984 S * 9/1981 Jonsson D12/209
- D277,274 S * 1/1985 Frazee et al. D12/211
- D325,018 S * 3/1992 Nordmann D12/209
- D325,019 S * 3/1992 Boyer D12/211
- D401,899 S * 12/1998 Pfeiffer D12/209
- D427,131 S * 6/2000 Wang D12/211
- D451,066 S * 11/2001 Pfeiffer et al. D12/211

* cited by examiner

Primary Examiner—Stacia Cadmus

(74) *Attorney, Agent, or Firm*—Crowell & Moring LLP

(57) **CLAIM**

The ornamental design for a front face of a vehicle wheel, as shown and described.

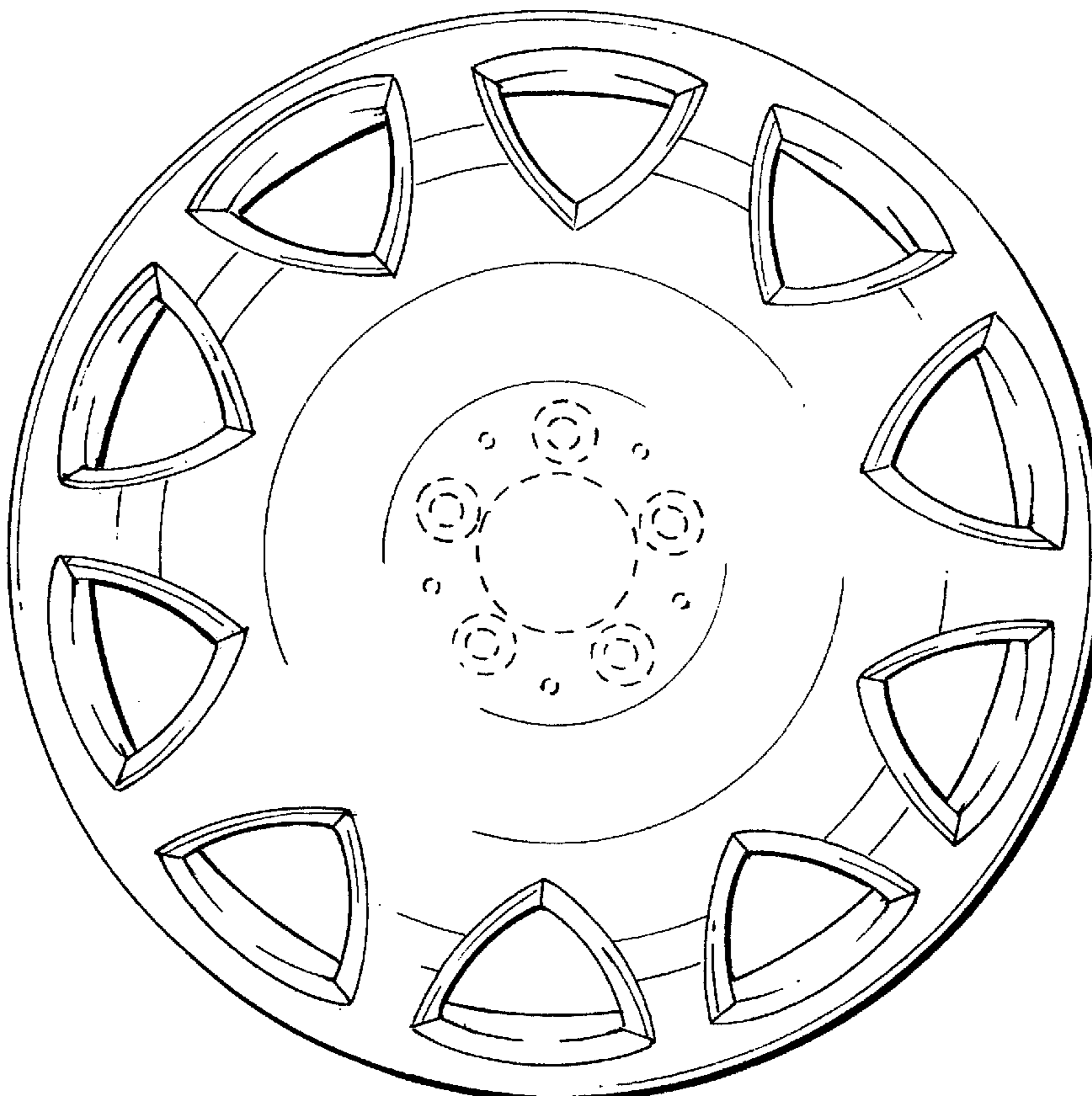
DESCRIPTION

FIG. 1 is a front view of a front face of a vehicle wheel according to our novel design; and,

FIG. 2 is a perspective view of the front face of a vehicle wheel according to our novel design.

The dash lines included depict environment and are not part of the claimed design.

1 Claim, 1 Drawing Sheet



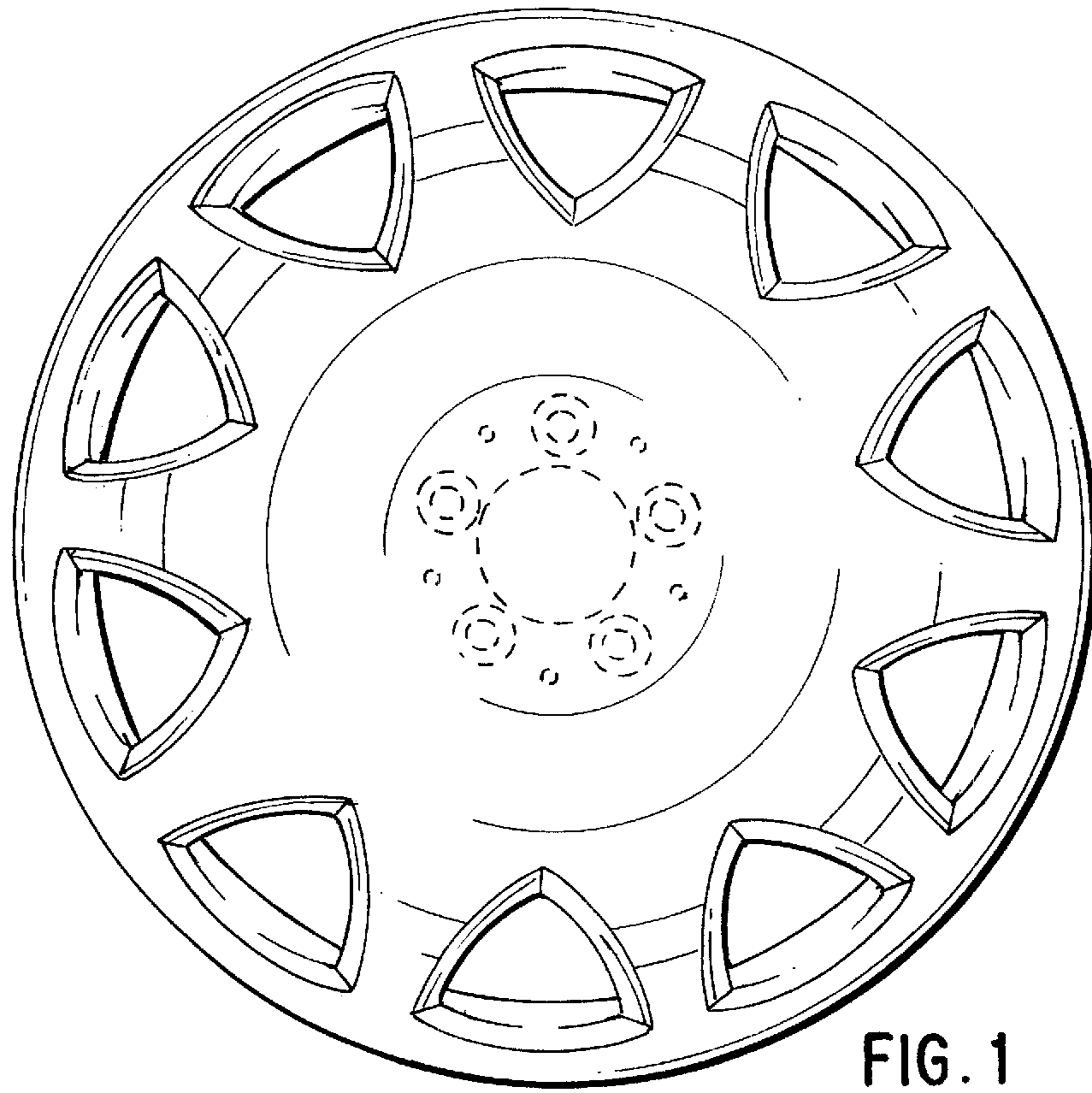


FIG. 1

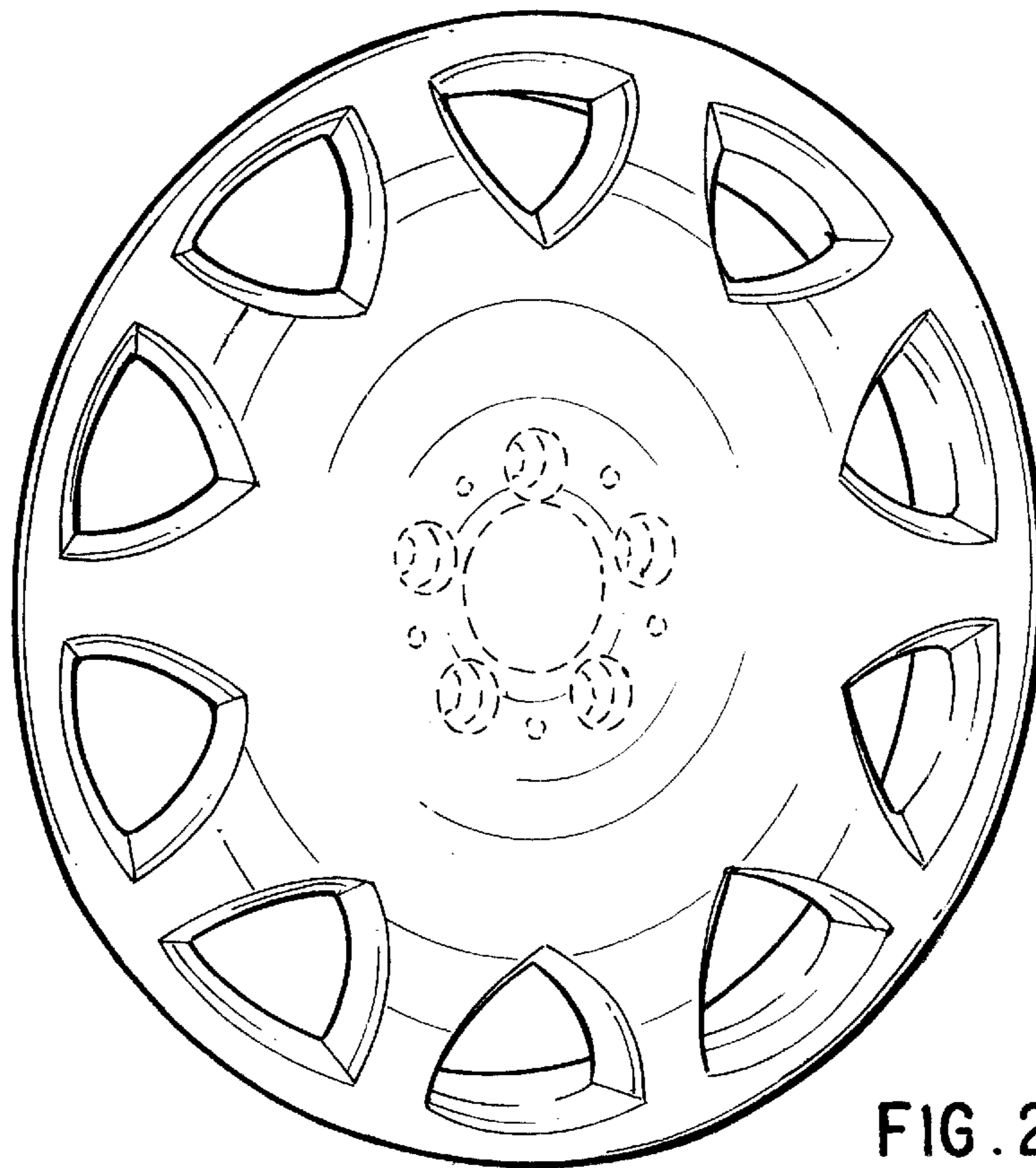


FIG. 2