



US00D480674S

(12) **United States Design Patent**  
**Lecher et al.**

(10) **Patent No.:** **US D480,674 S**

(45) **Date of Patent:** **\*\* Oct. 14, 2003**

(54) **FRONT FACE OF A VEHICLE WHEEL**

(75) Inventors: **Franz Lecher**, Sindelfingen (DE);  
**Michael Plessing**, Renningen (DE)

(73) Assignee: **DaimlerChrysler AG**, Stuttgart (DE)

(\*\*) Term: **14 Years**

(21) Appl. No.: **29/169,614**

(22) Filed: **Oct. 24, 2002**

(65) **Prior Publication Data**

(65)

(30) **Foreign Application Priority Data**

Apr. 25, 2002 (DE) ..... 4 02 03 625

(51) **LOC (7) Cl.** ..... **12-16**

(52) **U.S. Cl.** ..... **D12/209**

(58) **Field of Search** ..... D12/204-211;  
301/37.101, 64.101, 65

(56) **References Cited**

**U.S. PATENT DOCUMENTS**

- D418,798 S \* 1/2000 Muzzarelli et al. .... D12/211
- D423,441 S \* 4/2000 Bildhaeuser ..... D12/209
- D431,807 S \* 10/2000 Fitzgerald ..... D12/211

- D432,970 S \* 10/2000 Pfeiffer et al. .... D12/209
- D436,567 S \* 1/2001 Takechi ..... D12/209
- D444,118 S \* 6/2001 Chung ..... D12/211
- D461,756 S \* 8/2002 Hieke ..... D12/211
- D466,460 S \* 12/2002 Kataoka ..... D12/209
- D467,856 S \* 12/2002 Pfeiffer ..... D12/209

\* cited by examiner

*Primary Examiner*—Stacia Cadmus

(74) *Attorney, Agent, or Firm*—Crowell & Moring LLP

(57) **CLAIM**

The ornamental design for a front face of a vehicle wheel, as shown and described.

**DESCRIPTION**

FIG. 1 is a front view of a first embodiment of a front face of a vehicle wheel according to our novel design;

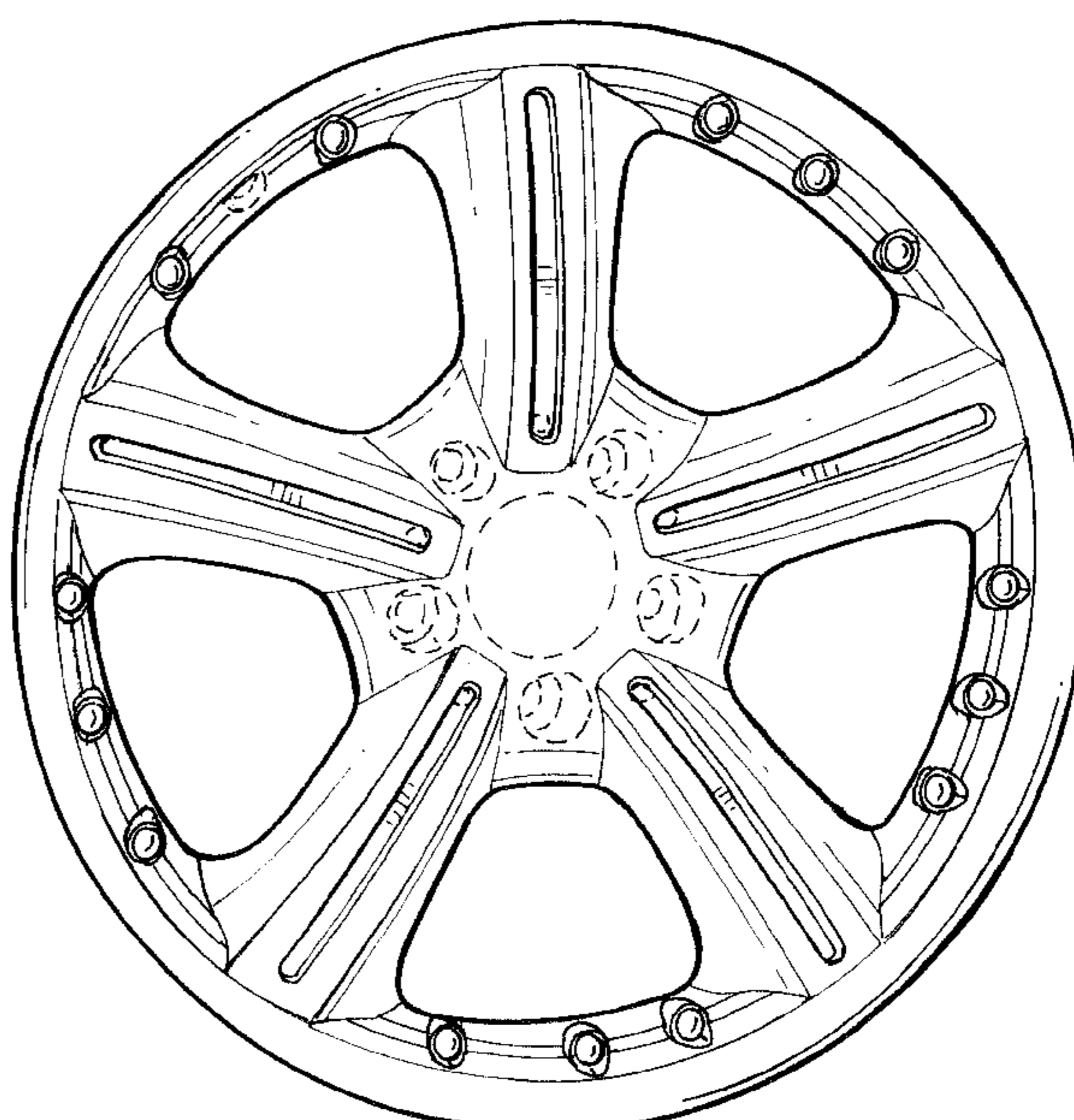
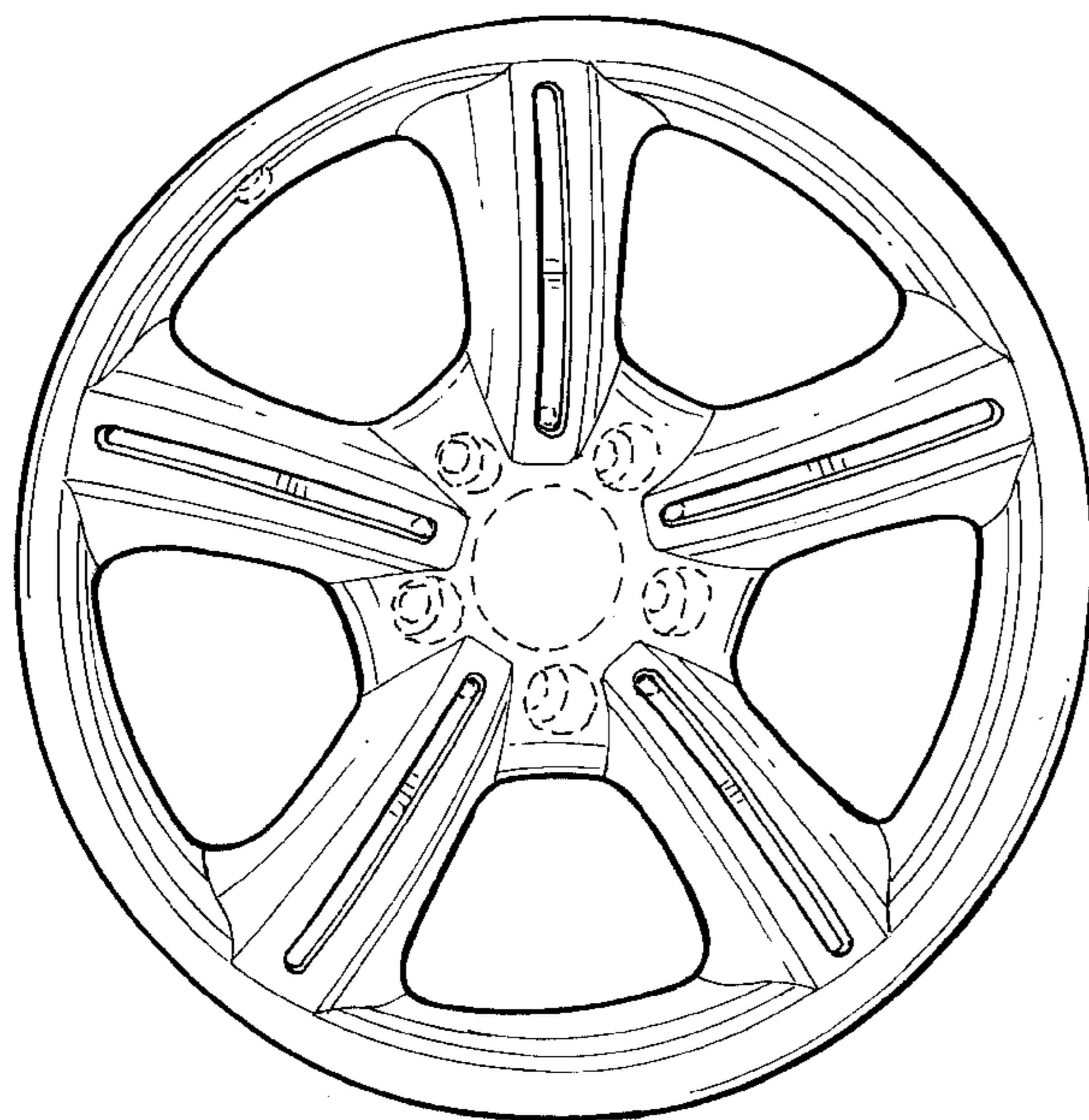
FIG. 2 is a perspective view of the first embodiment of the front face of a vehicle wheel according to our novel design;

FIG. 3 is a front view of a second embodiment of the front face of a vehicle wheel according to our novel design; and,

FIG. 4 is a perspective view of the second embodiment of the front face of a vehicle wheel according to our novel design.

The dash lines included depict environment and are not part of the claimed design.

**1 Claim, 2 Drawing Sheets**



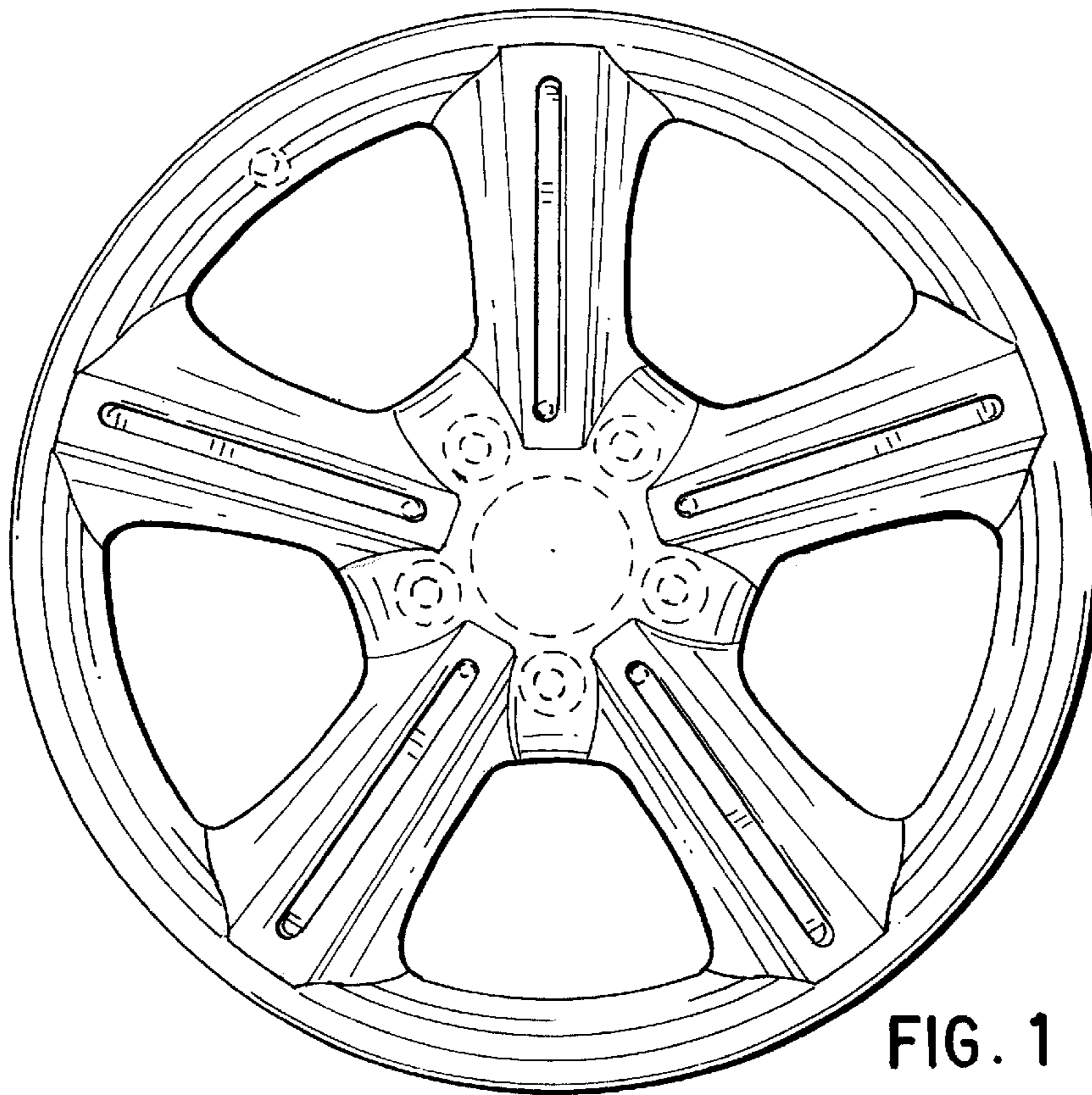


FIG. 1

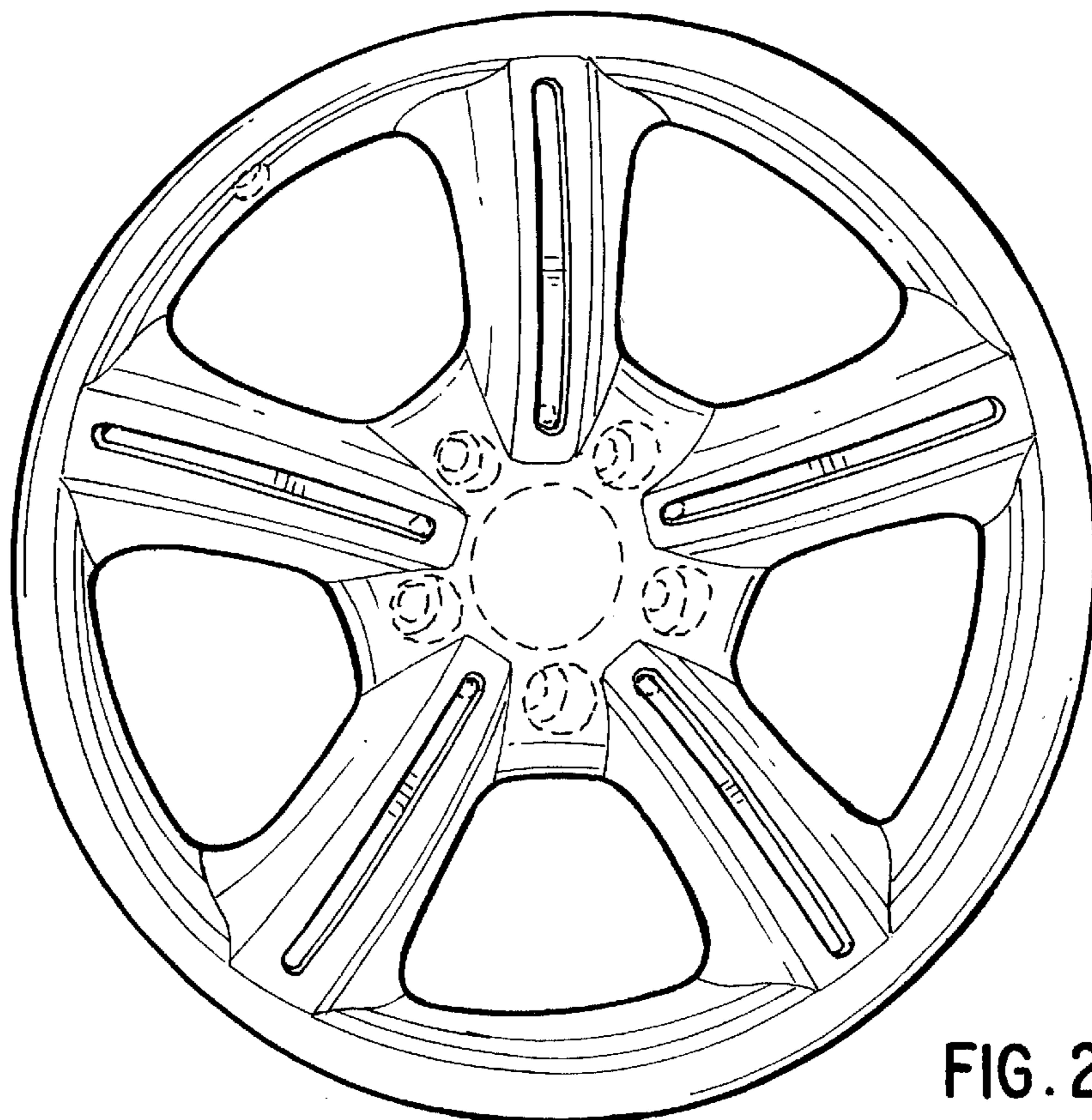


FIG. 2

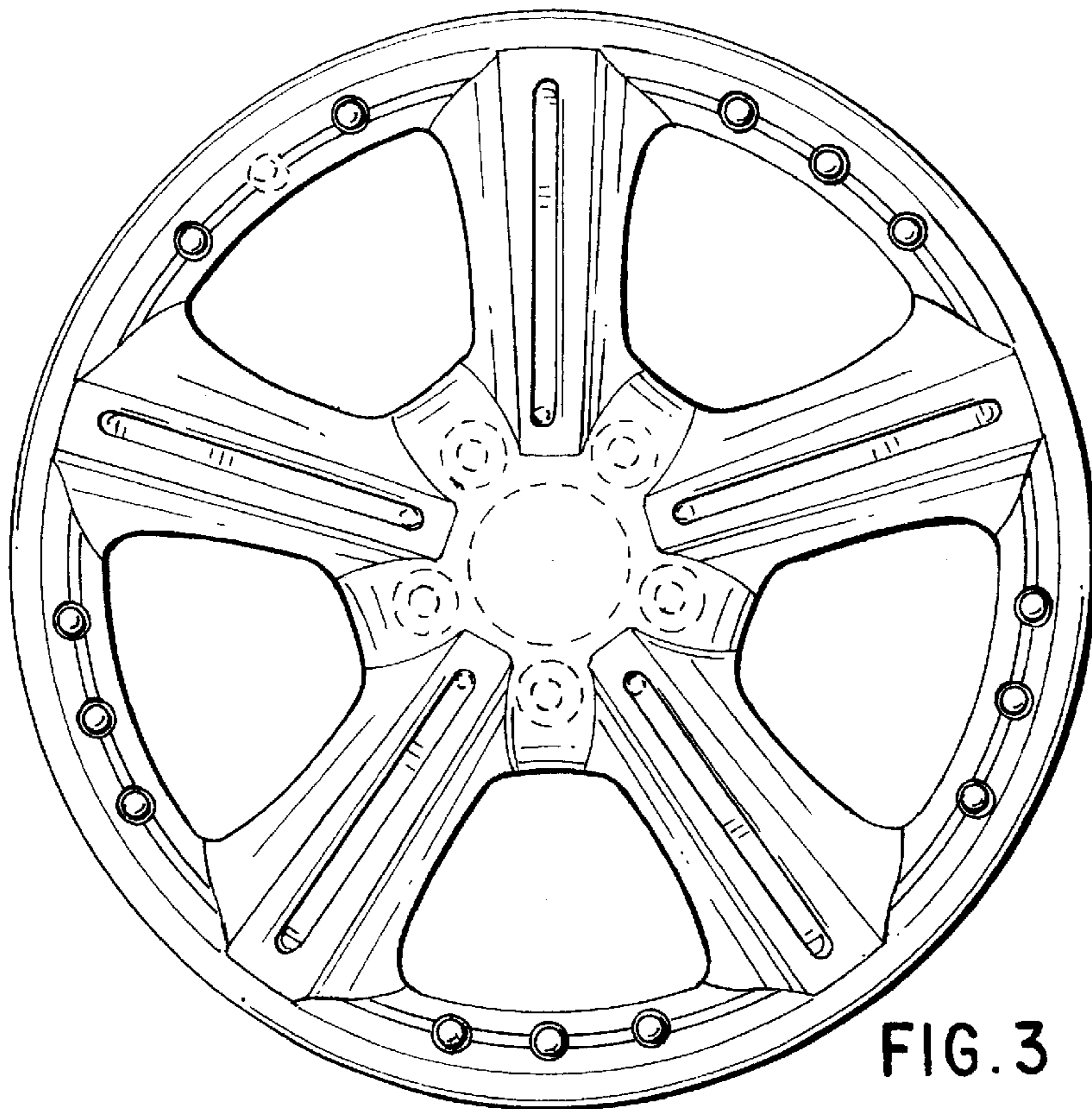


FIG. 3

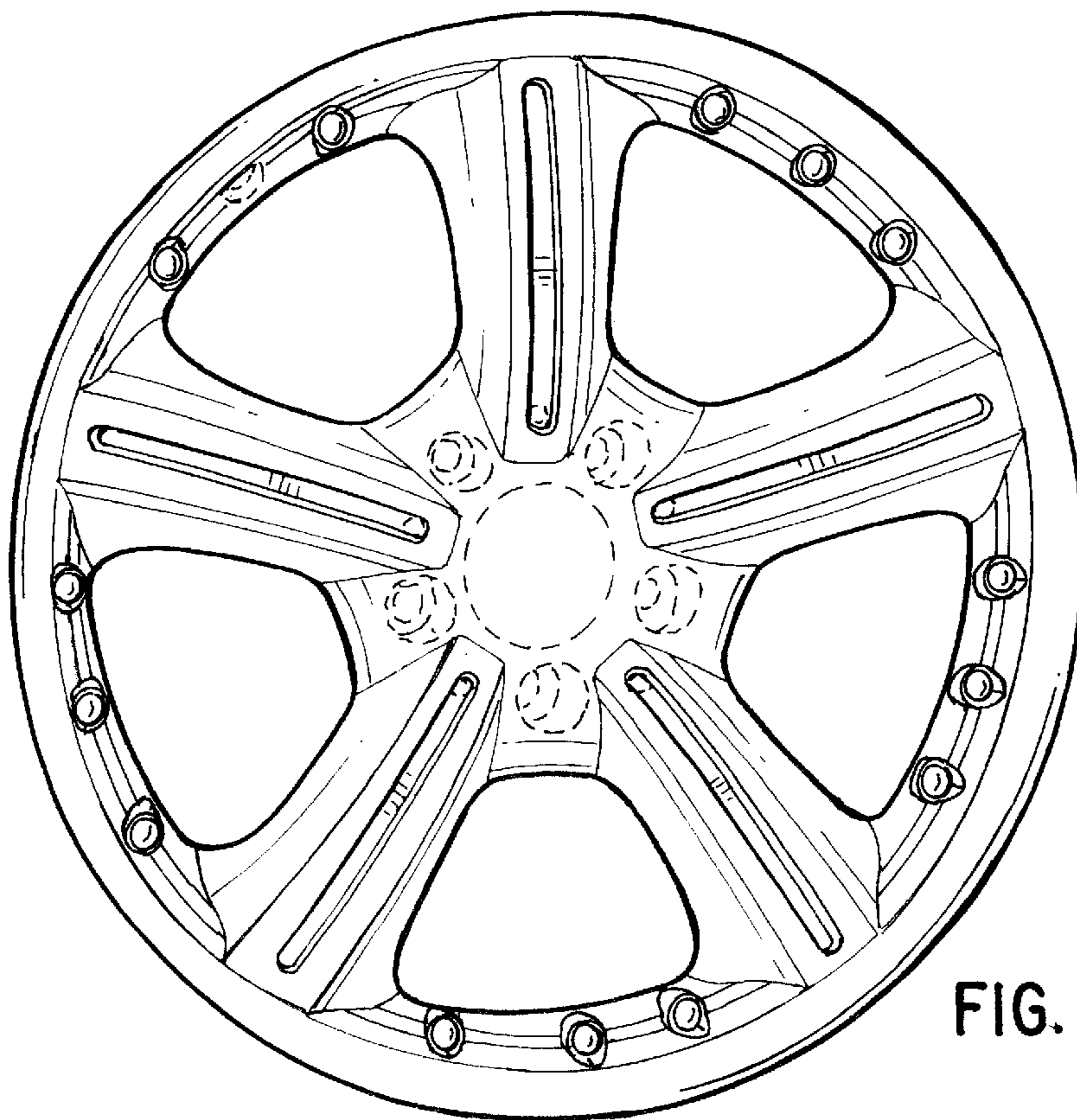


FIG. 4