



US00D480673S

(12) **United States Design Patent**
Bhambra et al.

(10) **Patent No.:** **US D480,673 S**

(45) **Date of Patent:** **** Oct. 14, 2003**

(54) **FRONT FACE OF A VEHICLE WHEEL**

(75) **Inventors:** **Randjit Bhambra,**
Tiefenbronn-Mühlhausen (DE); **Michael**
Gallert, Stuttgart (DE)

(73) **Assignee:** **Dr. Ing. h.c.F. Porsche**
Aktiengesellschaft, Stuttgart (DE)

(**) **Term:** **14 Years**

(21) **Appl. No.:** **29/156,546**

(22) **Filed:** **Mar. 5, 2002**

(30) **Foreign Application Priority Data**

Sep. 5, 2001 (DE) 4 01 07 848

(51) **LOC (7) Cl.** **12-16**

(52) **U.S. Cl.** **D12/209**

(58) **Field of Search** D12/204-211;
301/37.101, 64.101, 65

(56) **References Cited**

U.S. PATENT DOCUMENTS

- D361,976 S * 9/1995 Echazabal et al. D12/211
- D367,031 S * 2/1996 Hubbach D12/209
- D375,073 S * 10/1996 Theiss D12/209

- D401,205 S * 11/1998 Fischer D12/209
- D452,210 S * 12/2001 Bernoni D12/209
- D452,838 S * 1/2002 Hieke D12/209
- D458,886 S * 6/2002 Bhambra D12/209
- D460,941 S * 7/2002 Muzzarelli D12/211
- D461,153 S * 8/2002 Koyama D12/209
- D461,440 S * 8/2002 Koch D12/211
- D462,309 S * 9/2002 Hieke D12/211
- D464,305 S * 10/2002 Chung D12/209

* cited by examiner

Primary Examiner—Stacia Cadmus

(74) *Attorney, Agent, or Firm*—Crowell & Moring LLP

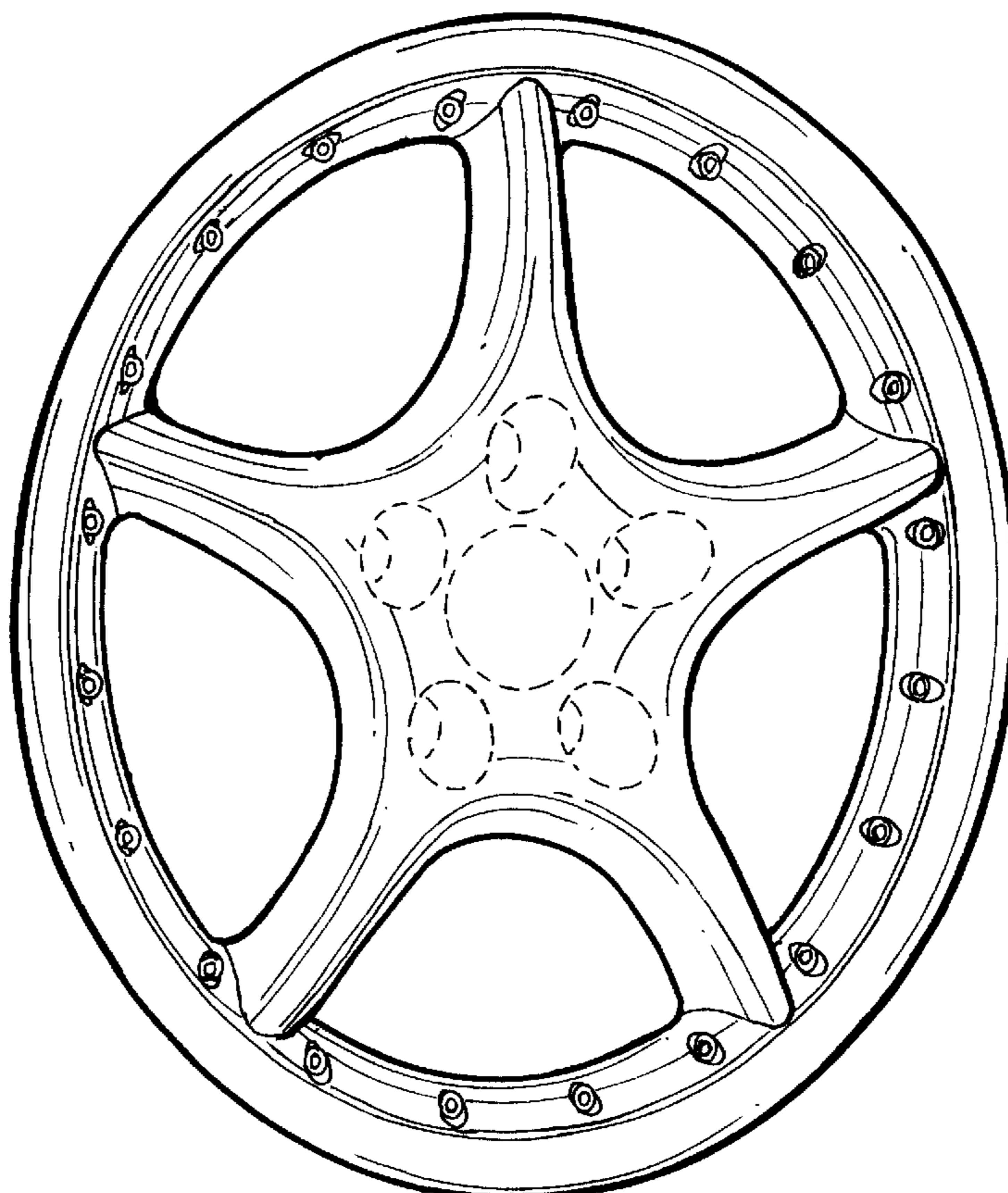
(57) **CLAIM**

The ornamental design for a front face of a vehicle wheel, as shown and described.

DESCRIPTION

FIG. 1 is a front view of a front face of a vehicle wheel according to our novel design; and, FIG. 2 is a perspective view of the front face of a vehicle wheel according to our novel design. The dash lines included depict environment and are not part of the claimed design. Also enclosed is a set of photographs of an embodiment of our invention.

1 Claim, 1 Drawing Sheet



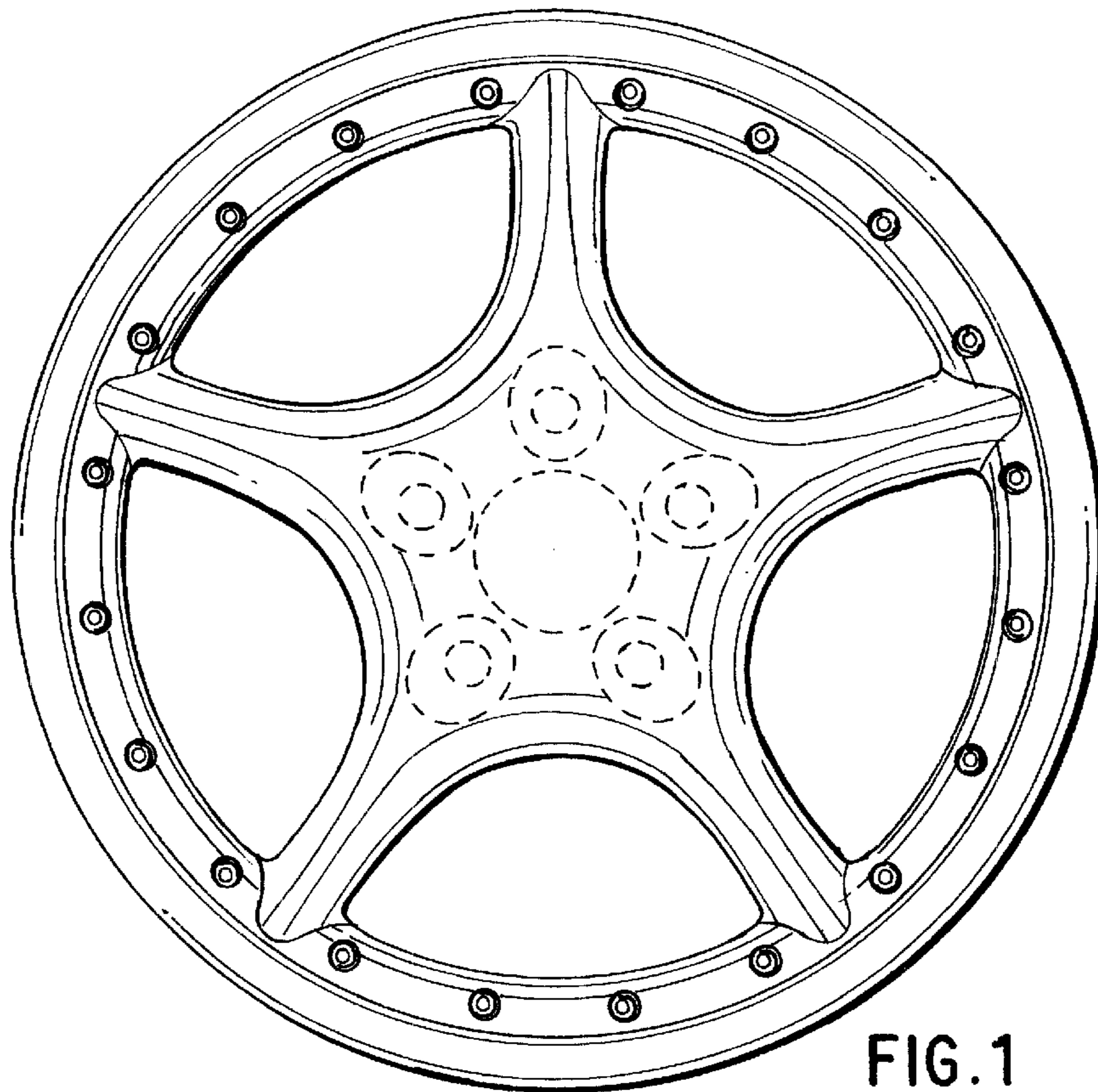


FIG. 1

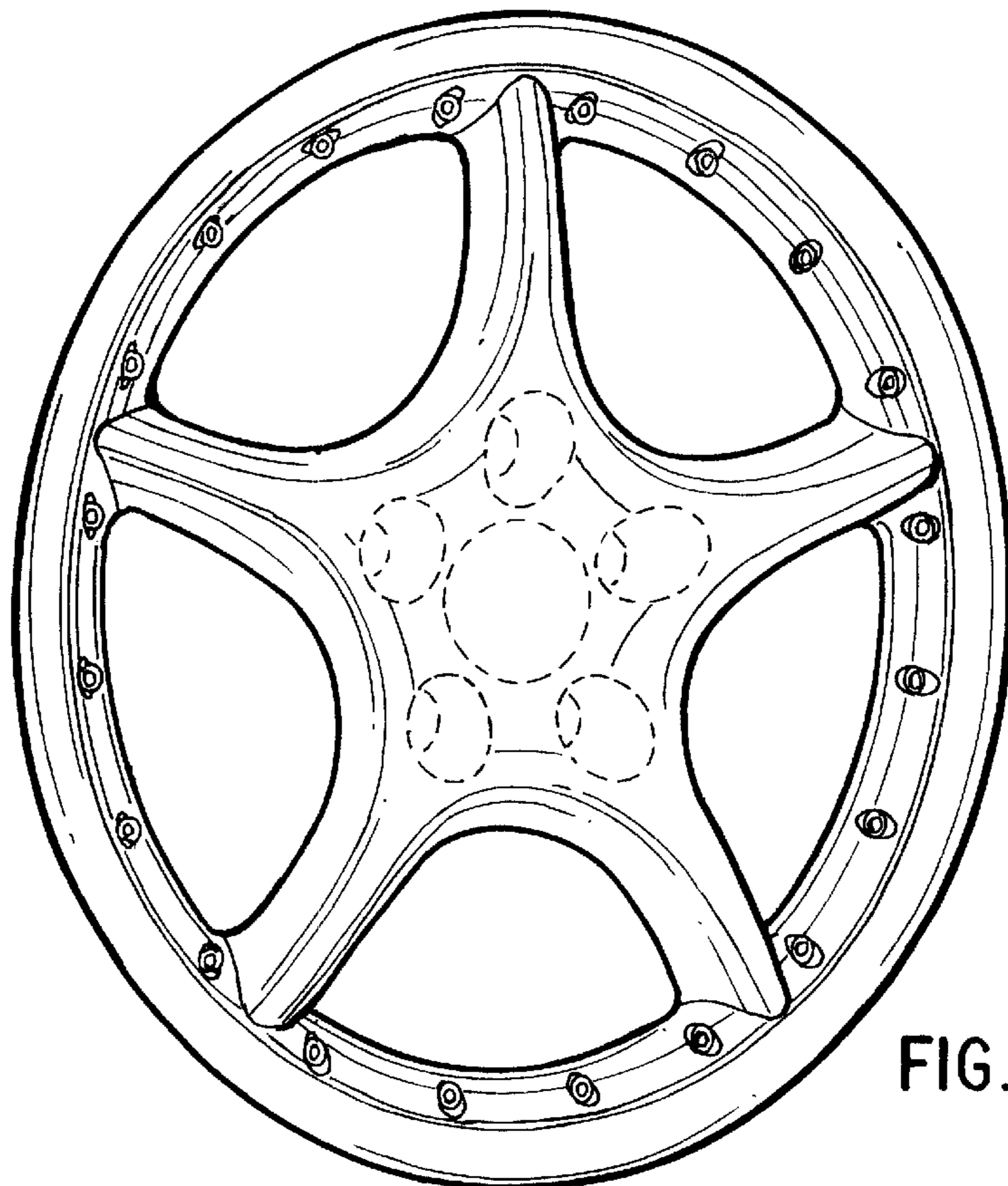


FIG. 2